



US00D335398S

# United States Patent [19]

[11] Patent Number: **Des. 335,398**

**Heidmann**

[45] Date of Patent: **\*\* May 11, 1993**

[54] **ARMCHAIR**

[75] Inventor: **Charles Heidmann, Strasbourg, France**

[73] Assignee: **Steelcase Strafor, Strasbourg, France**

[\*\*] Term: **14 Years**

[21] Appl. No.: **597,842**

[22] Filed: **Oct. 16, 1990**

[30] **Foreign Application Priority Data**

Apr. 20, 1990 [FR] France ..... 902813

[52] U.S. Cl. .... **D6/366; D6/365**

[58] Field of Search ..... **D6/334, 335, 365, 366; 297/301, 302, 421, 457**

[56] **References Cited**

**U.S. PATENT DOCUMENTS**

- D. 233,808 12/1974 Ruf ..... D6/366
- D. 245,378 8/1977 Roericht ..... D6/366
- D. 272,204 1/1984 De Boer ..... D6/366

- D. 318,184 7/1991 Muller-Deisig et al. .... D6/366
- 4,938,530 7/1990 Snyder et al. .... 297/457 X
- 5,112,210 5/1992 Naess ..... 297/301 X

**OTHER PUBLICATIONS**

*Interiors*, Feb. 1985, p. 31, "Persona" Chair, left center of page.

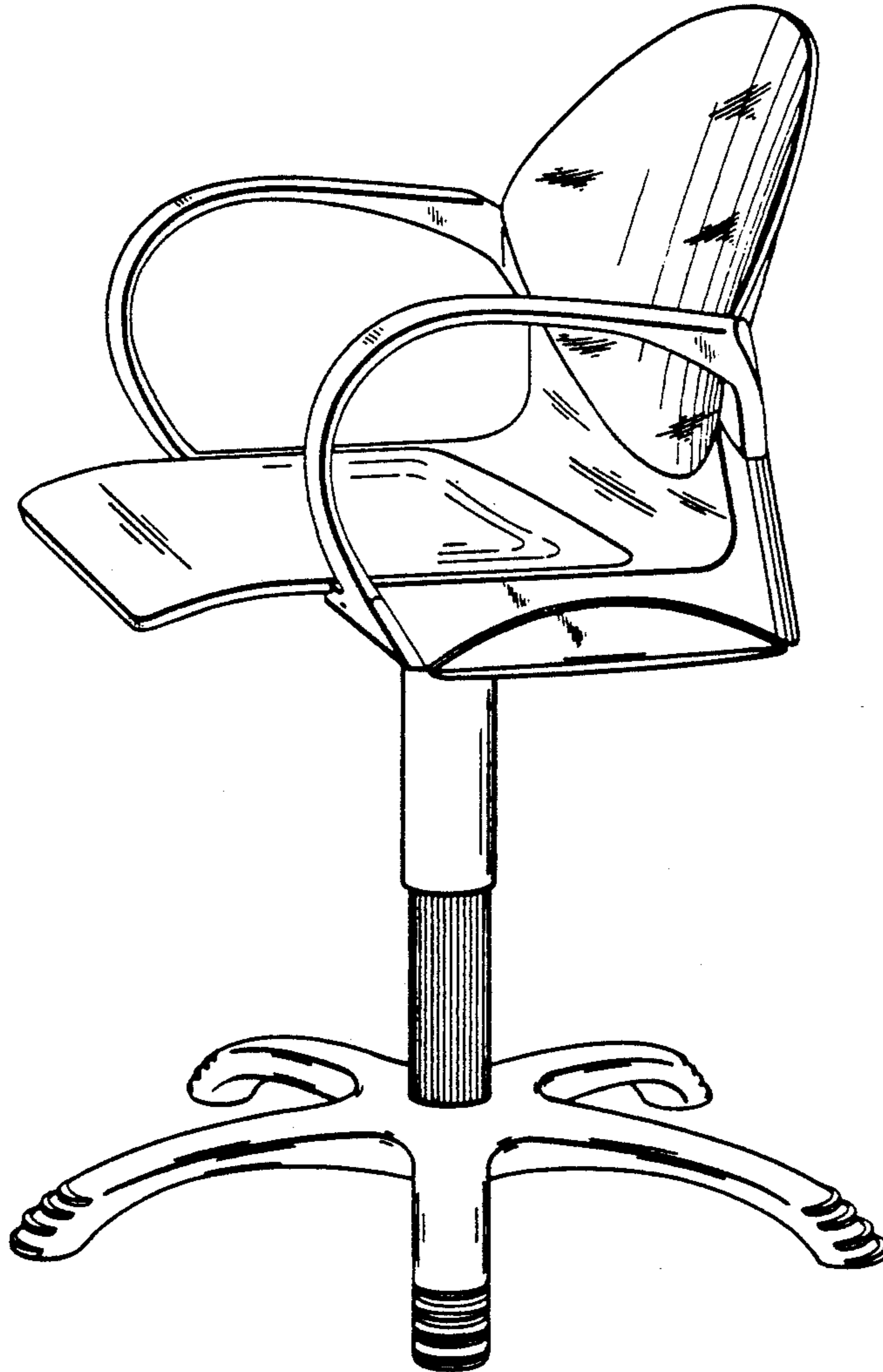
*Primary Examiner*—Alan P. Douglas  
*Assistant Examiner*—Monica A. Hannon

[57] **CLAIM**

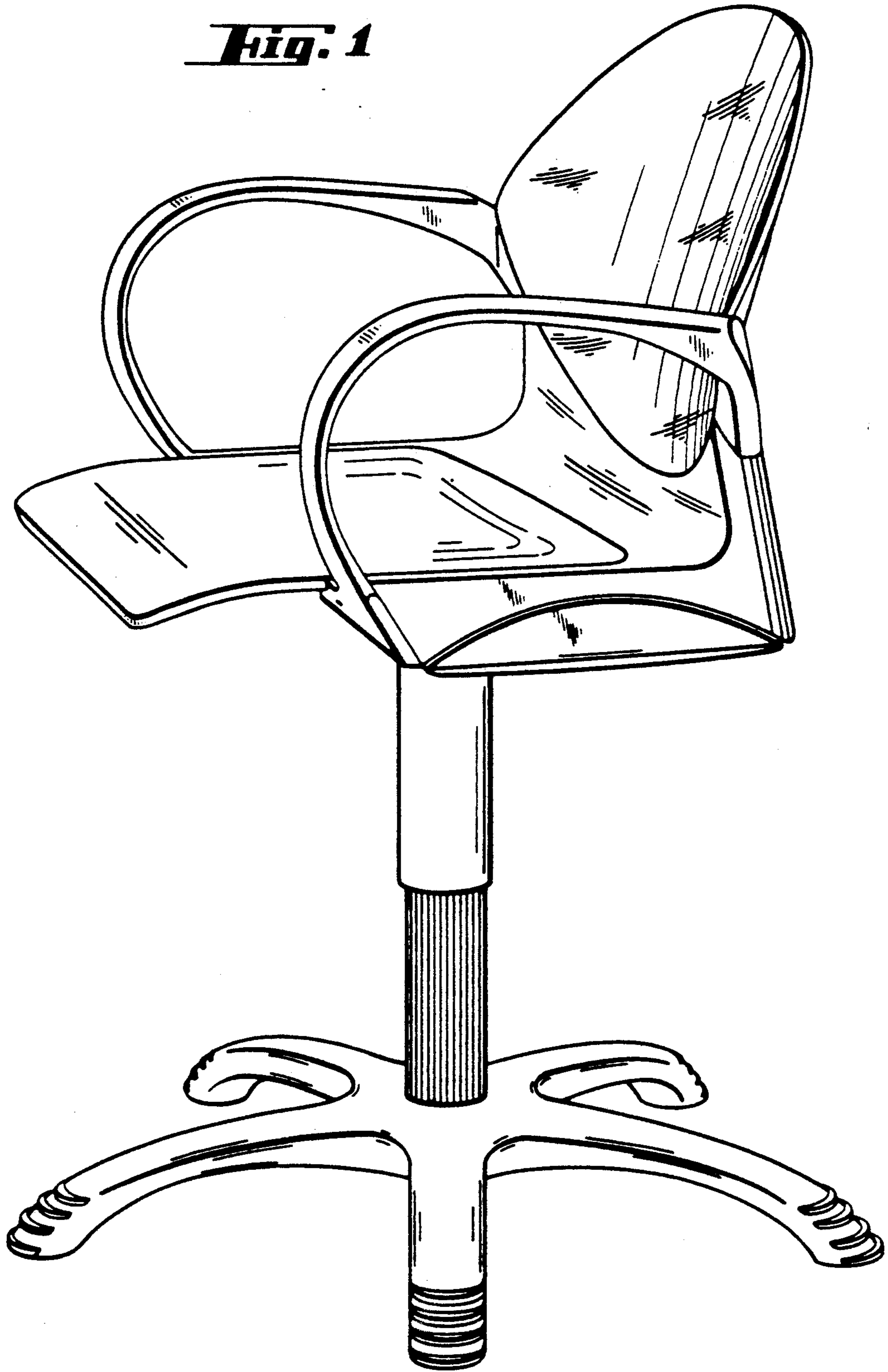
The ornamental design for an armchair, as shown.

**DESCRIPTION**

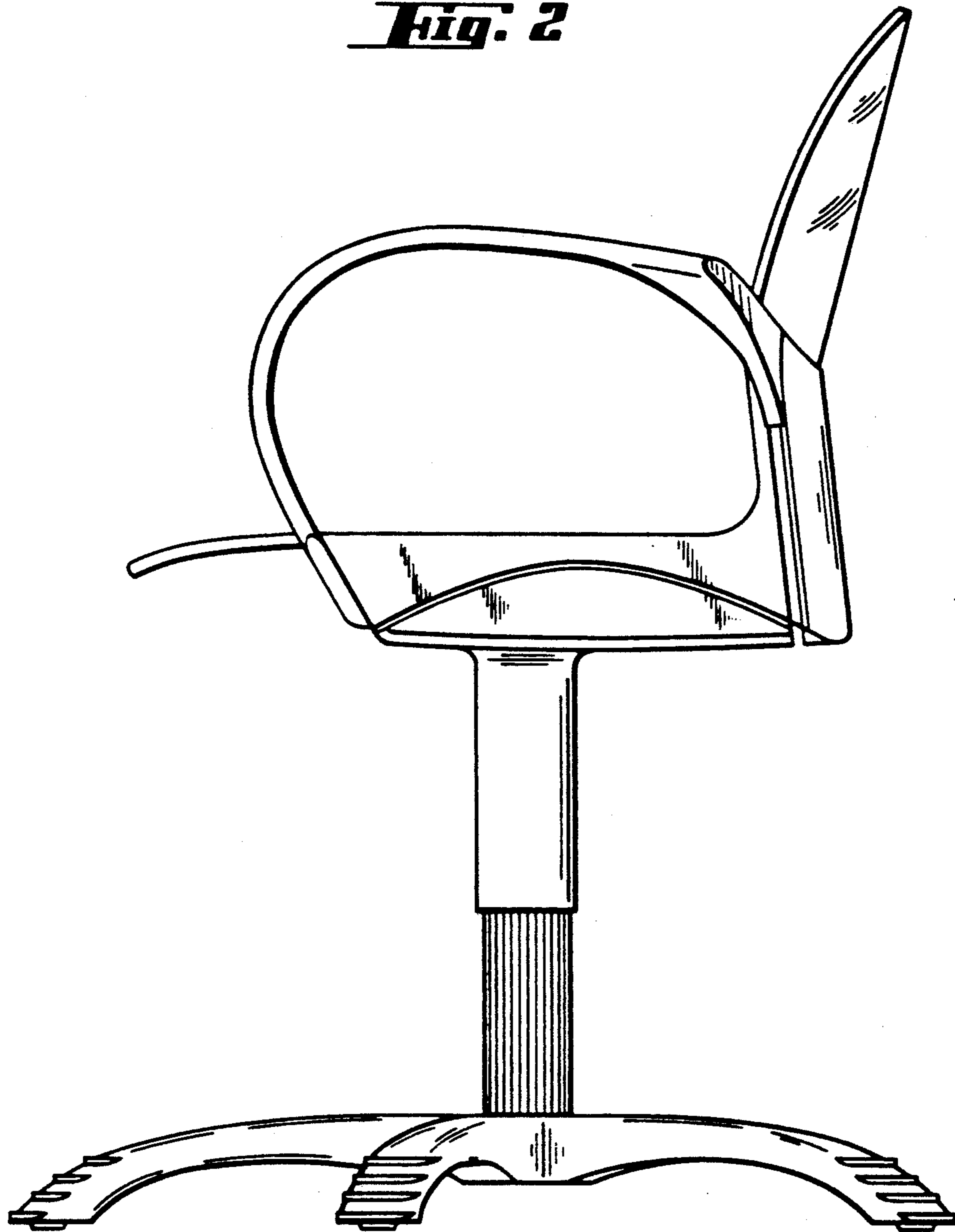
FIG. 1 is a front perspective view of an armchair showing my new design;  
 FIG. 2 is a right-end elevation thereof;  
 FIG. 3 is a front elevation view thereof;  
 FIG. 4 is a rear elevation view thereof;  
 FIG. 5 is a top plan view thereof;  
 FIG. 6 is a left-end elevation thereof; and,  
 FIG. 7 is a bottom plan view thereof.



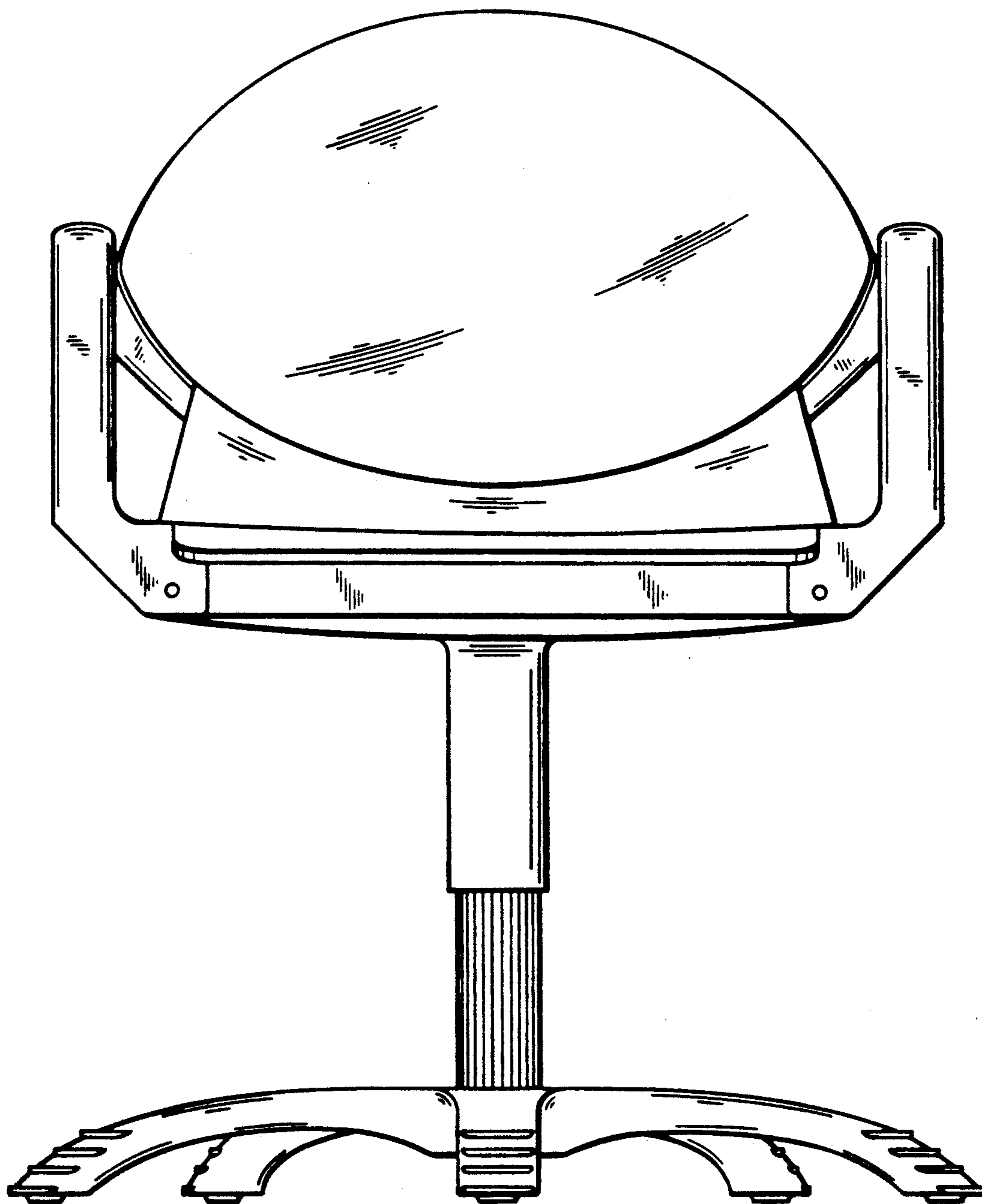
***Fig. 1***



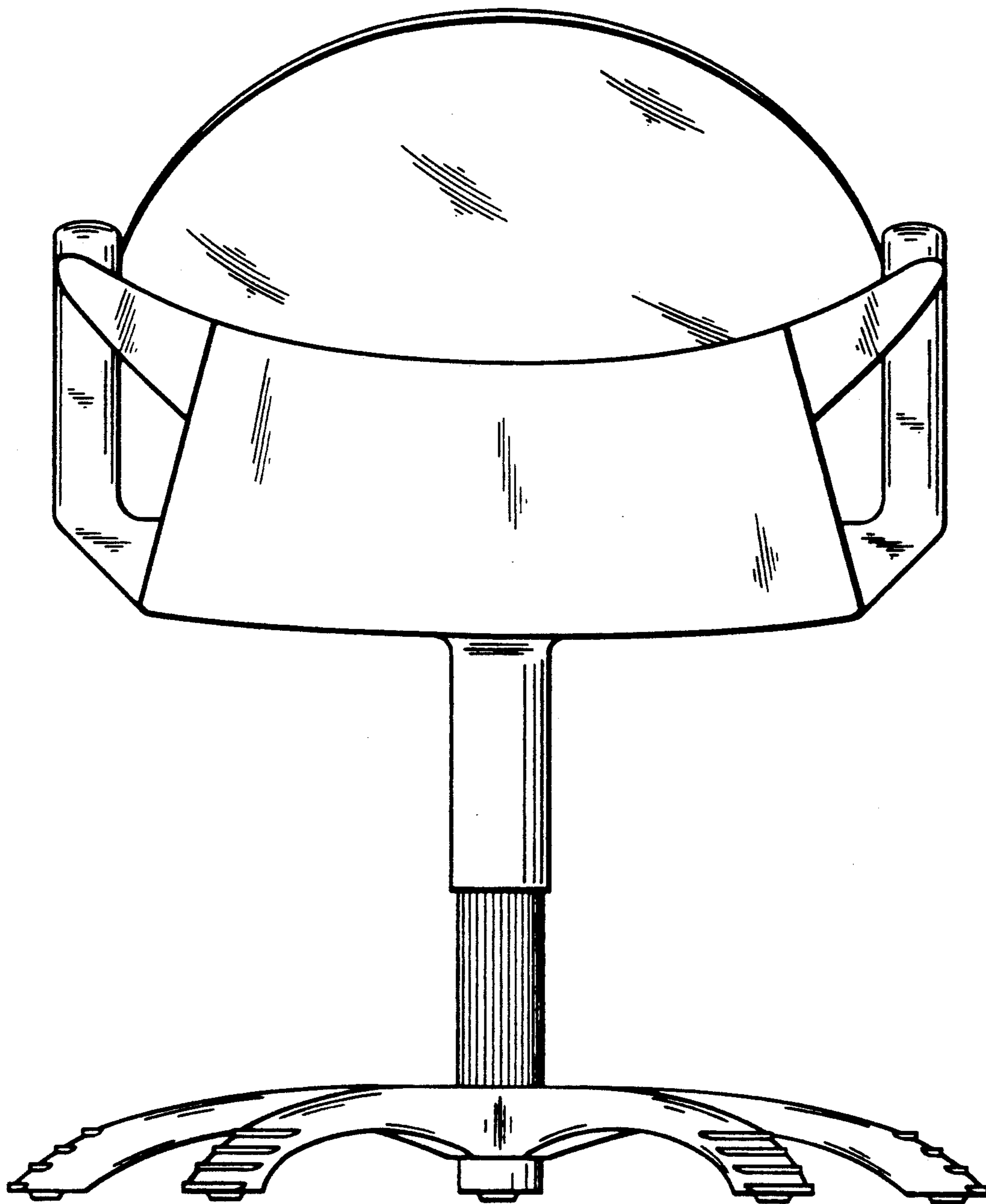
***Fig. 2***



***Fig. 3***

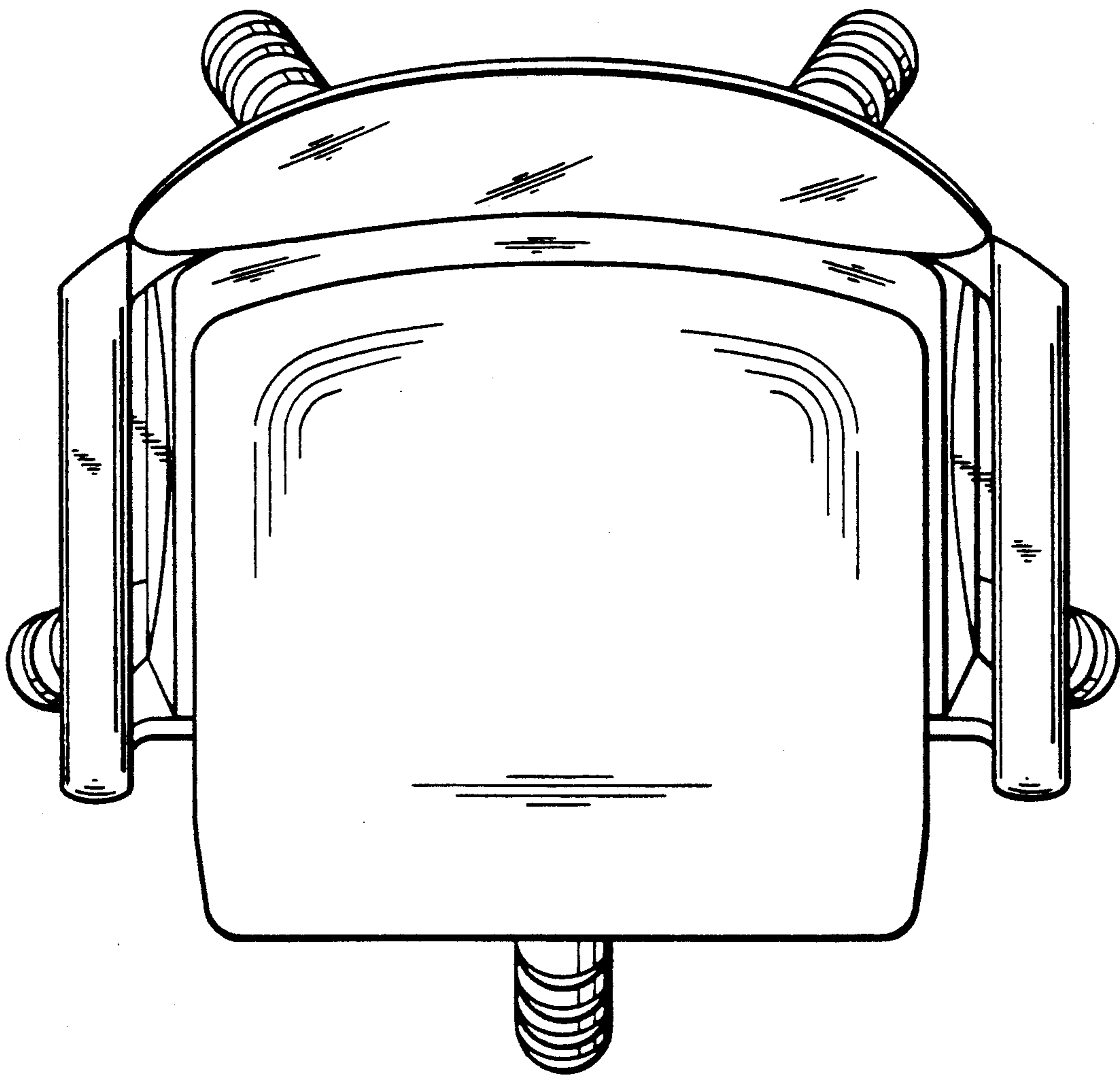


***Fig. 4***

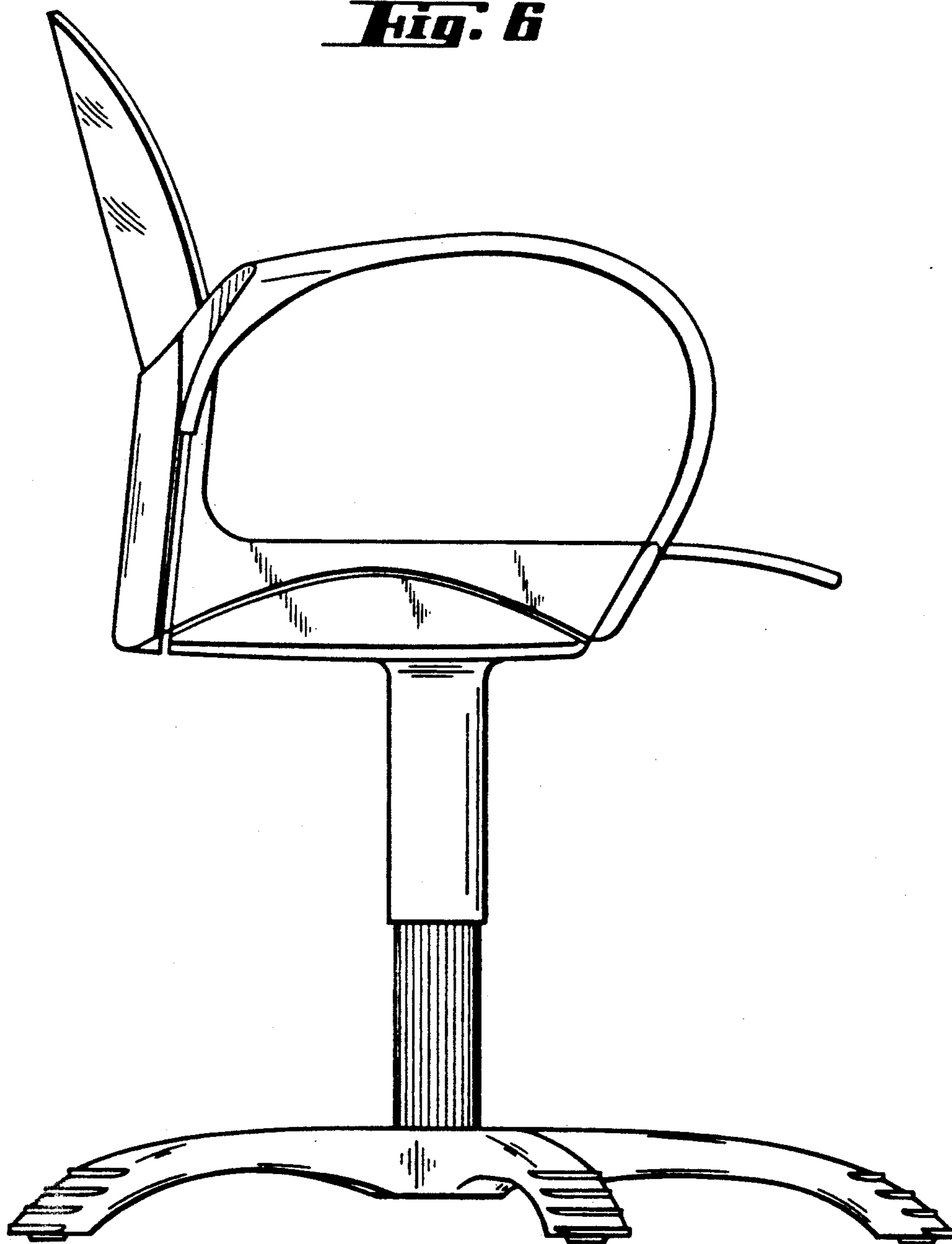




***Fig. 5***



***Fig. 6***



***Fig. 7***

