



US00D335394S

# United States Patent [19] Chamlian

[11] Patent Number: **Des. 335,394**

[45] Date of Patent: **\*\* May 11, 1993**

[54] **PICTURE FRAME**

[75] Inventor: **Maral Chamlian, Montreal, Canada**

[73] Assignee: **Zanazan U.S.A. Inc., Montréal, Canada**

[\*\*] Term: **14 Years**

[21] Appl. No.: **633,436**

[22] Filed: **Dec. 21, 1990**

[52] U.S. Cl. .... **D6/310; D6/300**

[58] Field of Search ..... **D6/300-314; 40/152, 152.1**

[56] **References Cited**

**U.S. PATENT DOCUMENTS**

D. 138,914	9/1944	Eubank	.....	D6/314
D. 174,226	3/1955	Houlihan	.....	D6/306
D. 296,843	7/1988	Tessop	.....	D6/314
D. 308,447	6/1990	Canetti	.....	D6/310
D. 308,449	6/1990	Canetti	.....	D6/310

**OTHER PUBLICATIONS**

Symbol Sourcebook, 1984 p. 86.

*Primary Examiner*—Bernard Ansher  
*Assistant Examiner*—Adir Aronovich  
*Attorney, Agent, or Firm*—ROBIC

[57] **CLAIM**

The ornamental design for a picture frame, as shown and described.

**DESCRIPTION**

FIG. 1 is a perspective view of a picture frame showing my new design;  
FIG. 2 is a rear view of the picture frame;  
FIG. 3 is a front view of the picture frame;  
FIG. 4 is a side view of the picture frame;  
FIG. 5 is a top view of the picture frame;  
FIG. 6 is a bottom view of the picture frame;  
FIG. 7 is a second embodiment of the picture frame shown in FIG. 1;  
FIG. 8 is a rear view of the embodiment;  
FIG. 9 is a front view of the embodiment;  
FIG. 10 is a side view of the embodiment;  
FIG. 11 is a top view of the embodiment; and,  
FIG. 12 is a bottom view of the embodiment of the picture frame.

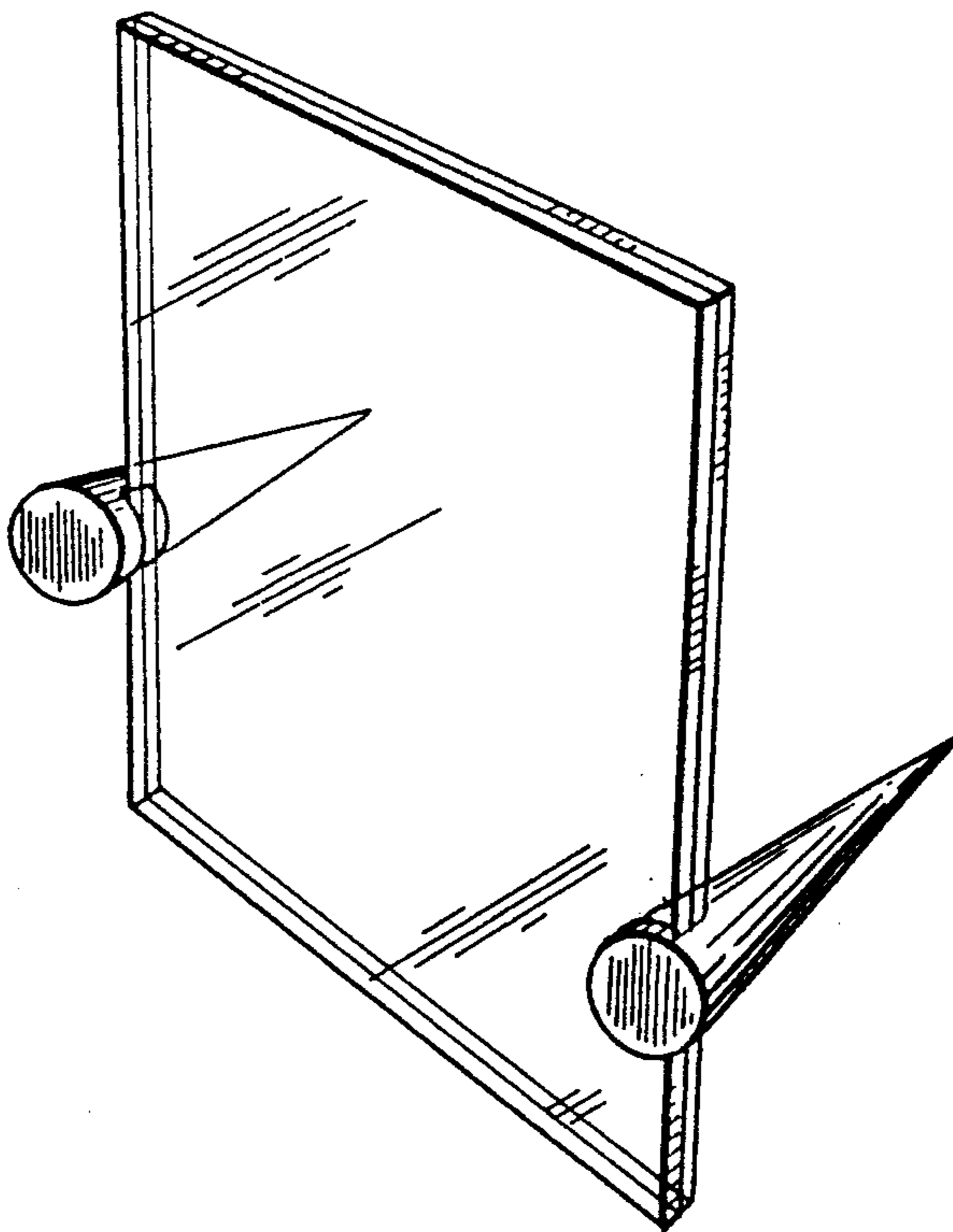
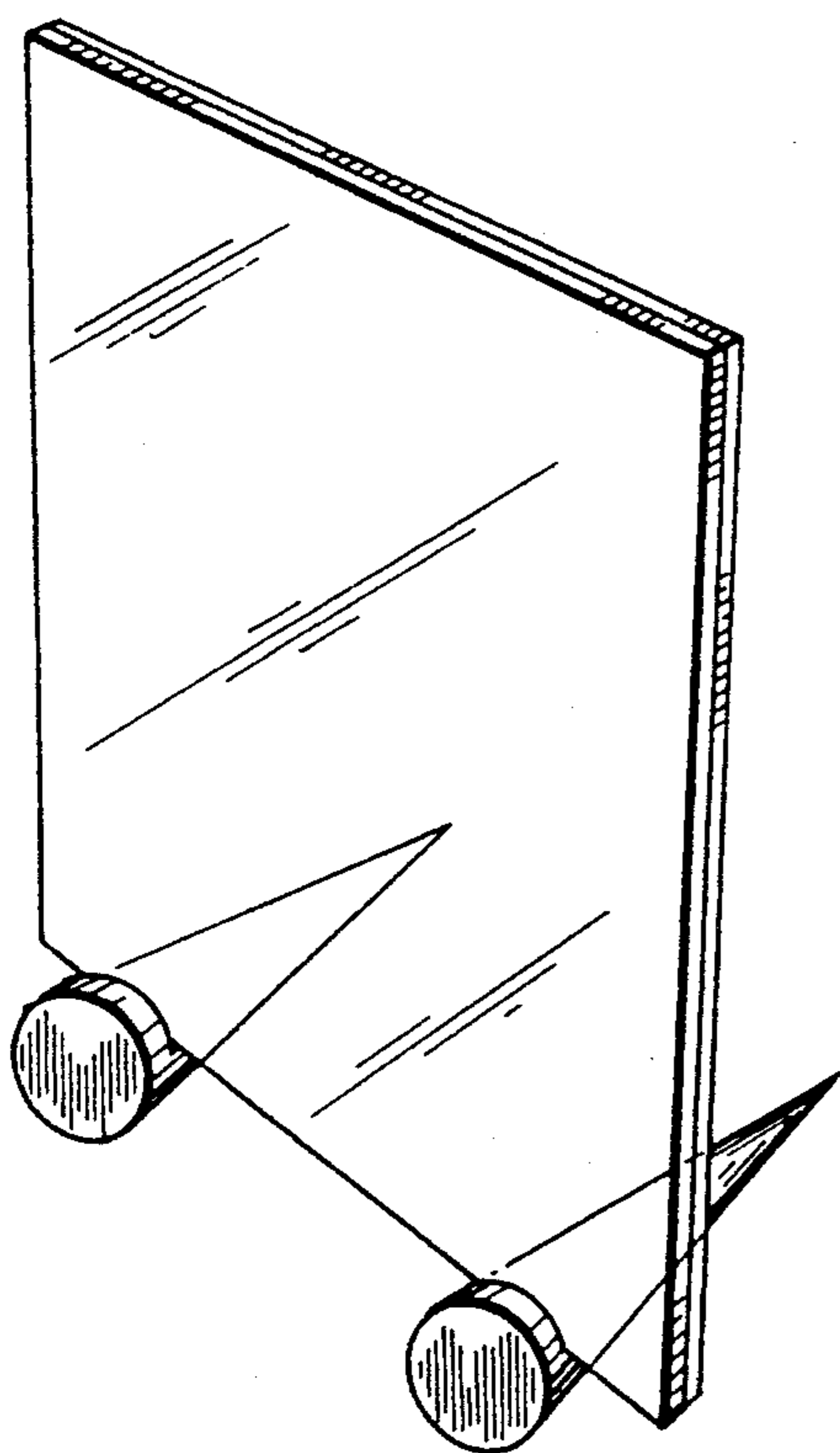


FIG. 1

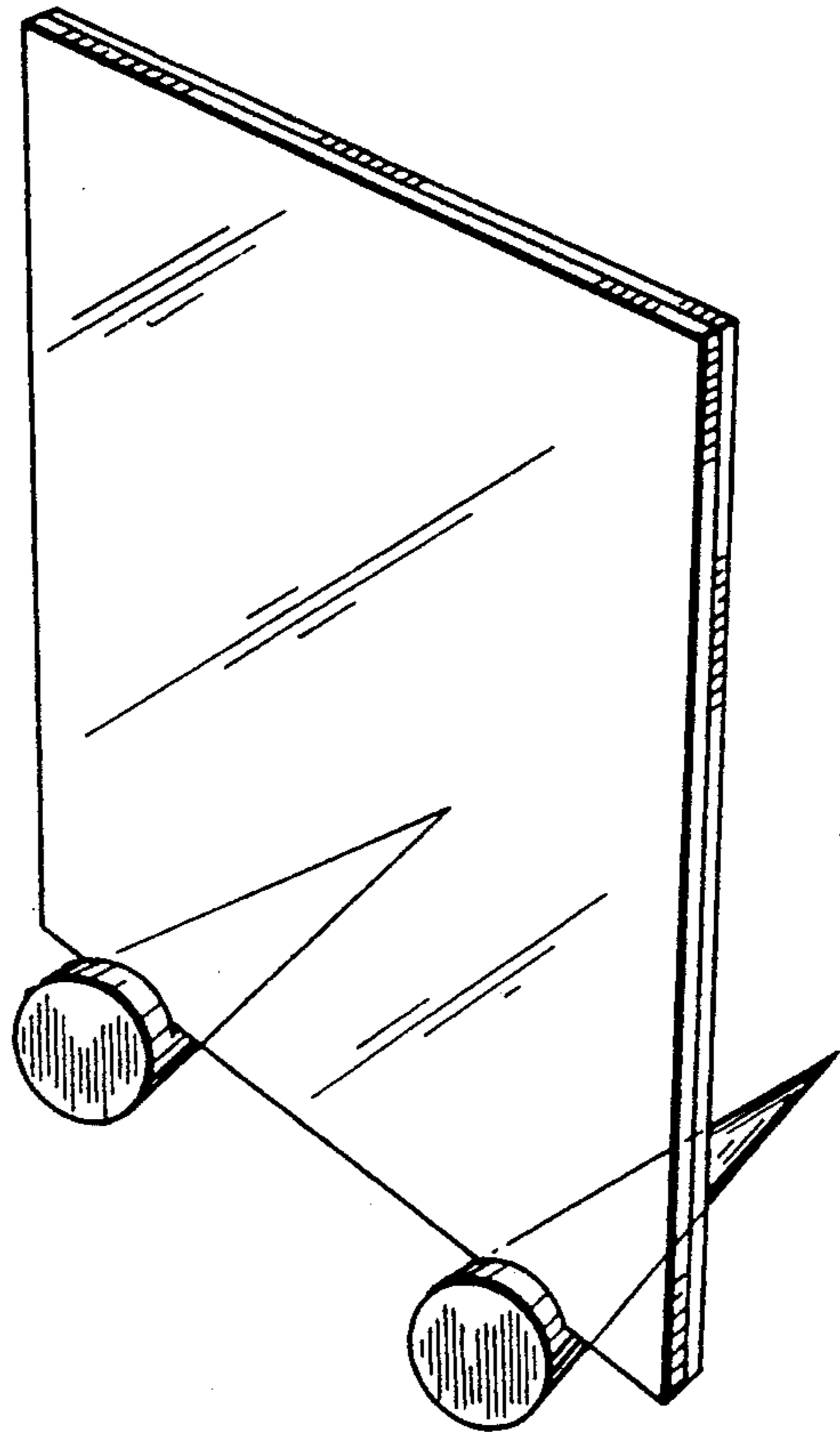


FIG. 3

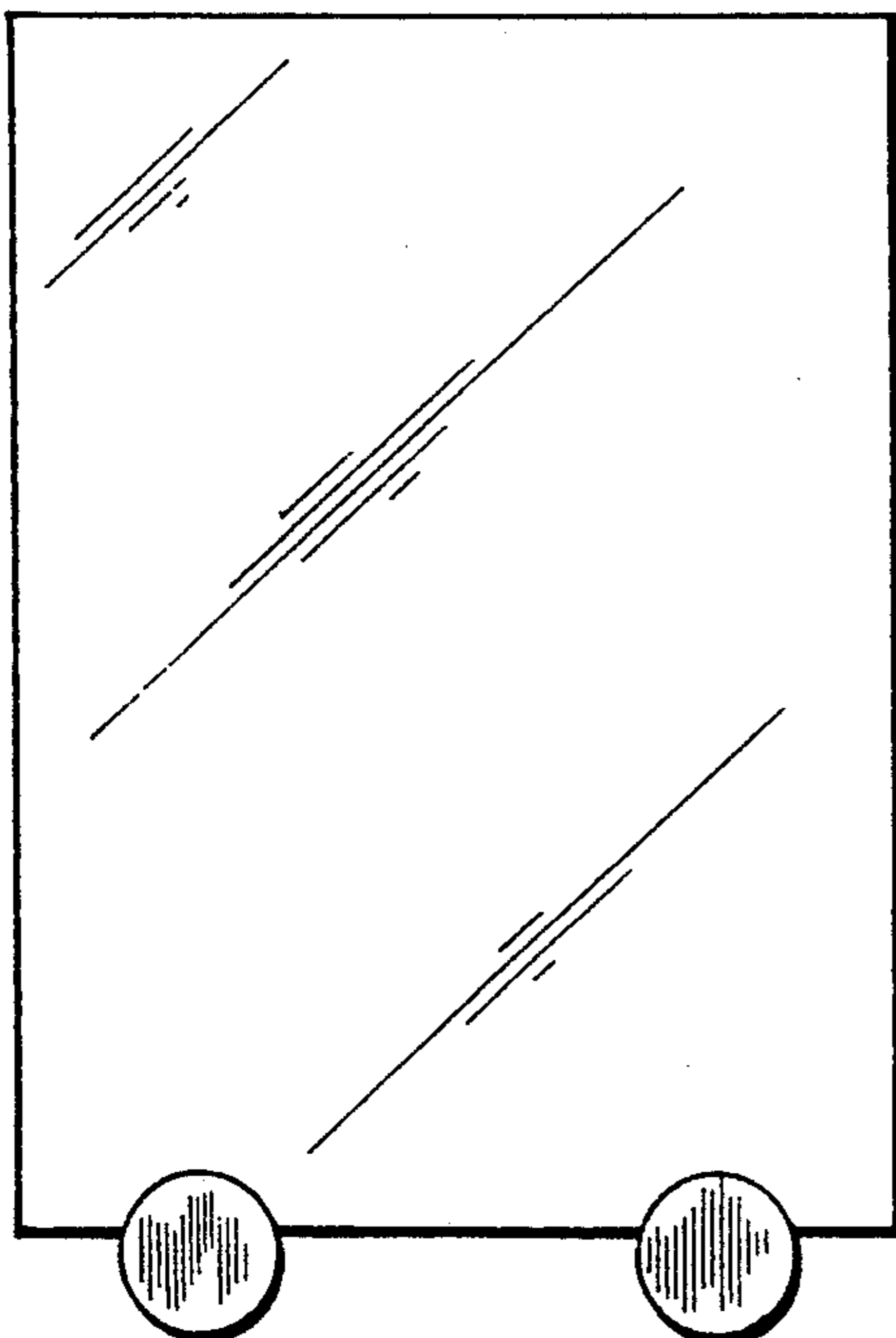
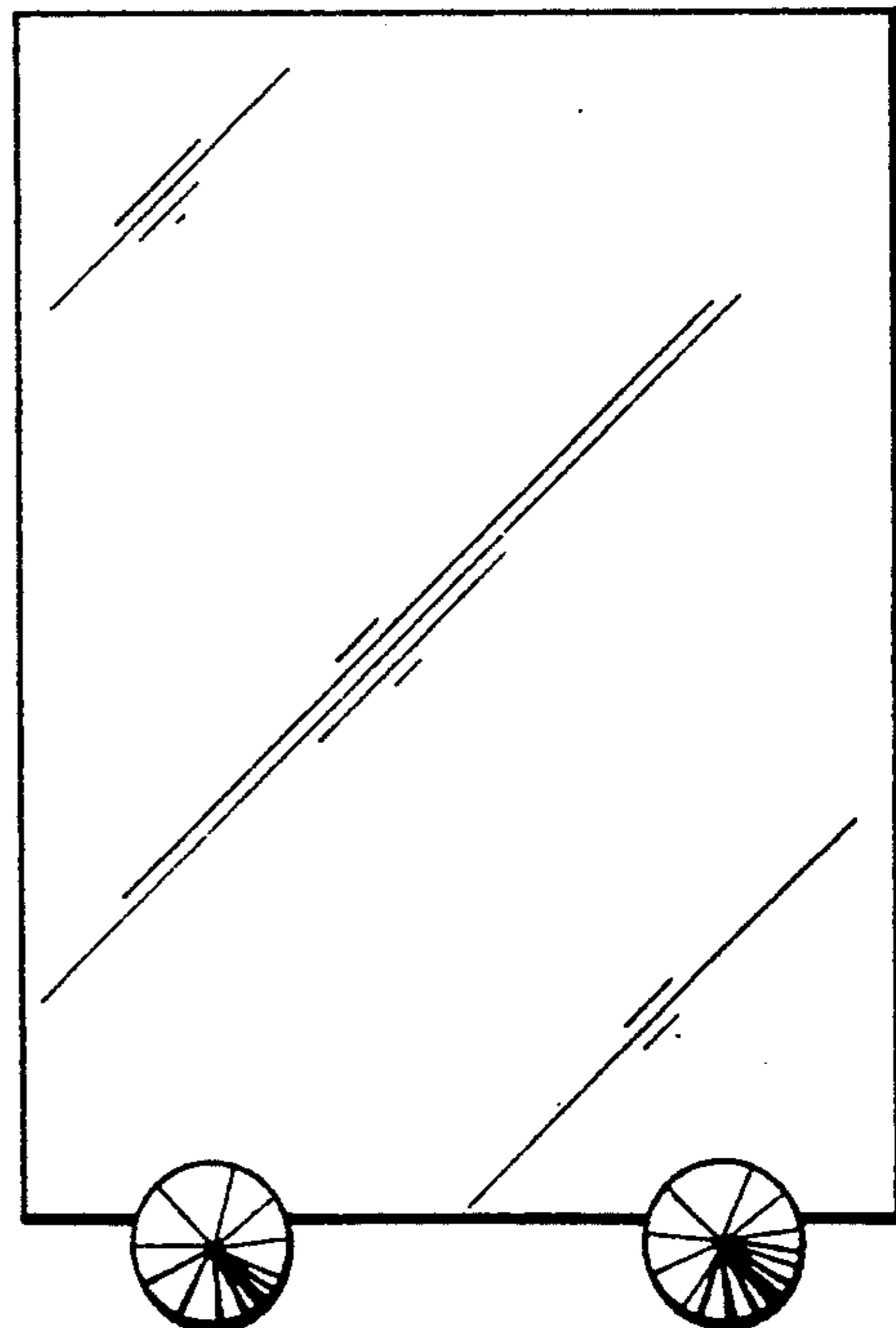


FIG. 2



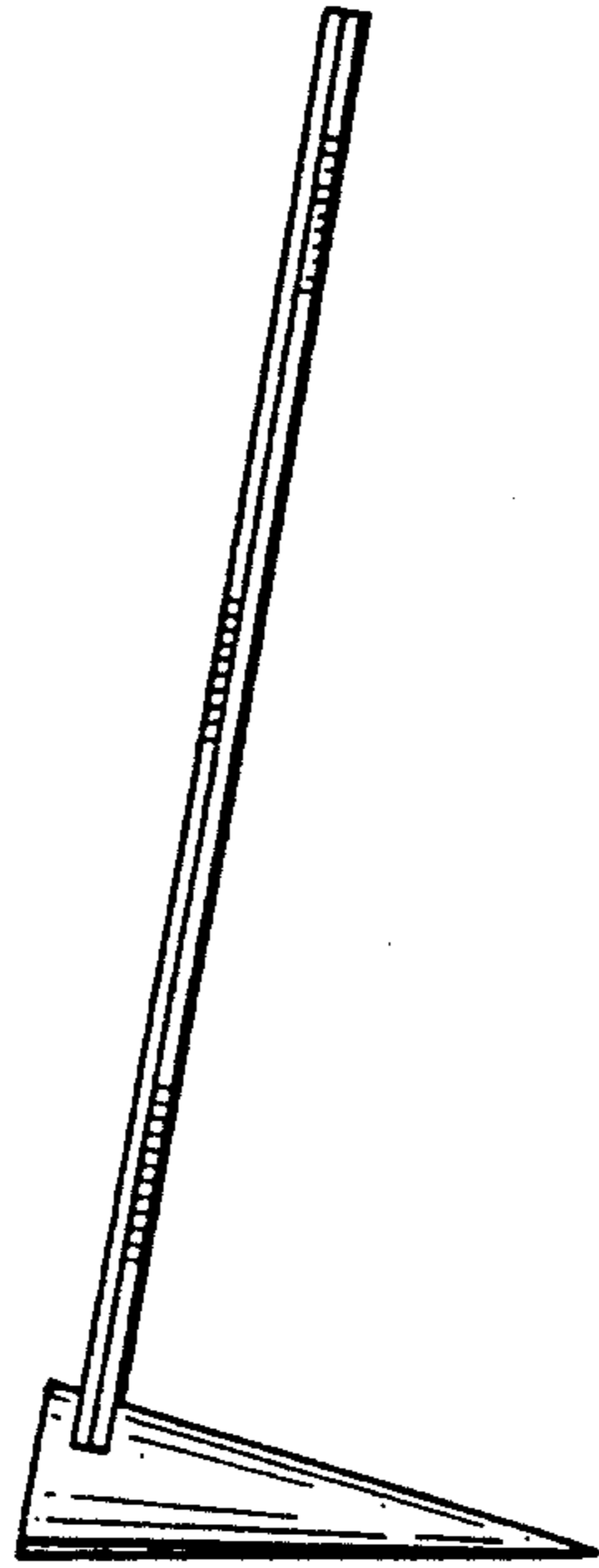


FIG. 4

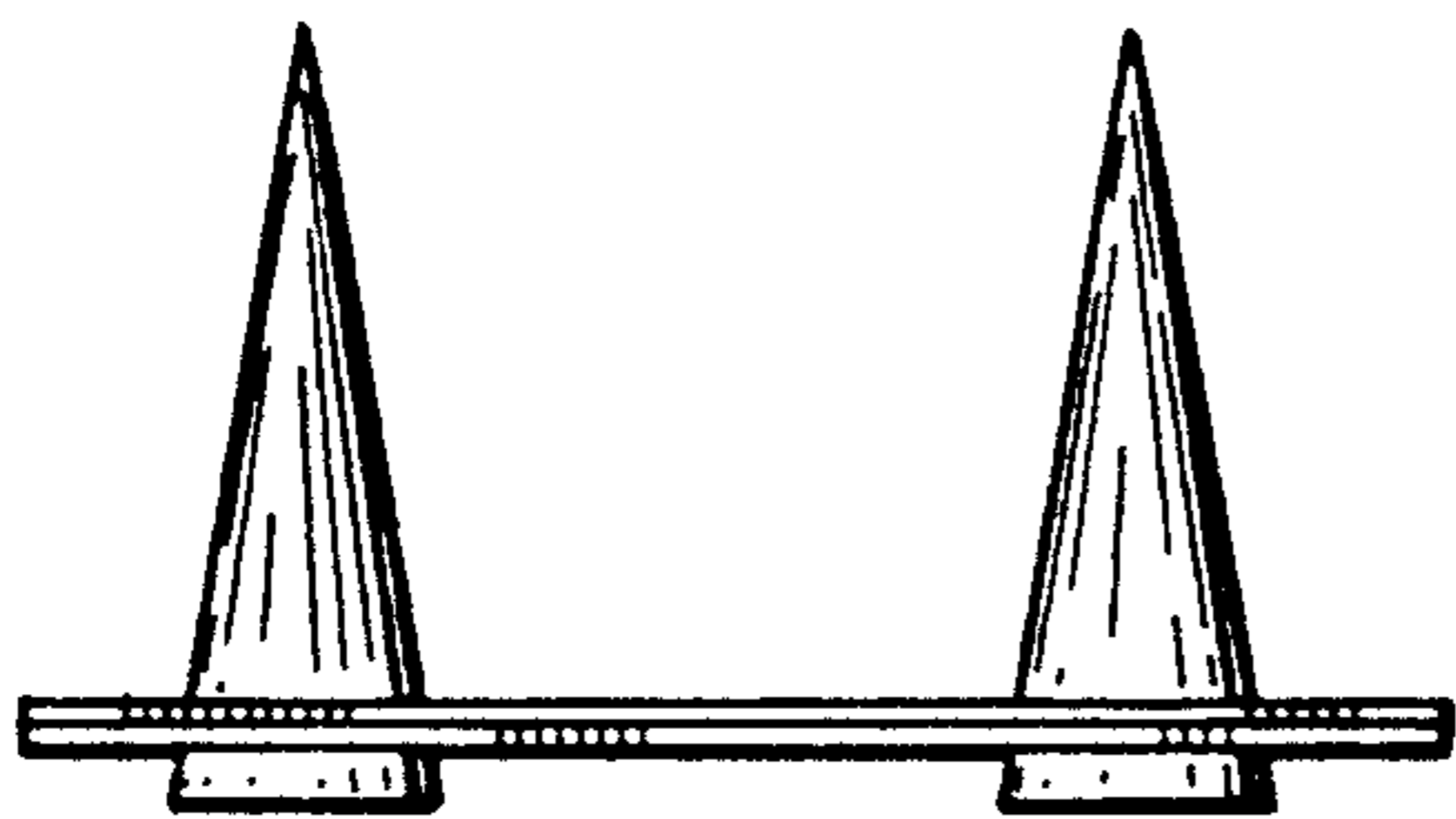


FIG. 5

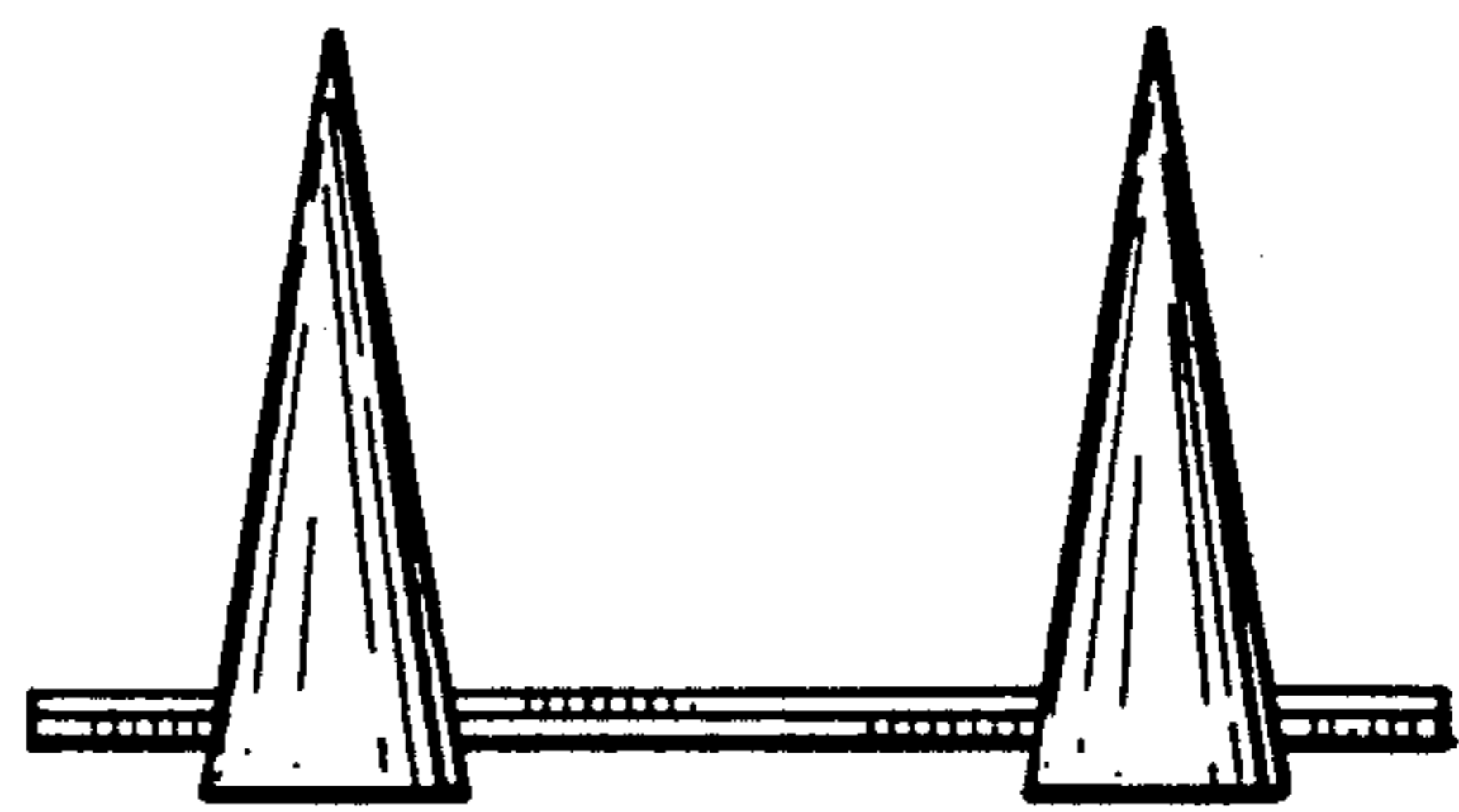


FIG. 6

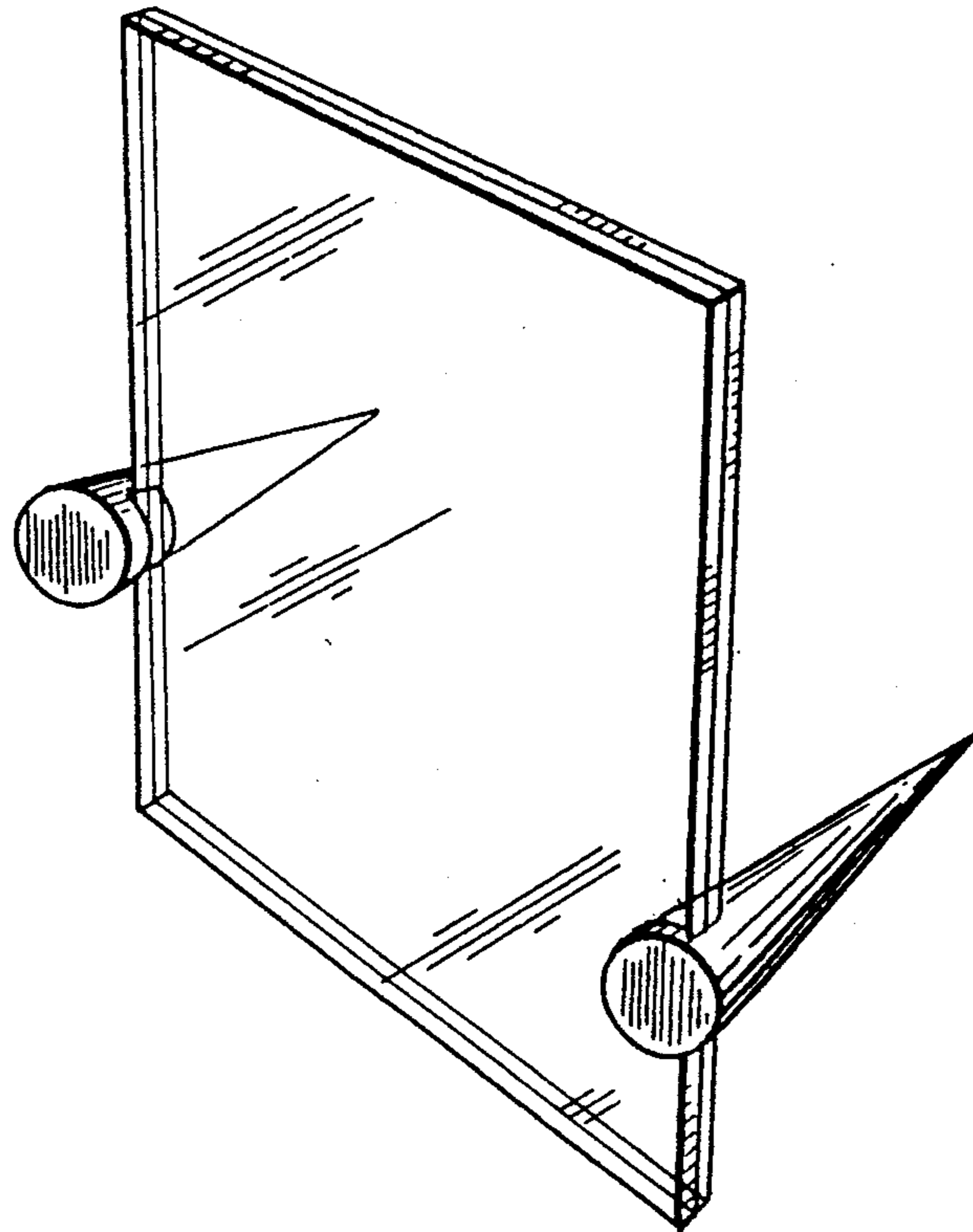


FIG. 7

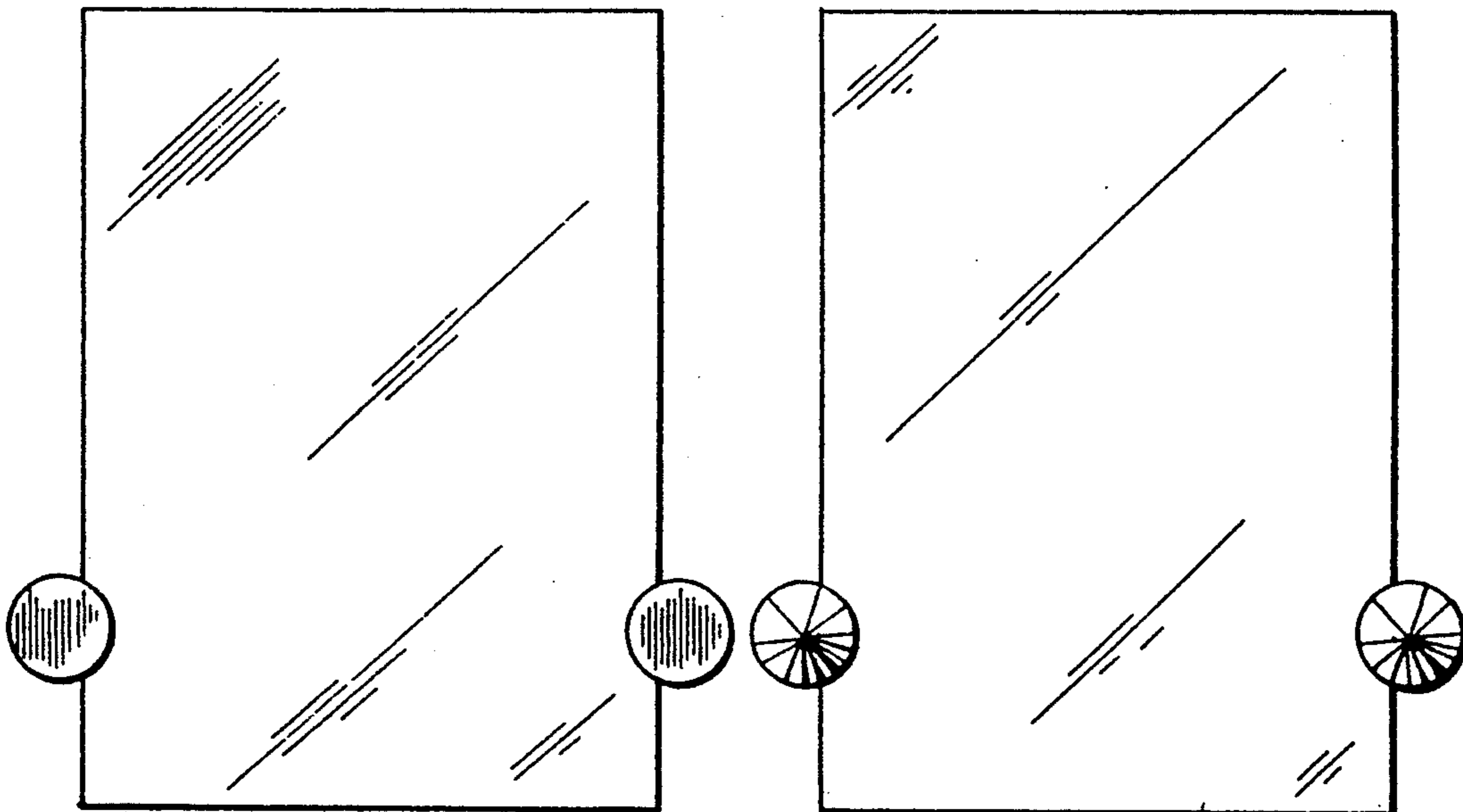


FIG. 9

FIG. 8

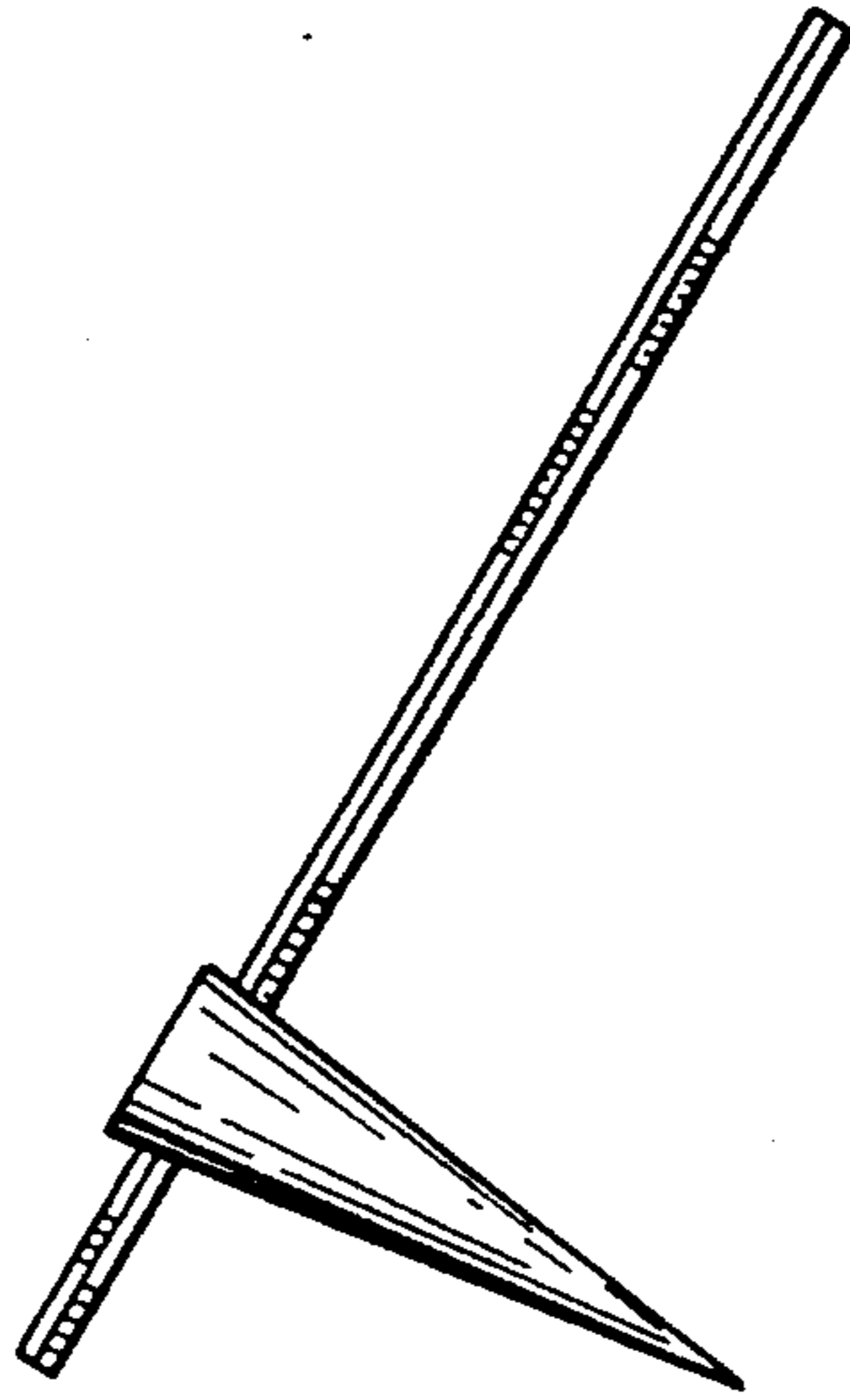


FIG. 10

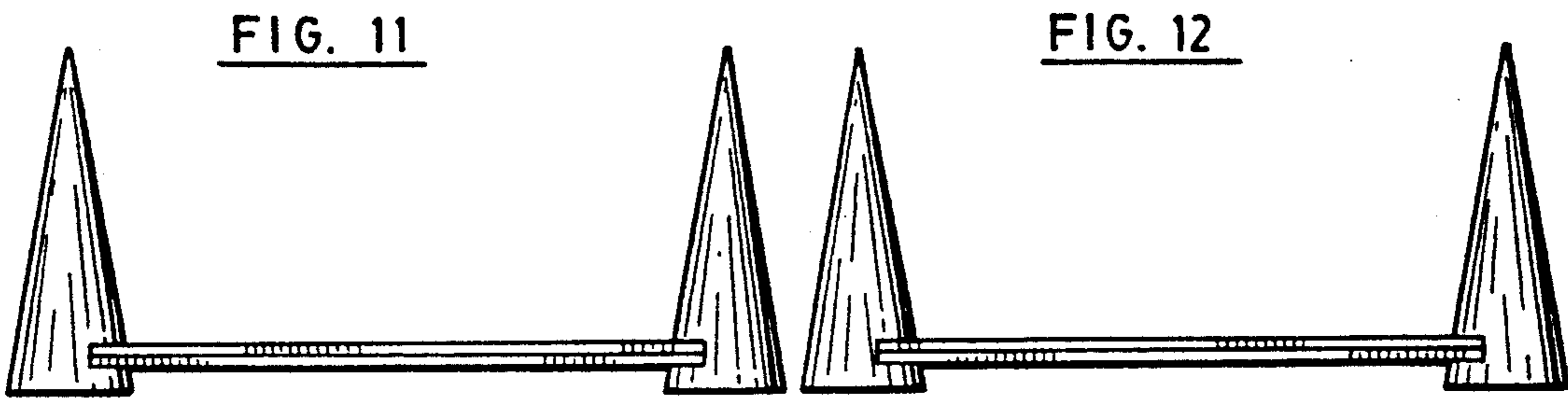


FIG. 11

FIG. 12