



US00D335392S

United States Patent [19]

[11] Patent Number: **Des. 335,392**

Topic et al.

[45] Date of Patent: **** May 11, 1993**

[54] **MINI CADDY**

[75] Inventors: **Ned Topic**, Hamilton, Canada; **Mike Demeter**, 700 Upper Kenilworth, Apt. 720, Hamilton, Ontario L8T 4W1, Canada

[73] Assignees: **Ned L. Topic; Mike Demeter**, both of Hamilton, Canada

[**] Term: **14 Years**

[21] Appl. No.: **618,829**

[22] Filed: **Nov. 27, 1990**

[52] U.S. Cl. **D3/104**

[58] Field of Search **D8/396; D6/528; D3/104; 224/101, 191, 251-253, 918, 919**

[56] **References Cited**

U.S. PATENT DOCUMENTS

- D. 155,372 9/1949 Whitman D6/528
- D. 251,338 3/1979 Evans et al. D3/104

- D. 306,375 3/1990 Stack D3/104
- D. 306,553 3/1990 Rumpel D8/396
- D. 321,032 10/1991 Marthaler et al. D3/104 X
- D. 330,634 11/1992 Mandraccia D3/104
- 4,082,209 4/1978 Sanders 224/252 X
- 4,106,678 8/1978 Thomas 224/252
- 4,299,345 11/1981 Lanzl 224/252

Primary Examiner—**Brian N. Vinson**

[57] **CLAIM**

The ornamental design for a mini caddy, as shown and described.

DESCRIPTION

FIG. 1 is a top, rear, and right side perspective view of a mini caddy showing our new design;
 FIG. 2 is a top plan view thereof;
 FIG. 3 is a rear elevational view thereof;
 FIG. 4 is a right side elevational view thereof; the left side being a mirror image of that shown;
 FIG. 5 is a bottom plan view thereof; and,
 FIG. 6 is a front elevational view thereof.

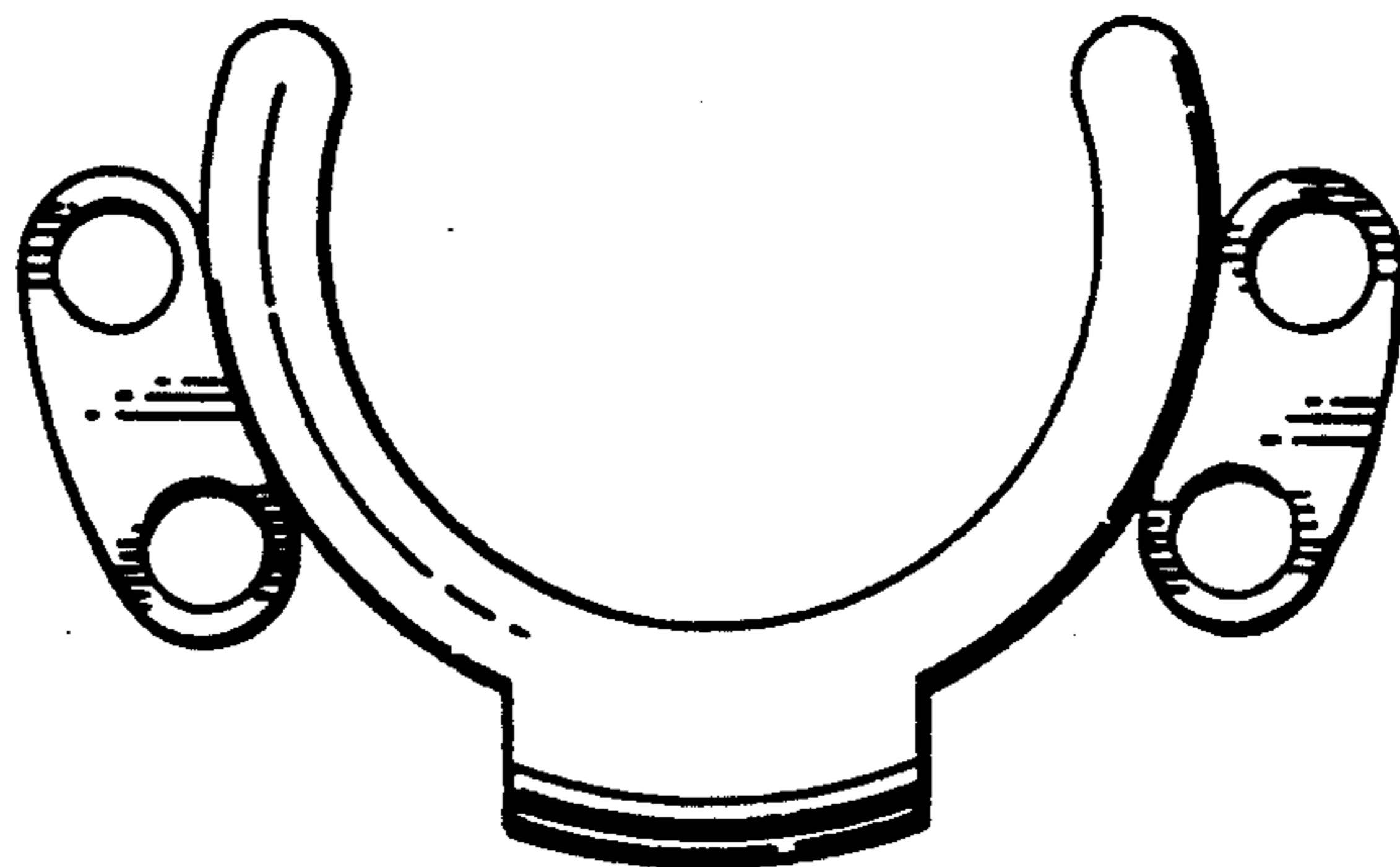
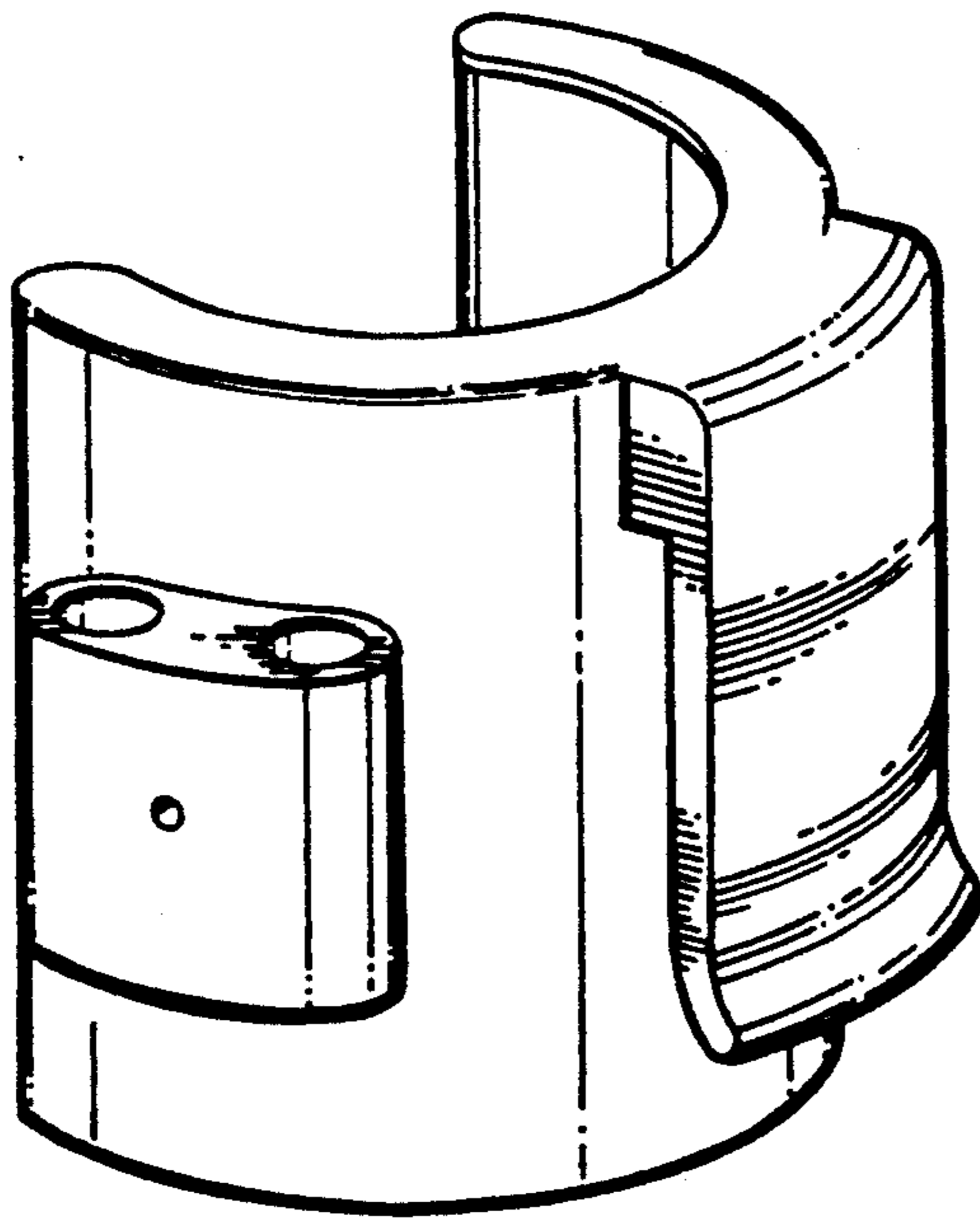


FIG. 1.

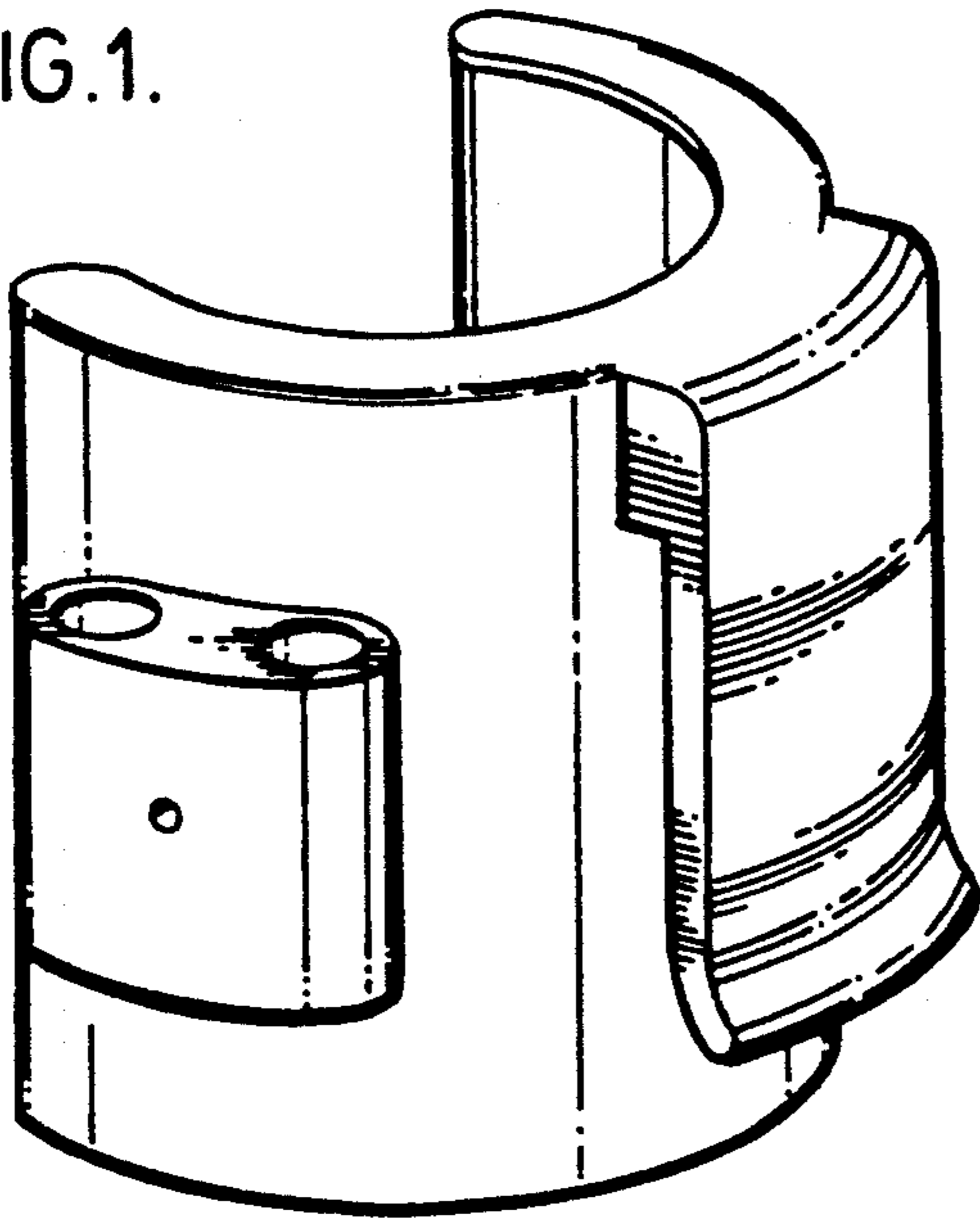


FIG. 2.

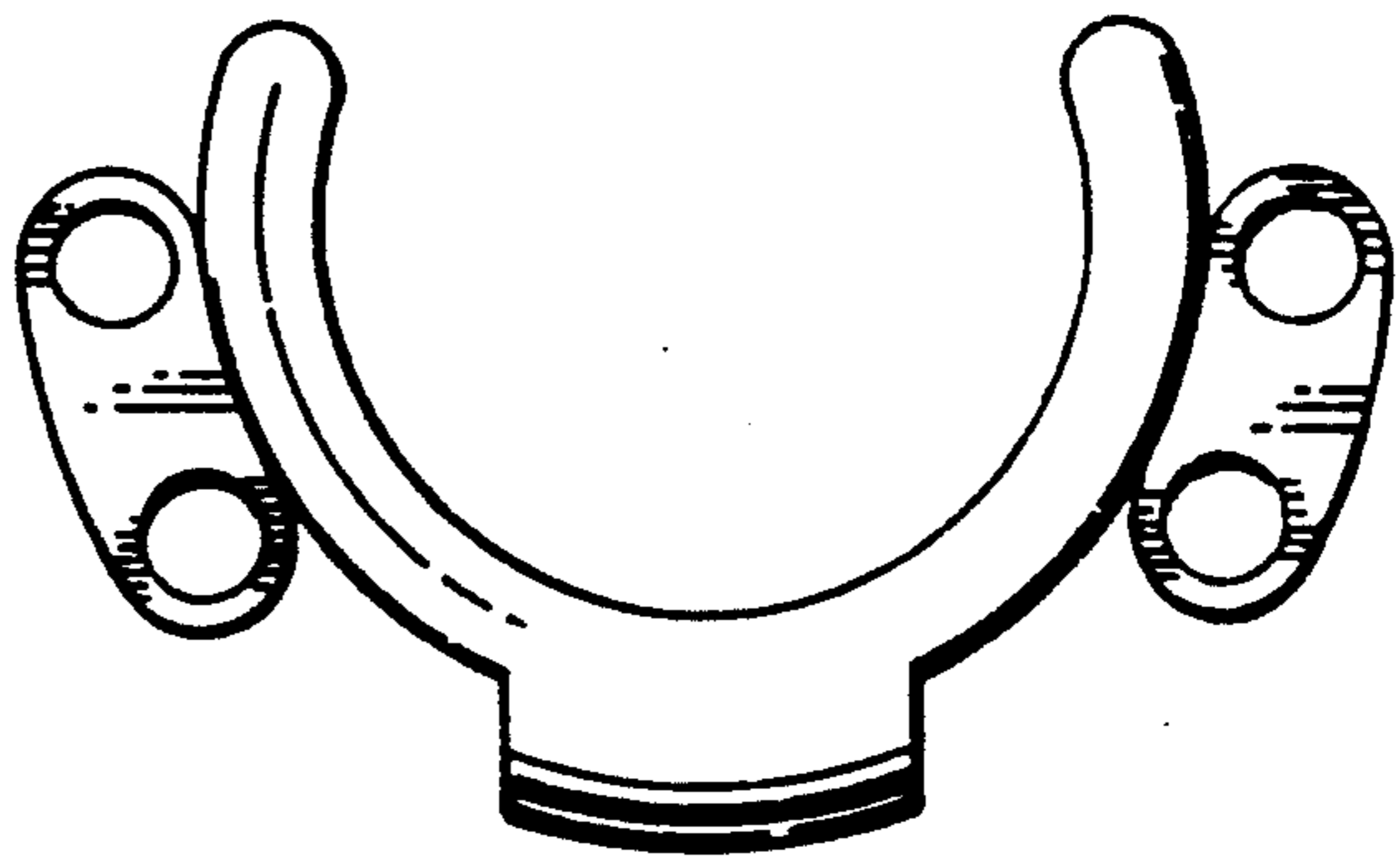


FIG. 3.

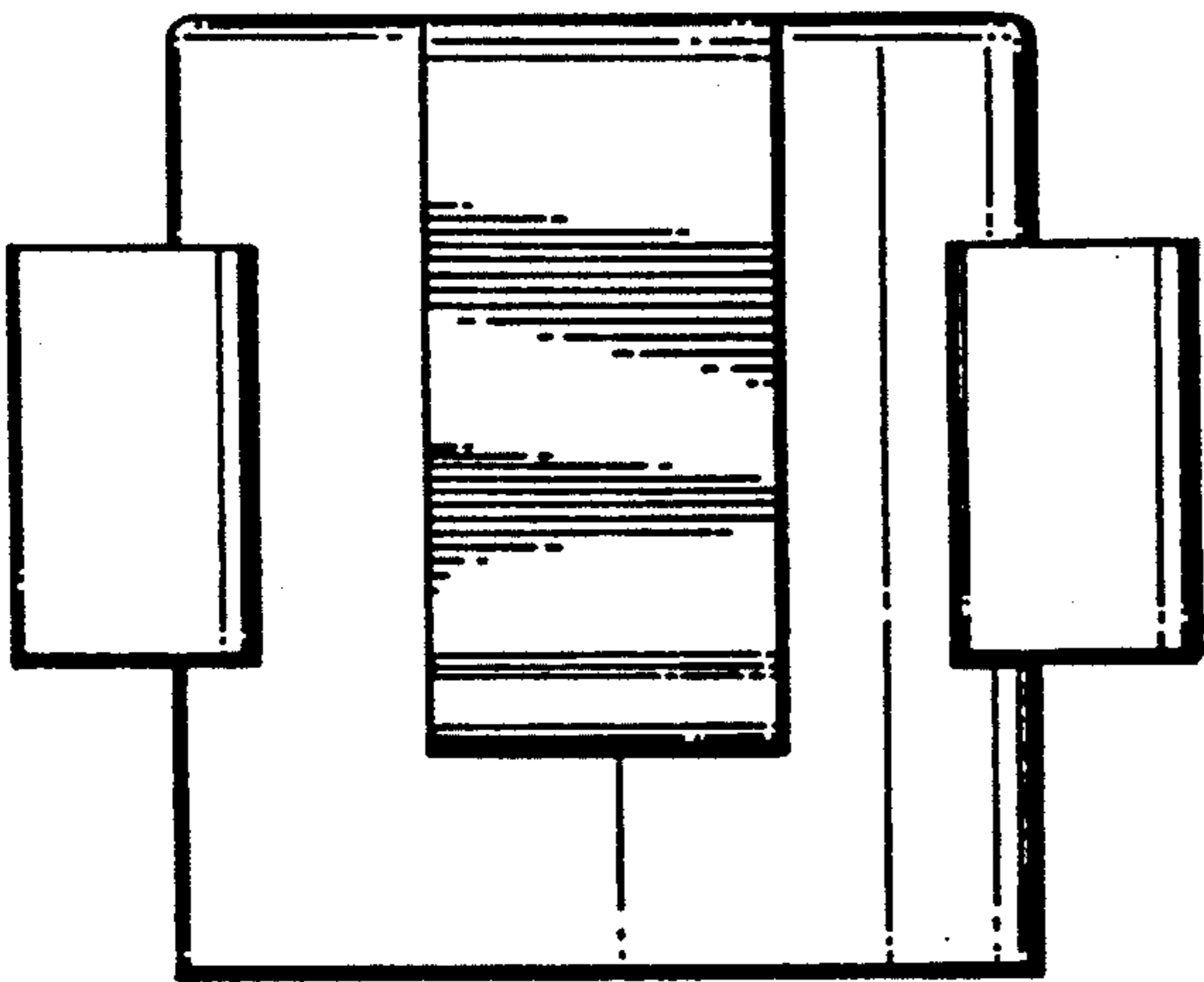


FIG. 4.

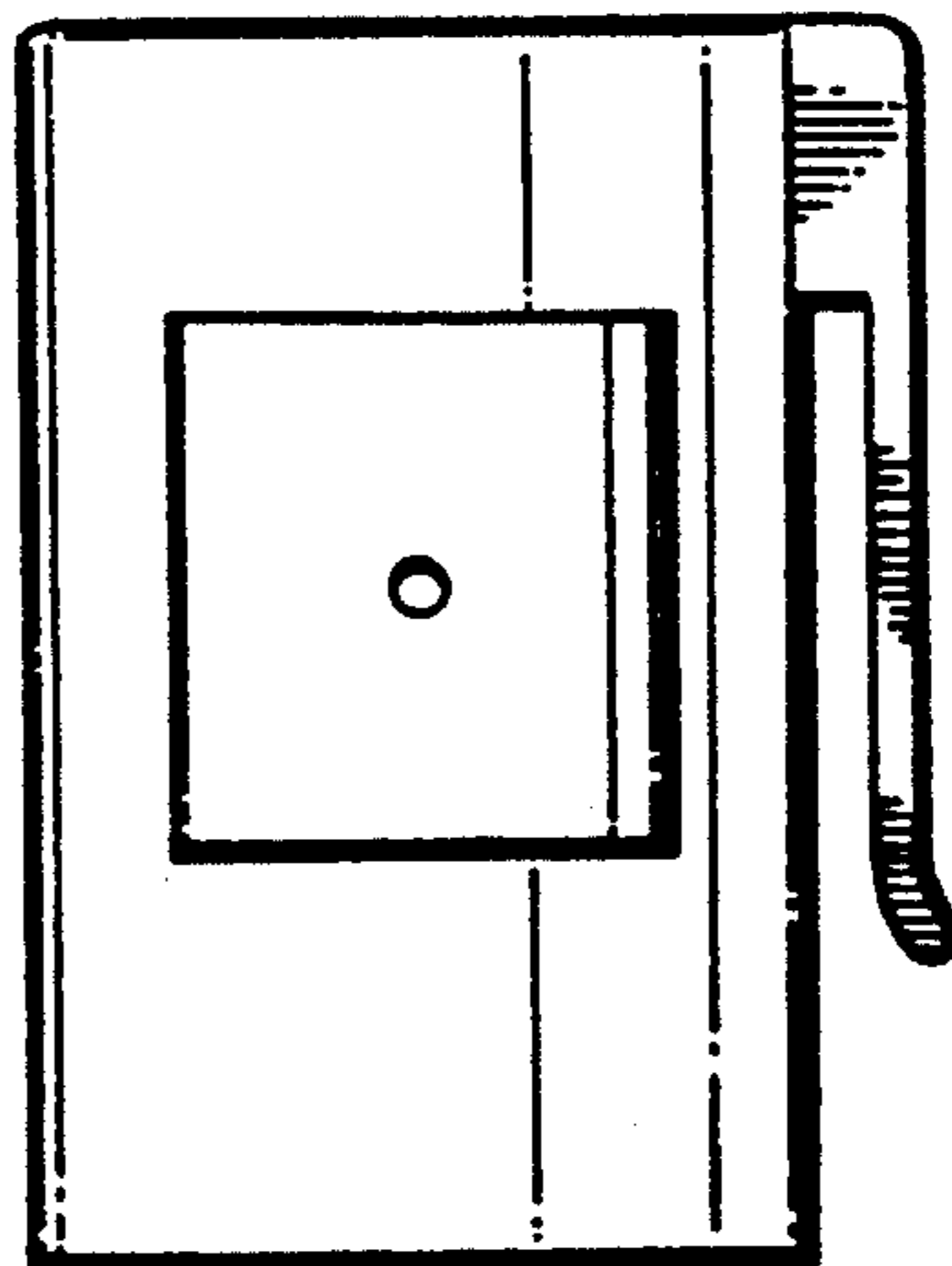


FIG. 5.

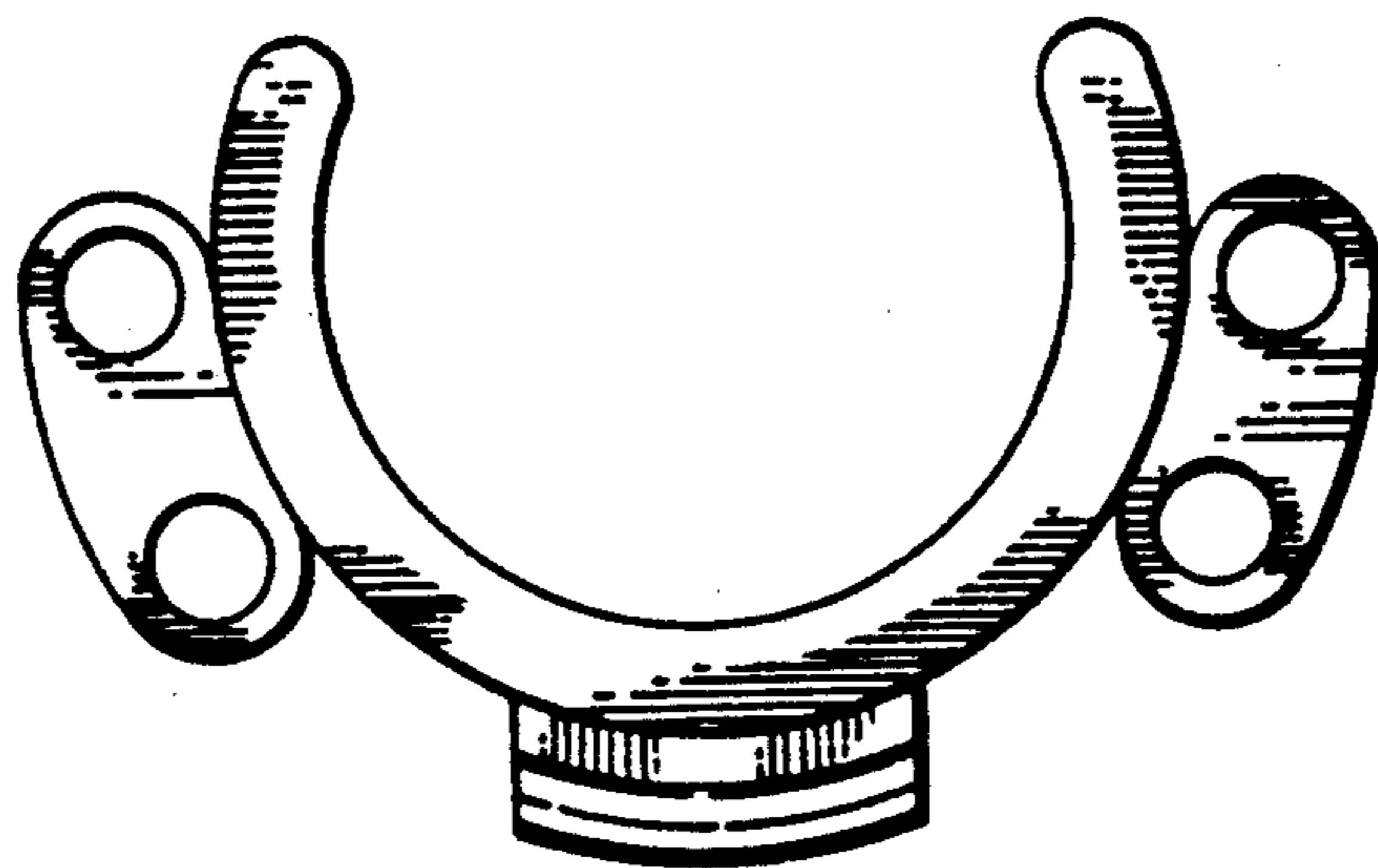


FIG. 6.

