



US00D335382S

**United States Patent** [19]  
**O'Brien**

[11] **Patent Number: Des. 335,382**

[45] **Date of Patent: \*\* May 4, 1993**

[54] **INDIVIDUAL HOLY COMMUNION PACKET**

[76] **Inventor: Gwendolyn I. O'Brien, 6011 Mercedes, Dallas, Tex. 75206**

[\*\*] **Term: 14 Years**

[21] **Appl. No.: 534,857**

[22] **Filed: Jun. 8, 1990**

[52] **U.S. Cl. .... D99/25; D7/509; D7/511**

[58] **Field of Search .... D99/25; D9/390, 355, D9/399, 353, 349; 27/1; D7/507, 509, 510, 511; 215/228, 6; 206/217; 220/23.86**

[56] **References Cited**  
**U.S. PATENT DOCUMENTS**

D. 256,077 7/1980 Brockman et al. .... D7/507

D. 291,659 9/1987 Powell ..... D99/25 X  
D. 303,311 9/1989 Vezirian ..... D99/25  
D. 304,514 11/1989 Vezirian et al. .... D99/25  
D. 315,095 3/1991 Wright ..... D9/353  
3,433,378 3/1969 Ross ..... 215/228

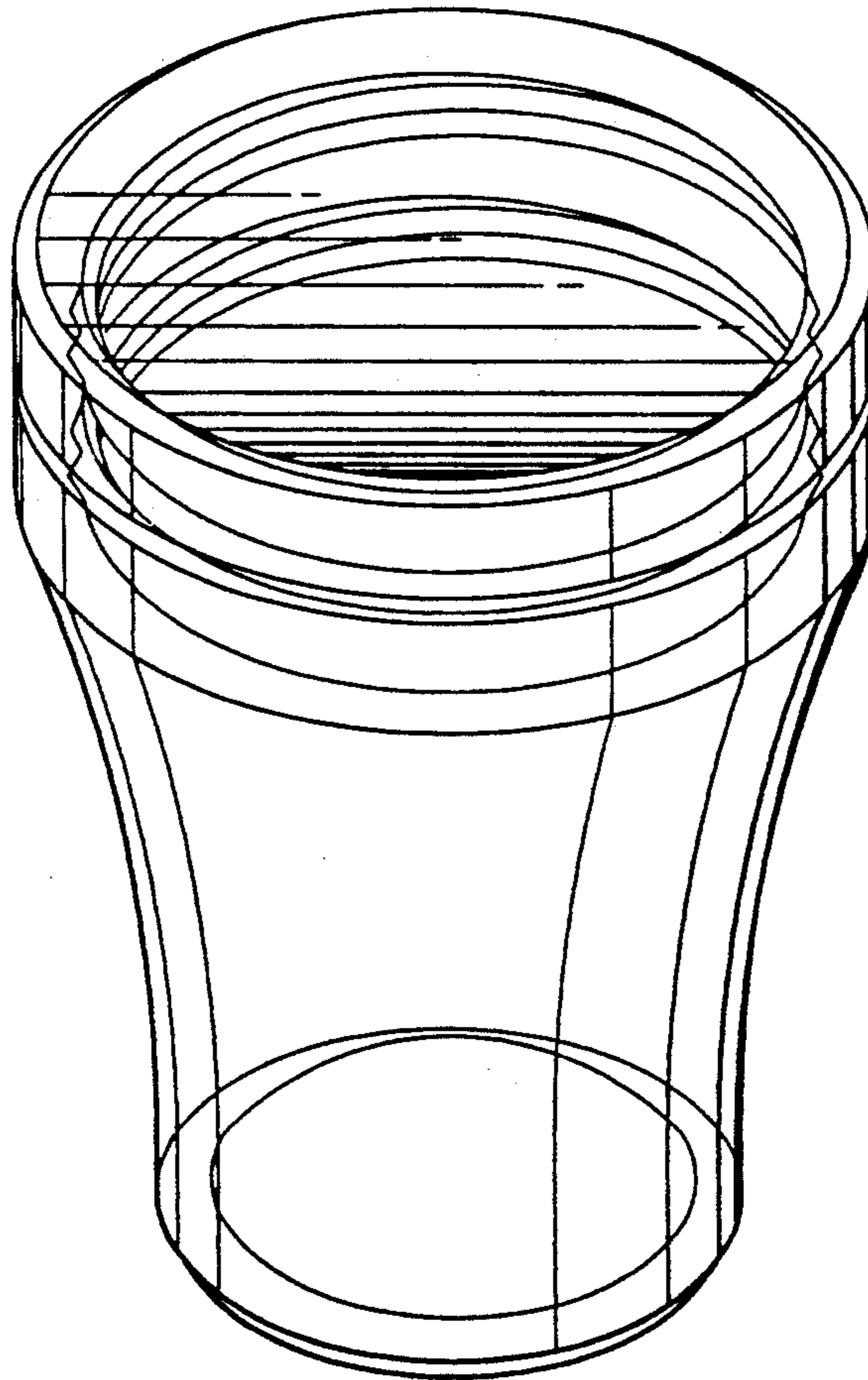
*Primary Examiner*—Alan P. Douglas  
*Assistant Examiner*—J. H. Musgrove  
*Attorney, Agent, or Firm*—Richards, Medlock & Andrews

[57] **CLAIM**

The ornamental design for an individual holy communion packet, as shown and described.

**DESCRIPTION**

FIG. 1 is a perspective view illustrating my new design; FIG. 2 is a side elevational view thereof; FIG. 3 is a top plan view thereof; and, FIG. 4 is a bottom view thereof.



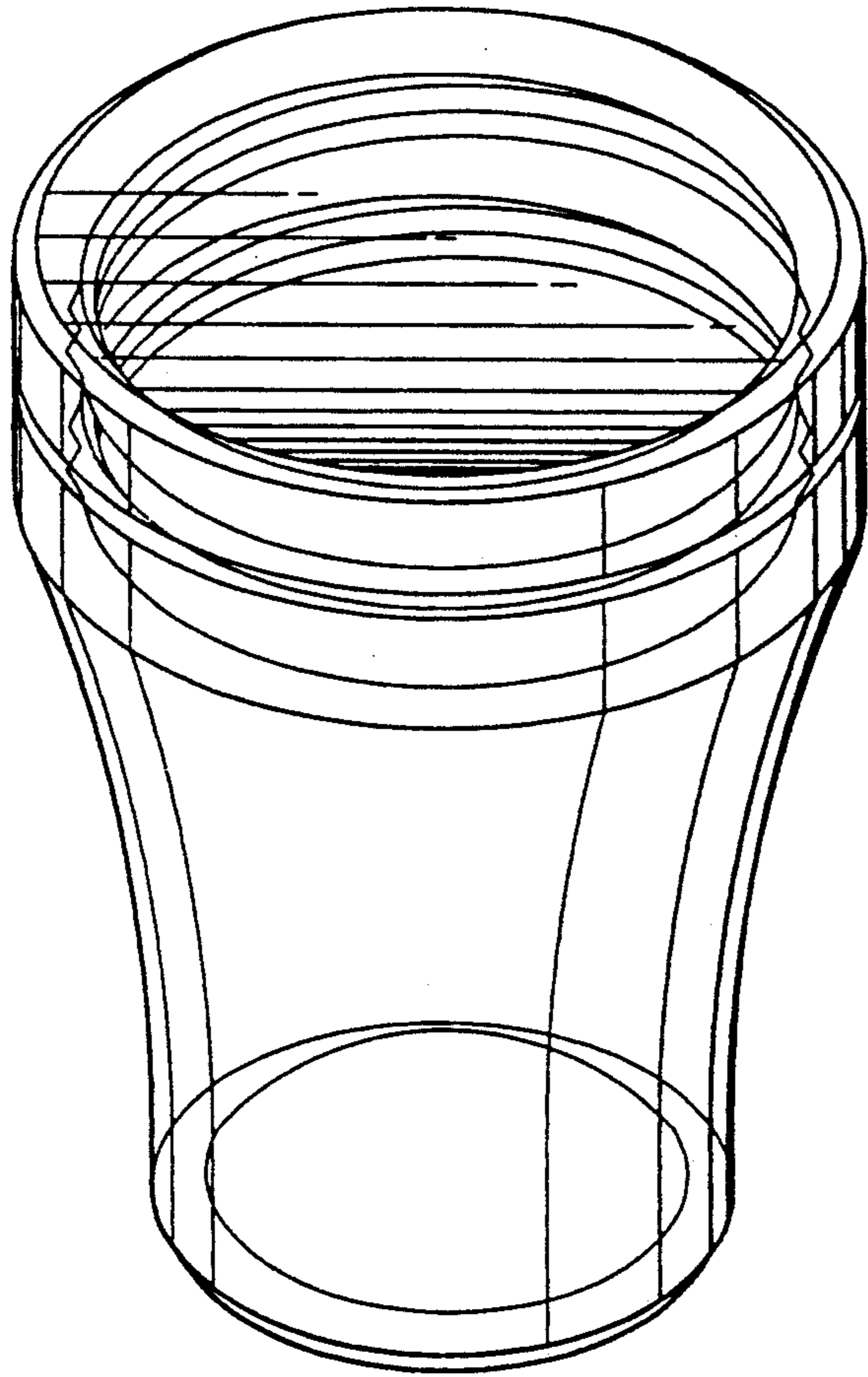


FIG. 1

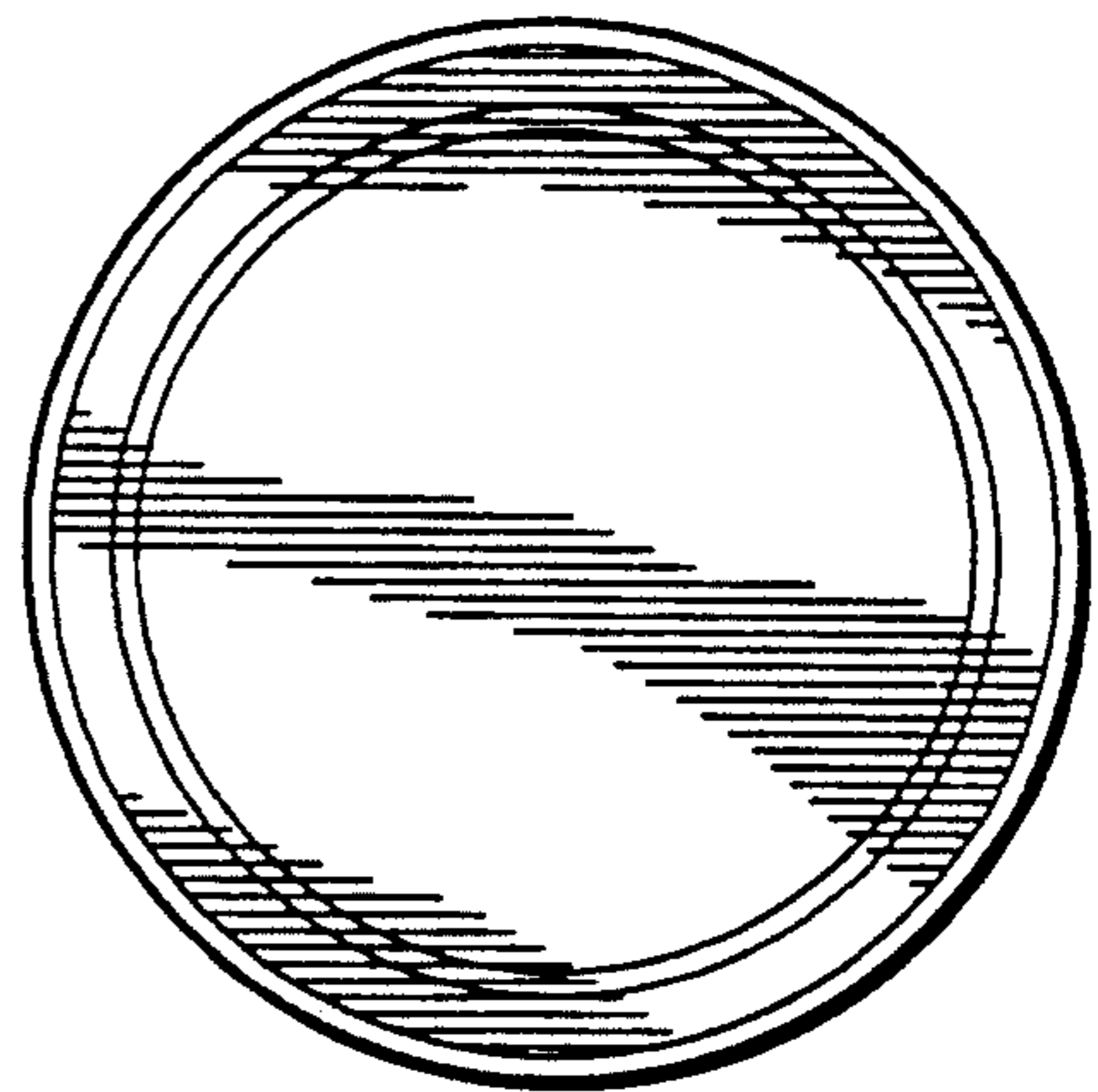


FIG. 3

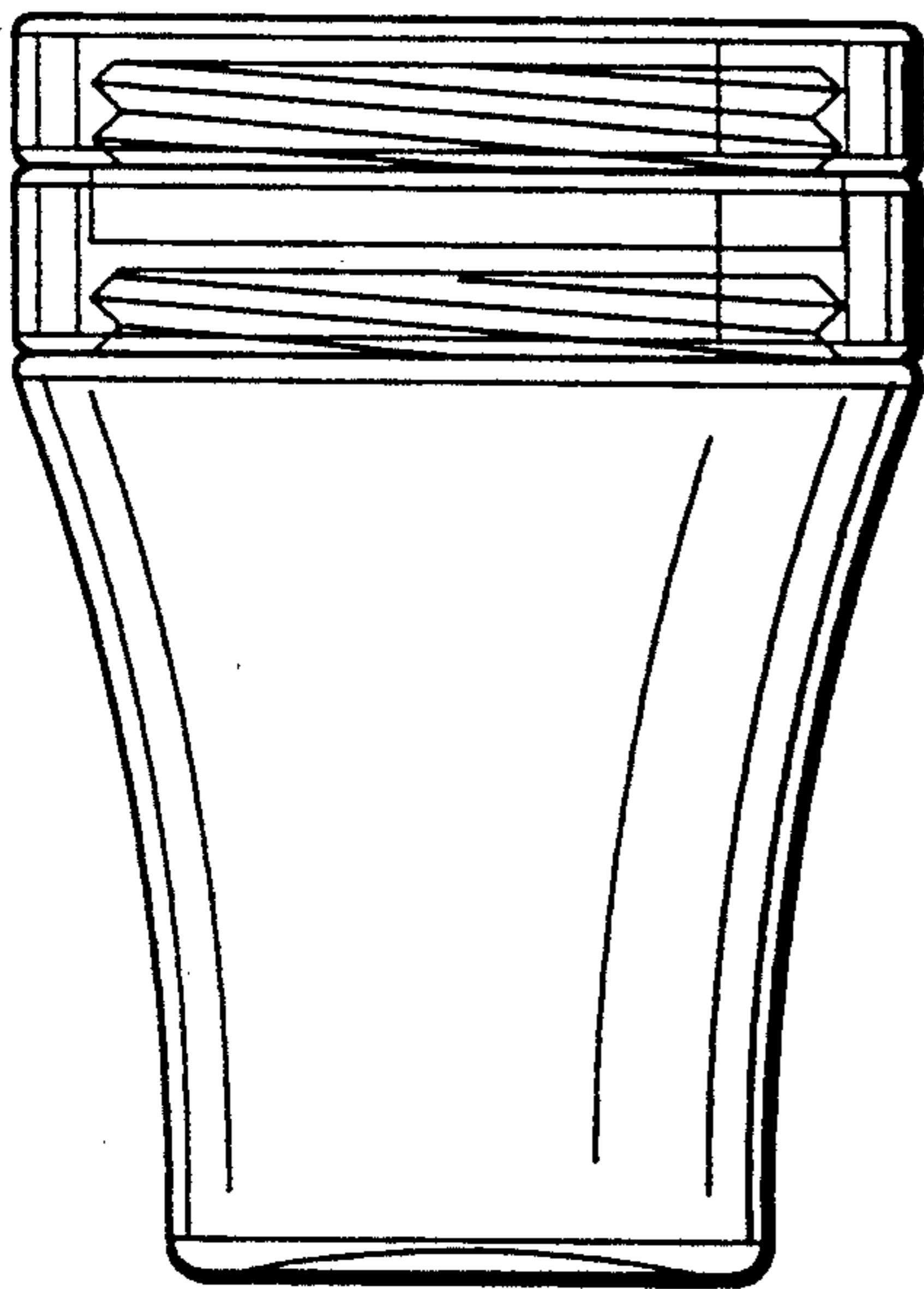


FIG. 2

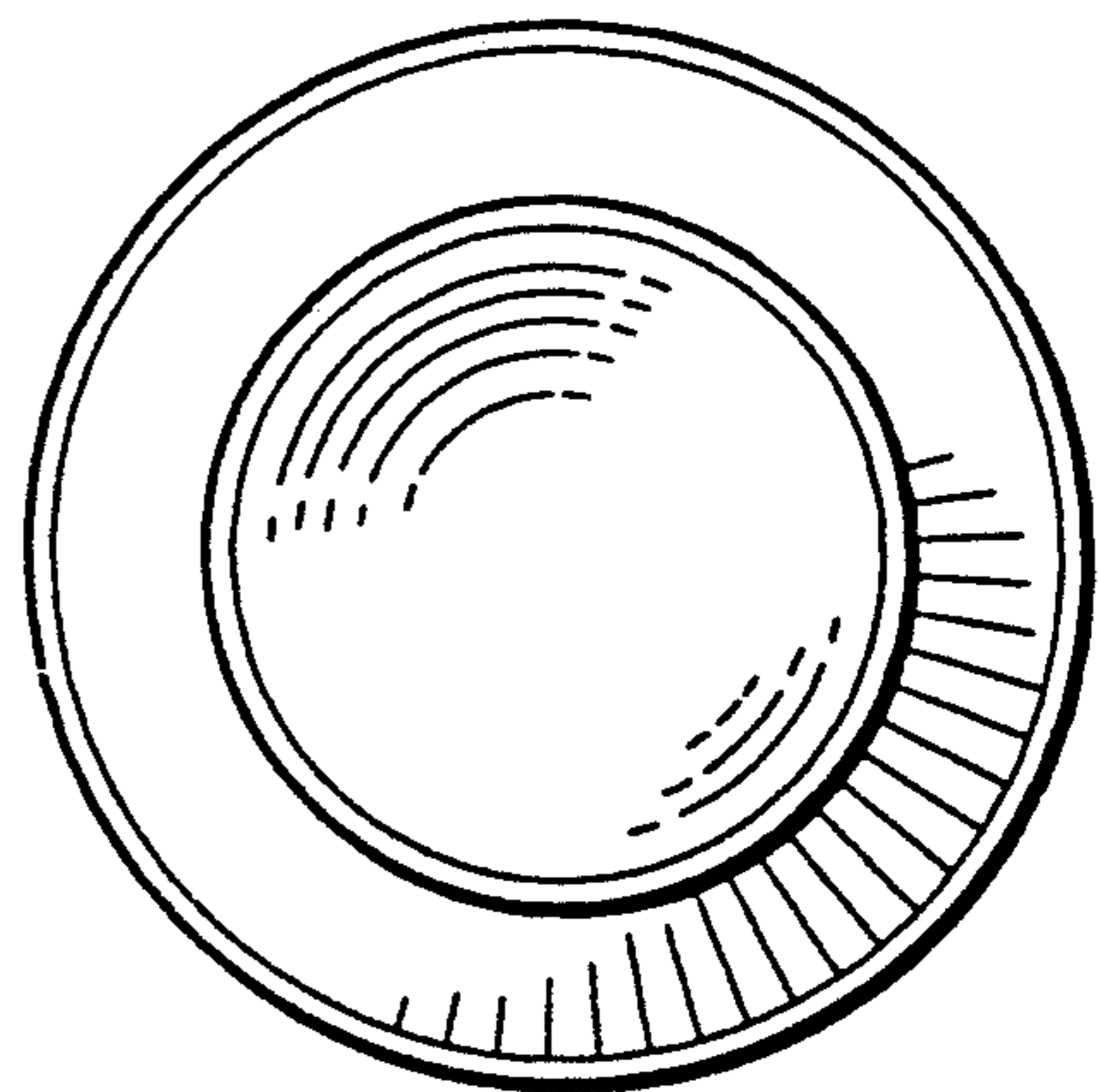


FIG. 4