



US00D335381S

United States Patent [19]

[11] Patent Number: **Des. 335,381**

Miyake et al.

[45] Date of Patent: **** May 4, 1993**

[54] **TELLER MACHINE**

D. 319,633 9/1991 Nogawa D14/105

[75] Inventors: **Takao Miyake; Masayoshi Kawaishi; Katsuhiko Ishida; Maki Tomoike; Kensho Tsuji; Fumikazu Shimanuki**, all of Nara, Japan

Primary Examiner—Alan P. Douglas
Assistant Examiner—J. H. Musgrove
Attorney, Agent, or Firm—Nixon & Vanderhye

[73] Assignee: **Sharp Kabushiki Kaisha**, Osaka, Japan

[57] **CLAIM**

The ornamental design for a teller machine, as shown and described.

[**] Term: **14 Years**

DESCRIPTION

[21] Appl. No.: **676,966**

FIG. 1 is a top, front and lefthand perspective view of a teller machine according to the present invention;

[22] Filed: **Apr. 1, 1991**

FIG. 2 is a top plan view thereof;

[30] **Foreign Application Priority Data**

Oct. 4, 1990 [JP] Japan 2-33701

Oct. 4, 1990 [JP] Japan 2-33708

[52] U.S. Cl. **D99/34; D18/4**

FIG. 3 is a front elevational view thereof;

FIG. 4 is a rear elevational view thereof;

FIG. 5 is a bottom plan view thereof;

FIG. 6 is a right side elevational view thereof;

FIG. 7 is a left side elevational view thereof;

[58] Field of Search **D99/28, 34; D18/4, 3; D14/105, 100, 101, 102**

FIG. 8 is a top, front and left side perspective view of another embodiment of a teller machine according to the present invention;

FIG. 9 is a top plan view thereof;

FIG. 10 is a front elevational view thereof;

FIG. 11 is a rear elevational view thereof;

FIG. 12 is a bottom plan view thereof;

FIG. 13 is a right side elevational view thereof; and,

FIG. 14 is a left side elevational view thereof.

[56] **References Cited**

U.S. PATENT DOCUMENTS

D. 297,237 8/1988 Long D14/105

D. 298,262 10/1988 Ishida D18/4

D. 311,547 10/1990 Yoshitake D18/4

D. 319,251 8/1991 Ishida et al. D18/4

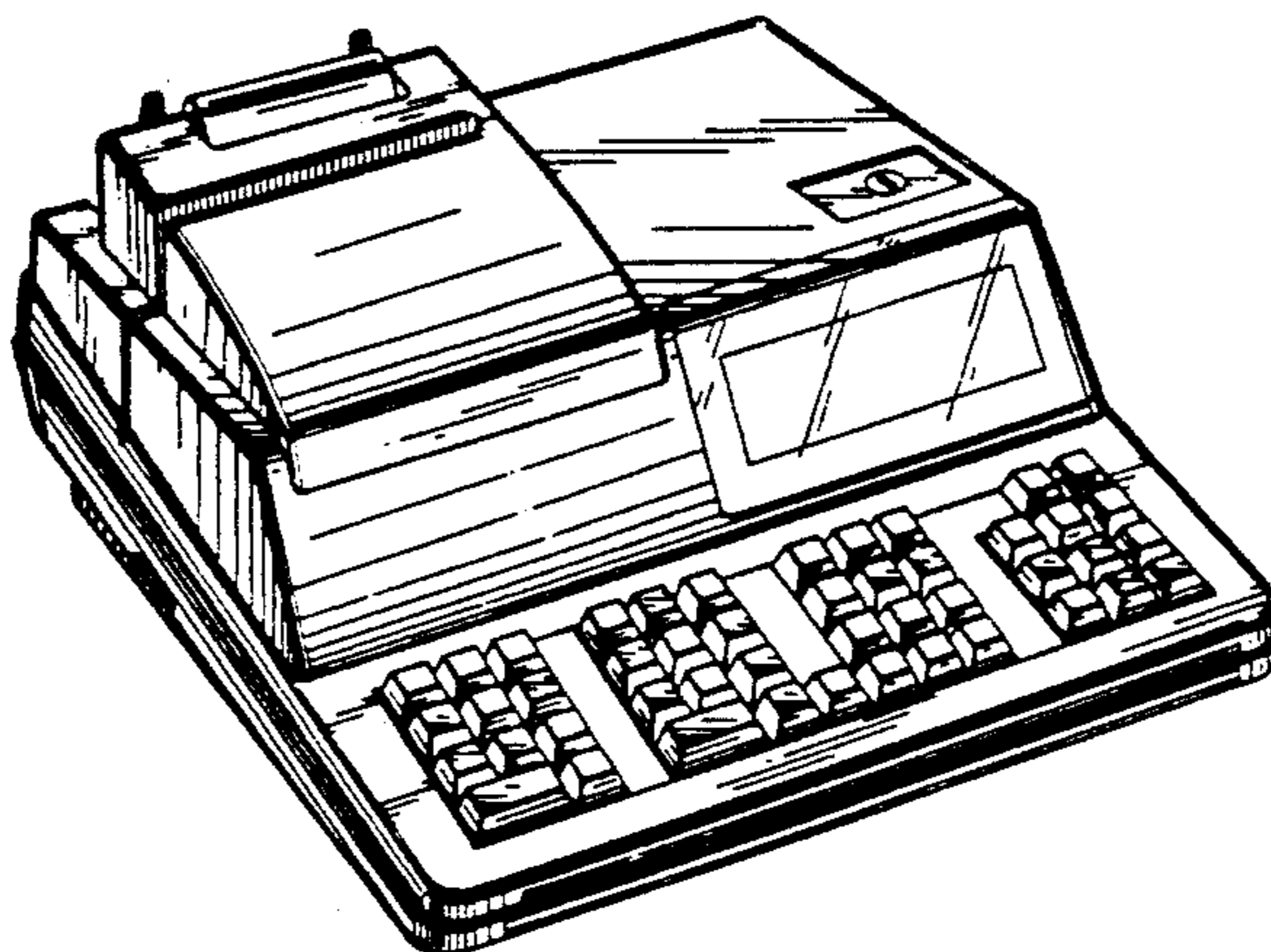
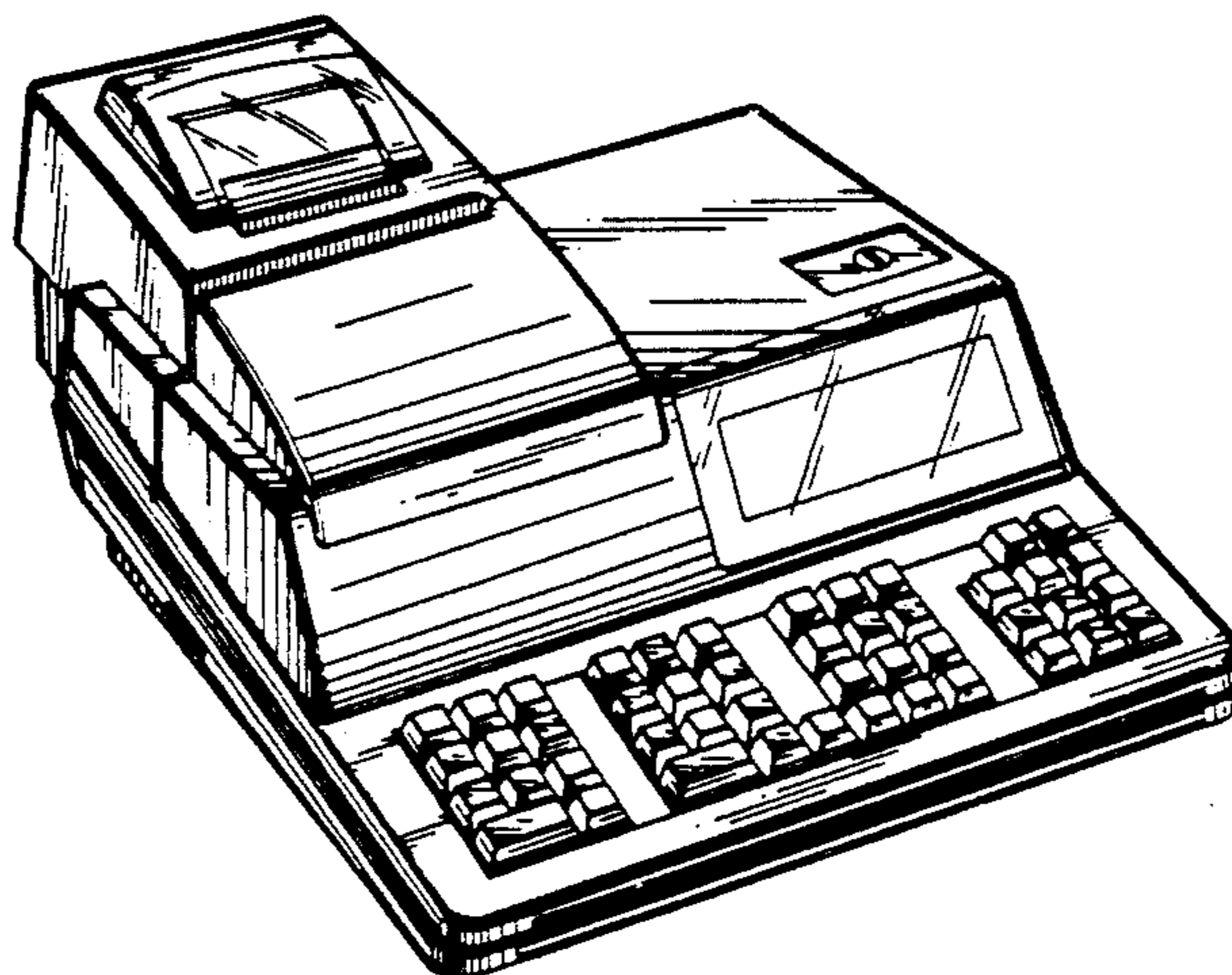
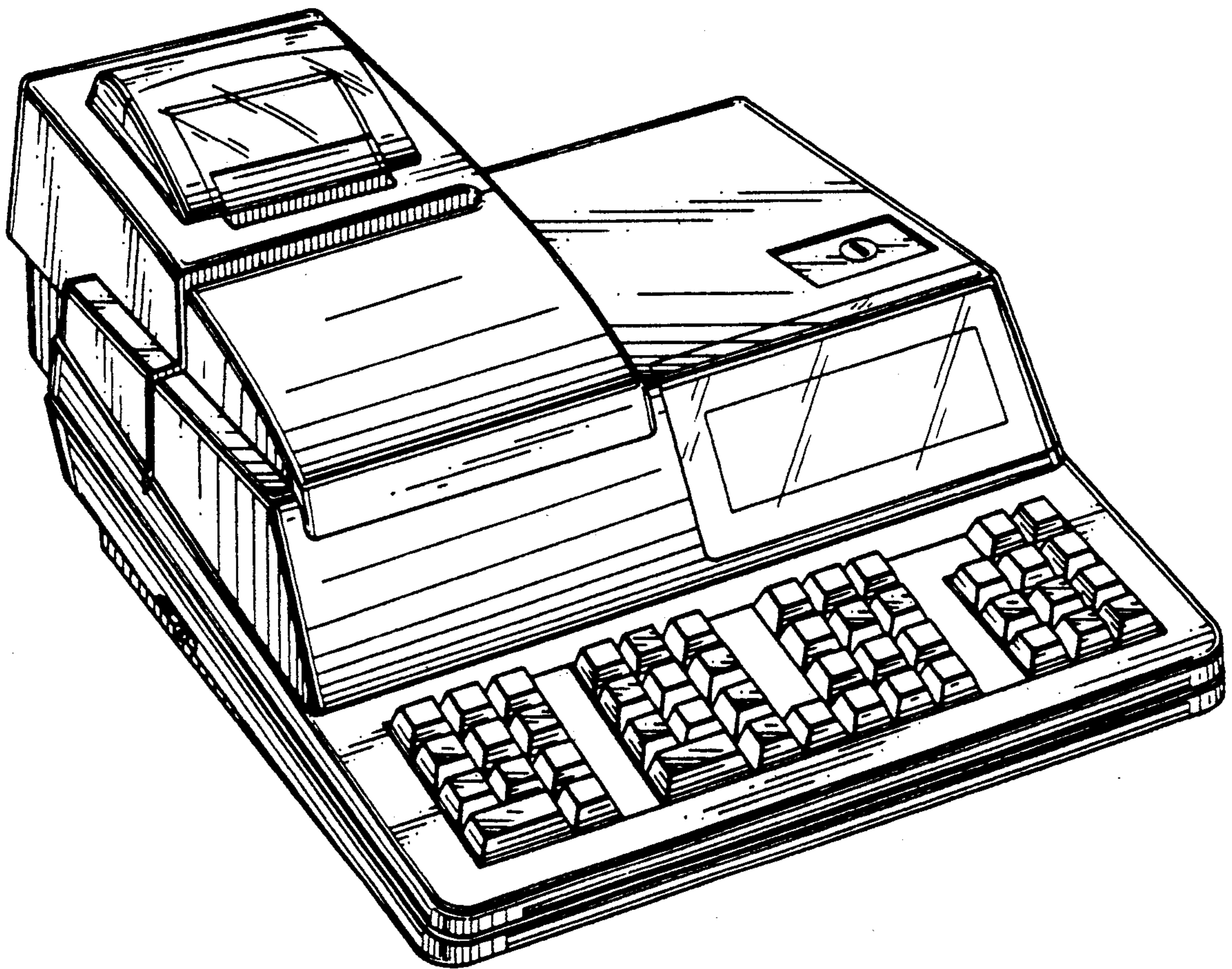


FIG. 1



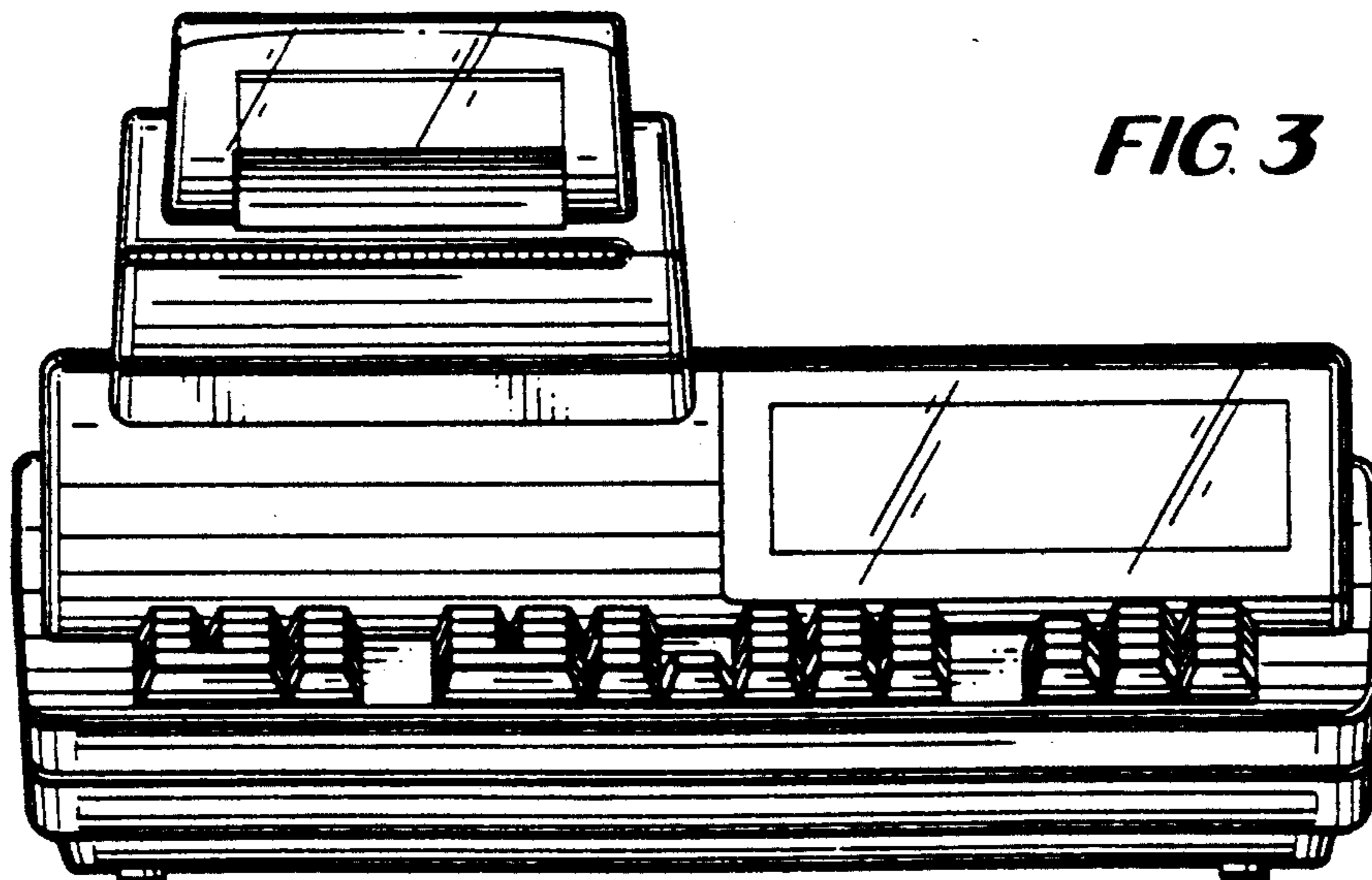
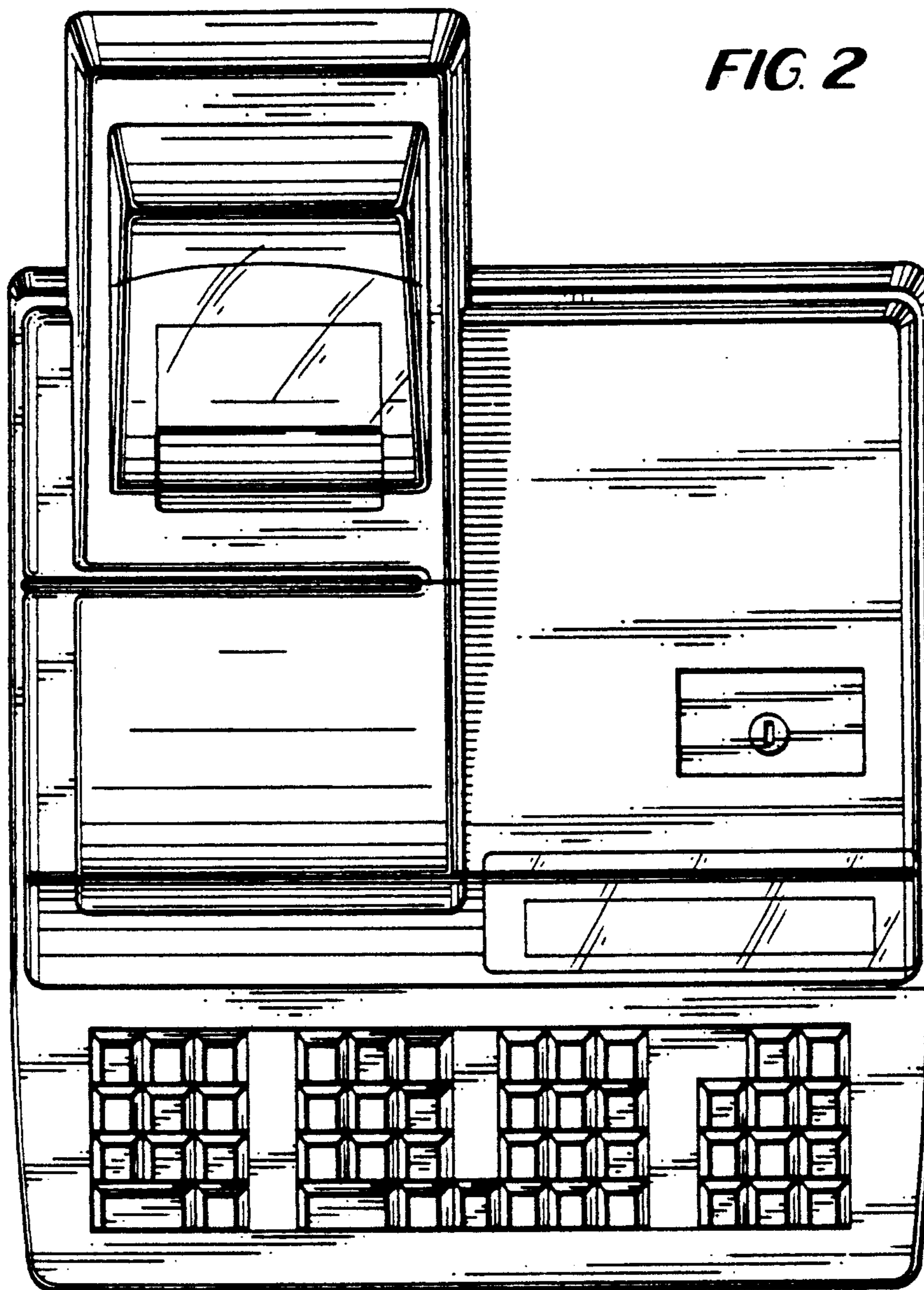


FIG. 4

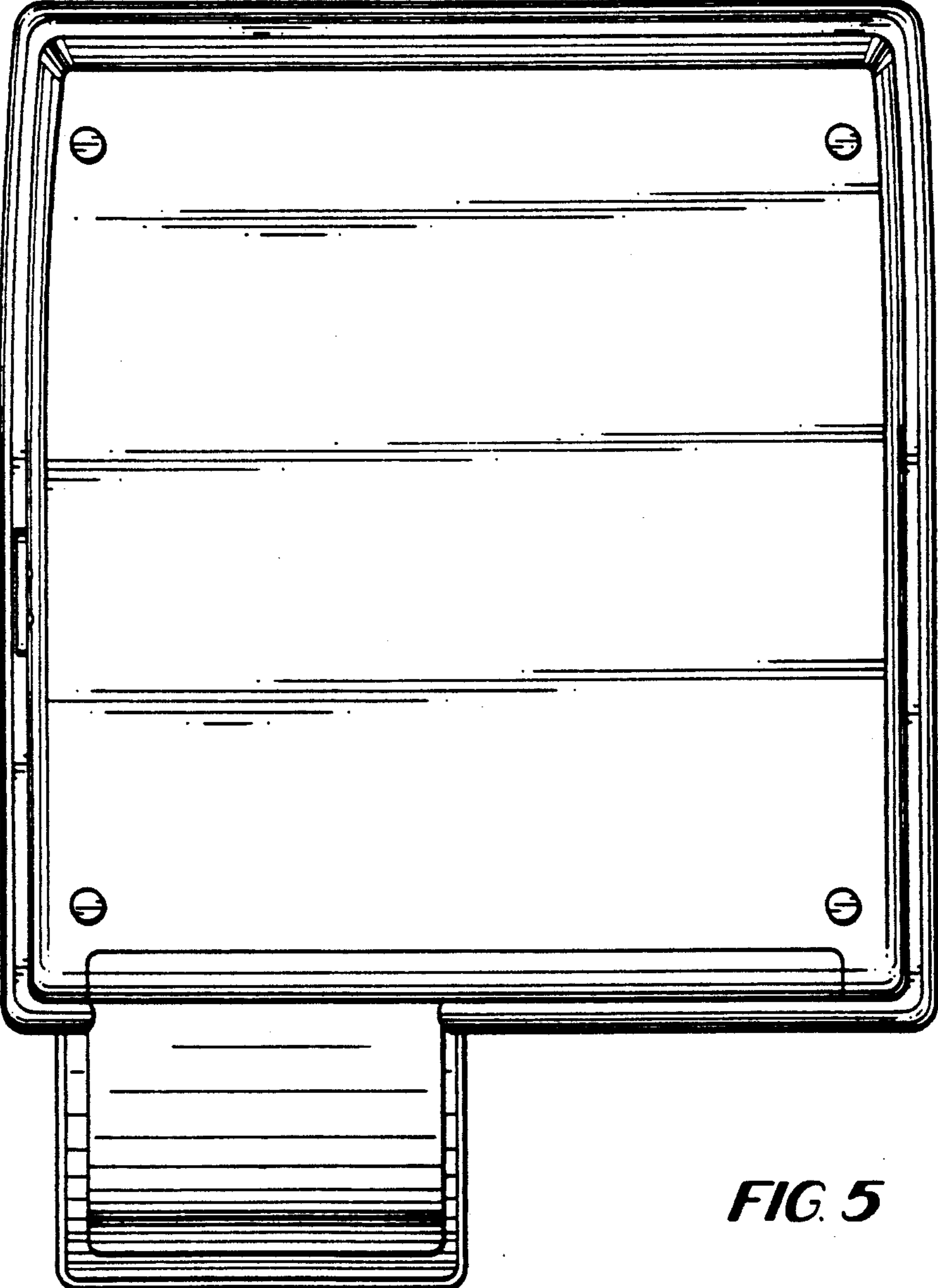
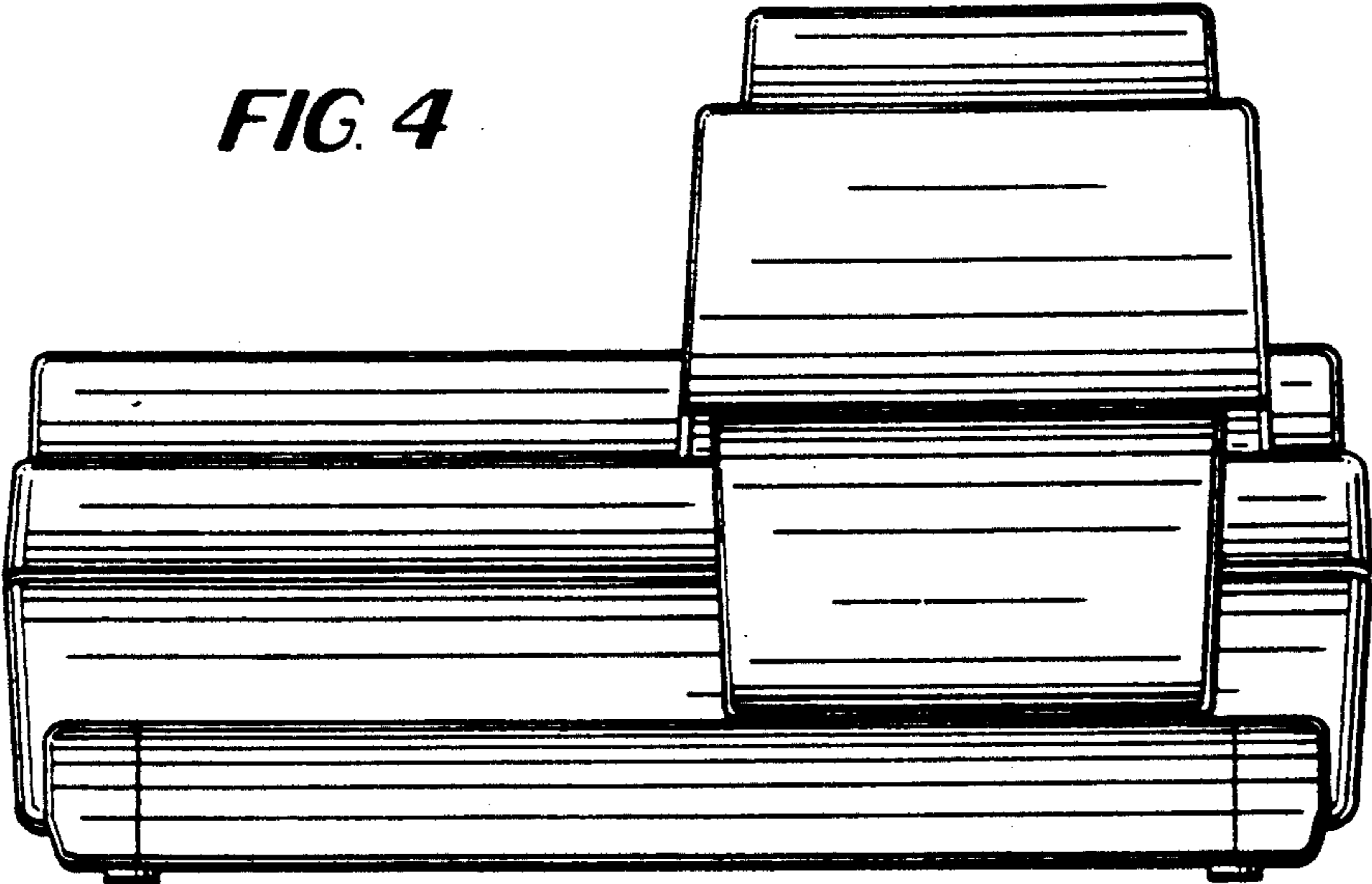


FIG. 5

FIG. 6

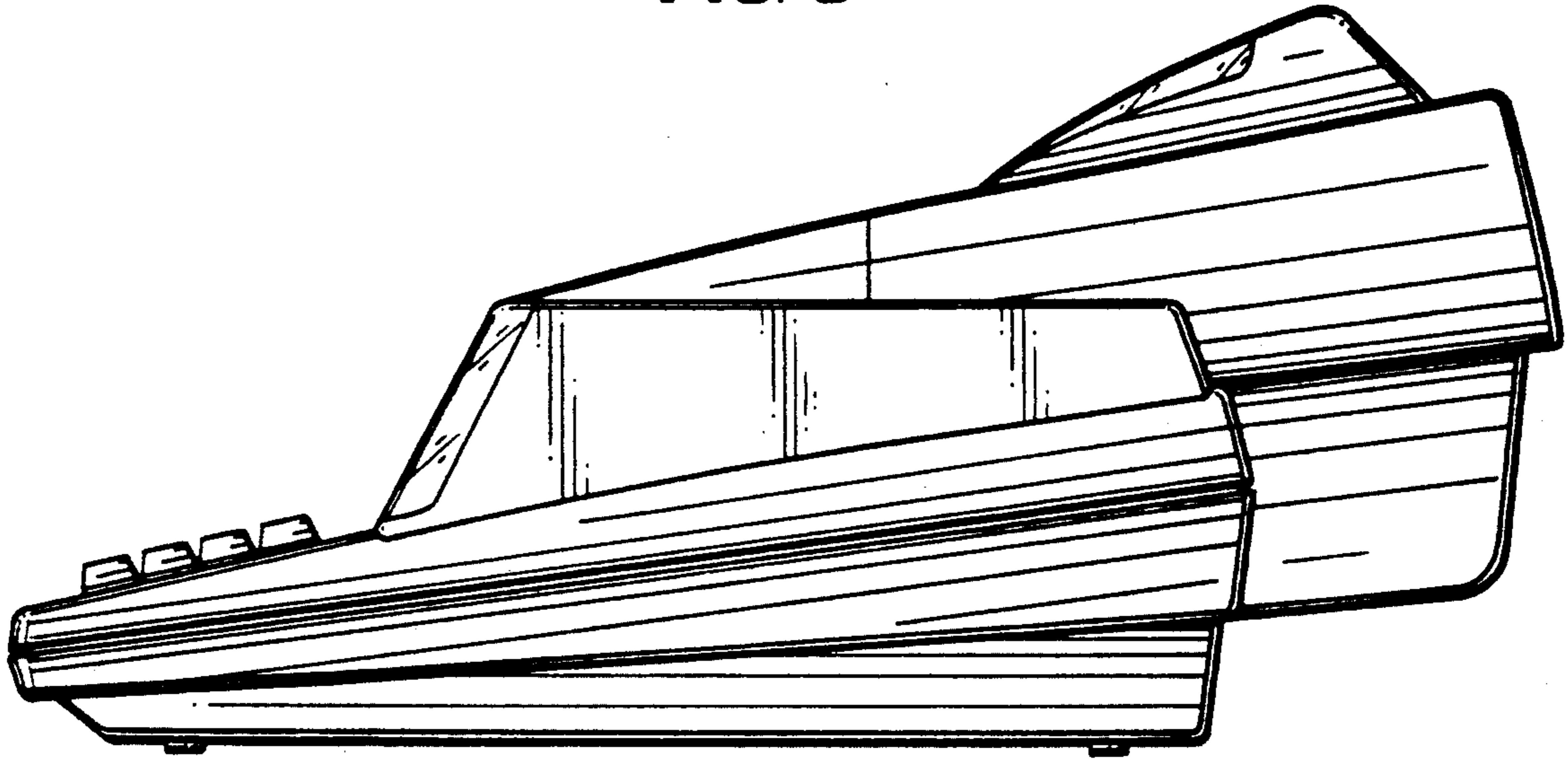


FIG. 7

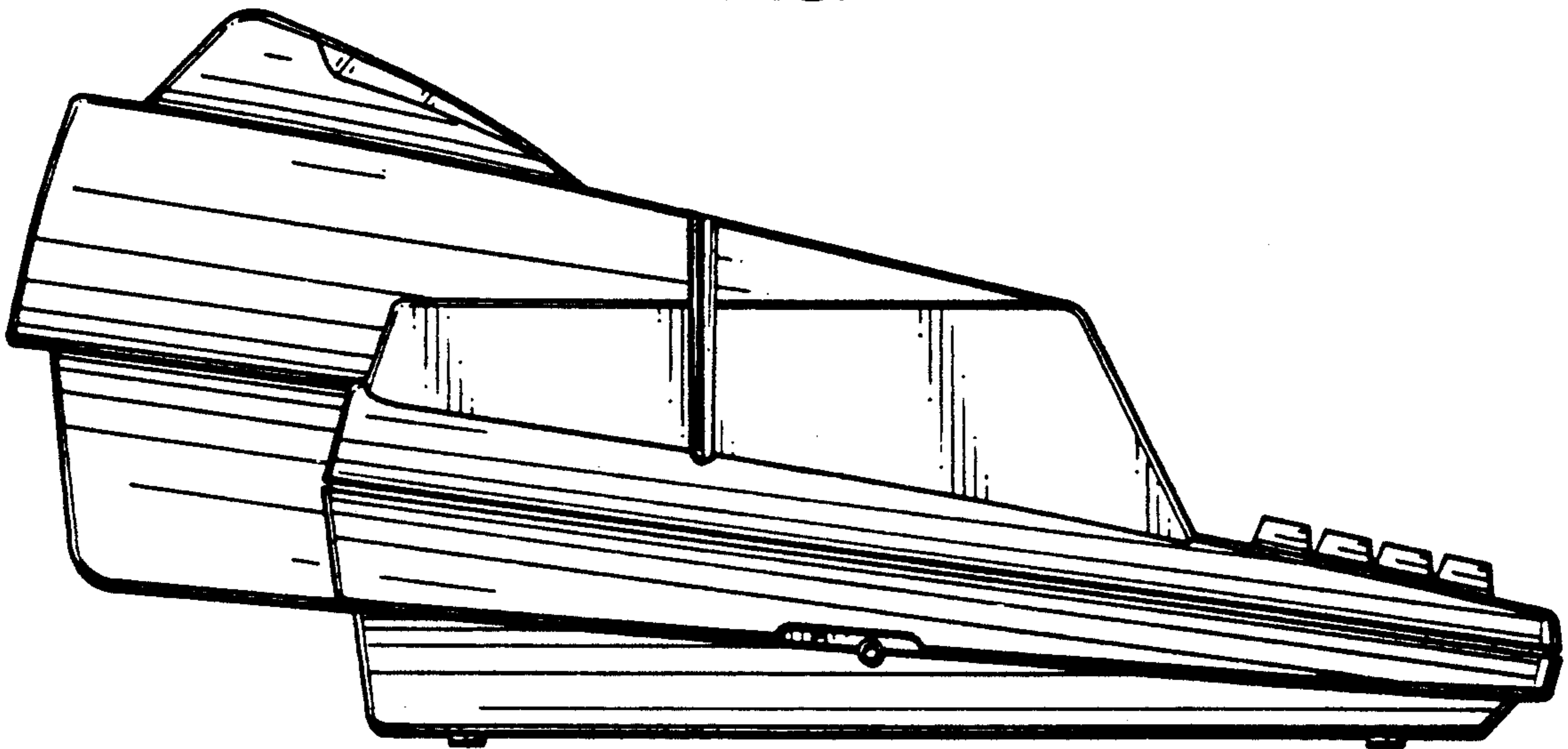


FIG. 8

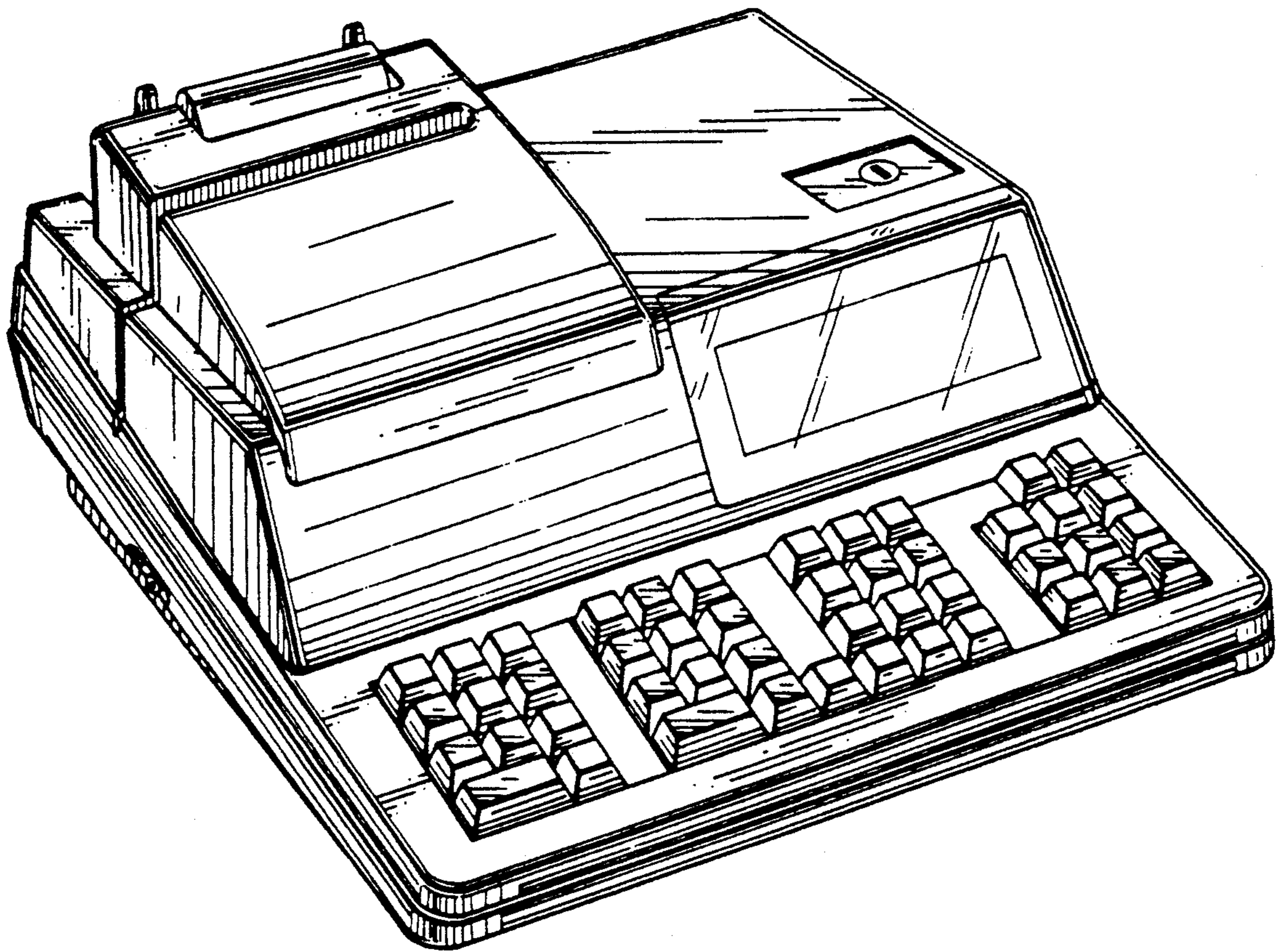


FIG. 9

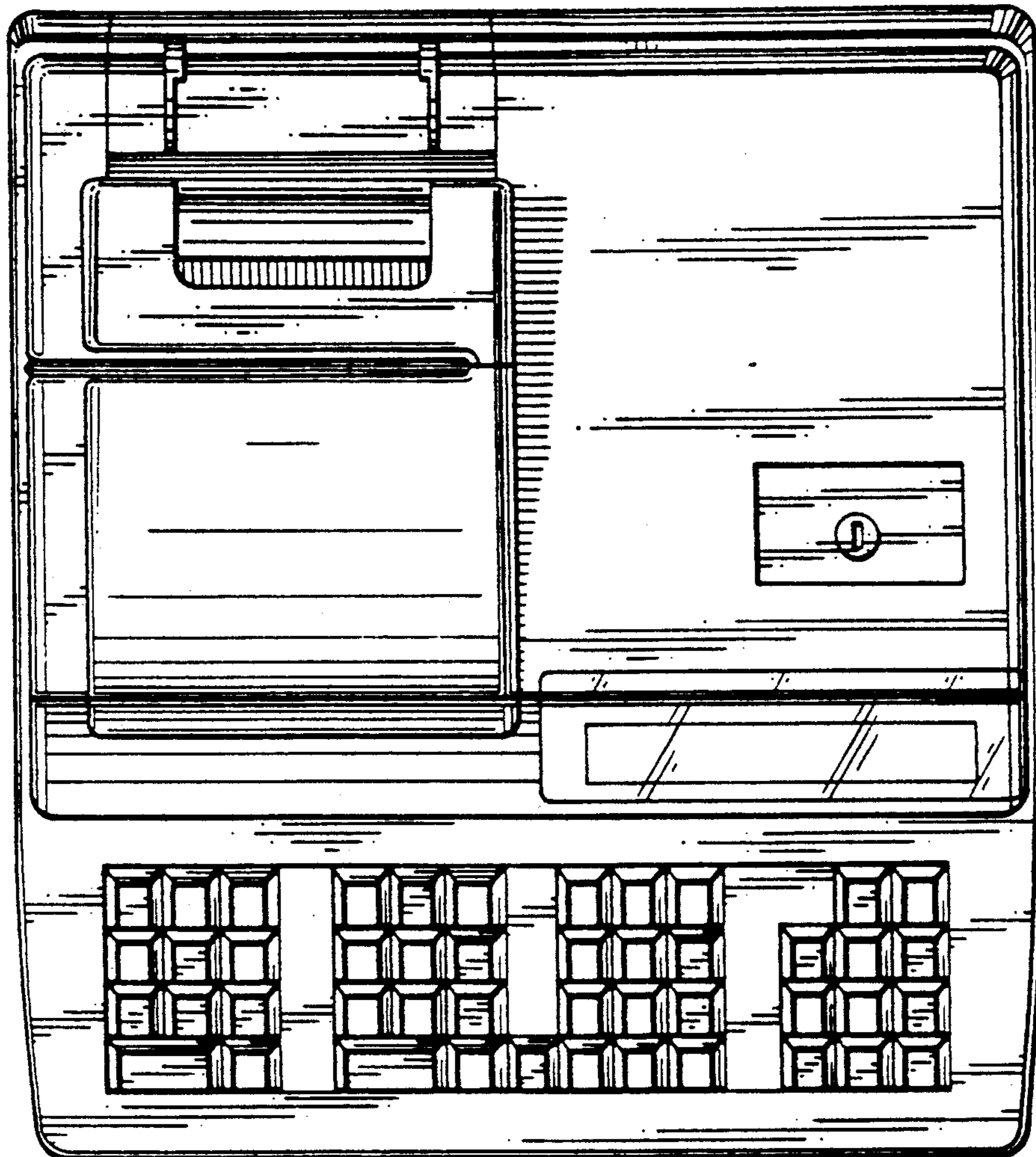


FIG. 10

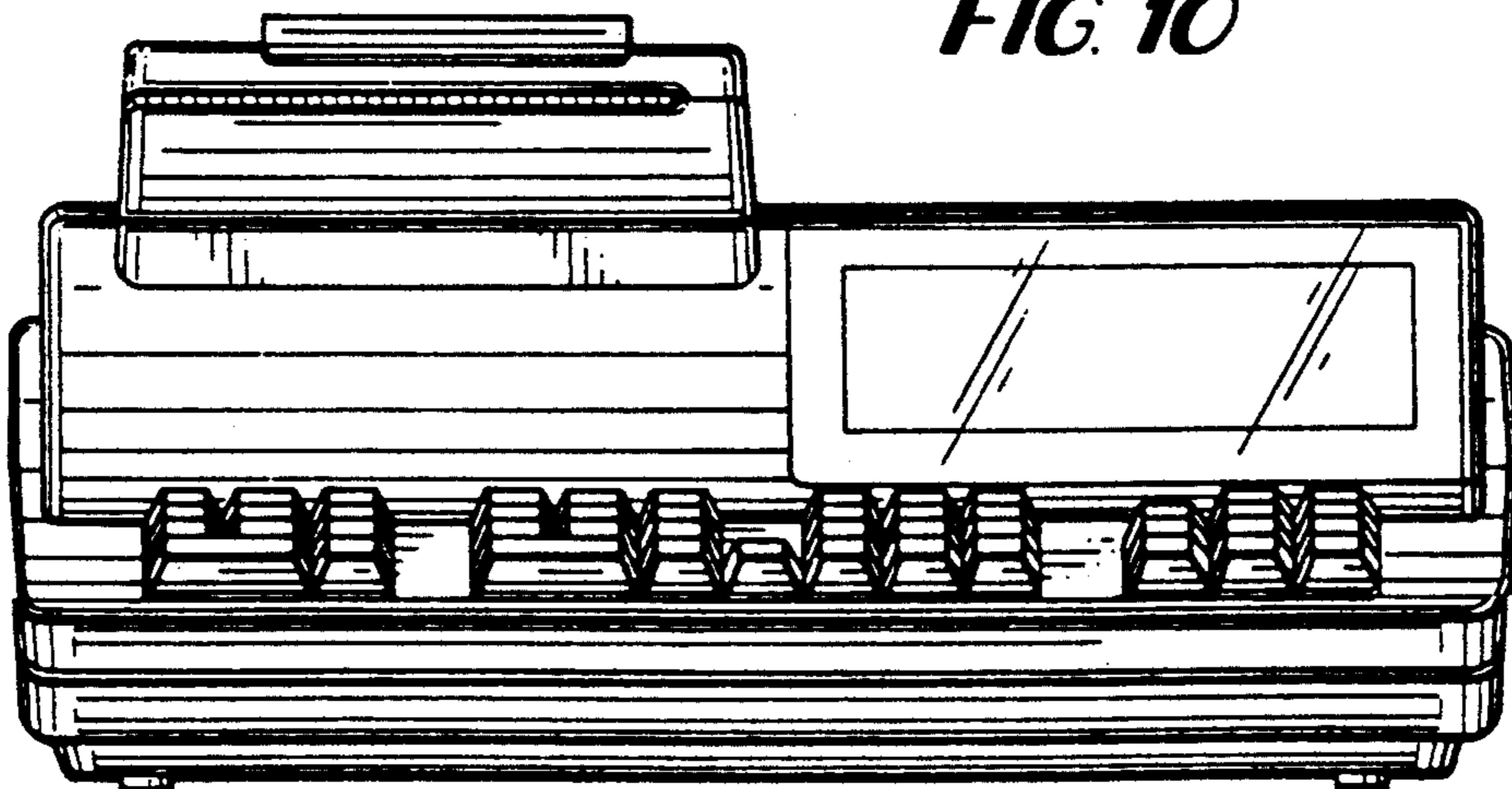


FIG. 11

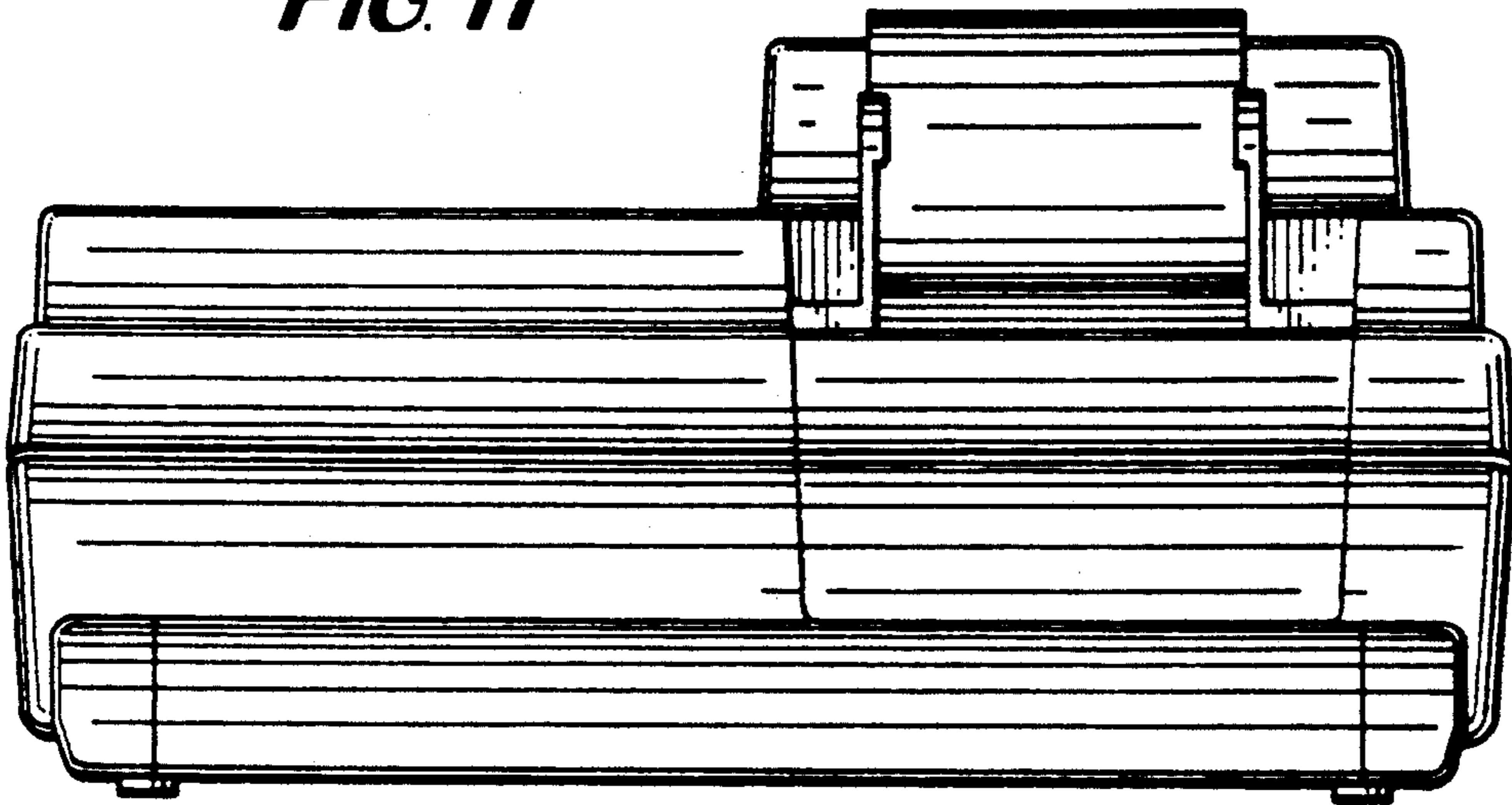


FIG. 12

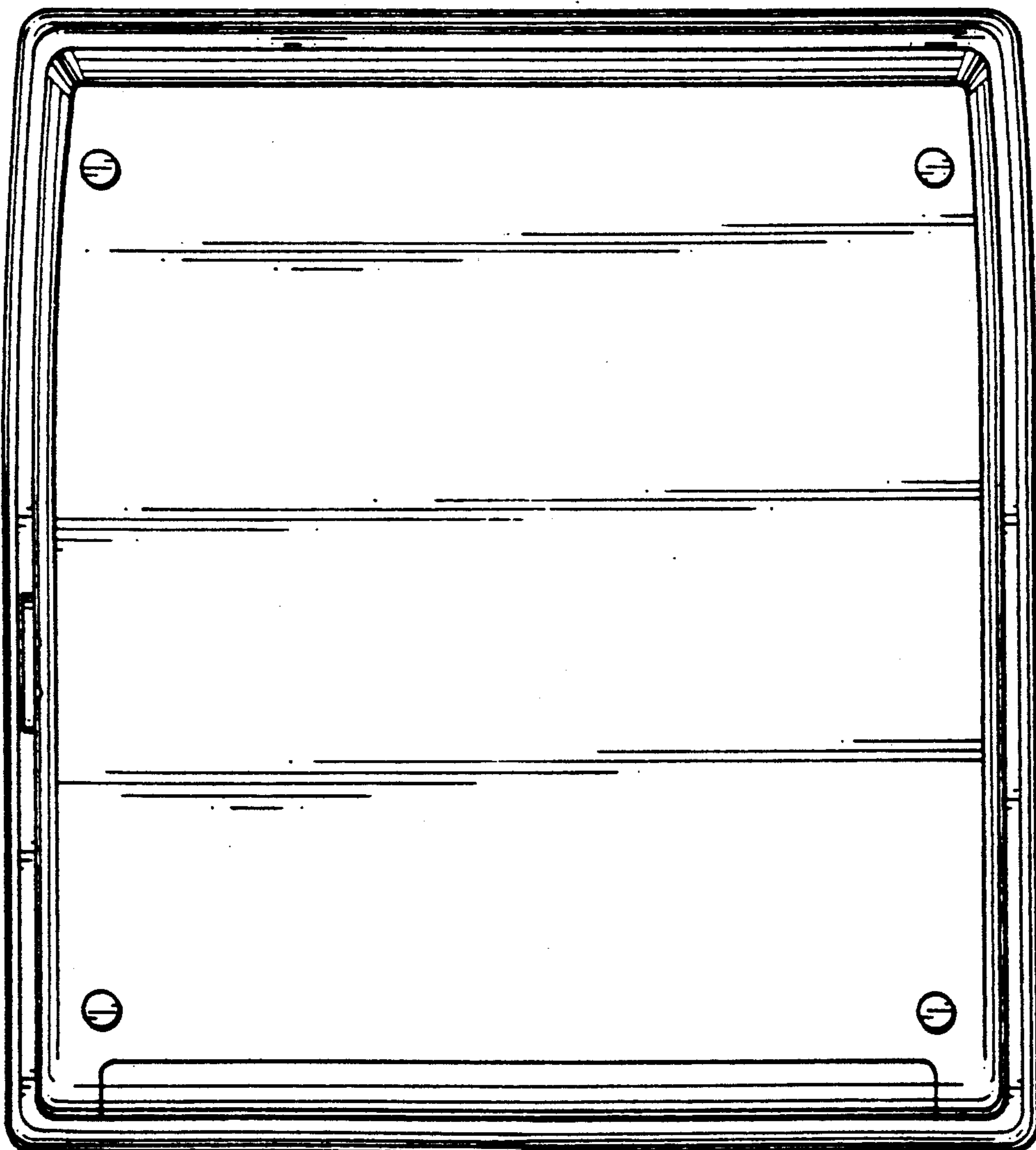


FIG. 13

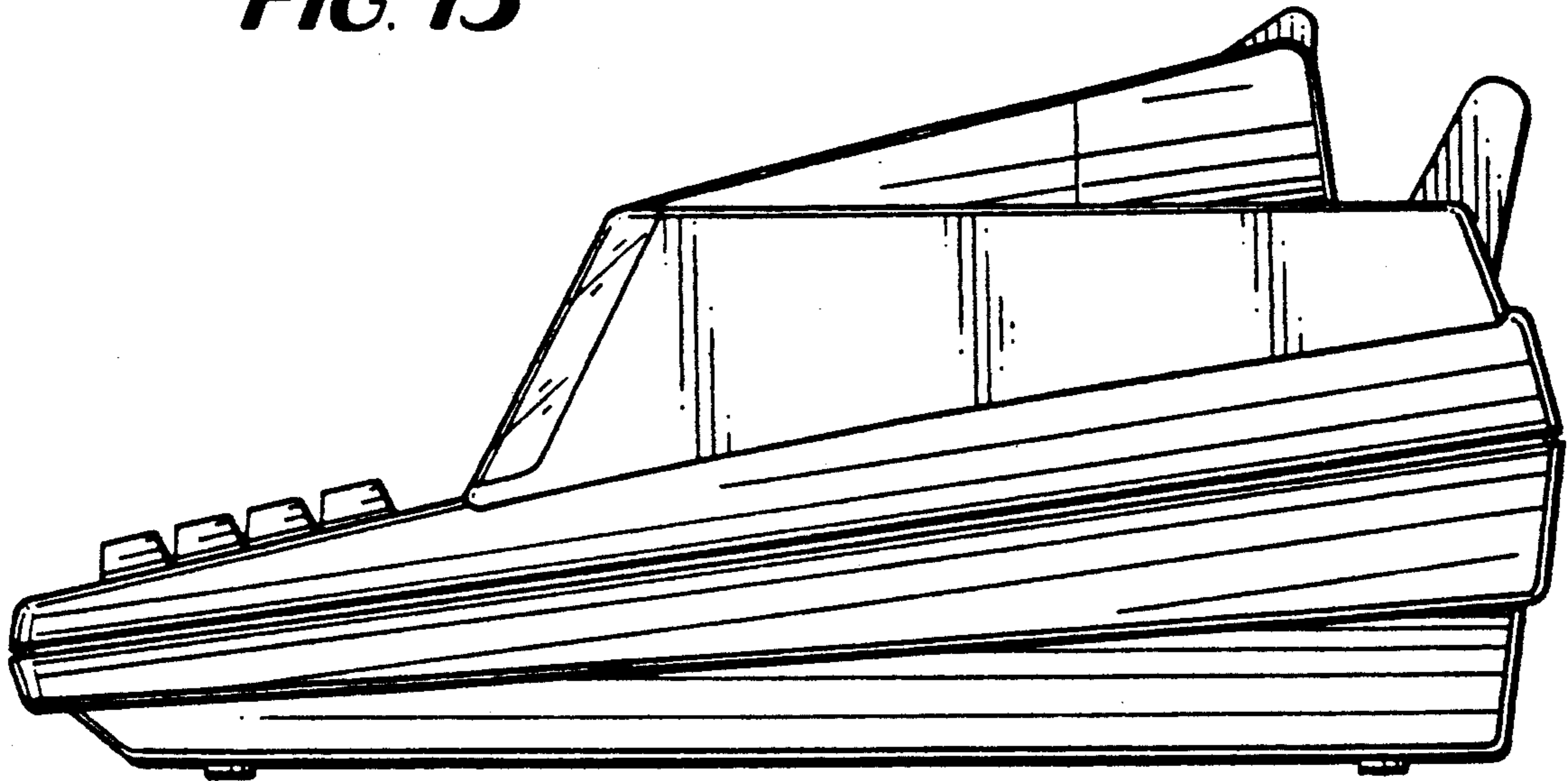


FIG. 14

