



US00D335380S

United States Patent [19]

[11] Patent Number: **Des. 335,380**

Breen

[45] Date of Patent: **** May 4, 1993**

[54] **RURAL DELIVERY MAILBOX**

[76] Inventor: **John D. Breen, 1898 Burbank Rd.,
Wooster, Ohio 44691**

[**] Term: **14 Years**

[21] Appl. No.: **742,921**

[22] Filed: **Aug. 9, 1991**

[52] U.S. Cl. **D99/29**

[58] Field of Search **D99/29; 232/17, 34,
232/37, 35, 30**

4,151,949	5/1979	Huebener	232/34
4,160,520	7/1979	Cluthe	232/17
4,367,844	1/1983	Drummond	232/17
4,552,302	11/1985	Rung	232/35
4,724,999	2/1988	Fitzgerald	232/17
4,728,028	3/1988	Barnes et al.	232/35
4,738,392	4/1988	Kovacs	232/35
4,752,030	6/1988	Witt	232/35
4,753,385	6/1988	Phipps et al.	232/17
4,756,471	7/1988	Zumach	232/17
4,757,942	7/1988	Young	232/17
4,771,941	9/1988	Bowman et al.	232/35
4,778,103	10/1988	Nelson	232/35
4,792,088	12/1988	Bonnell	232/17
4,805,834	2/1989	Saba	232/34
4,813,595	3/1989	Johns et al.	232/17
4,836,441	6/1989	Crider	232/35
4,844,332	7/1989	Long	232/17
4,848,650	7/1989	Roberts	232/17
4,858,823	8/1989	Fischer	232/34
4,950,202	8/1990	Florio	446/219

[56] **References Cited**
U.S. PATENT DOCUMENTS

D. 183,625	9/1958	Masso	D99/29
D. 200,452	2/1965	Duncan	D99/29
D. 222,185	10/1971	Levine	D99/29
D. 254,455	3/1980	Cornwell, Jr. et al.	D99/29
D. 296,602	7/1988	Klein	D99/30
D. 301,928	6/1989	Hogge	D99/29
2,687,846	8/1954	Chrisman	232/35
2,852,185	9/1958	Stouten	232/35
2,905,378	9/1959	Cox et al.	232/35
2,988,268	6/1961	Mioduski	232/35
3,081,023	3/1963	Taylor	232/24
3,294,057	12/1966	Feil	116/132
3,498,256	3/1970	Hebal	116/132
3,602,423	8/1971	Corkery	232/17
3,602,424	8/1971	Raulston	232/35
3,648,924	3/1972	Burns	232/35
3,802,619	4/1974	Vanderveer	232/17
3,825,173	7/1974	Sunday	232/17
3,942,715	3/1976	Anderson	232/17
3,960,317	6/1976	Clement	232/35
4,005,816	2/1977	Malik	232/35
4,147,292	4/1979	Fisher	232/35

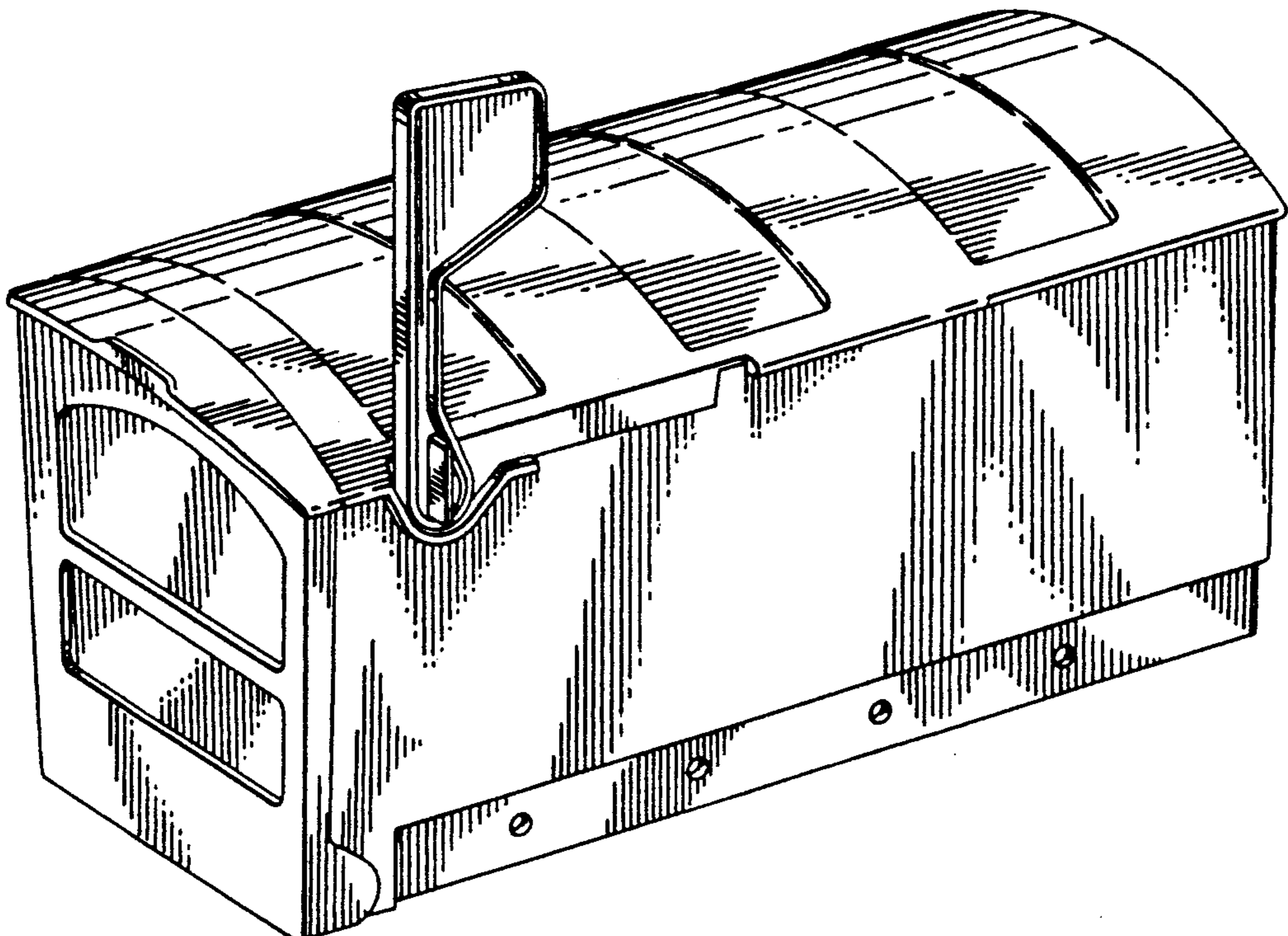
Primary Examiner—Alan P. Douglas
Assistant Examiner—J. H. Musgrove

[57] **CLAIM**

The ornamental design for a rural delivery mailbox, as shown and described.

DESCRIPTION

FIG. 1 is a top right front perspective view of a rural delivery mailbox showing my new design;
FIG. 2 is a left side elevational view thereof;
FIG. 3 is a top plan view thereof;
FIG. 4 is a bottom plan view thereof;
FIG. 5 is a front elevational view thereof; and,
FIG. 6 is a rear elevational.



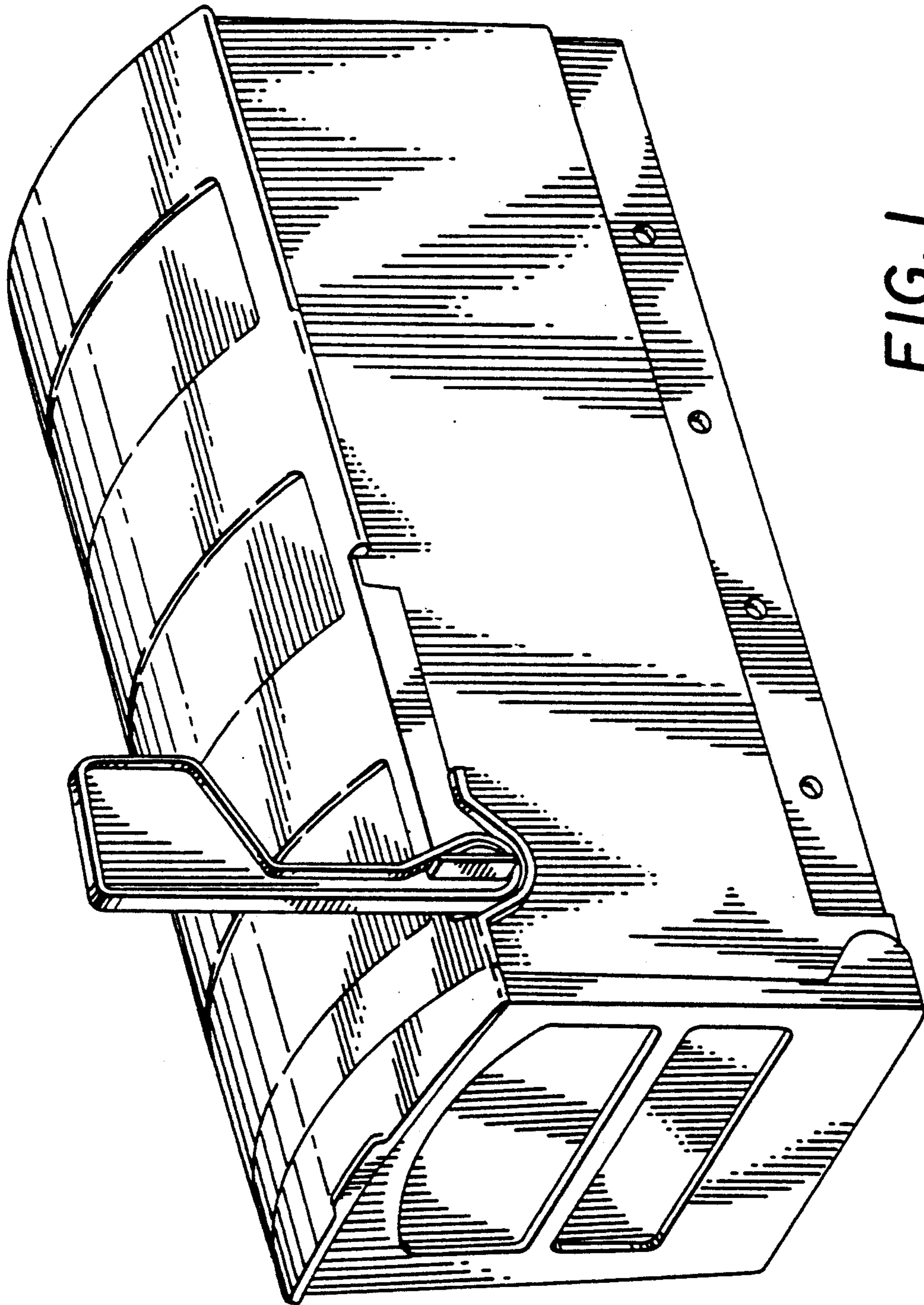


FIG. 1

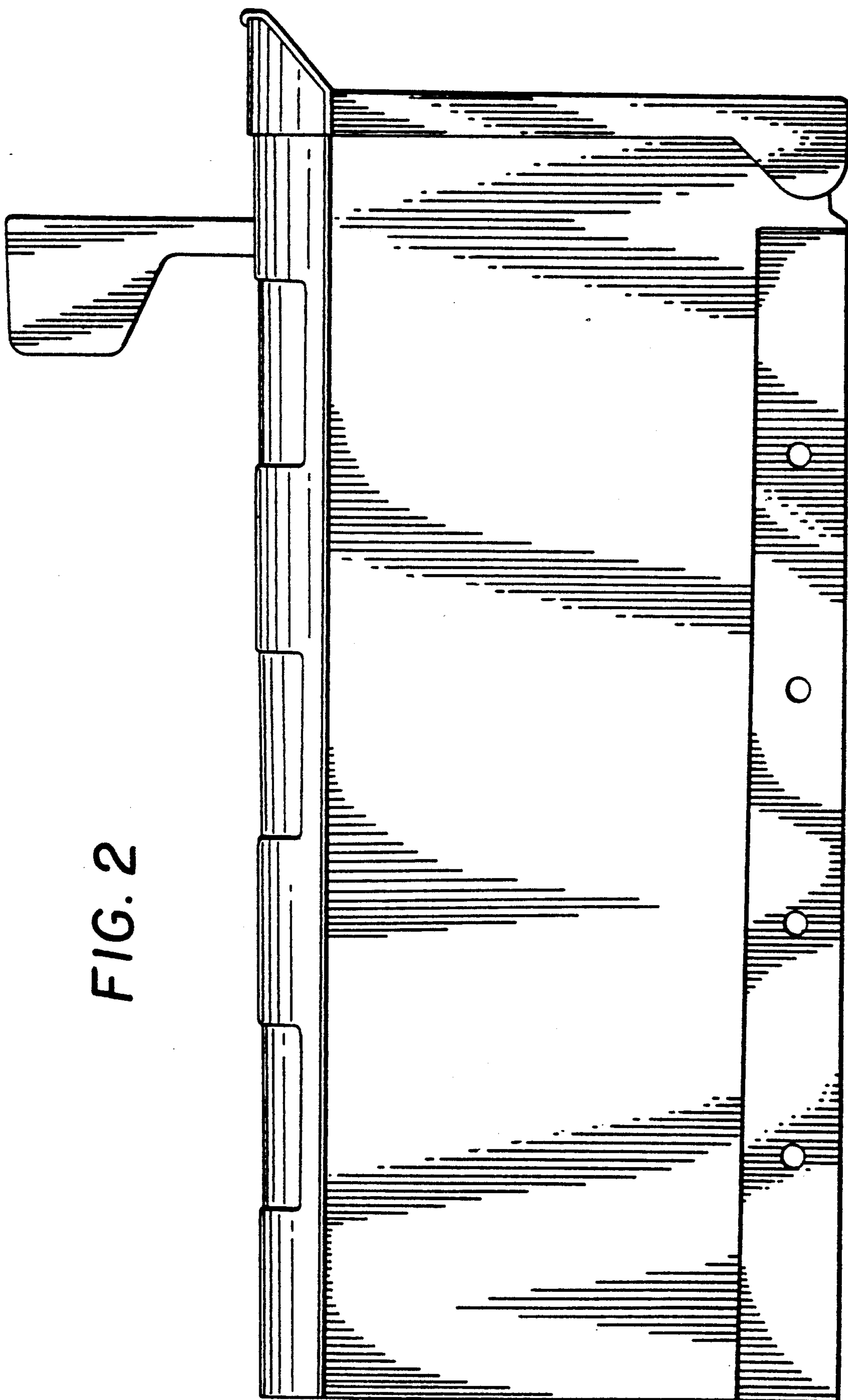


FIG. 2

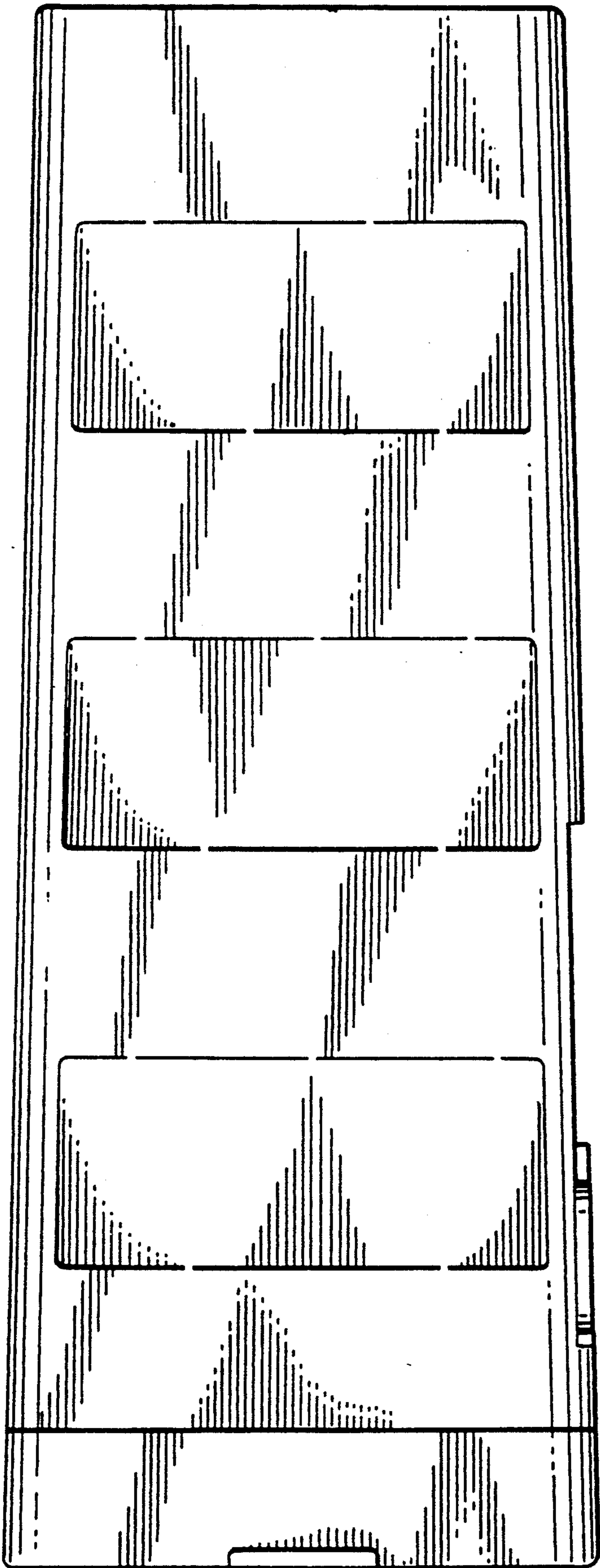


FIG. 3

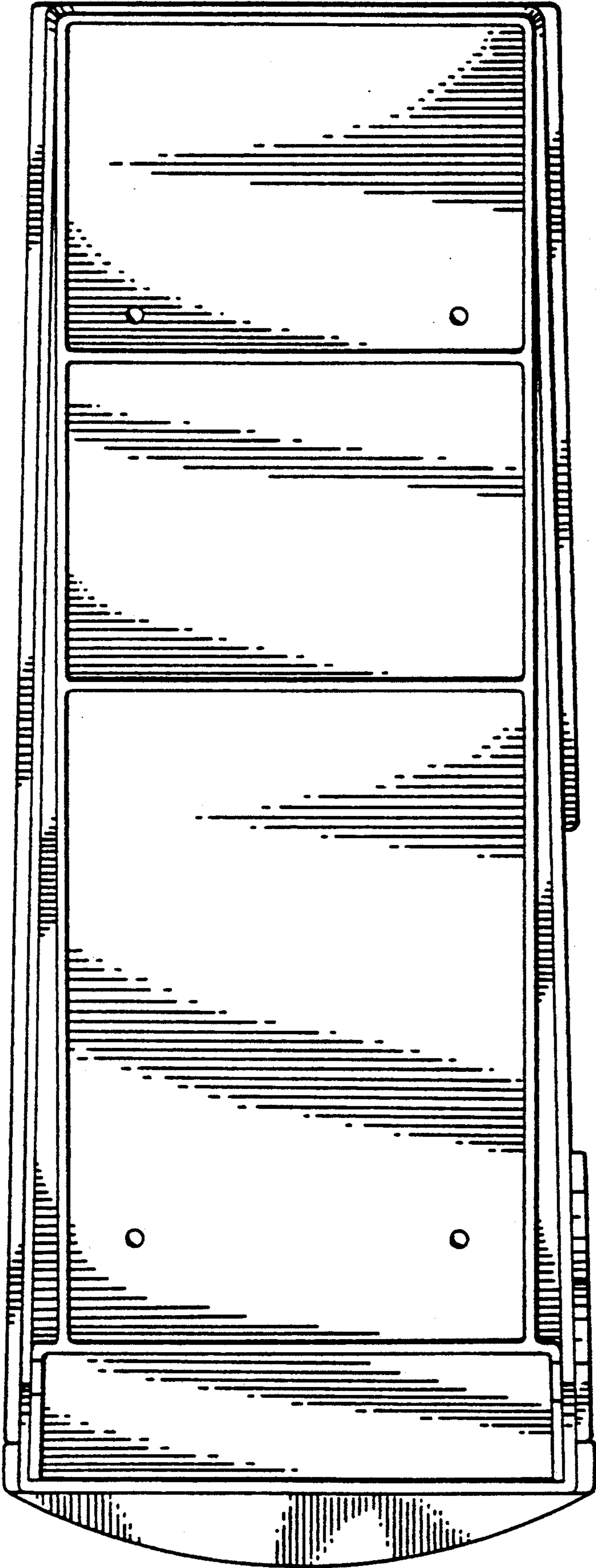


FIG. 4

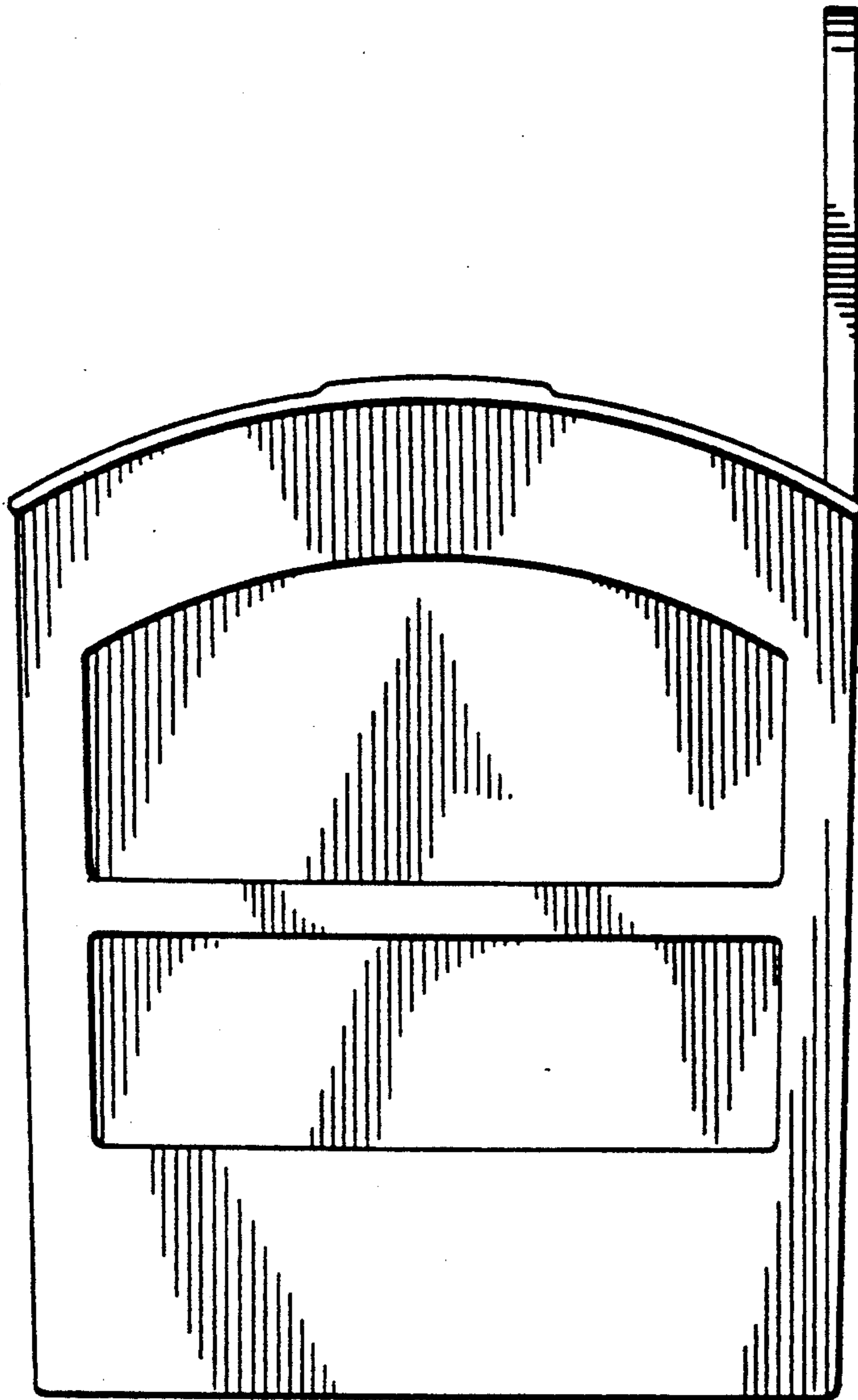


FIG. 5

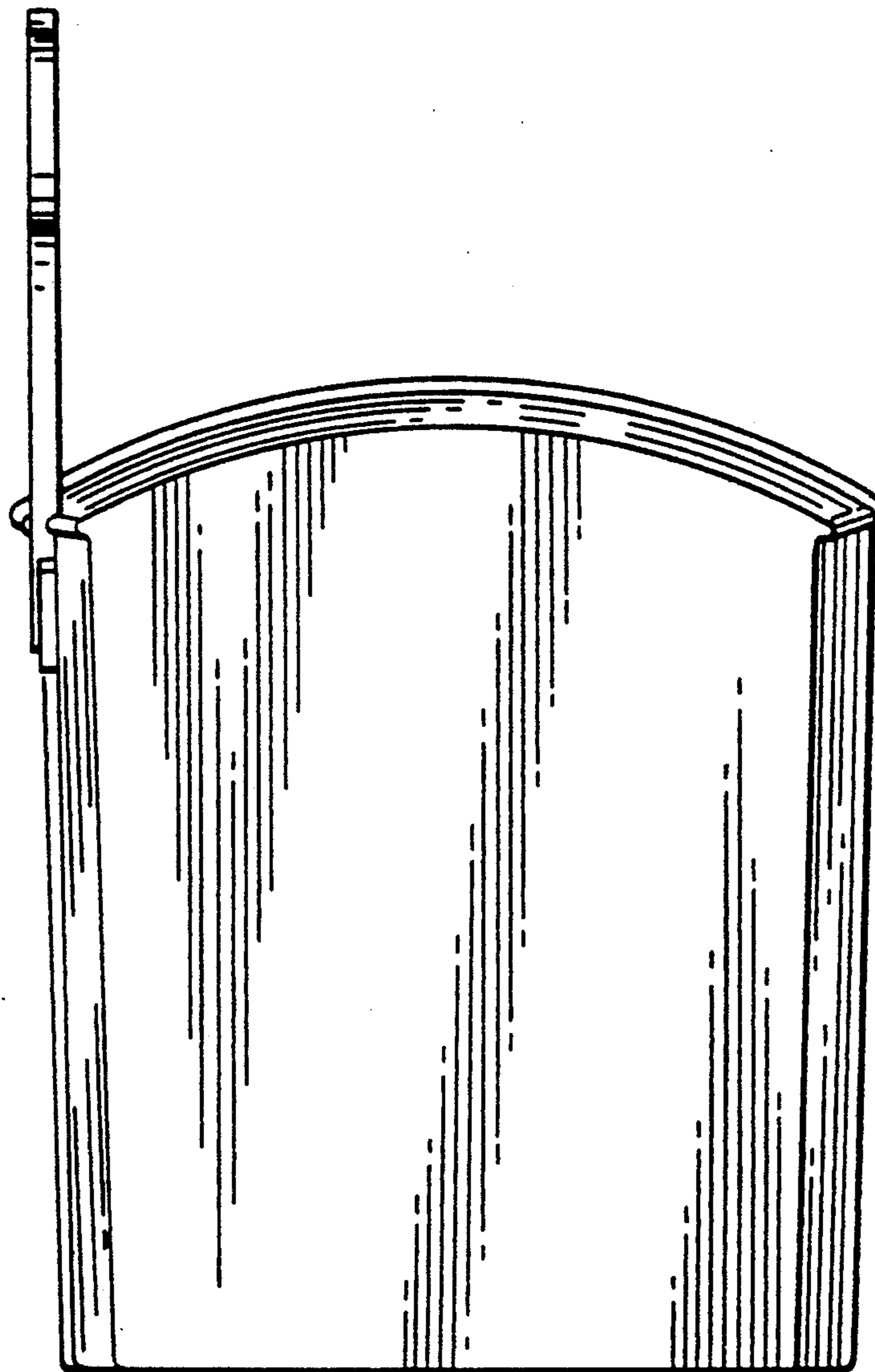


FIG. 6