



US00D335374S

United States Patent [19]

[11] Patent Number: **Des. 335,374**

Schulze et al.

[45] Date of Patent: **** May 4, 1993**

[54] DOLLY

[56] References Cited

[75] Inventors: **Curt J. Schulze, Lakeland, Fla.;**
James M. Nichols, Old Saybrook,
Conn.

U.S. PATENT DOCUMENTS

D. 269,216 5/1983 Greenheck D34/23
D. 309,811 8/1990 Terrizzi D34/27

[73] Assignee: **Browning-Ferris Industries, Inc.,**
Houston, Tex.

Primary Examiner—Kay H. Chin
Attorney, Agent, or Firm—Robert R. Jackson

[**] Term: **14 Years**

[57] CLAIM

The ornamental design for a dolly, as shown and described.

[21] Appl. No.: **735,474**

DESCRIPTION

[22] Filed: **Jul. 25, 1991**

[52] U.S. Cl. **D34/23; D34/27**

[58] Field of Search **D34/12, 23, 27;**
280/79.11, 79.3, 79.2; 248/129

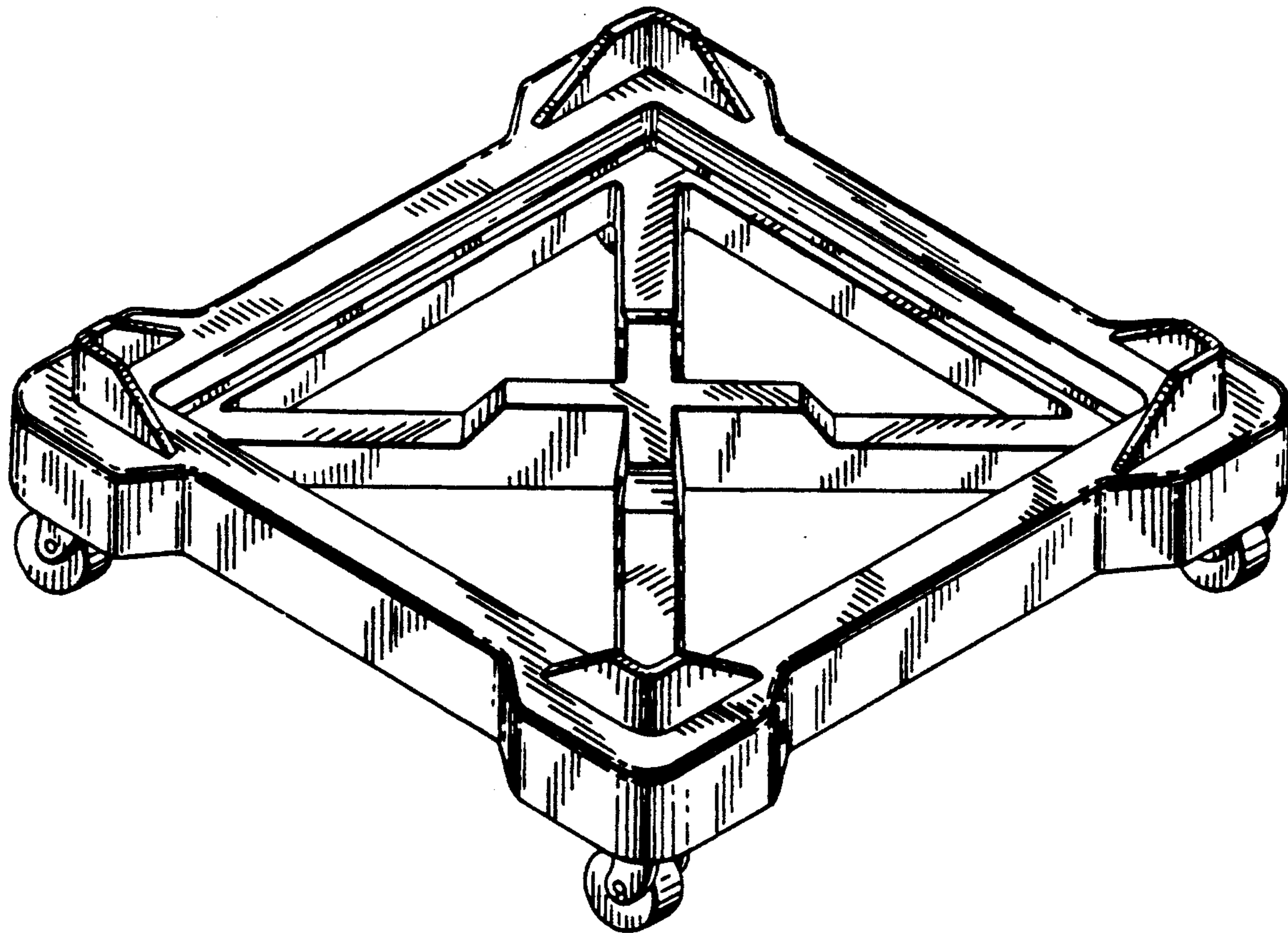
FIG. 1 is a perspective view of our new dolly design, the orientations of the casters in all views being entirely arbitrary;

FIG. 2 is a top view thereof;

FIG. 3 is a rear elevation thereof, the front elevation being identical;

FIG. 4 is a left side elevation thereof, the right side elevation being identical; and,

FIG. 5 is a bottom view thereof.



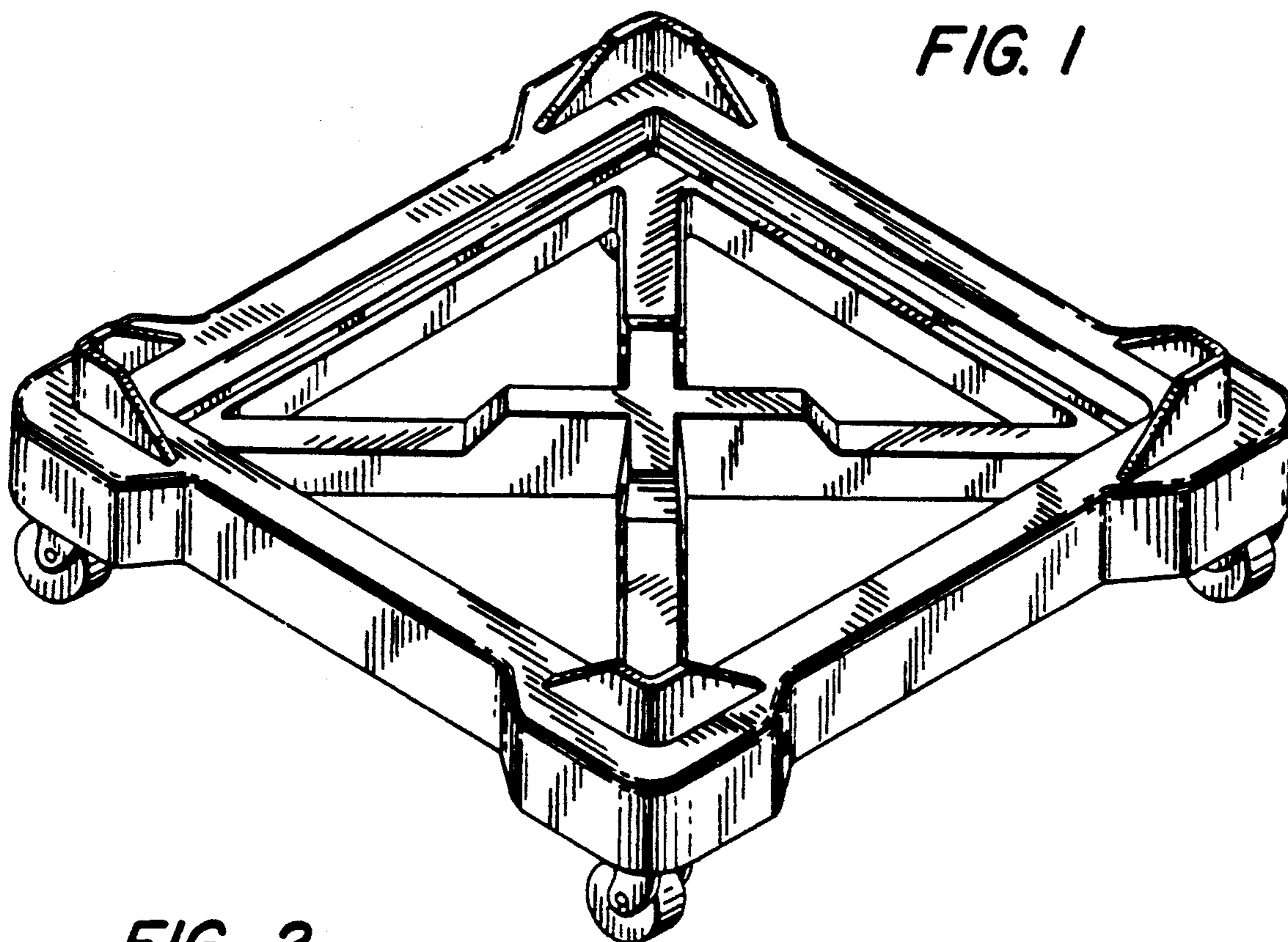


FIG. 2

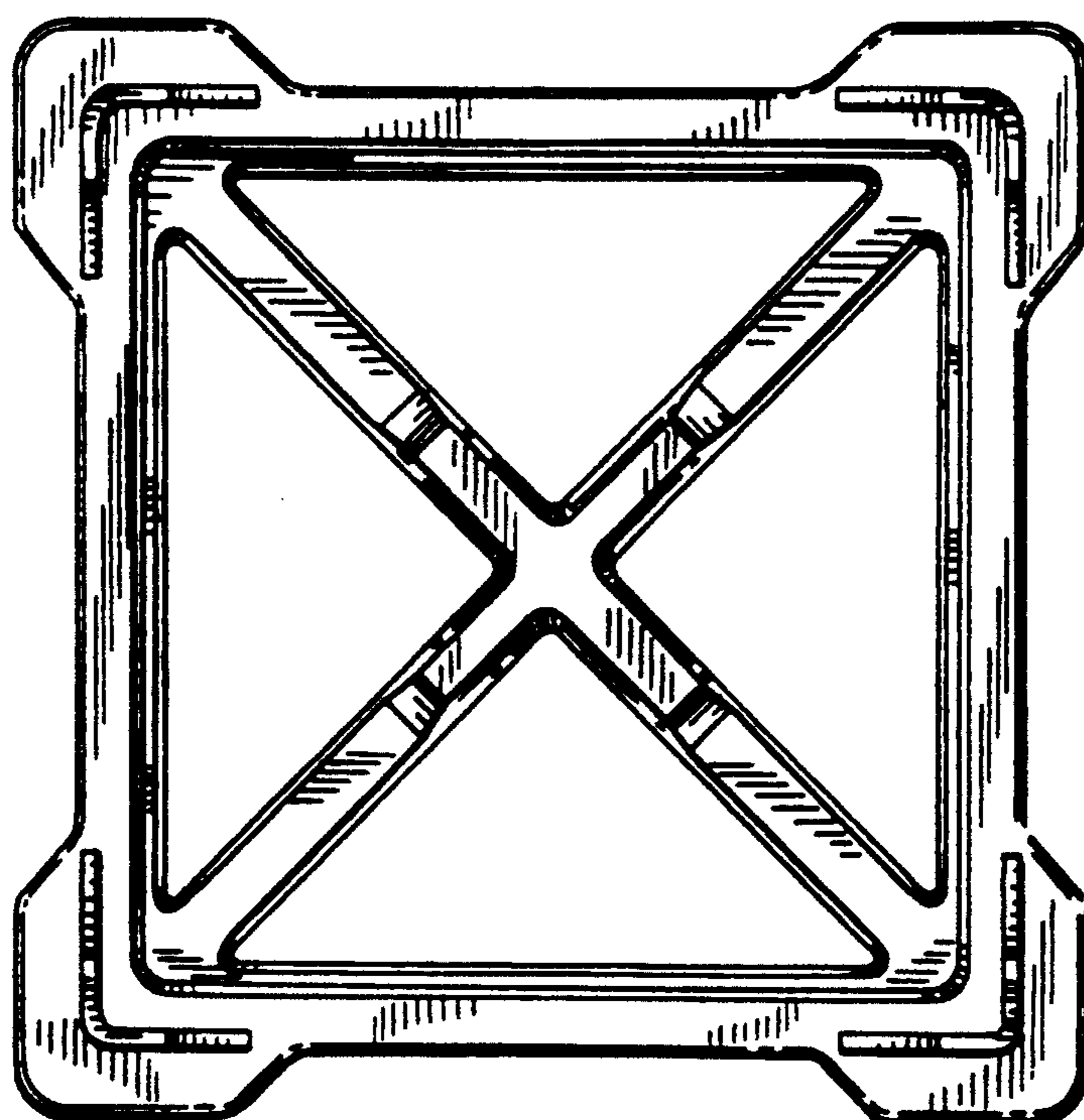


FIG. 3

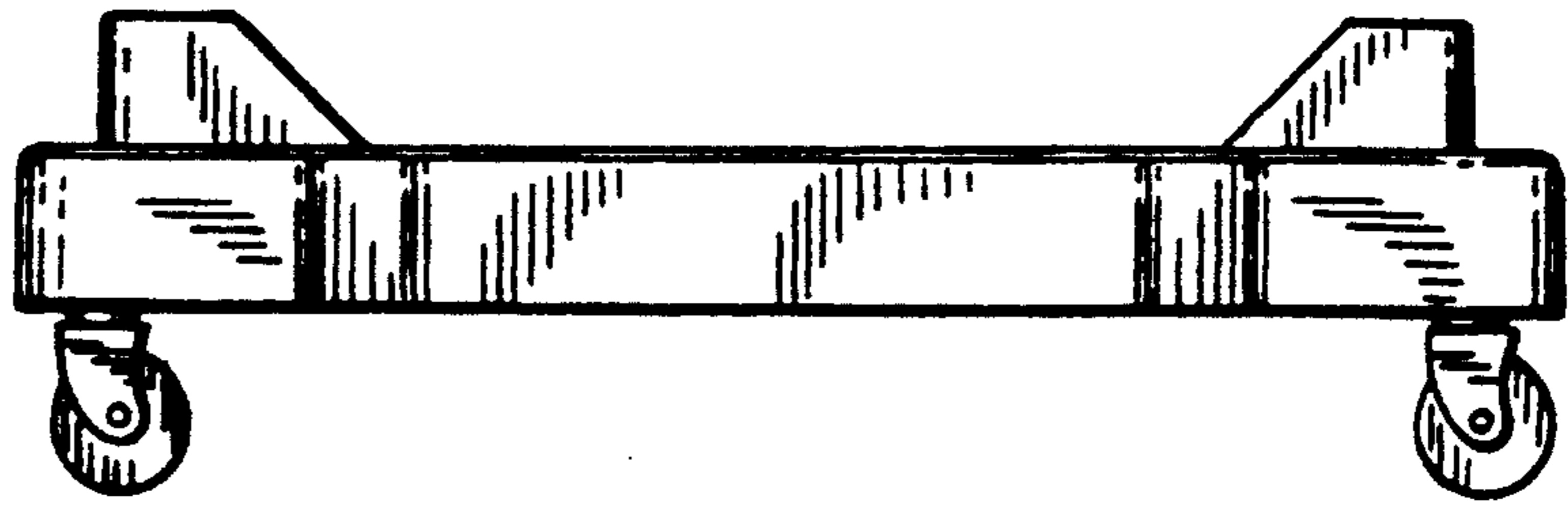


FIG. 4

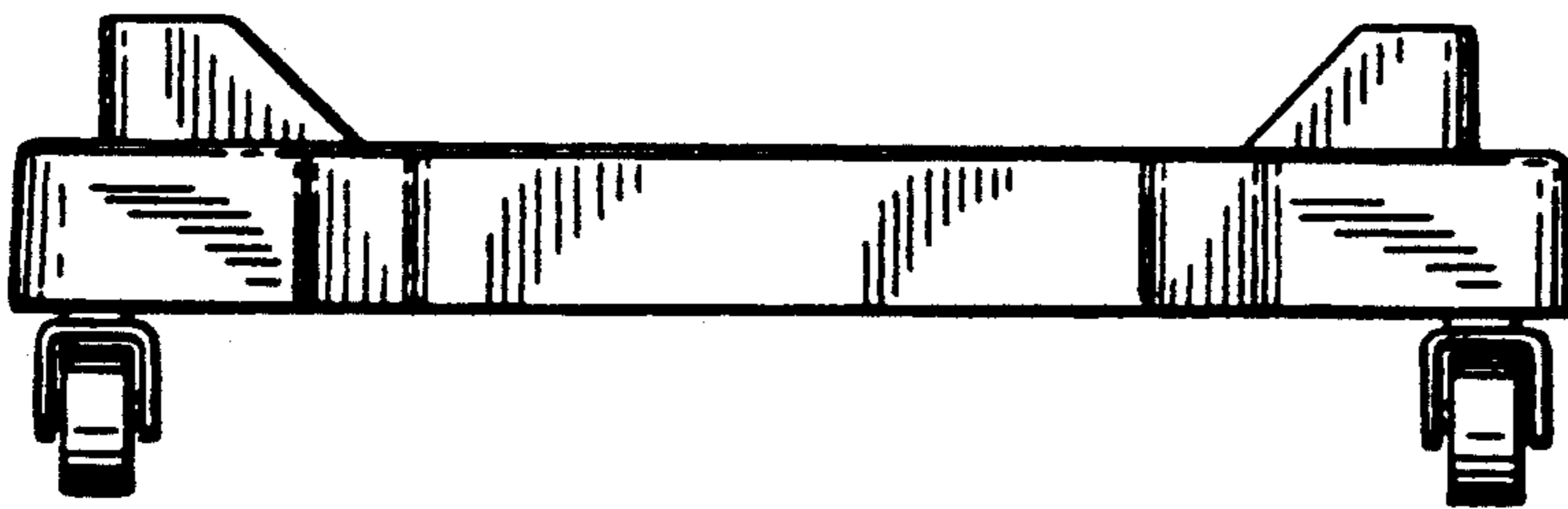


FIG. 5

