



US00D335370S

United States Patent [19]

[11] Patent Number: Des. 335,370

Kirk

[45] Date of Patent: ** May 4, 1993

[54] **AUTOMATIC ANIMAL FEEDER**

[75] Inventor: **Christopher P. Kirk**,
Sunbury-on-Thames, United Kingdom
[73] Assignee: **Pet Mate Limited**, Middlesex, United Kingdom

[**] Term: **14 Years**

[21] Appl. No.: **673,521**

[22] Filed: **Mar. 22, 1991**

[30] **Foreign Application Priority Data**

Oct. 9, 1990 [GB] United Kingdom 2010140

[52] U.S. Cl. **D30/122**

[58] Field of Search 119/18, 24-26,
119/51.1, 51.03, 51.5, 51.11-51.12, 51.14-51.15,
52.1, 52.3-52.4, 53, 56.1-56.2, 57.1, 57.6-57.7,
61, 63, 72, 72.5; D30/119, 121-122, 124-133;
222/650; 220/525, 502, 254

[56] **References Cited**

U.S. PATENT DOCUMENTS

- D. 236,012 7/1975 Crawford D30/122
- D. 286,333 10/1986 Fassauer D30/130
- D. 317,666 6/1991 Haynes D30/131
- 4,089,414 5/1978 Sandor et al. 220/23.6

- 4,261,468 4/1981 Krebs 220/525
- 4,421,059 12/1983 Cousino 119/51.12
- 4,450,790 5/1984 Stansbury, Jr. 119/51.12
- 4,501,229 2/1985 Williamson 119/51.12
- 4,617,874 10/1986 Zammarano 119/51.12
- 4,671,210 6/1987 Robinson et al. 119/51.12

FOREIGN PATENT DOCUMENTS

- 2498889 8/1982 France 119/51.12
- 1546638 4/1979 United Kingdom 119/51.12
- 2128868 5/1984 United Kingdom 119/51.12
- 2215312 9/1989 United Kingdom 220/525

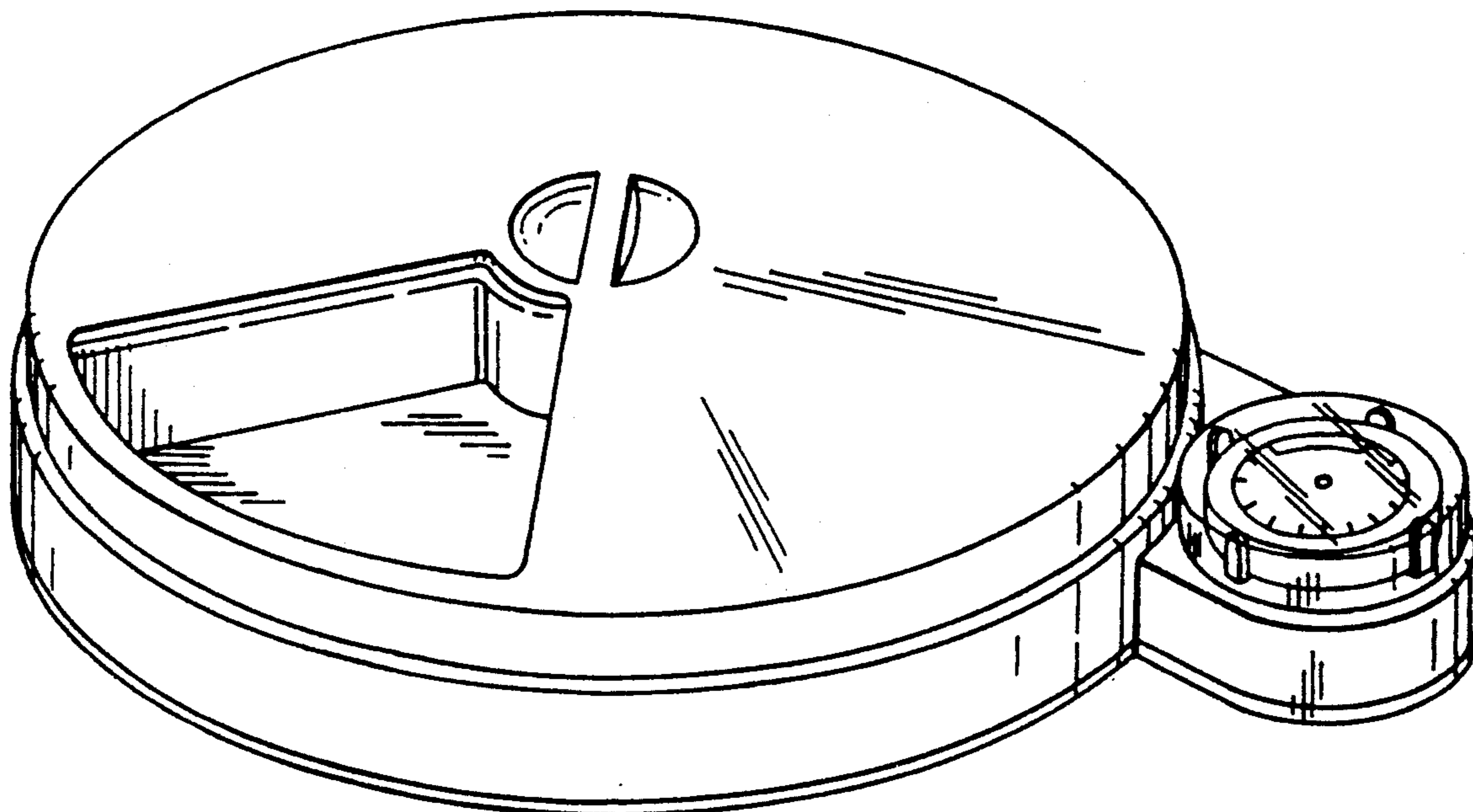
Primary Examiner—A. Hugo Word
Assistant Examiner—CathyAnne MacCormac
Attorney, Agent, or Firm—Young & Thompson

[57] **CLAIM**

The ornamental design for an automatic animal feeder, as shown and described.

DESCRIPTION

FIG. 1 is a top perspective view of an automatic animal feeder showing my new design, the bottom being plain and unornamented;
FIG. 2 is a front elevational view thereof;
FIG. 3 is a top plan view thereof;
FIG. 4 is a view thereof from the right of FIG. 2; and,
FIG. 5 is a view thereof from the left of FIG. 2.



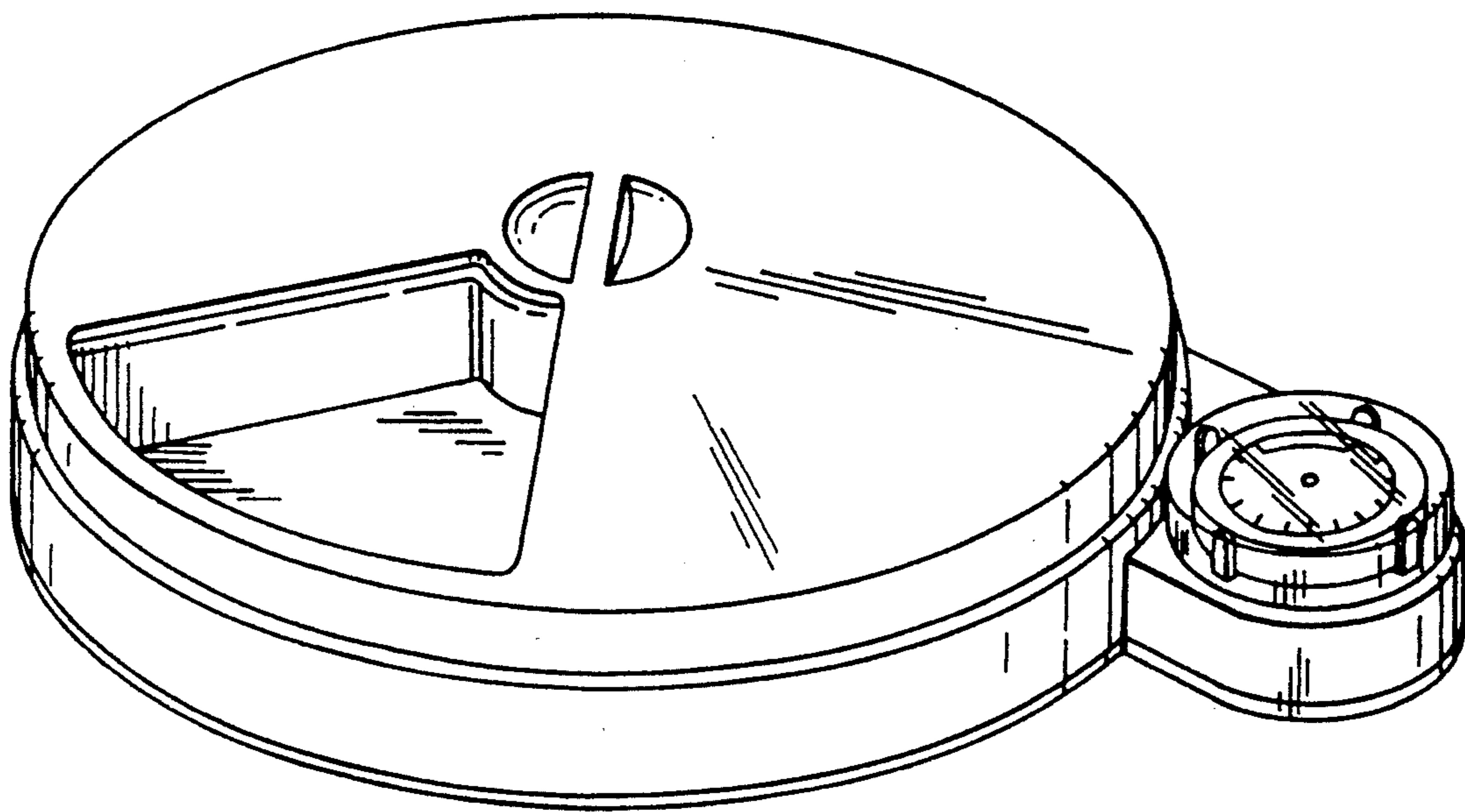


Fig. 1

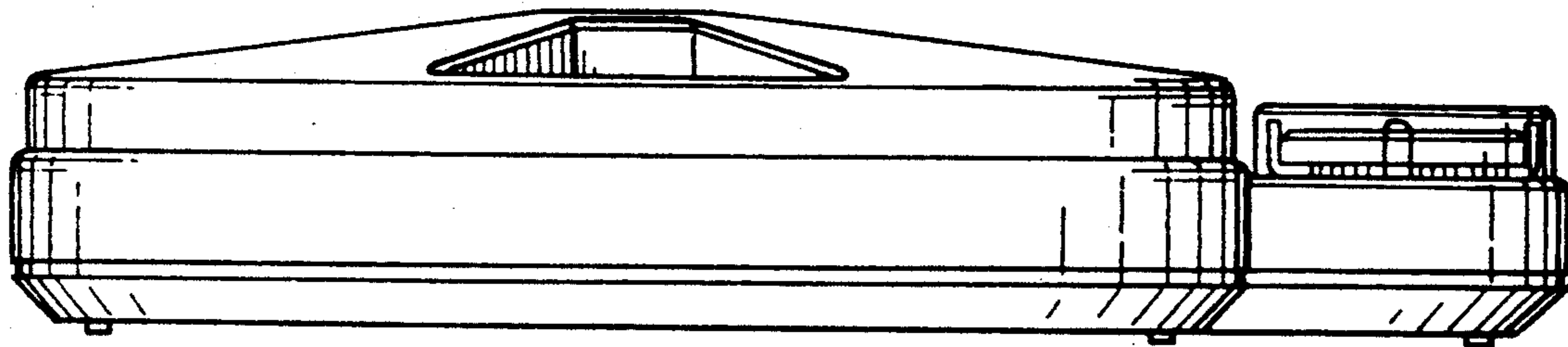


Fig. 2

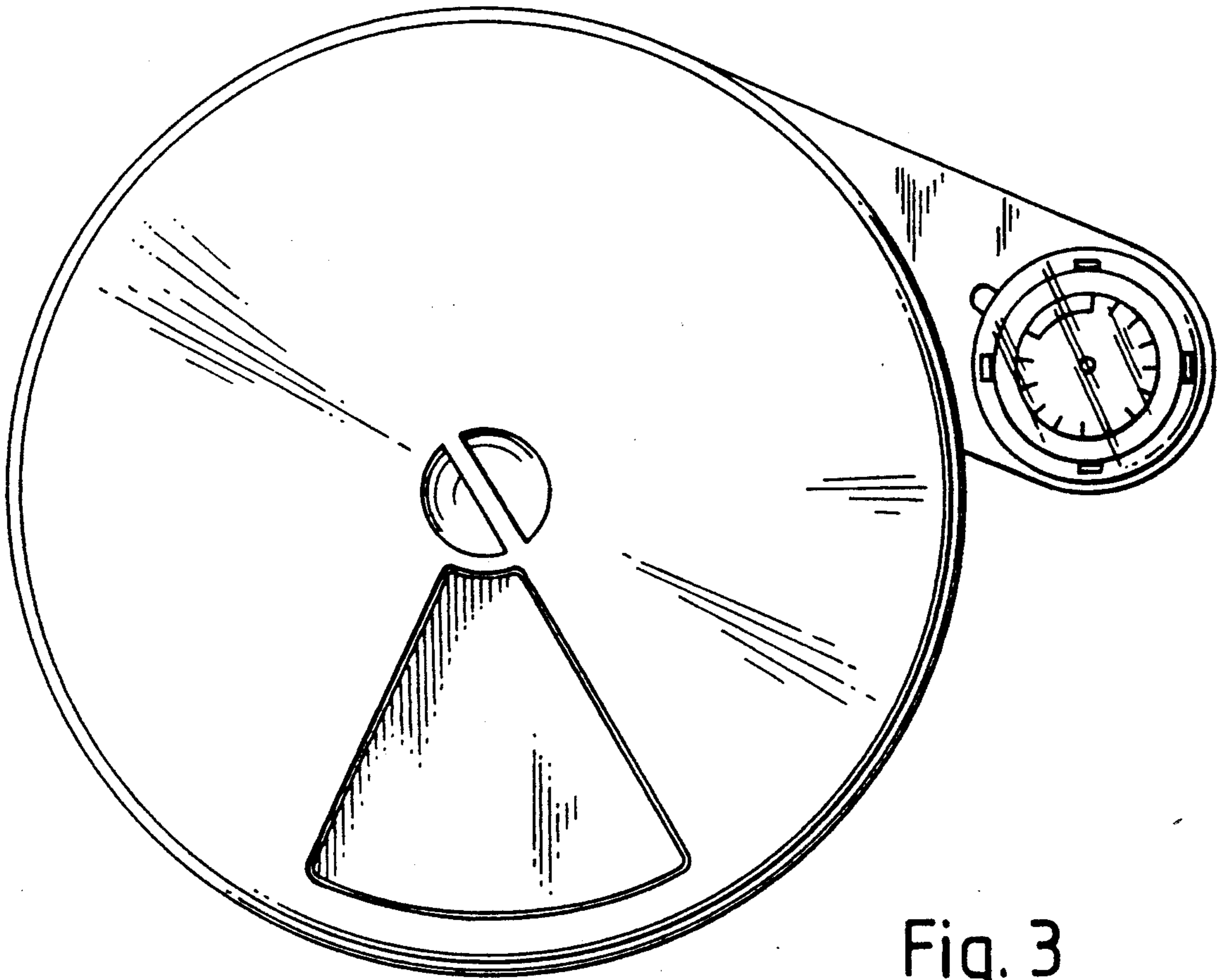


Fig. 3

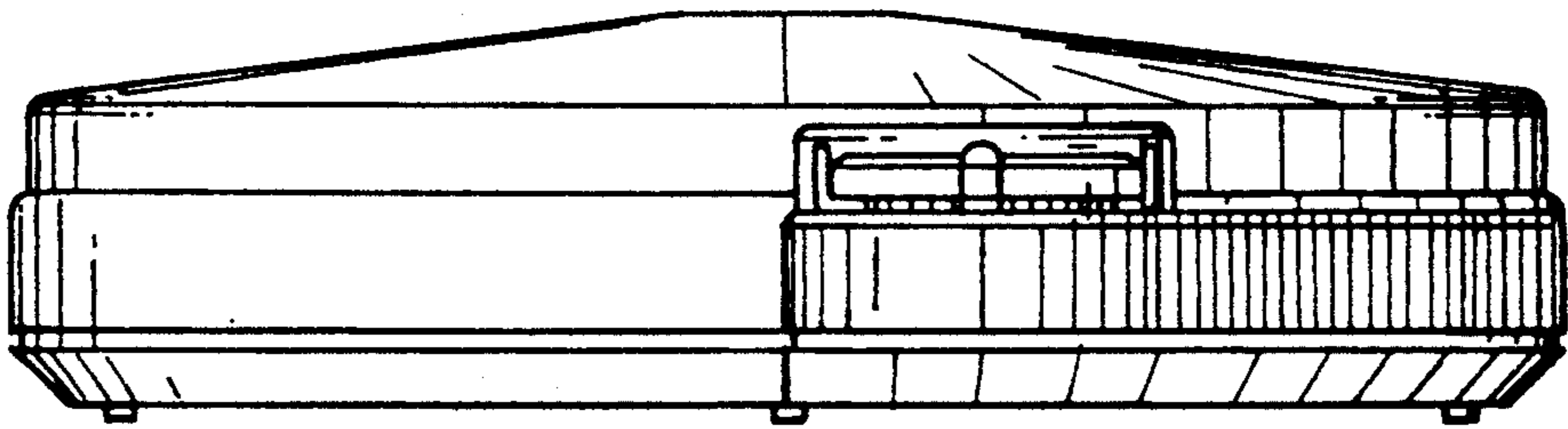


Fig. 4

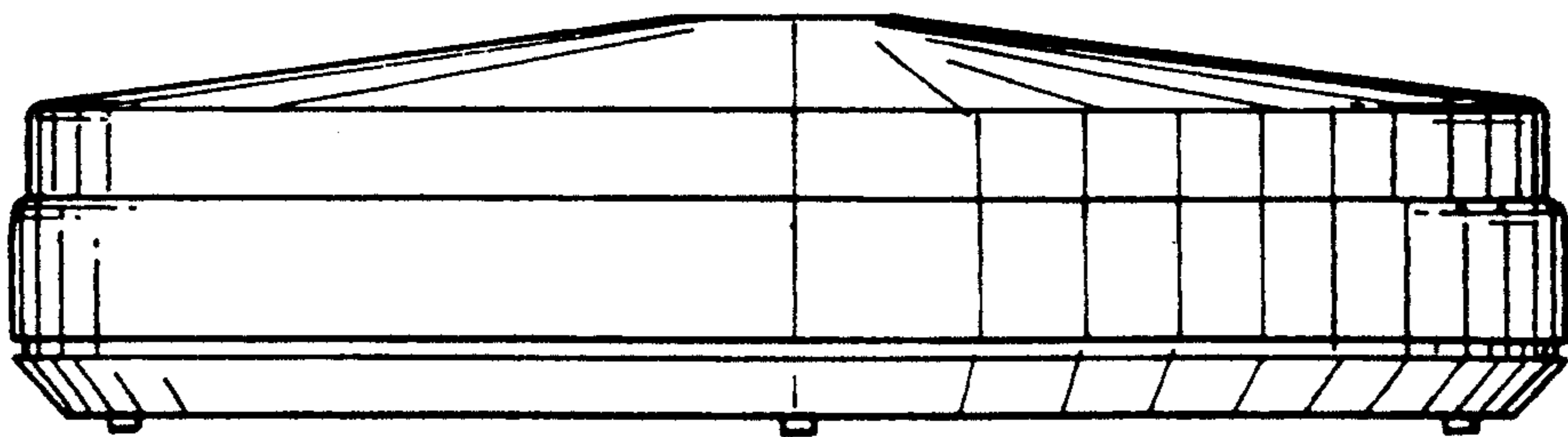


Fig. 5