



US00D335367S

# United States Patent [19]

[11] Patent Number: **Des. 335,367**

Mieskoski

[45] Date of Patent: **\*\* May 4, 1993**

## [54] OXYGEN MASK SECURING STRAPS

[76] Inventor: **Darlene R. Mieskoski**, 20992 Jonathan Dr., Strongsville, Ohio 44136

[\*\*] Term: **14 Years**

[21] Appl. No.: **679,356**

[22] Filed: **Apr. 2, 1991**

[52] U.S. Cl. .... **D29/16; D29/8**

[58] Field of Search ..... **D29/7, 8, 9; 2/9, 8; 128/207.11, 207.17**

## [56] References Cited

### U.S. PATENT DOCUMENTS

D. 189,112	10/1960	Klinger	.....	D29/7
3,047,876	8/1962	Malcom, Jr.	.....	2/9
5,010,884	4/1991	Van Derdoes et al.	.....	128/207.17
5,117,818	6/1992	Palfy	.....	128/207.17

*Primary Examiner*—Kay H. Chin  
*Attorney, Agent, or Firm*—Richard C. Litman

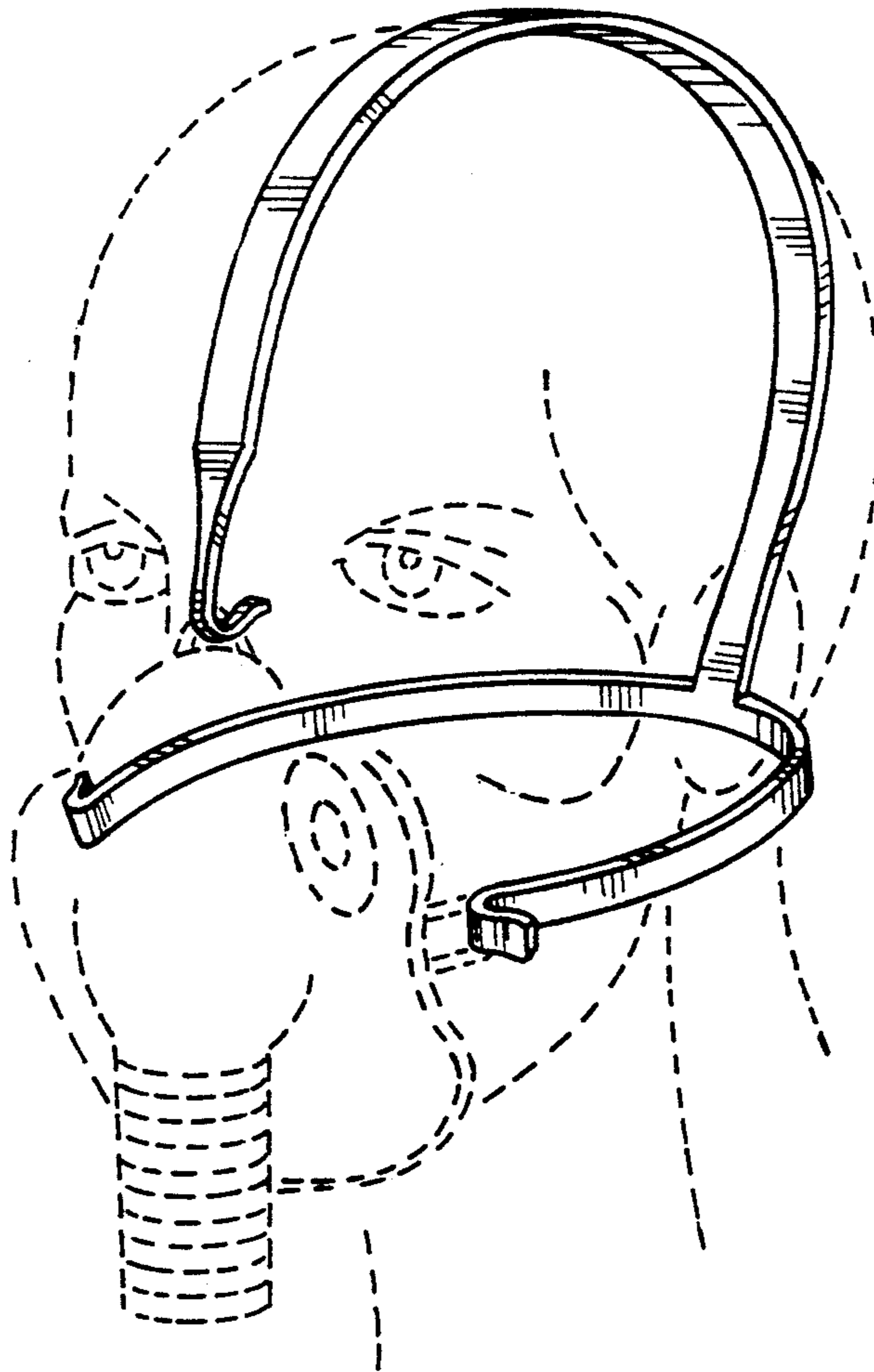
## [57] CLAIM

The ornamental design for an oxygen mask securing straps, as shown and described.

## DESCRIPTION

FIG. 1 is a front and left side perspective view of an oxygen mask securing straps showing my new design; FIG. 2 is a top plan view thereof in straightened condition; FIG. 3 is a side elevational view of FIG. 2, the opposite side elevational view being identical; FIG. 4 is a front elevational view thereof, the rear elevational view being identical; FIG. 5 a front and left side perspective view of a second of the oxygen mask securing straps; FIG. 6 is a side elevational view of FIG. 5 in straightened condition; FIG. 7 is a front elevational view of FIG. 6; FIG. 8 is a rear elevational view of FIG. 6; FIG. 9 is a top plan view of FIG. 6; and, FIG. 10 is a bottom plan view of FIG. 6.

The portion of FIGS. 1 and 5 shown in broken lines represent an oxygen mask and user and form no part of the claimed design.



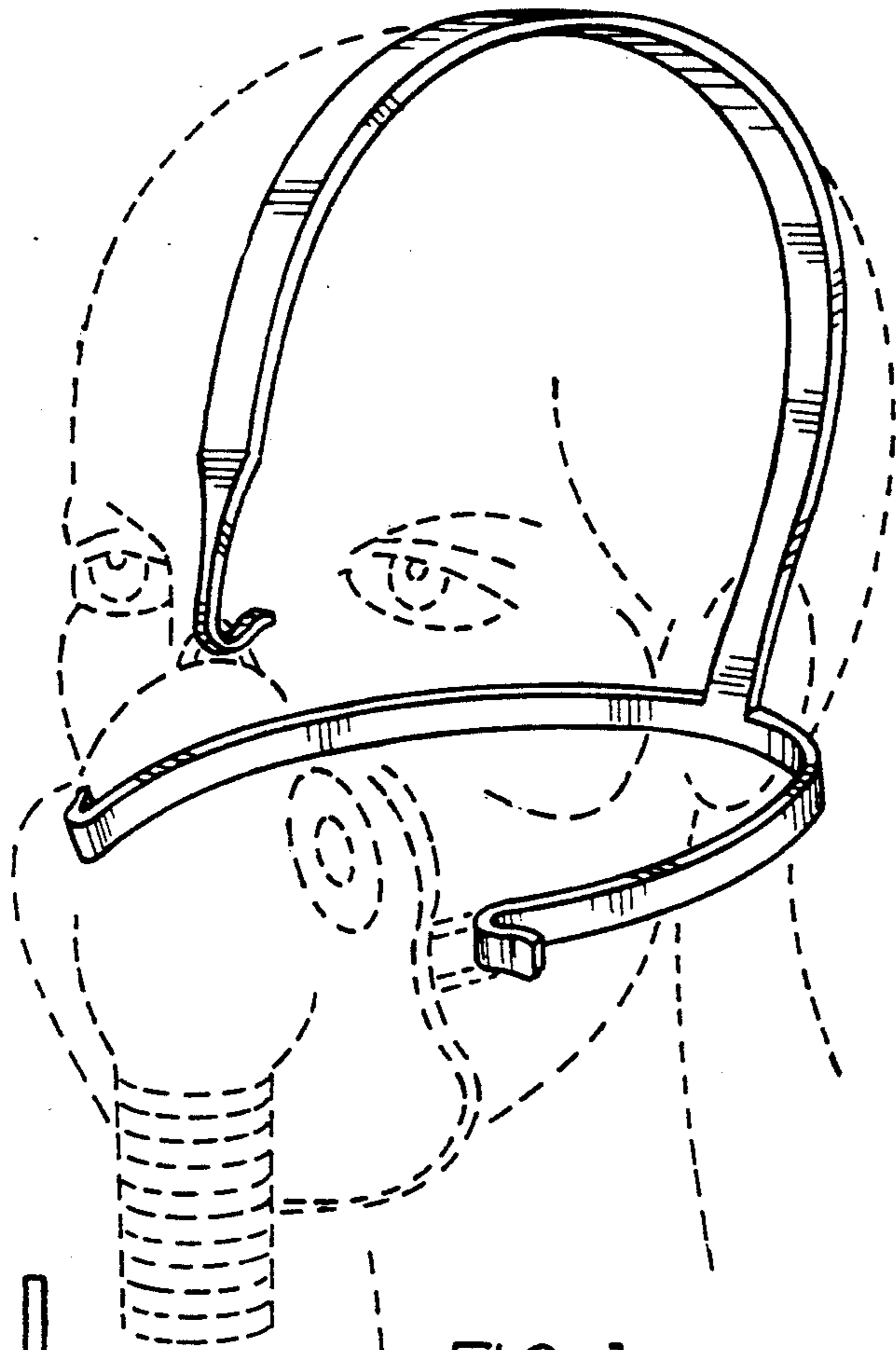


FIG. 1



FIG. 2



FIG. 3

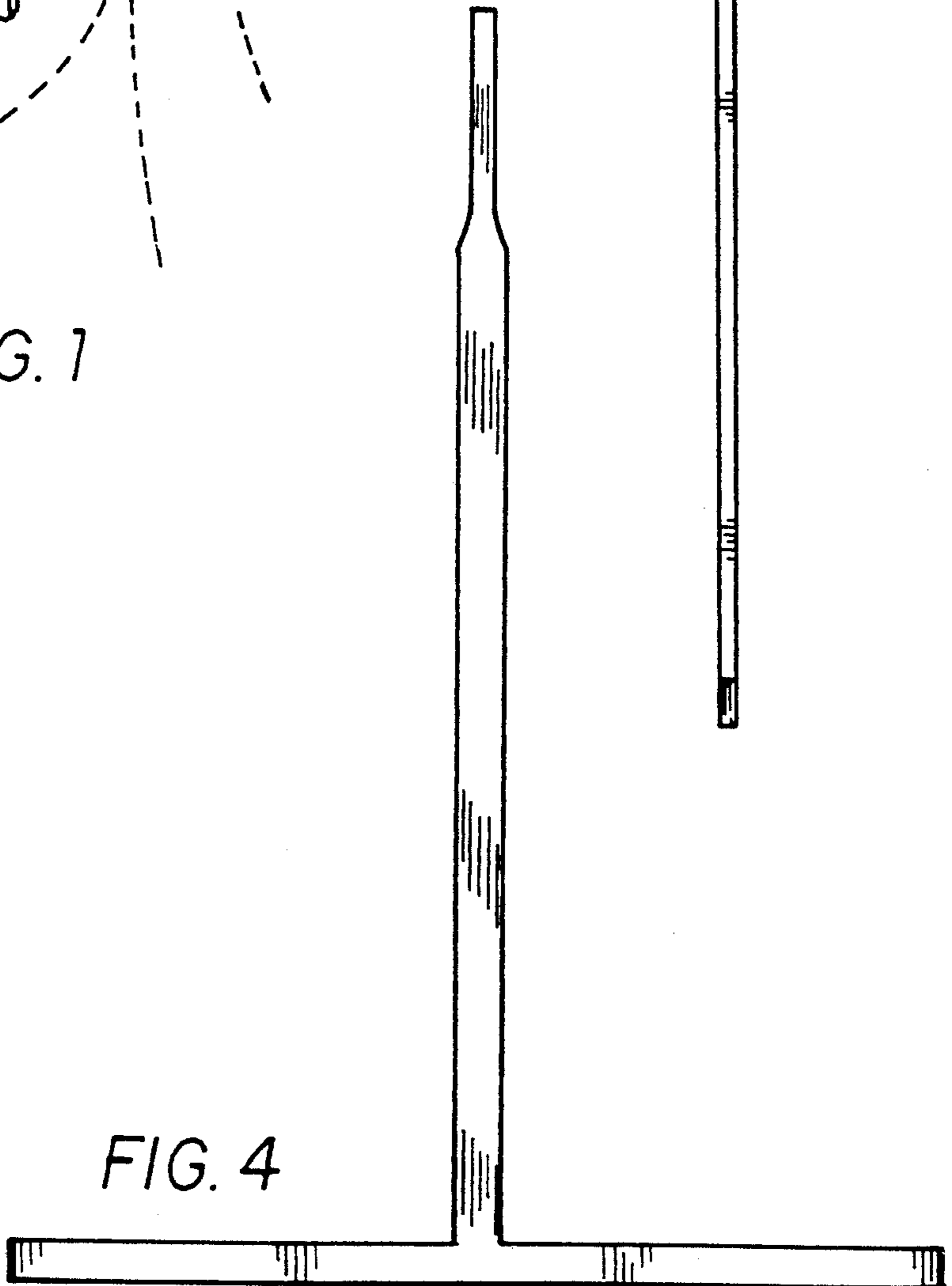


FIG. 4

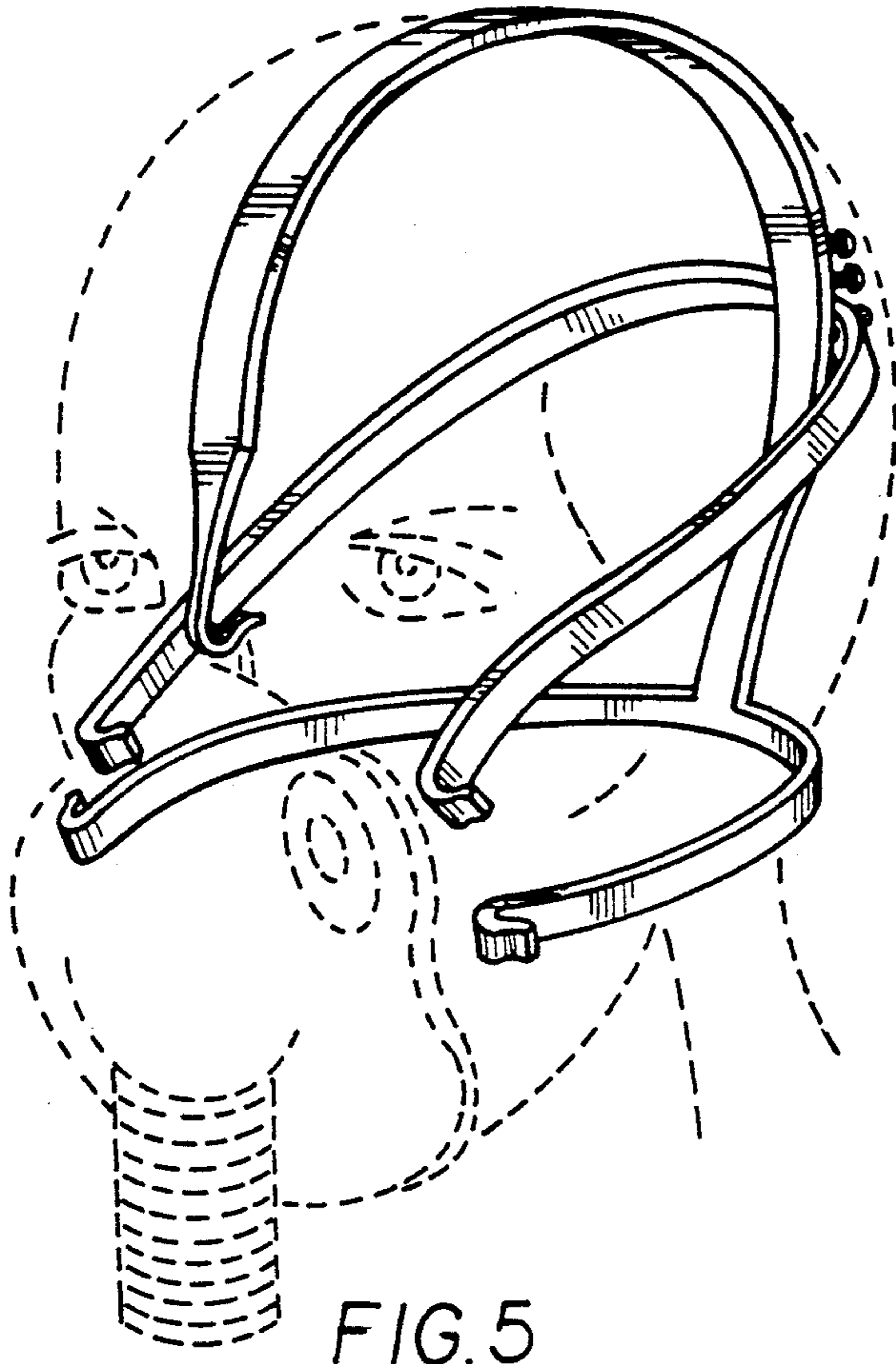


FIG. 5



FIG. 6

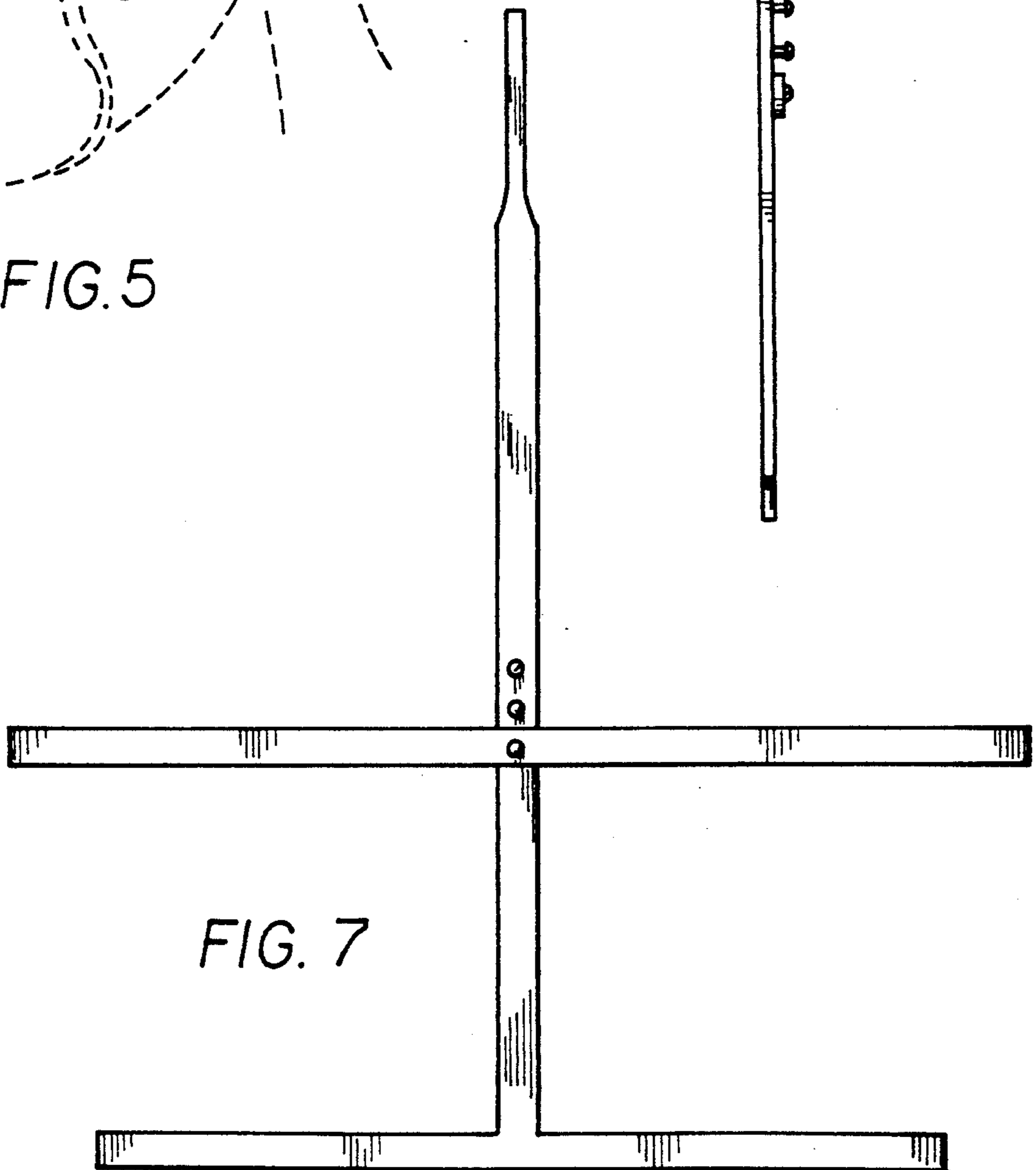


FIG. 7

FIG. 8

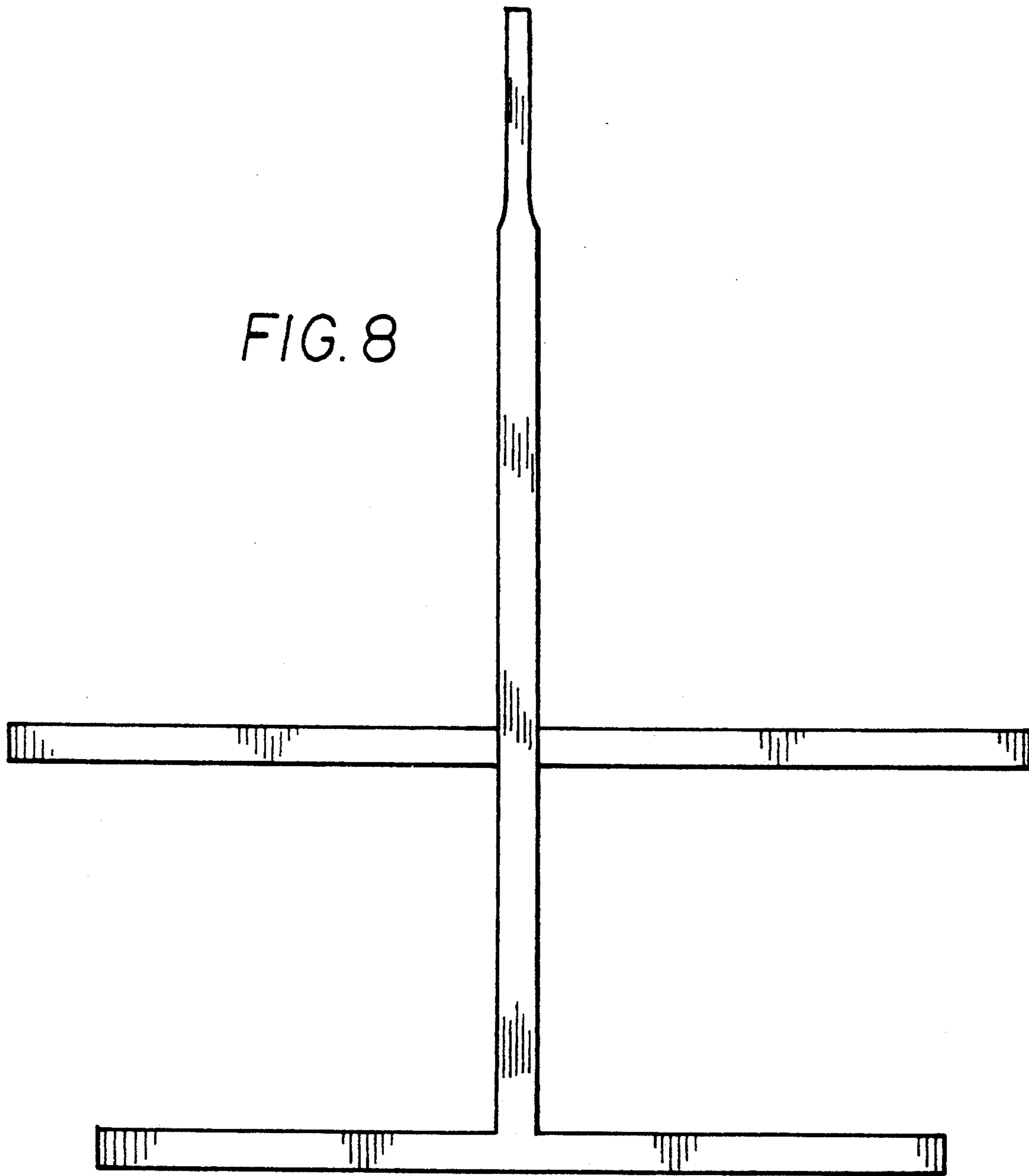


FIG. 9



FIG. 10

