



US00D335362S

# United States Patent [19]

[11] Patent Number: Des. 335,362

Schonbek

[45] Date of Patent: \*\* May 4, 1993

[54] LIGHTING FIXTURE NECK

D. 71,733 12/1926 Crowell ..... D26/153  
D. 150,946 9/1948 Gotliffe ..... D26/153

[75] Inventor: Arnold Schonbek, Plattsburgh, N.Y.

OTHER PUBLICATIONS

[73] Assignee: A. Schonbek & Co., Inc., Plattsburgh, N.Y.

Lighting, Jun. 1956, p. 67, Igmor Novelty Corp. Crystal Lamp Bases.

[\*\*] Term: 14 Years

Lightolier Lighting Catalog, 1950, p. 10, Lead Crystal Chandelier.

[21] Appl. No.: 725,269

Primary Examiner—Susan J. Lucas

[22] Filed: Jul. 3, 1991

Attorney, Agent, or Firm—Wolf, Greenfield & Sacks

[52] U.S. Cl. .... D26/149; D7/562; D26/153

[57] CLAIM

[58] Field of Search ..... D26/72, 80-92, D26/128-137, 142, 148, 149, 153, 154; 362/404-408, 806, 457, 458

The ornamental design for a lighting fixture neck, as shown and described.

DESCRIPTION

[56] References Cited

FIG. 1 is a top plan view of a lighting fixture neck showing my new design;

U.S. PATENT DOCUMENTS

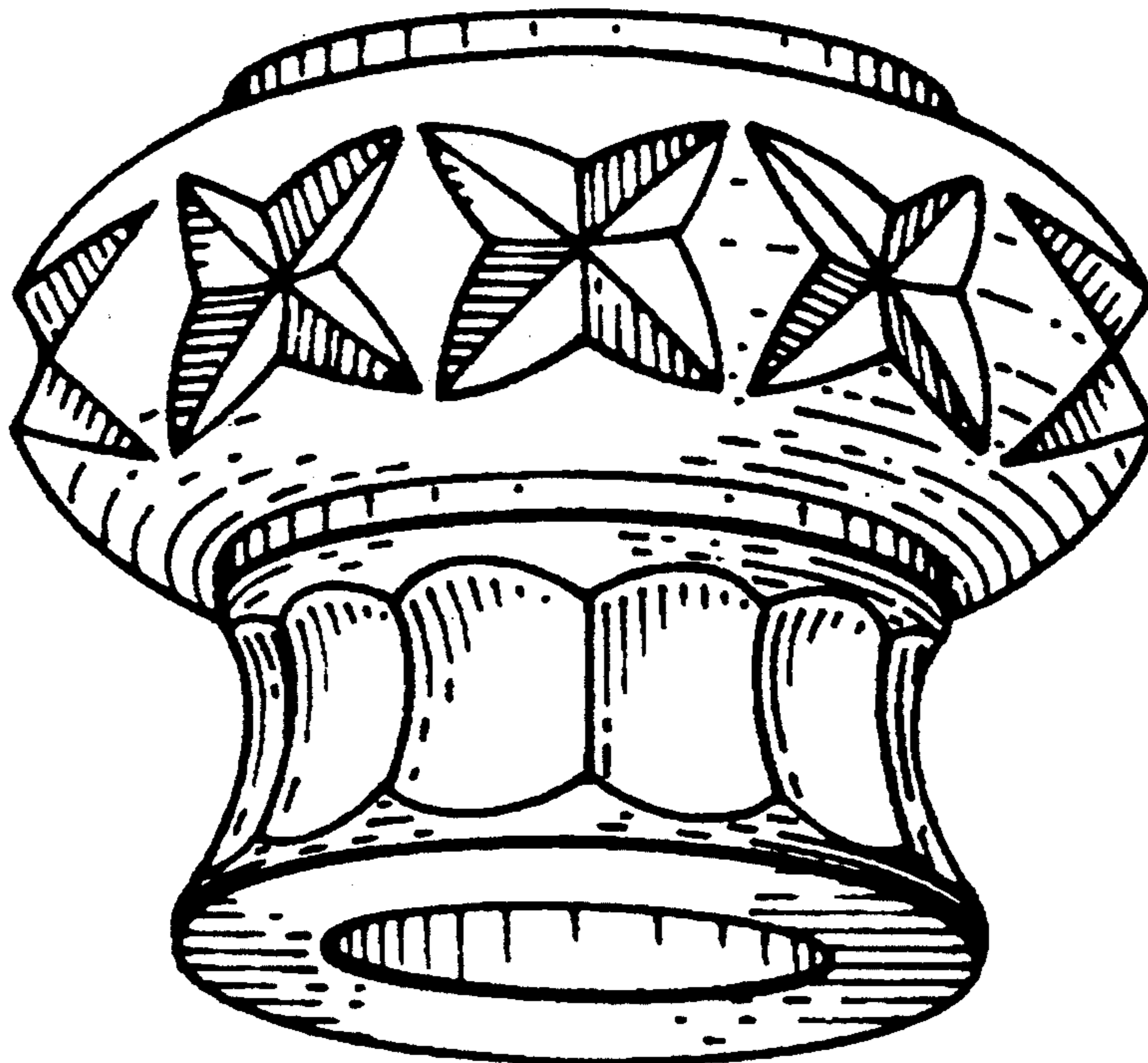
- D. 40,523 2/1910 Van Doren ..... D26/153
- D. 61,646 11/1922 Israel ..... D26/153
- D. 62,982 9/1923 Dahl ..... D26/153
- D. 69,207 1/1926 Silvestro ..... D26/153

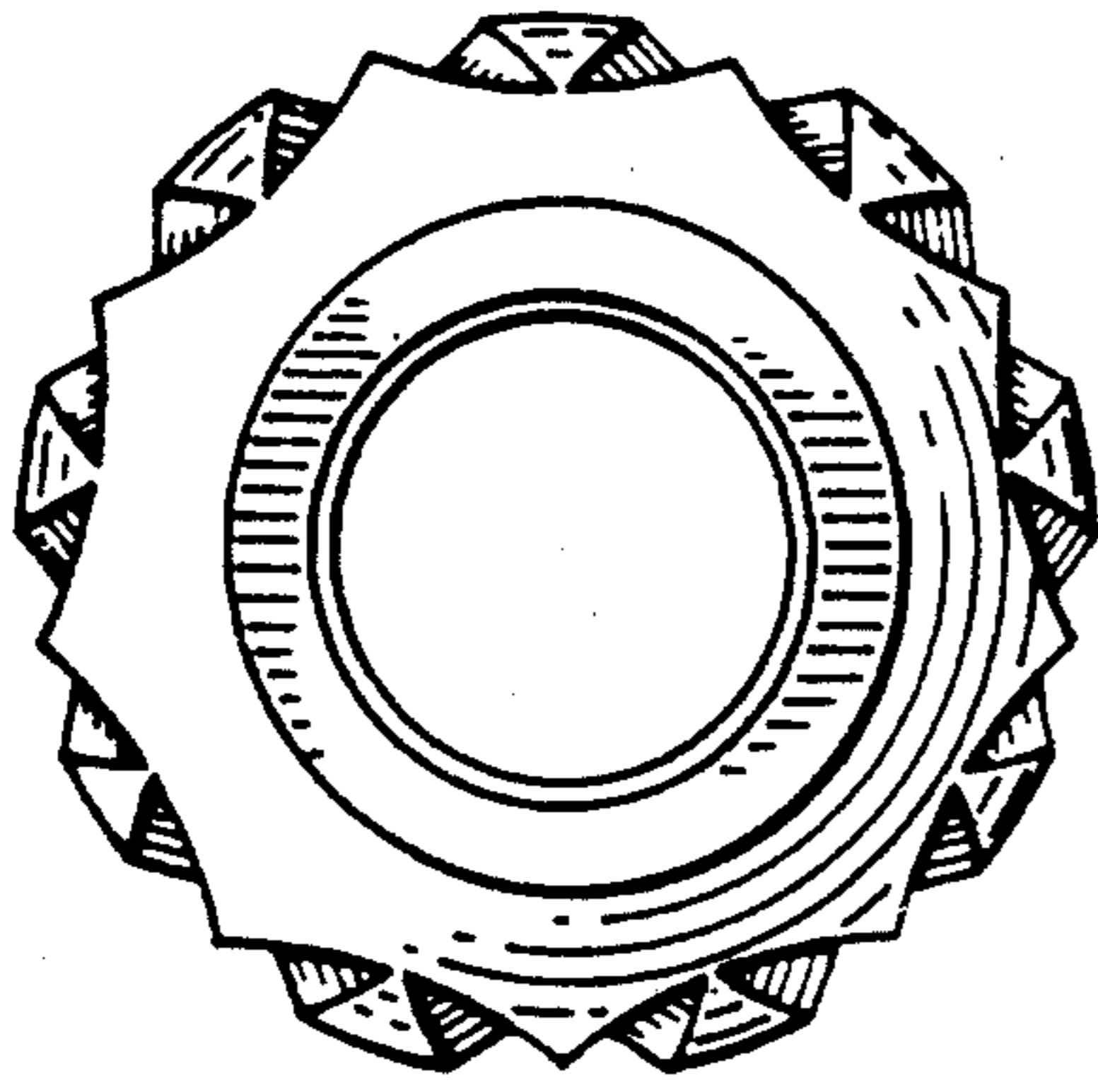
FIG. 2 is a side elevational view thereof, all sides being identical;

FIG. 3 is a bottom plan view thereof;

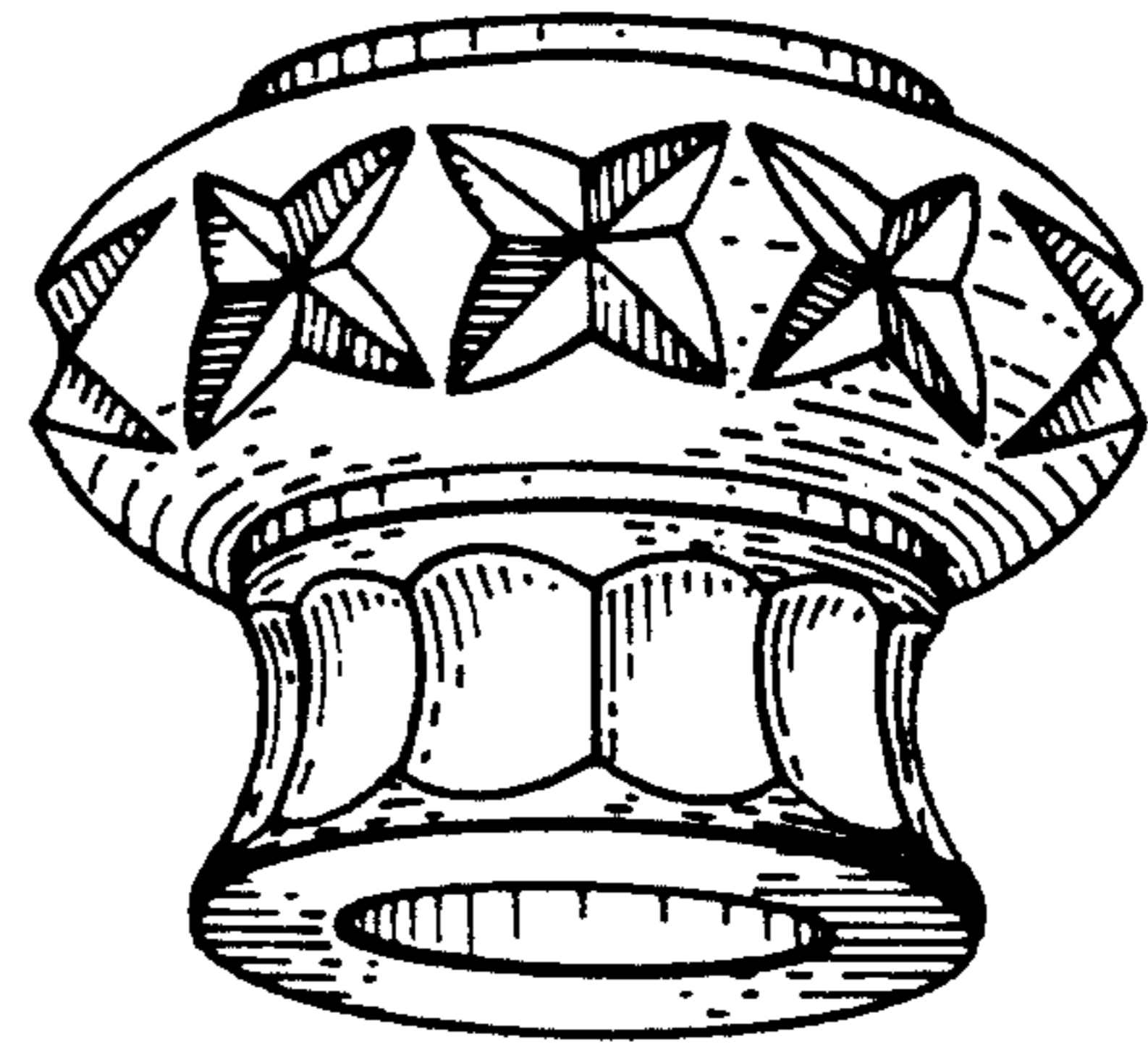
FIG. 4 is a bottom, side perspective view thereof; and,

FIG. 5 is a cross-sectional view thereof.

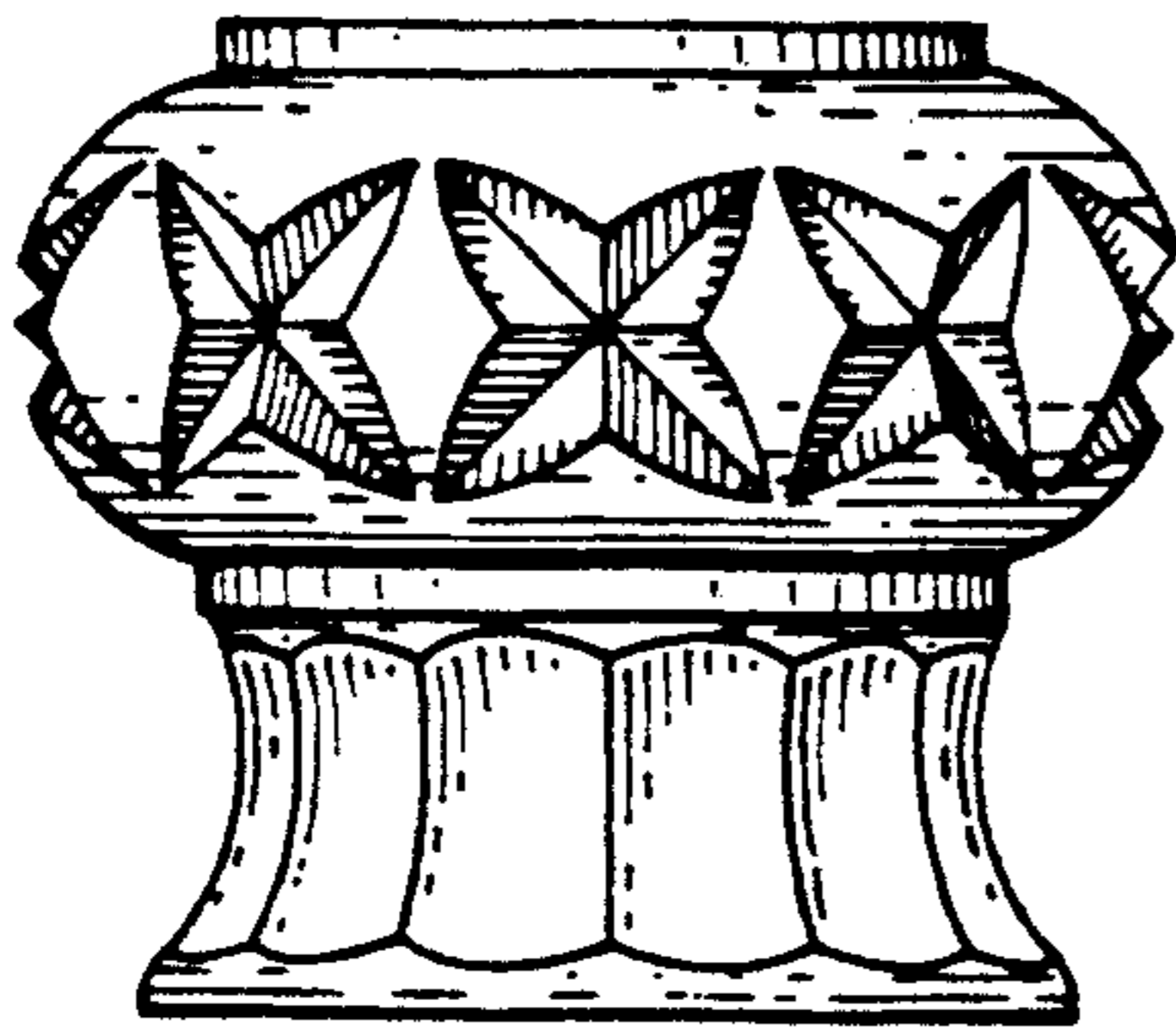




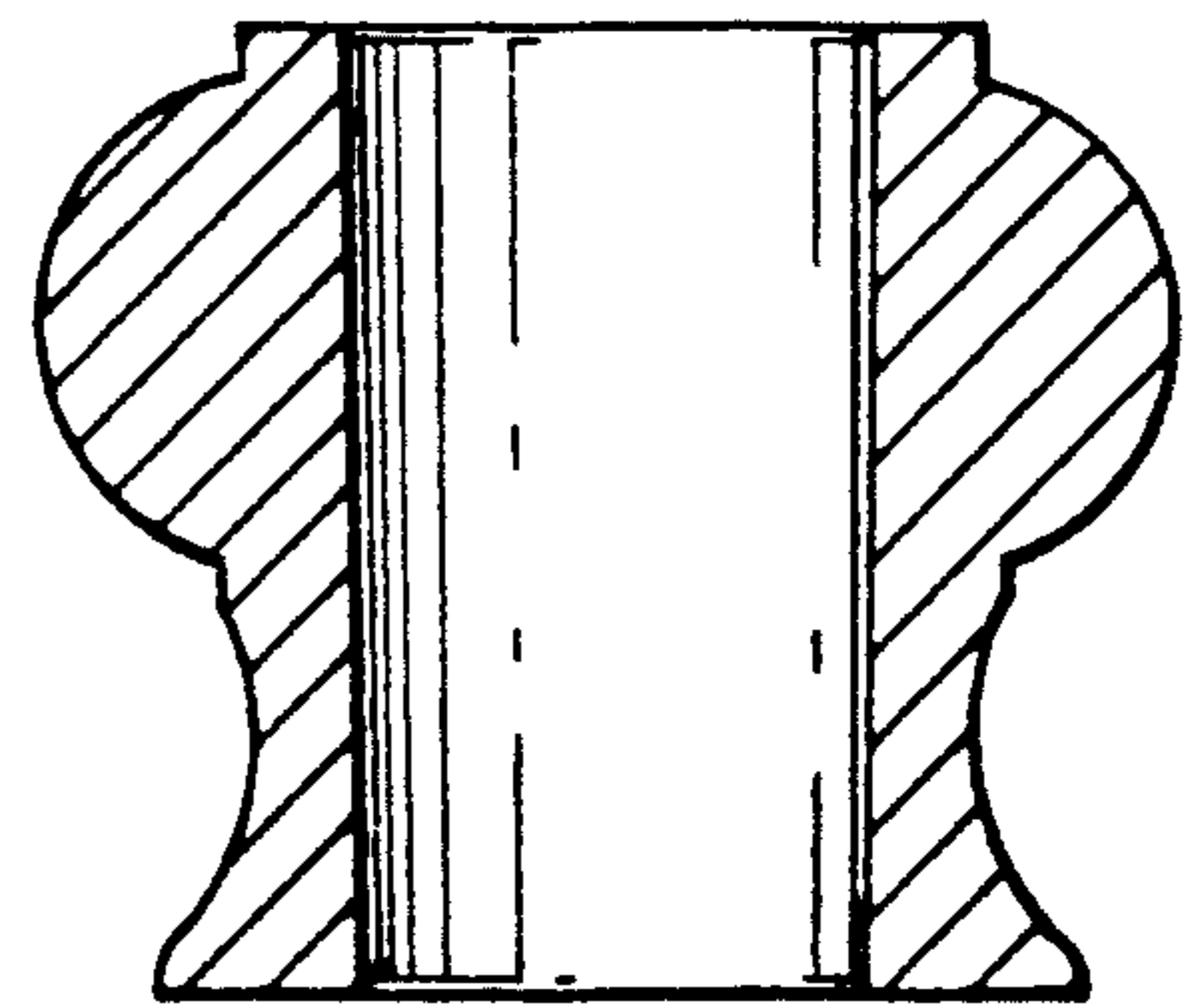
*FIG. 1*



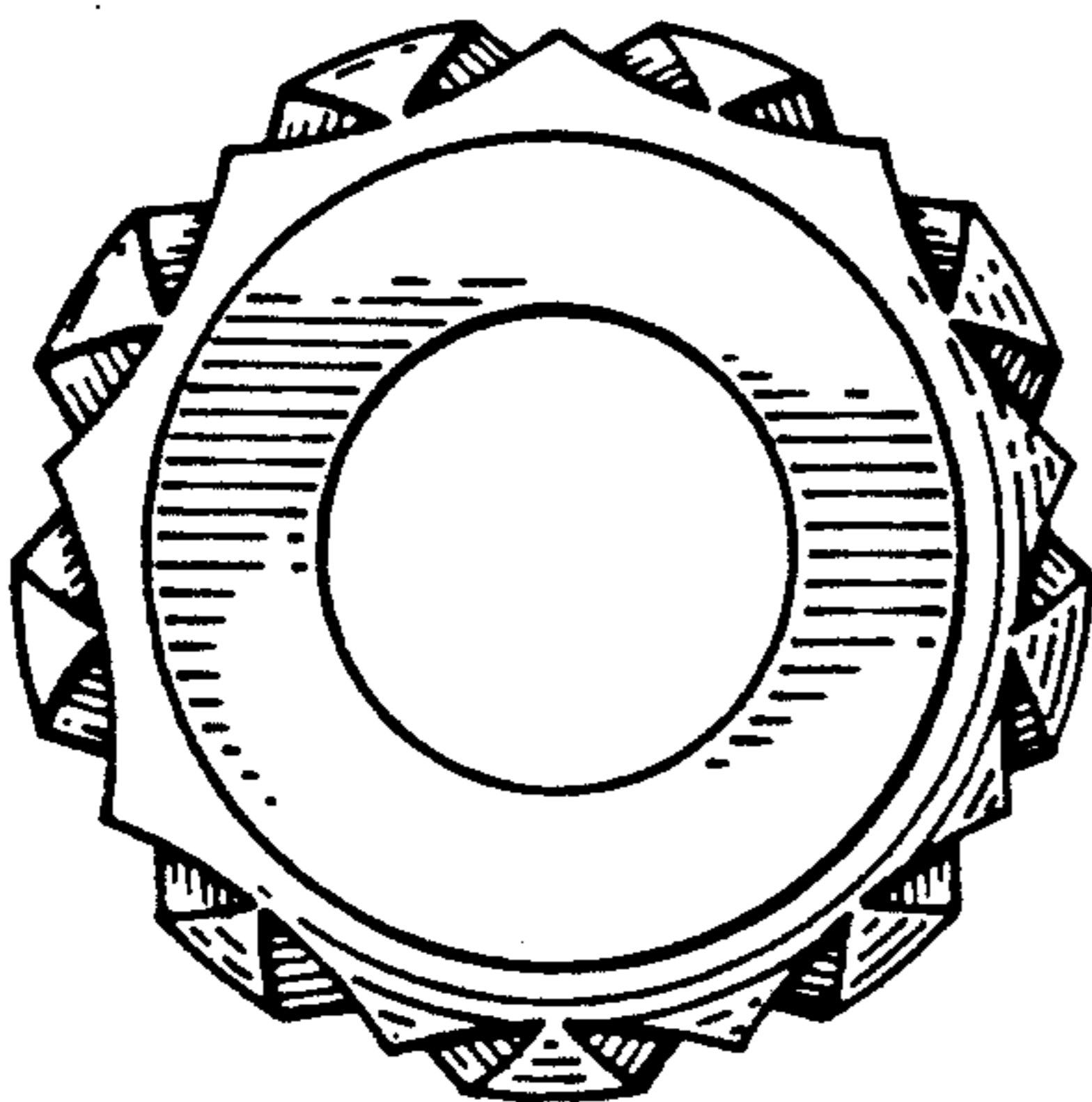
*FIG. 4*



*FIG. 2*



*FIG. 5*



*FIG. 3*