



US00D335361S

United States Patent [19]

Lemek

[11] Patent Number: Des. 335,361

[45] Date of Patent: ** May 4, 1993

[54] SUSPENDED FLASHLIGHT SUPPORT

[76] Inventor: Michael Lemek, P.O. Box 212, Forestdale, R.I. 02824

[**] Term: 14 Years

[21] Appl. No.: 570,700

[22] Filed: Aug. 22, 1990

[52] U.S. Cl. D26/140

[58] Field of Search 362/190, 191, 396; 248/280.1, 281.1, 282, 284, 289.1, 274, 309.1, 445; D26/138, 140

3,953,722 4/1976 Stick .
4,506,317 3/1985 Duddy .

FOREIGN PATENT DOCUMENTS

632011 5/1963 Belgium 248/445

Primary Examiner—Susan J. Lucas
Attorney, Agent, or Firm—Terry M. Gernstein

[57] CLAIM

The ornamental design for a suspended flashlight support, as shown and described.

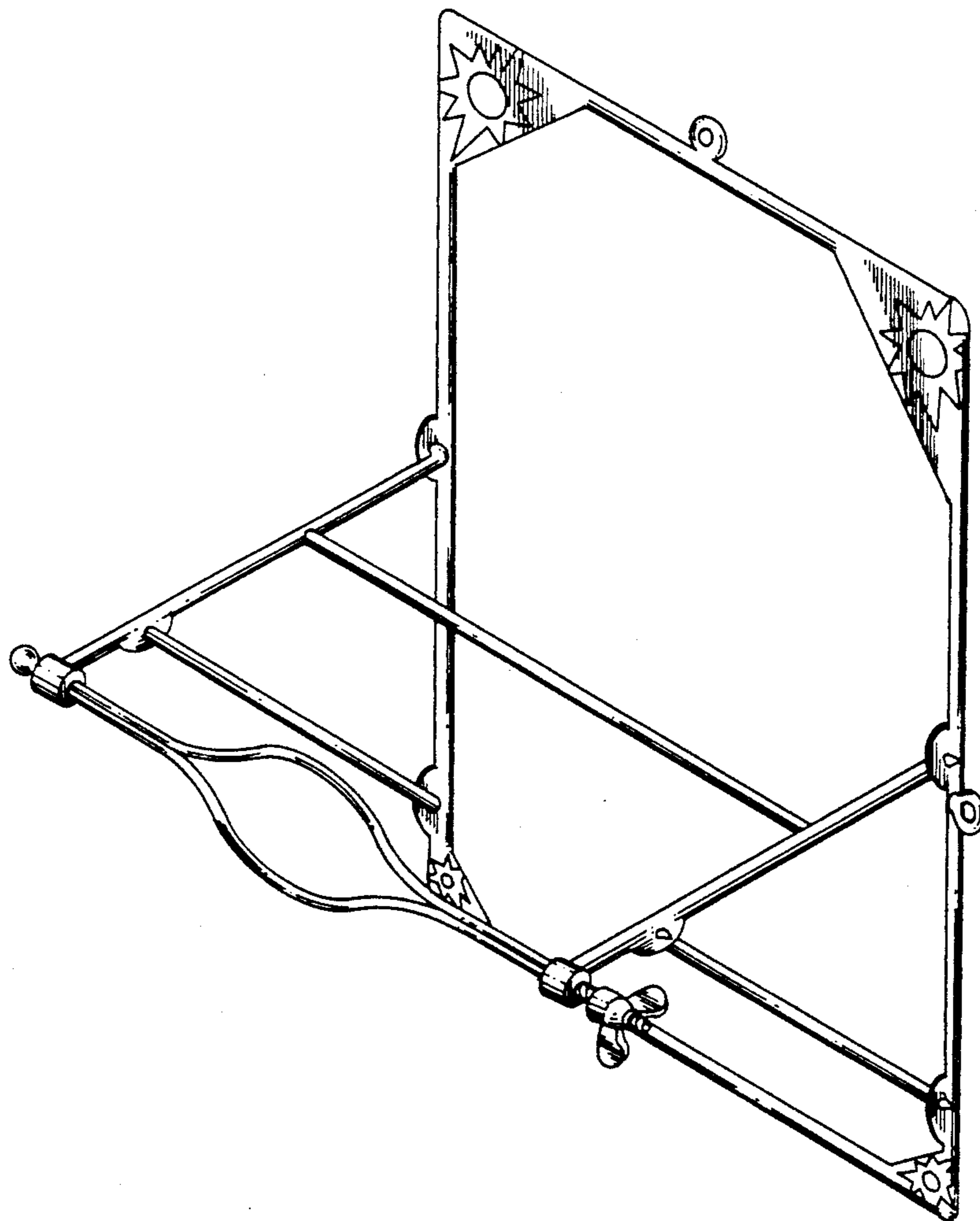
DESCRIPTION

FIG. 1 is a front perspective view of a suspended flashlight support showing my new design;
FIG. 2 is a front elevational view thereof on a reduced scale;
FIG. 3 is a rear elevational view thereof on a reduced scale;
FIG. 4 is a side elevational view thereof on a reduced scale; and,
FIG. 5 is a top plan view thereof on a reduced scale, the bottom being a mirror image.

[56] References Cited

U.S. PATENT DOCUMENTS

D. 236,370	8/1975	Martin	D26/140
252,697	1/1882	Phelps	362/396
266,704	10/1882	Lufkin	362/396 X
1,326,650	12/1919	Doerr	248/284
1,821,305	9/1931	Hauenstein	.	
3,591,115	7/1971	Hibbard	248/284 X
3,780,971	12/1973	De Filipps	248/309.1



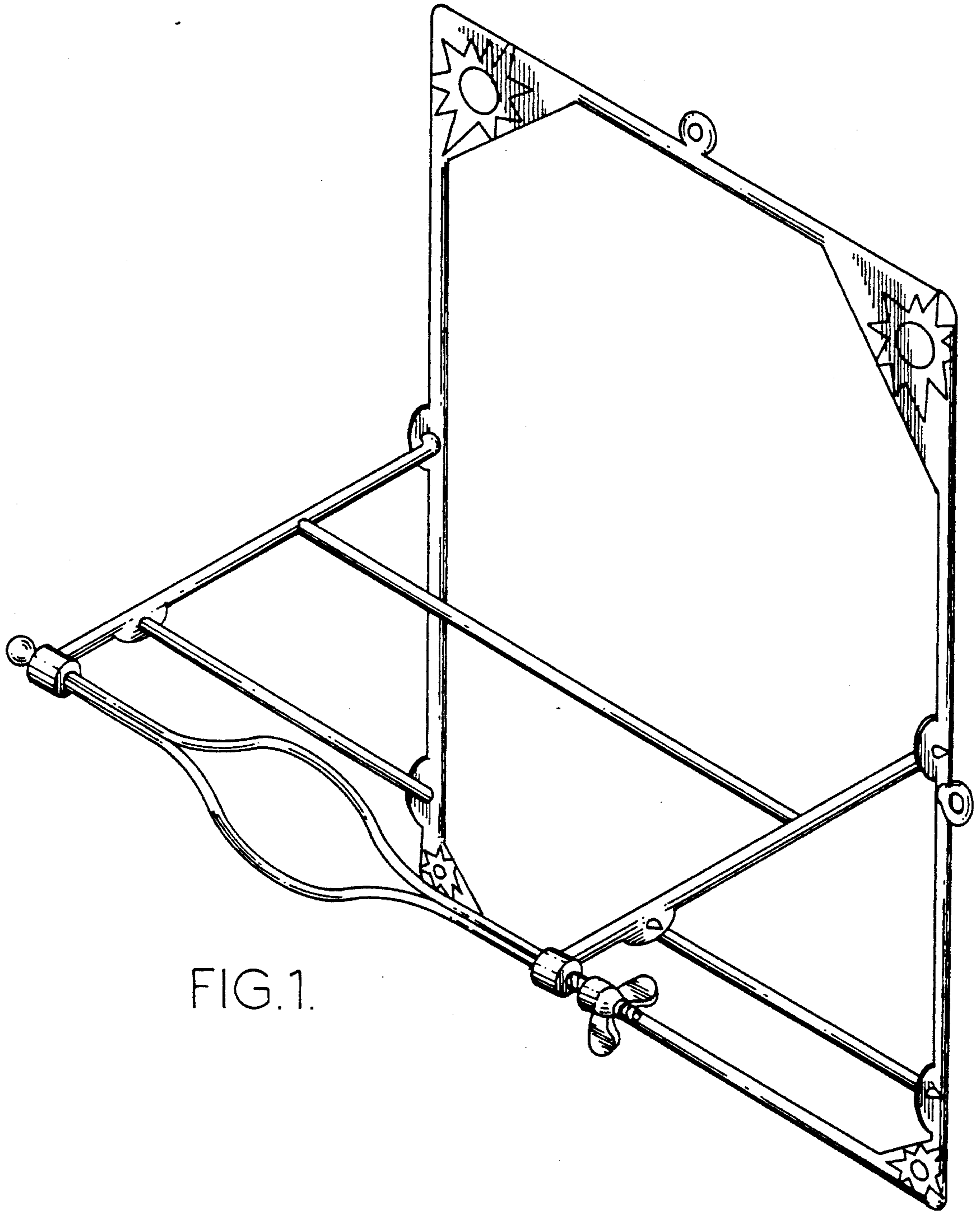


FIG. 1.

FIG. 4.

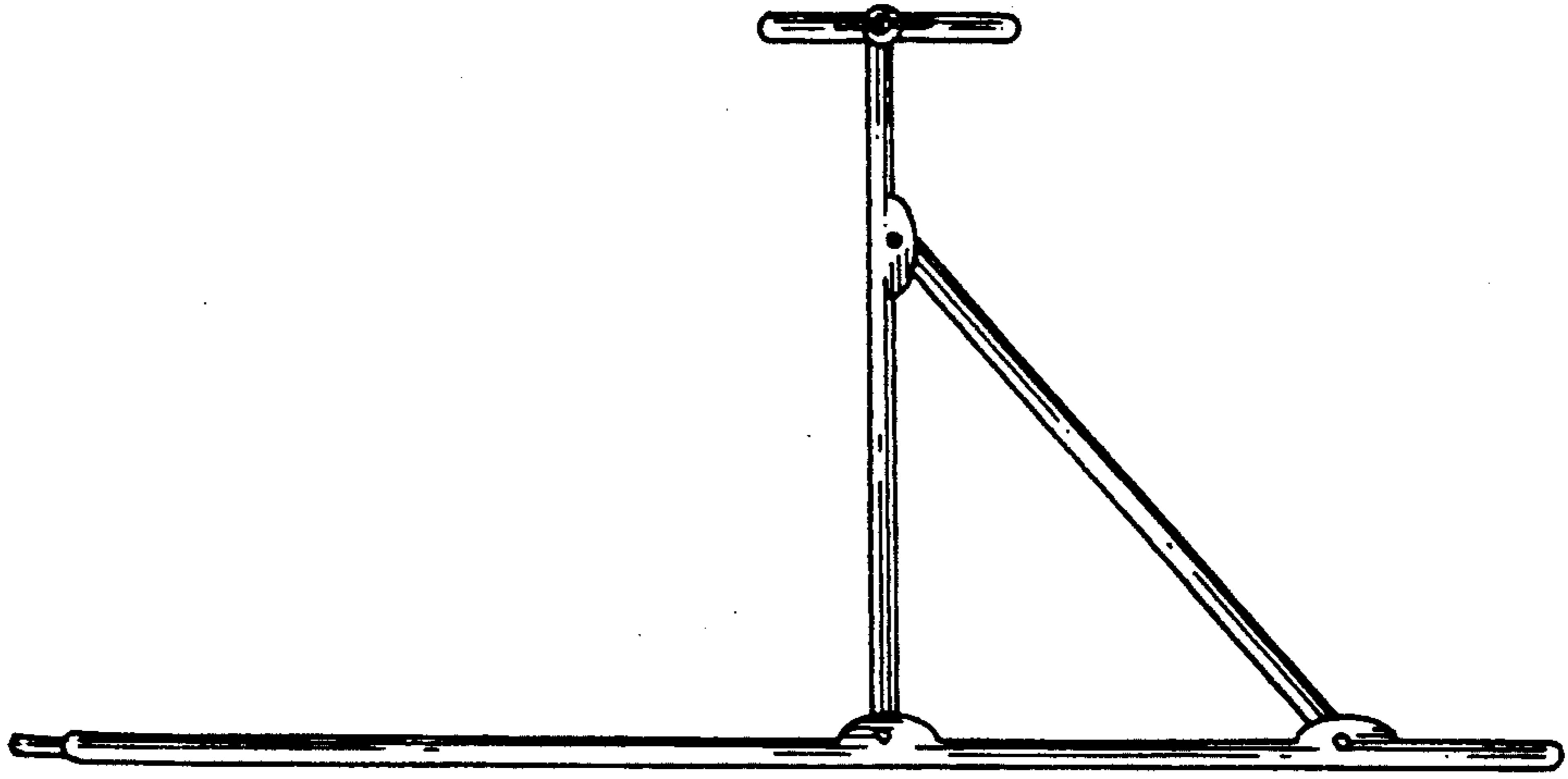
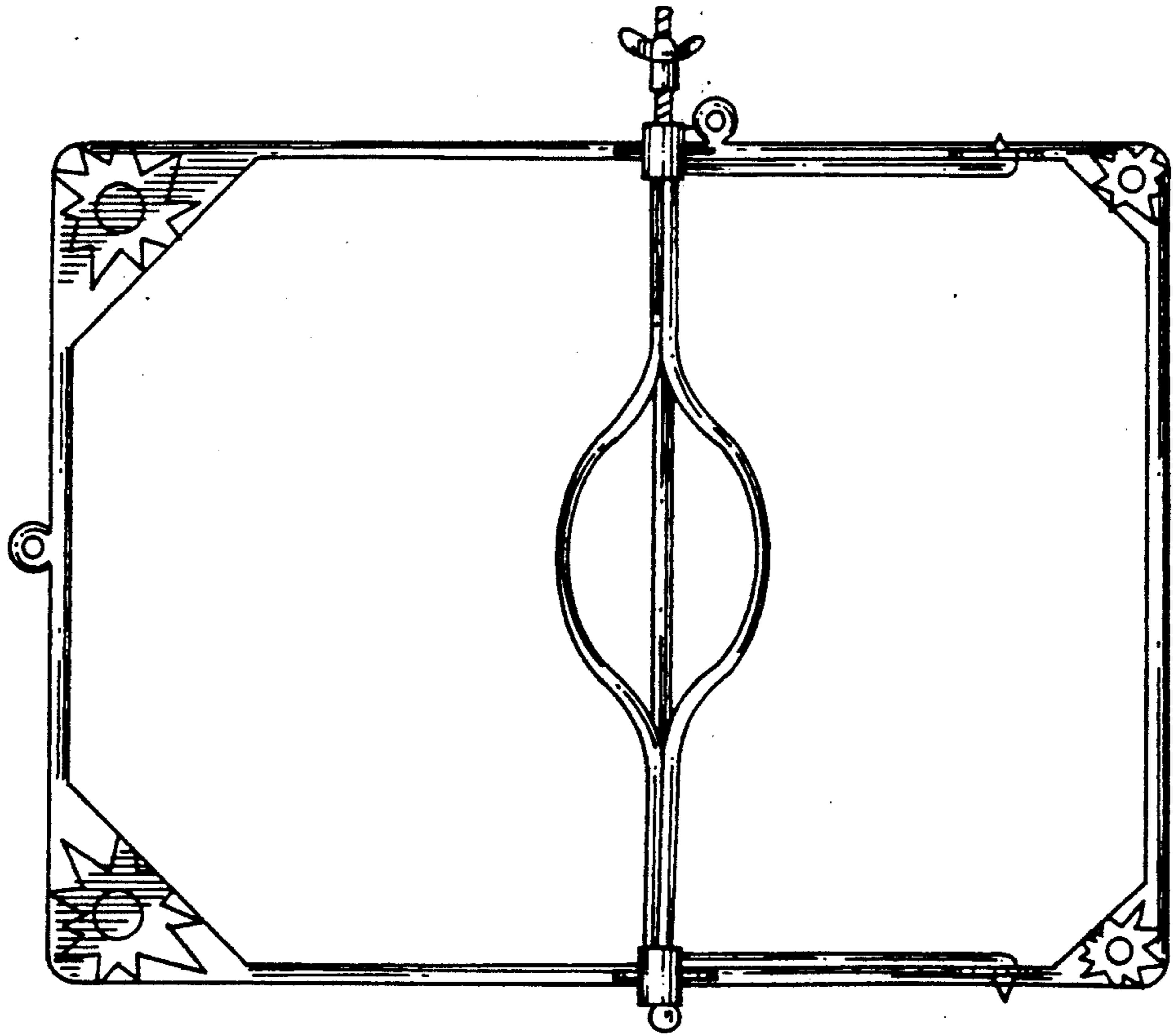


FIG. 2.



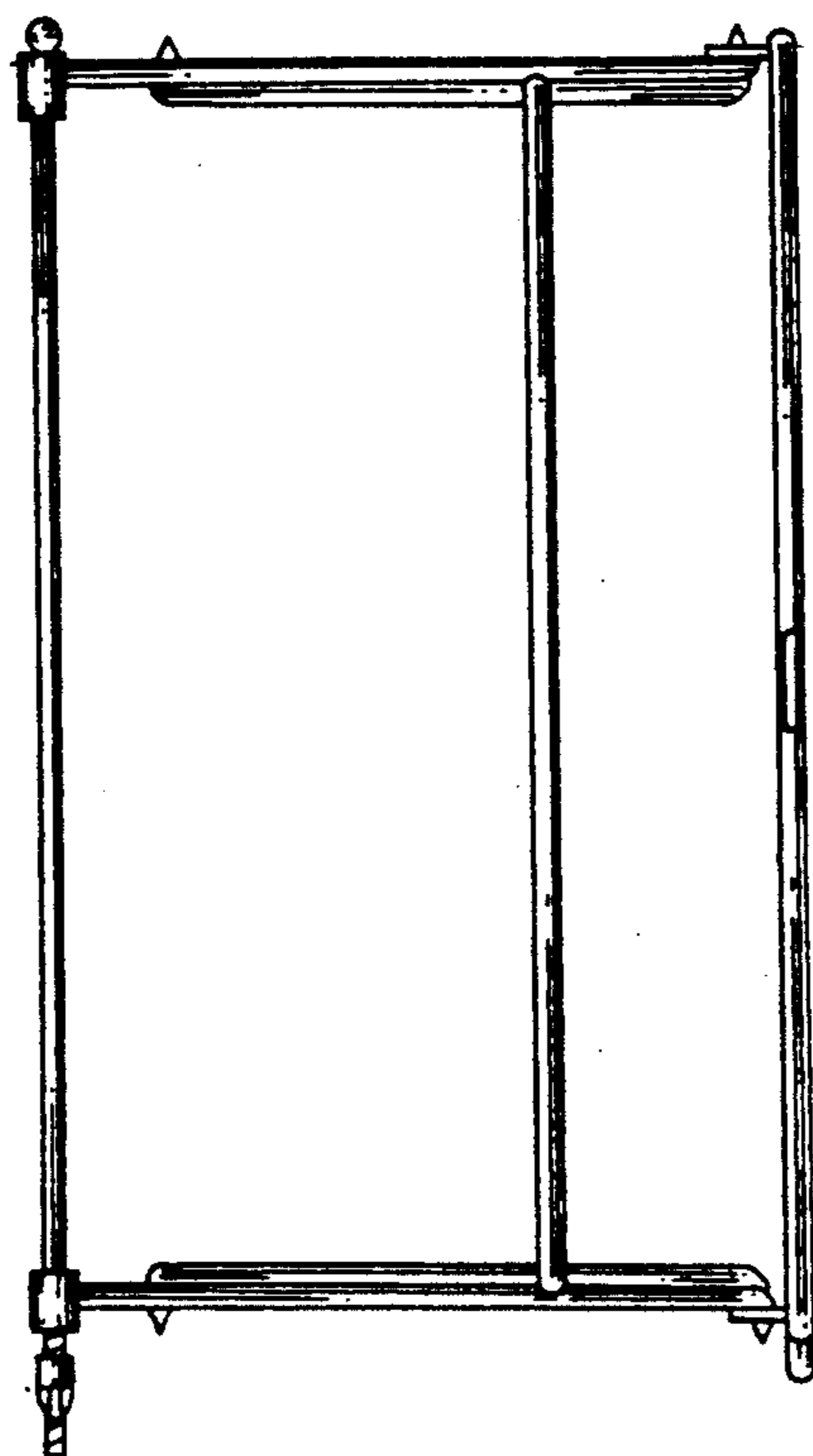


FIG. 5.

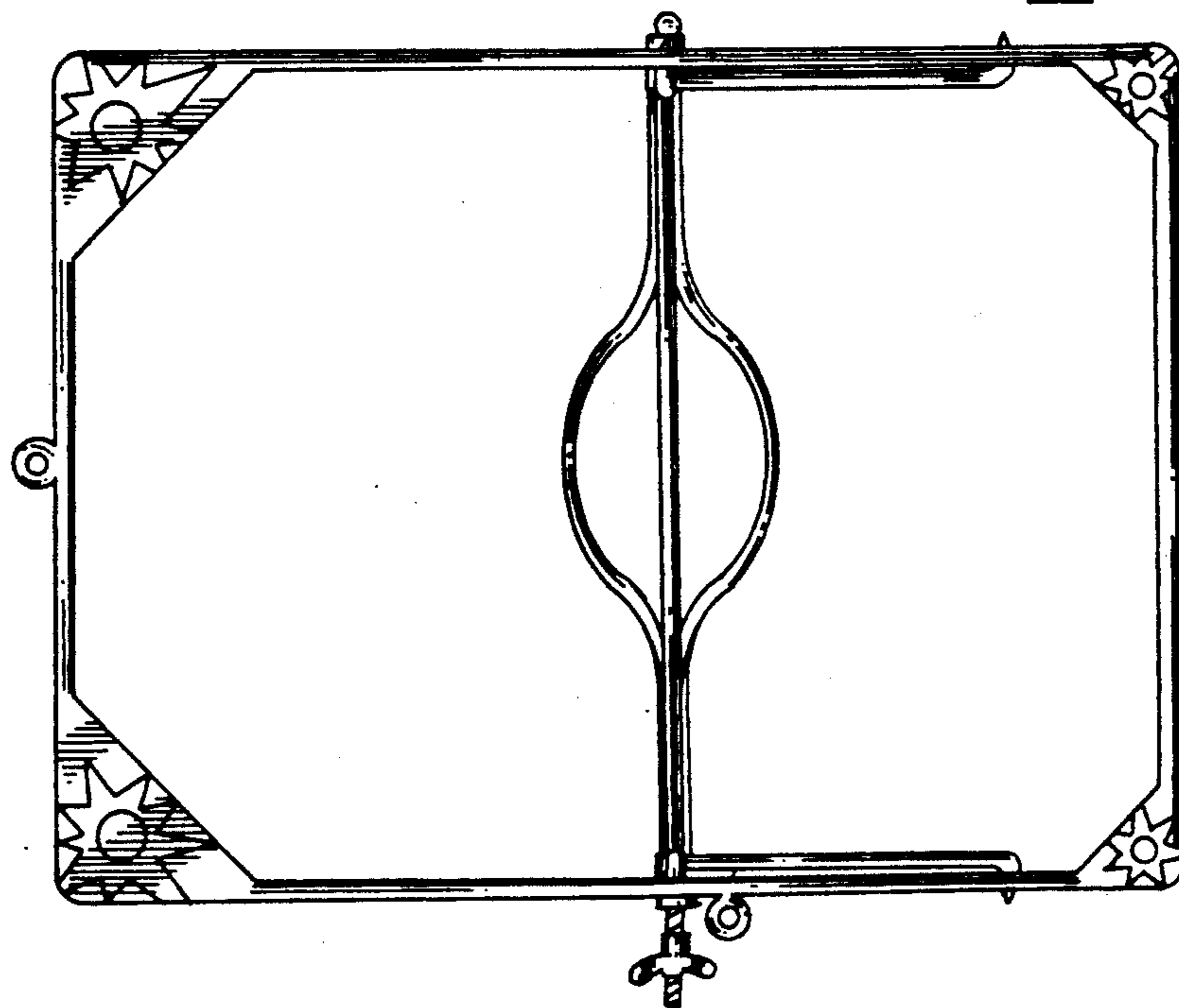


FIG. 3.