



US00D335358S

# United States Patent [19]

Cole

[11] Patent Number: **Des. 335,358**

[45] Date of Patent: **\*\* May 4, 1993**

[54] **CASEMENT WINDOW VENT BAR EXTRUSION**

[75] Inventor: **Douglas L. Cole, Seattle, Wash.**

[73] Assignee: **Mikron Industries, Kent, Wash.**

[\*\*] Term: **14 Years**

[21] Appl. No.: **687,532**

[22] Filed: **Apr. 18, 1991**

[52] U.S. Cl. .... **D25/124**

[58] Field of Search ..... **D25/52, 119-125; 52/202-204; 49/501, 504, DIG. 2, 404, 413, 419, 75, 139, 152, 153, 246, 408**

[56] **References Cited**

**U.S. PATENT DOCUMENTS**

- D. 308,104 5/1990 Hardy ..... D25/124
- 3,845,585 11/1974 Cecil ..... 49/153
- 3,859,754 1/1975 Budich et al. .... 49/DIG. 2
- 4,974,364 12/1990 Dorham, Jr. .... 49/DIG. 2

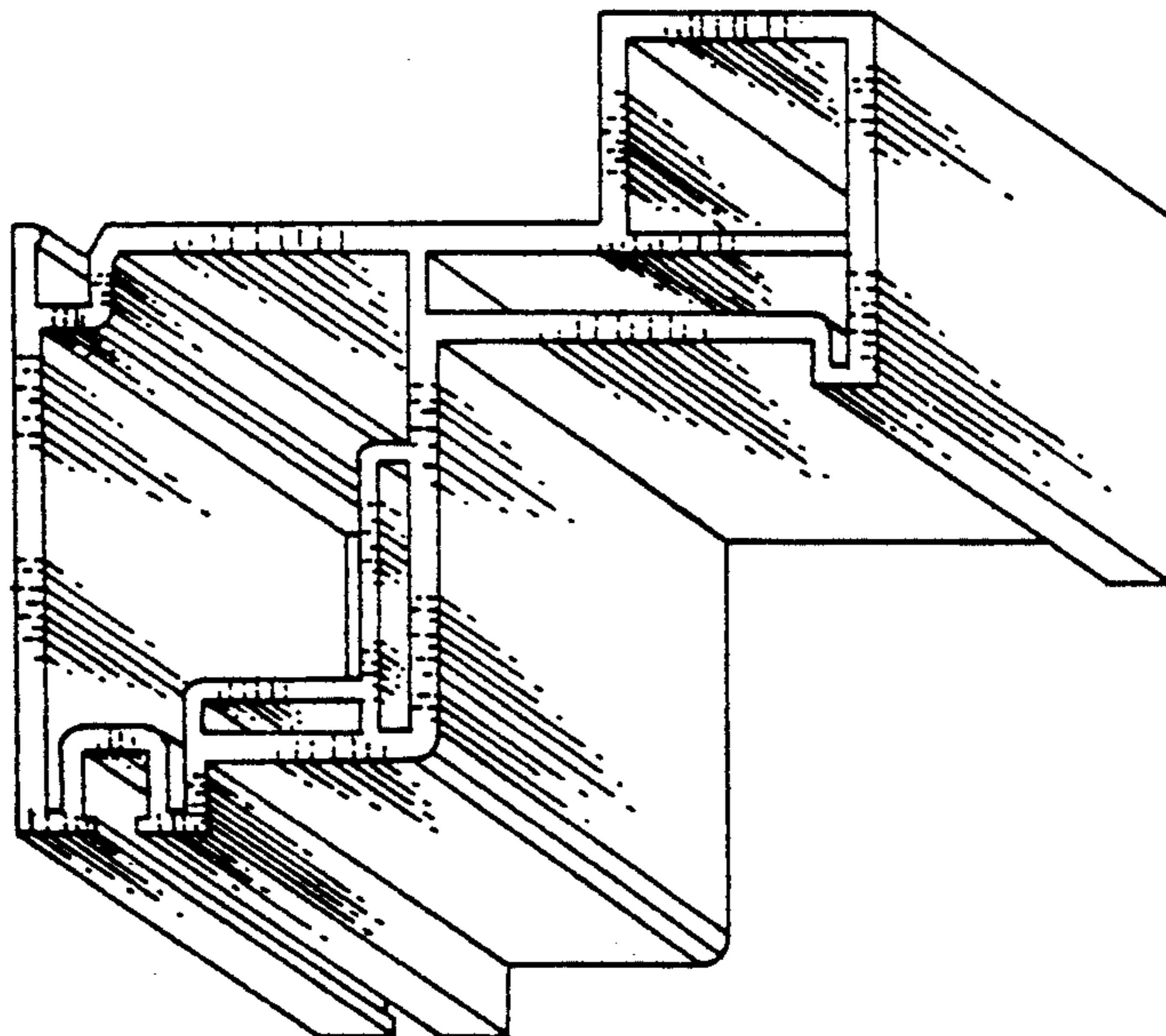
*Primary Examiner*—A. Hugo Word  
*Assistant Examiner*—Doris Clark  
*Attorney, Agent, or Firm*—Seed and Berry

[57] **CLAIM**

The ornamental design for a casement window vent bar extrusion, as shown and described.

**DESCRIPTION**

FIG. 1 is a bottom, left, perspective view of a casement window vent bar extrusion showing my new design; and, FIG. 2 is a top, right, perspective view thereof.



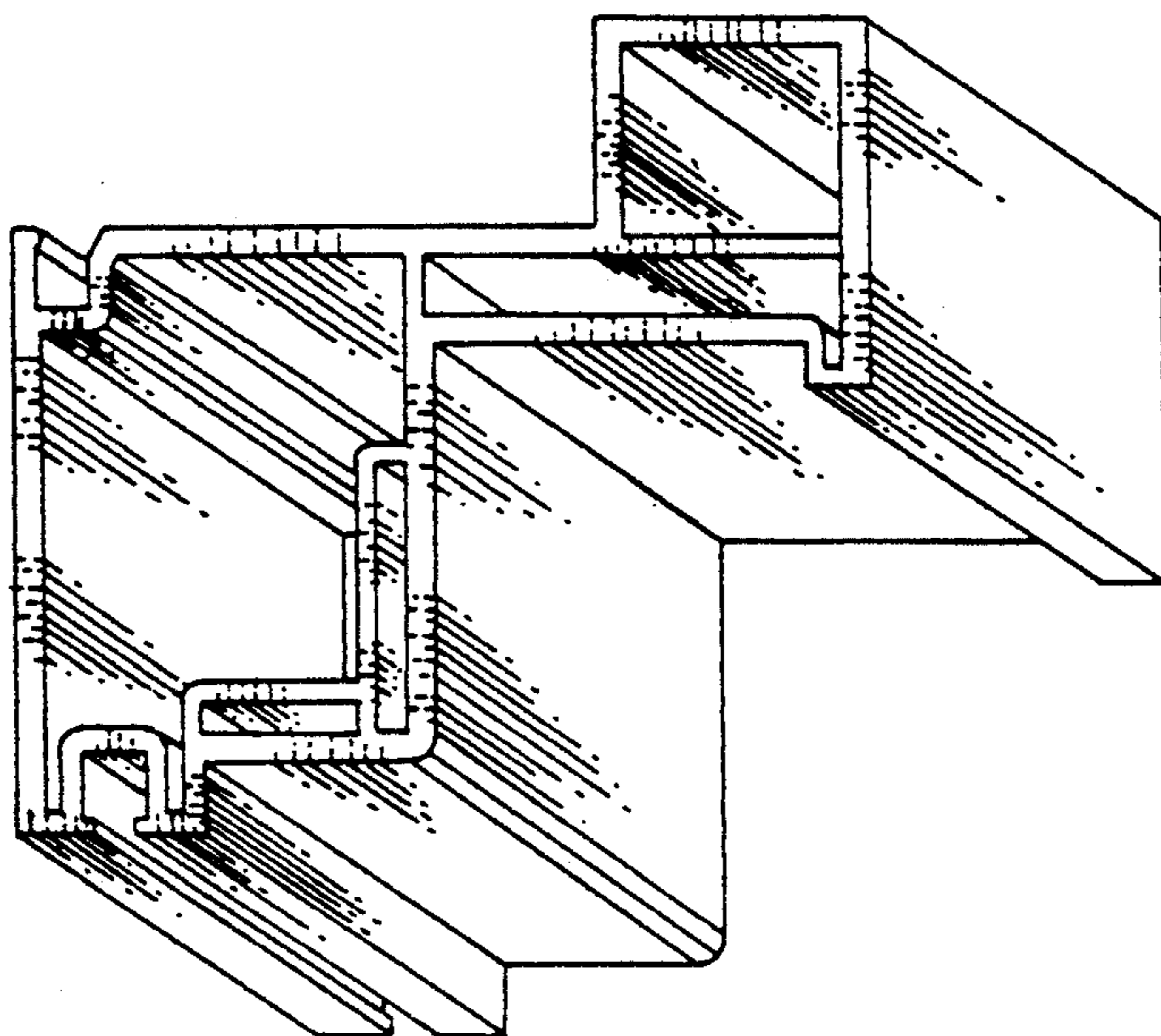


FIG. 1

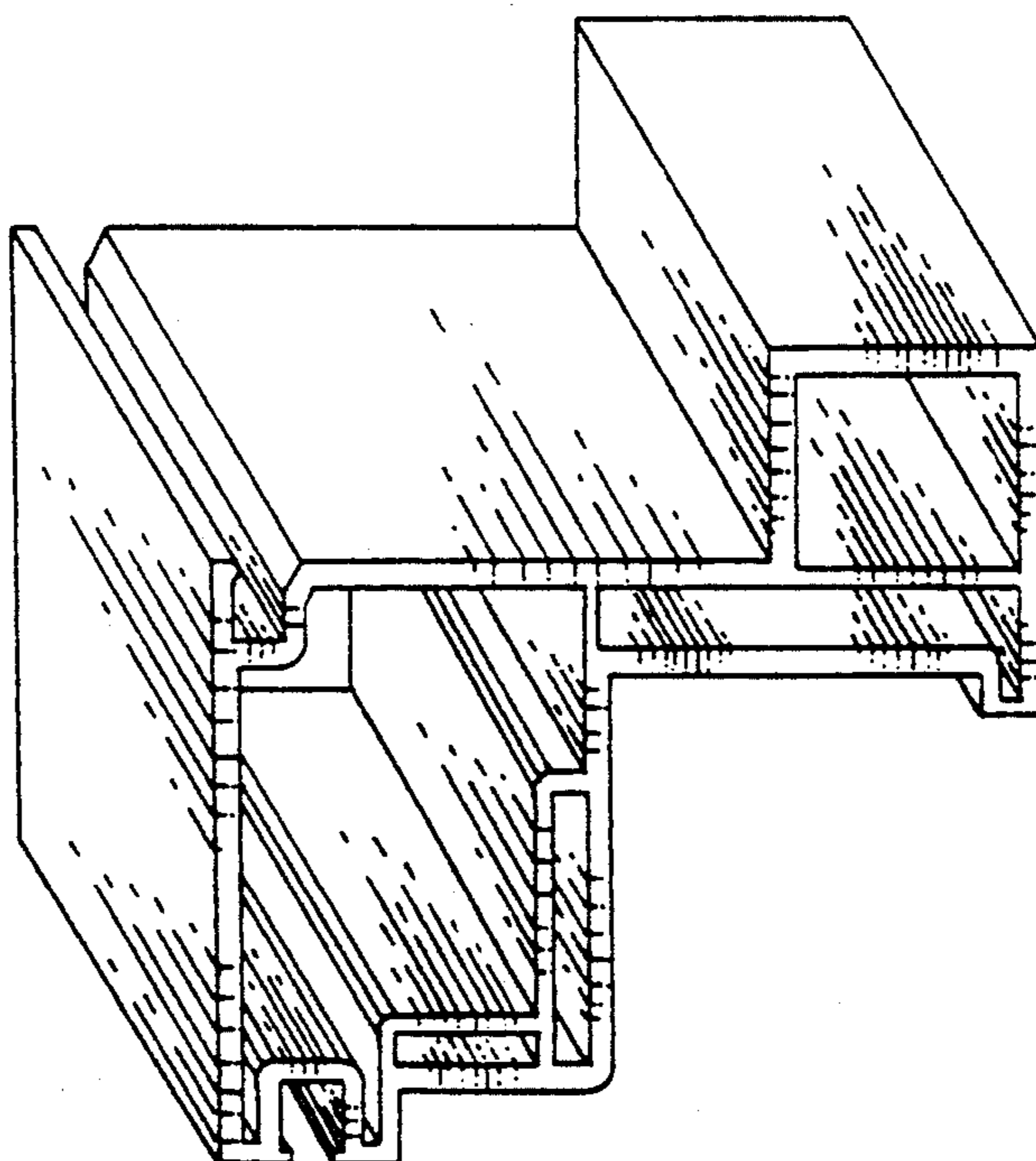


FIG. 2