



US00D335354S

United States Patent [19]

[11] Patent Number: Des. 335,354

Phillips

[45] Date of Patent: ** May 4, 1993

[54] LADDER HANDRAIL

[76] Inventor: Bryant E. Phillips, 7932 Allott Ave., Van Nuys, Calif. 91402

[**] Term: 14 Years

[21] Appl. No.: 366,409

[22] Filed: Jun. 15, 1989

[52] U.S. Cl. D25/68

[58] Field of Search D25/41, 38, 43, 62, D25/63-66, 68, 69; 182/112, 106, 113, 182, 189, 228; 256/59, 63-65, 67

4,181,195	1/1980	Clarke	182/106
4,293,055	10/1981	Hooser	.	
4,295,544	10/1981	Peterson	.	
4,303,145	12/1981	Vazquez	.	
4,425,984	1/1984	LaChance	.	
4,509,617	4/1985	Lapeyre	182/106
4,515,242	5/1985	LaChance	.	
4,648,481	3/1987	Lee	.	

Primary Examiner—A. Hugo Word
Assistant Examiner—Doris Clark
Attorney, Agent, or Firm—Kelly, Bauersfeld & Lowry

[57] CLAIM

The ornamental design for a ladder handrail, as shown and described.

[56] References Cited

U.S. PATENT DOCUMENTS

D. 181,617	12/1957	Allison	182/106
1,335,652	3/1920	Calargo	182/106
2,010,588	8/1935	Gooden	.	
2,401,251	5/1946	Kelsey	182/106
2,551,345	5/1951	Scott	.	
2,572,281	10/1951	Pierce	.	
2,576,277	11/1951	Biegen	.	
2,640,641	6/1953	Tepper	.	
2,750,236	6/1956	Middendorf	182/106
2,933,149	4/1960	Lee	182/106
4,044,857	8/1977	Guerette	.	

DESCRIPTION

FIG. 1 is a perspective view of a ladder handrail showing my new design, the broken line showing of a ladder is for illustrative purposes only and forms no part of the claimed design;

FIG. 2 is a left side elevational view thereof;

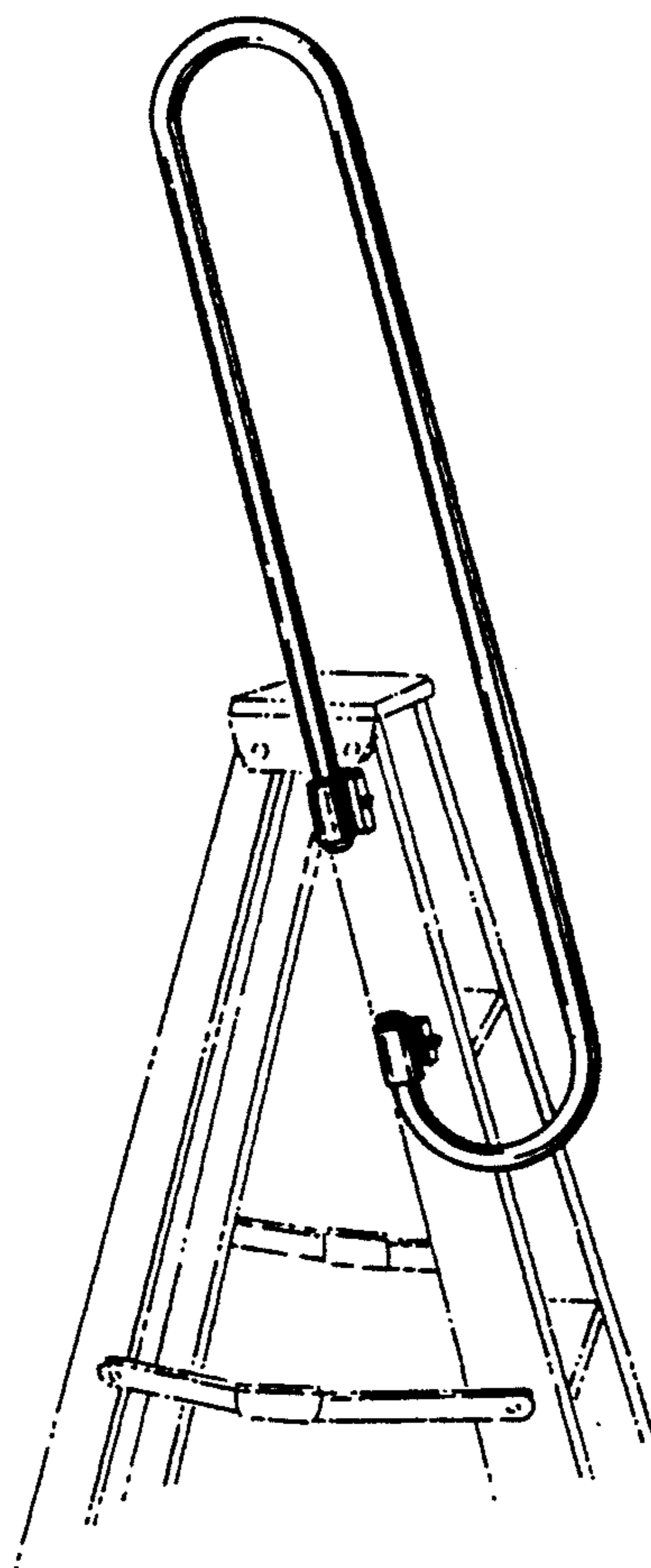
FIG. 3 is a front elevational view thereof;

FIG. 4 is a right side elevational view thereof;

FIG. 5 is a rear elevational view thereof;

FIG. 6 is a bottom plan view thereof; and,

FIG. 7 is a top plan view thereof.



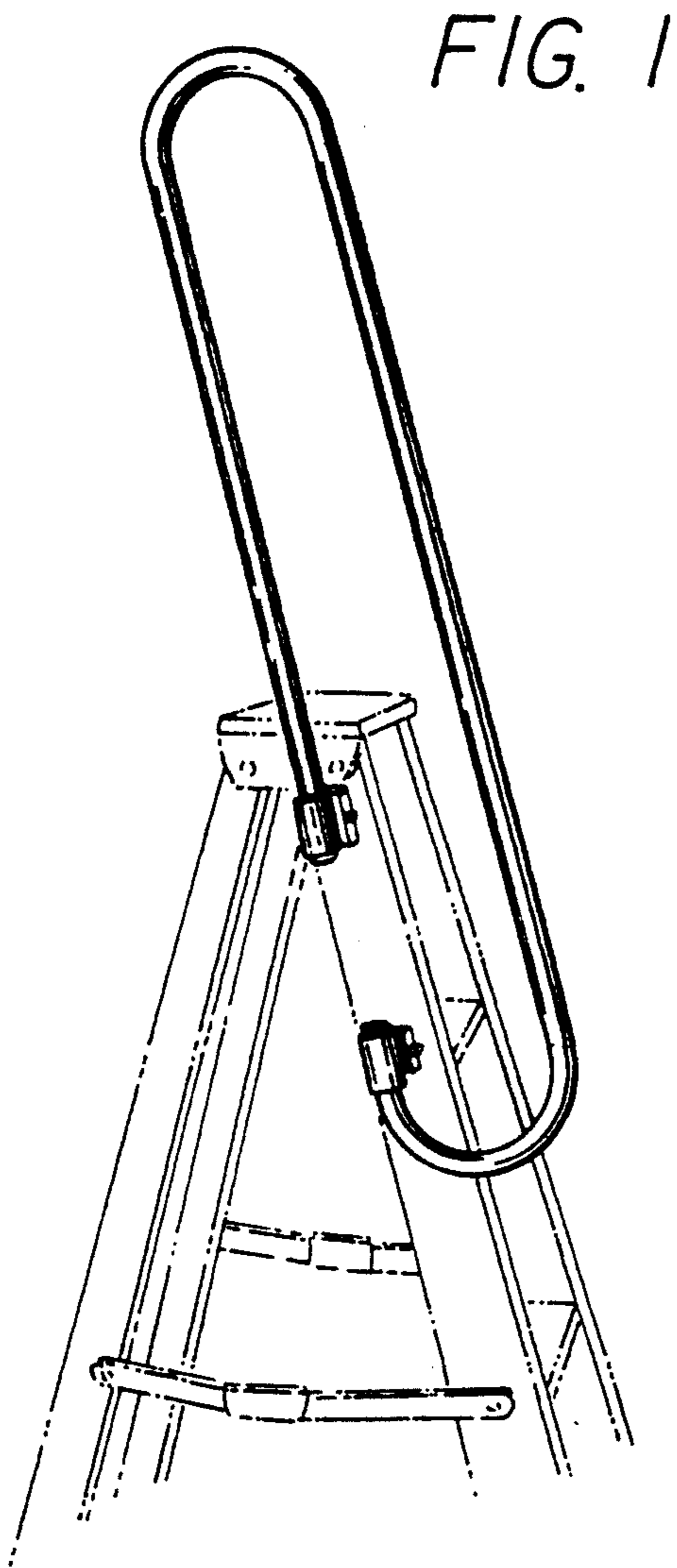


FIG. 2

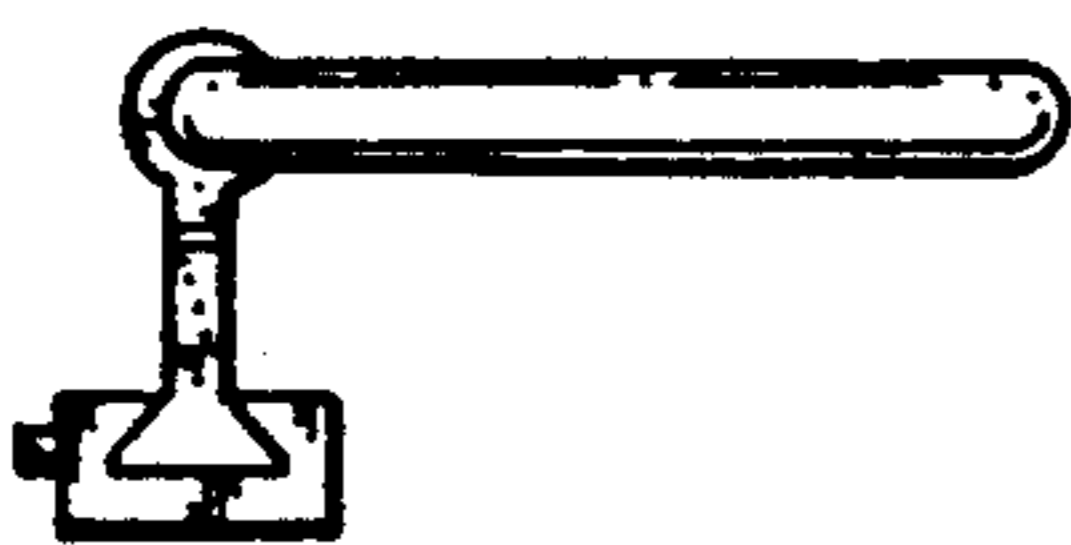
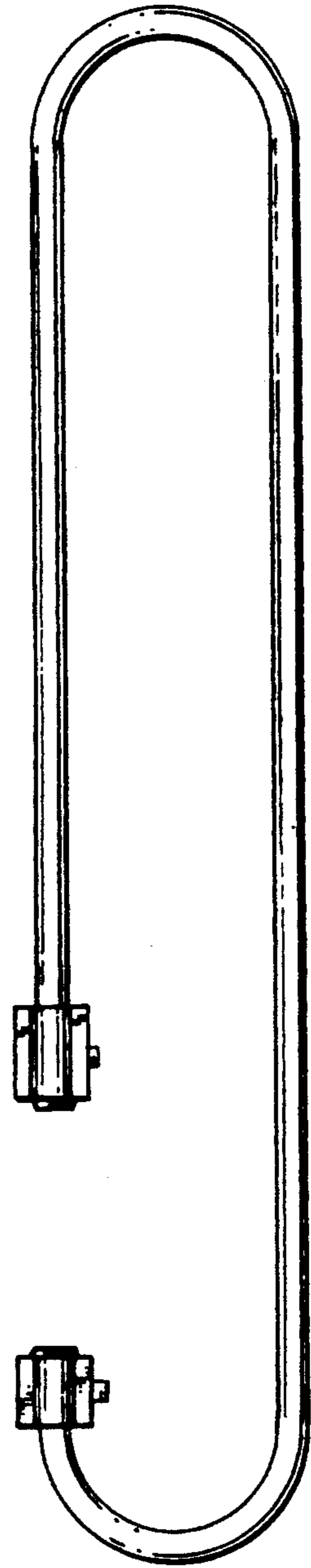


FIG. 6



FIG. 7



FIG. 3

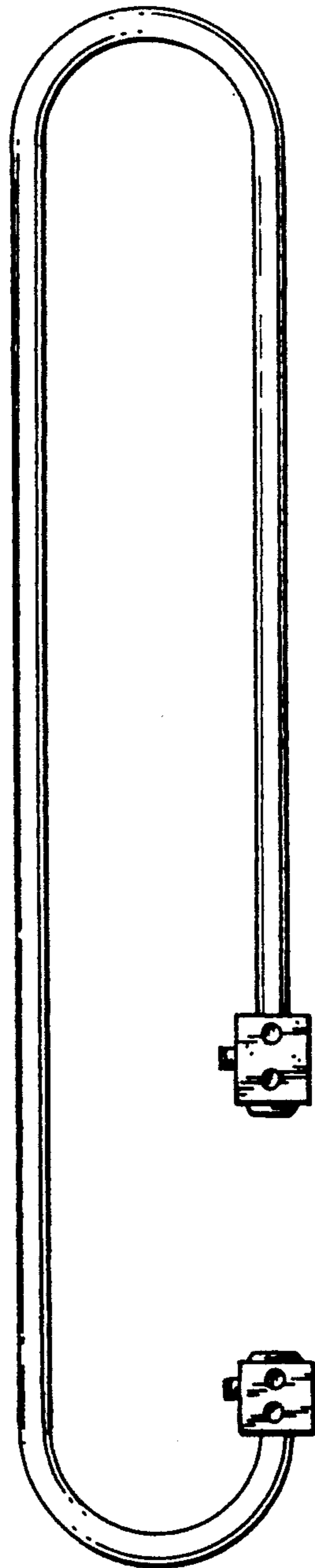


FIG. 4

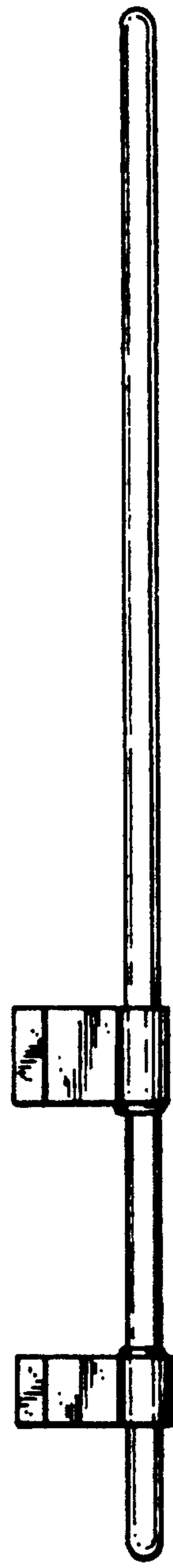


FIG. 5