



US00D335353S

United States Patent [19]

Baker

[11] Patent Number: Des. 335,353

[45] Date of Patent: ** May 4, 1993

[54] RAILING EXTRUSION

[76] Inventor: Neill E. Baker, 13900 60th Avenue, Surrey, British Columbia, Canada, V3W 1S7

[**] Term: 14 Years

[21] Appl. No.: 649,819

[22] Filed: Feb. 1, 1991

[52] U.S. Cl. D25/38

[58] Field of Search D25/38, 37, 43, 122, D25/123; 256/59, 66, 21, DIG. 6

[56] **References Cited**

U.S. PATENT DOCUMENTS

2,461,082	2/1949	Purnell	D25/122
2,820,613	1/1958	Schilling	D25/43
2,873,095	2/1959	Blum	D. 25/38
3,982,735	9/1976	Fornells	256/59
4,014,520	3/1977	Walters	256/59
4,220,316	9/1980	Naka et al.	256/59
4,920,717	5/1990	Hooper, Jr.	256/59

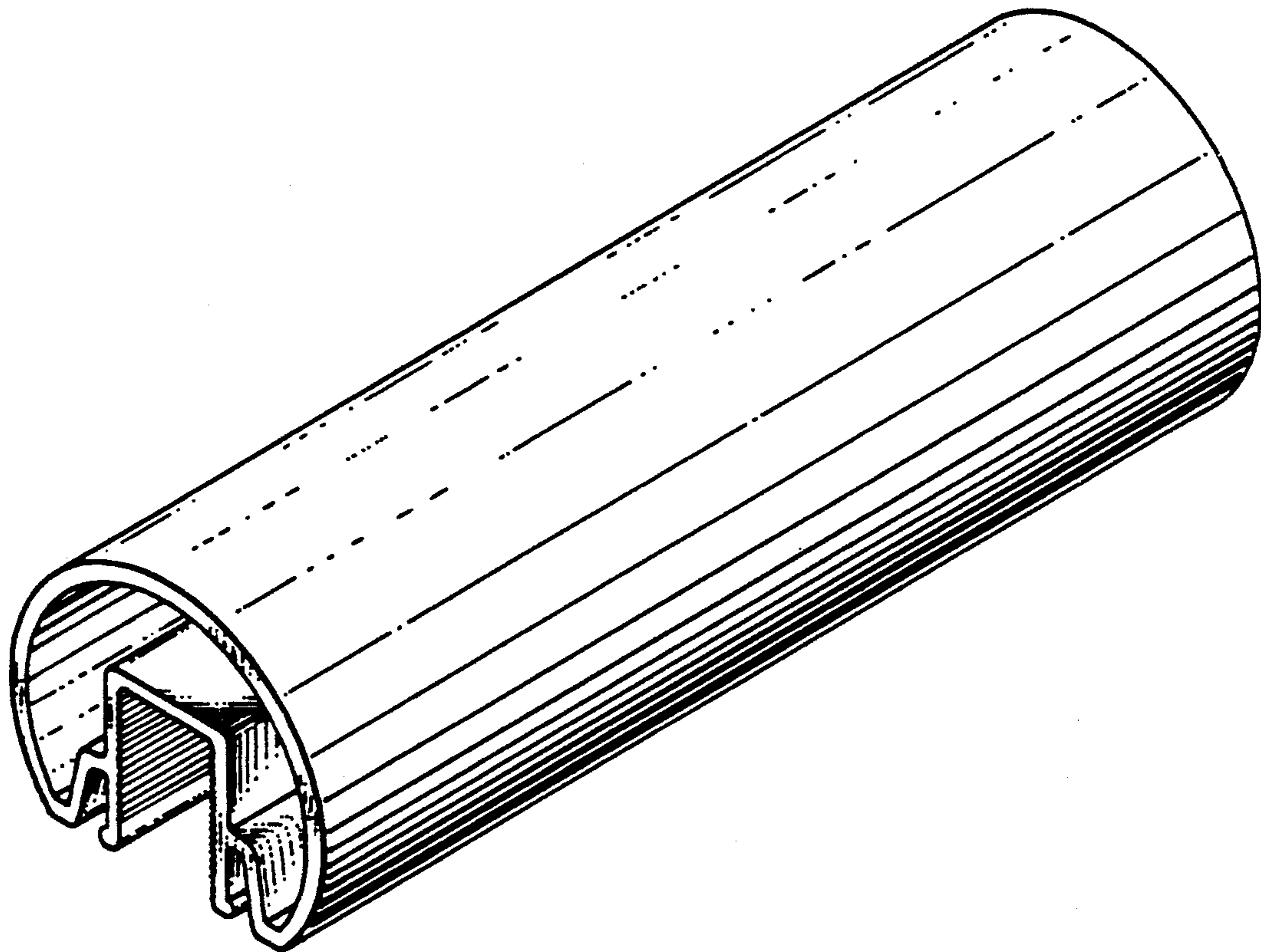
Primary Examiner—A. Hugo Word
Assistant Examiner—Doris Clark
Attorney, Agent, or Firm—Norman M. Cameron

[57] **CLAIM**

The ornamental design for a railing extrusion, as shown and described.

DESCRIPTION

FIG. 1 is a top, front isometric view of a railing extrusion showing the new design;
FIG. 2 is an end view thereof;
FIG. 3 is a bottom plan thereof;
FIG. 4 is a side elevation thereof, the other side being identical;
FIG. 5 is a top plan thereof;
FIG. 6 is an end view of a variation thereof which is partly elliptical;
FIG. 7 is a top, front isometric view of the embodiment of FIG. 6;
FIG. 8 is a top, front isometric view of a variation thereof having flat sides and a rounded top; and,
FIG. 9 is an end view of the embodiment of FIG. 8.



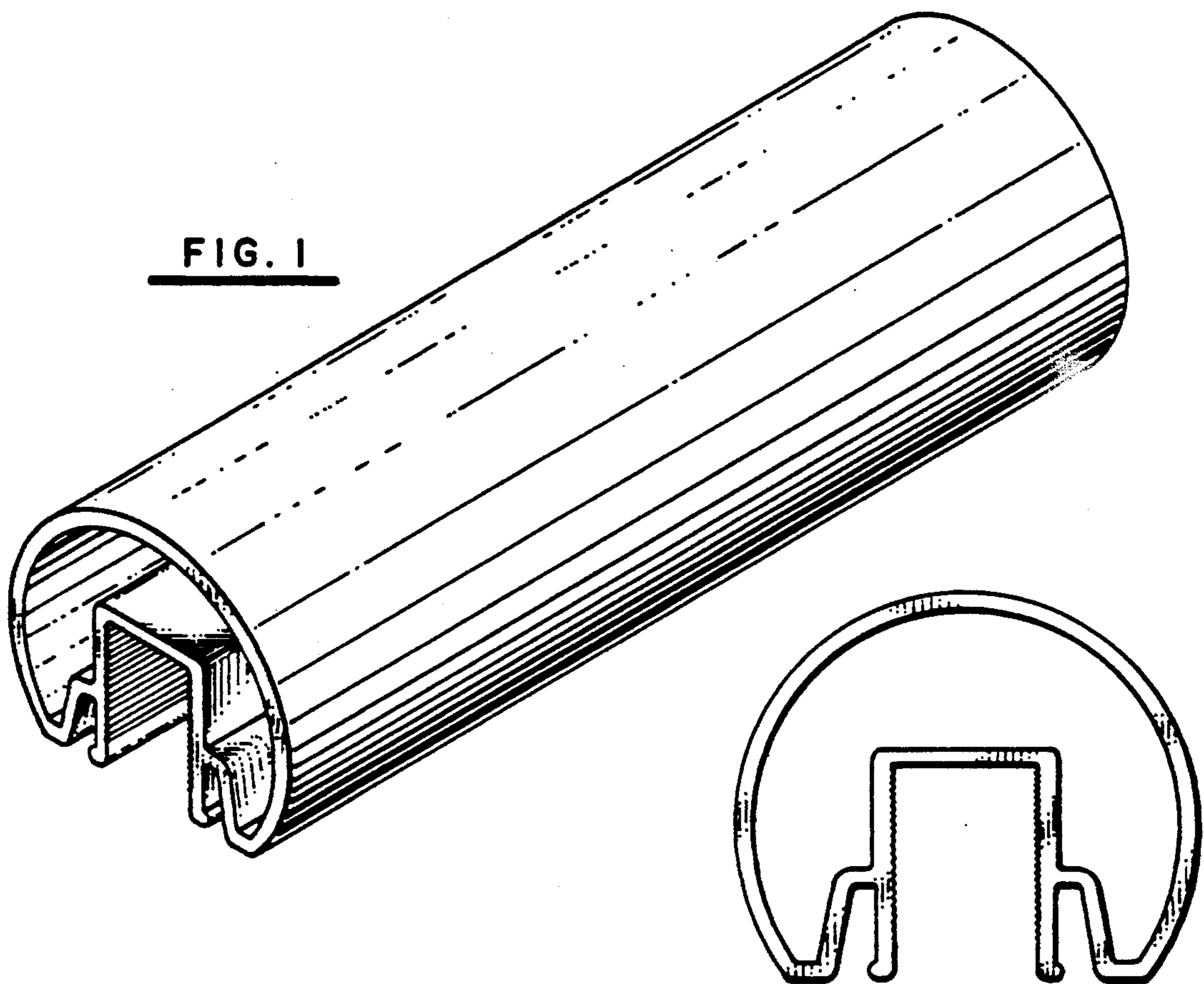


FIG. 2

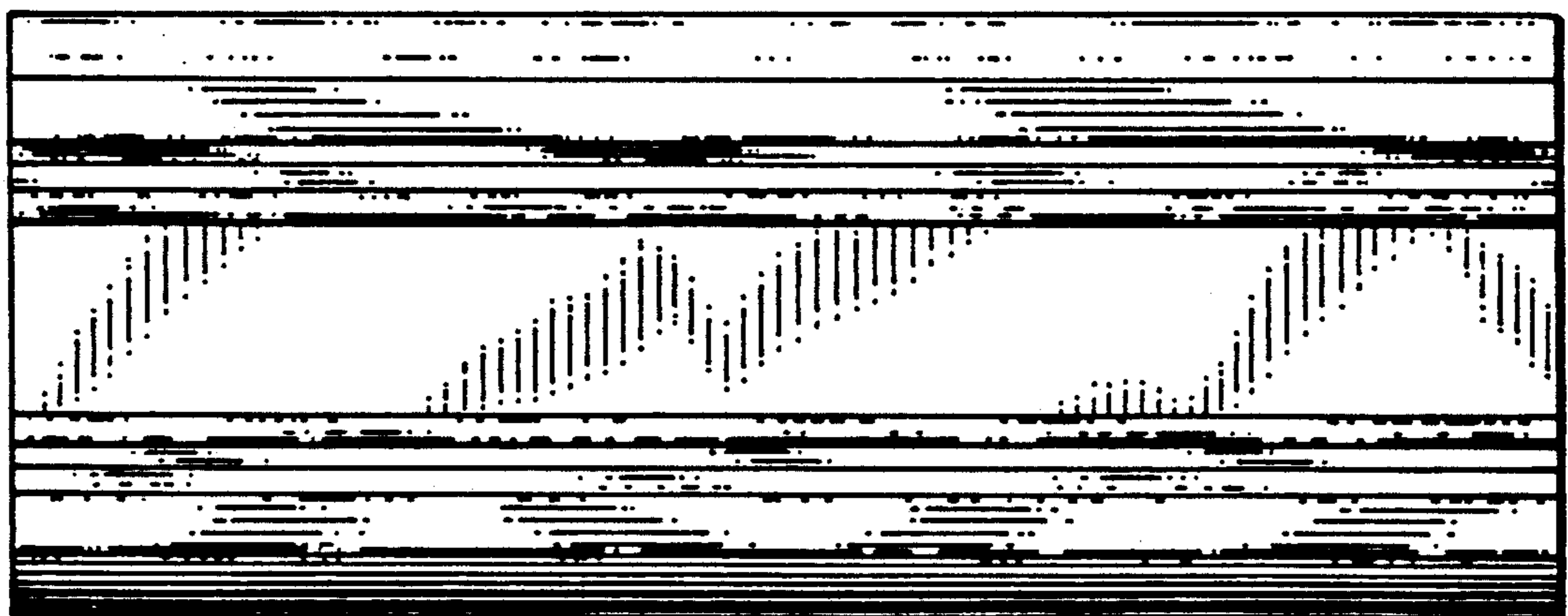


FIG. 3

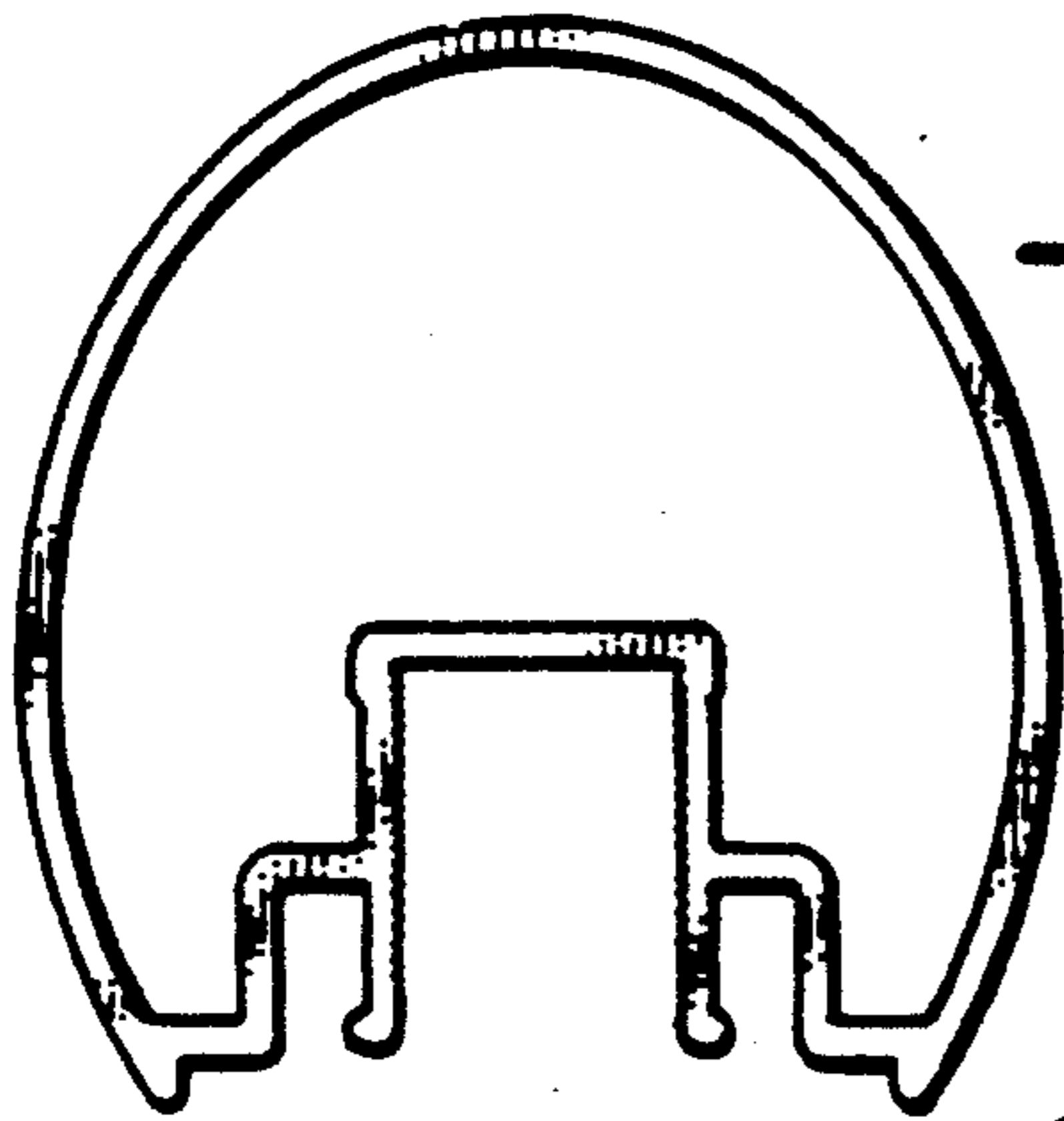


FIG. 6

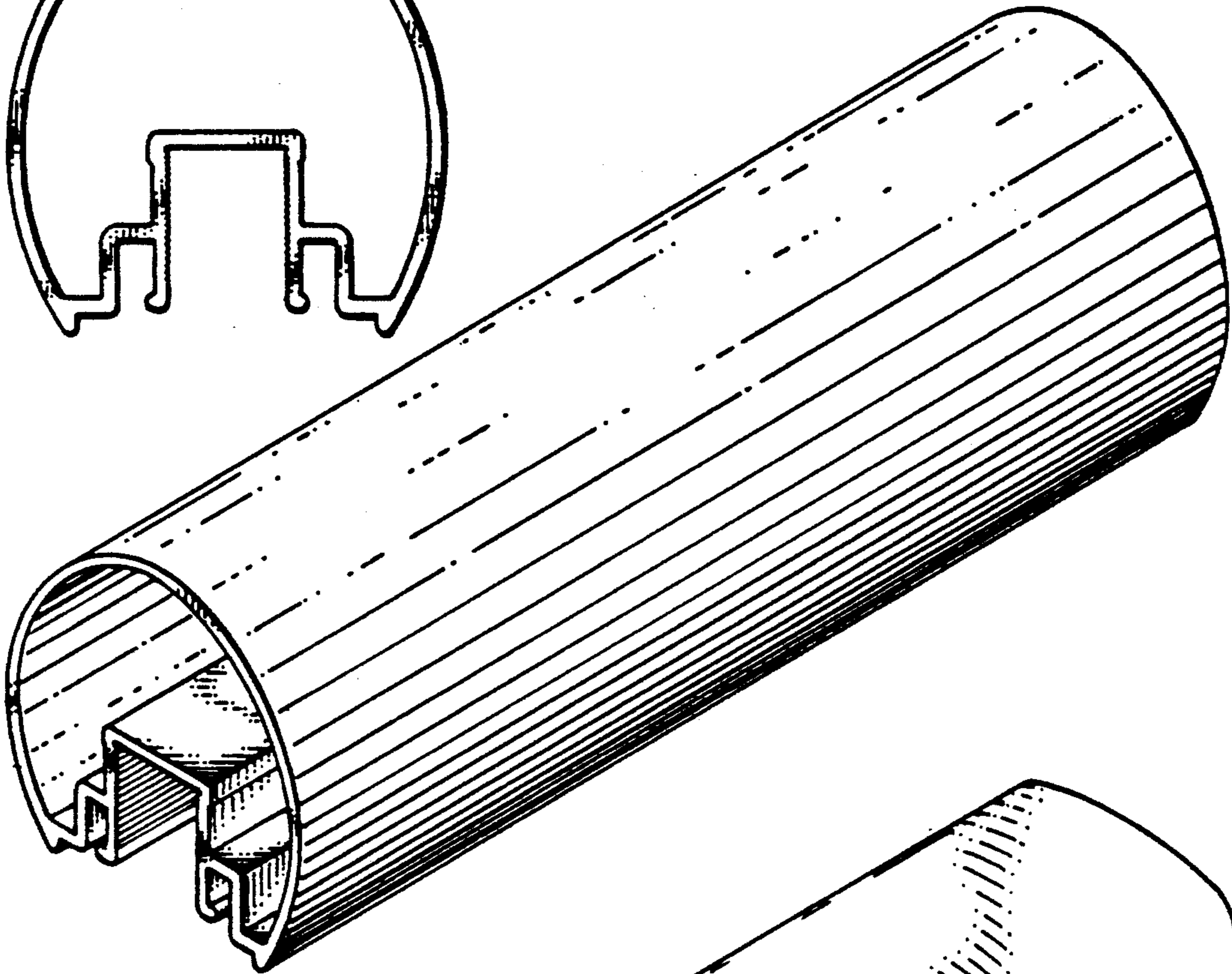


FIG. 7

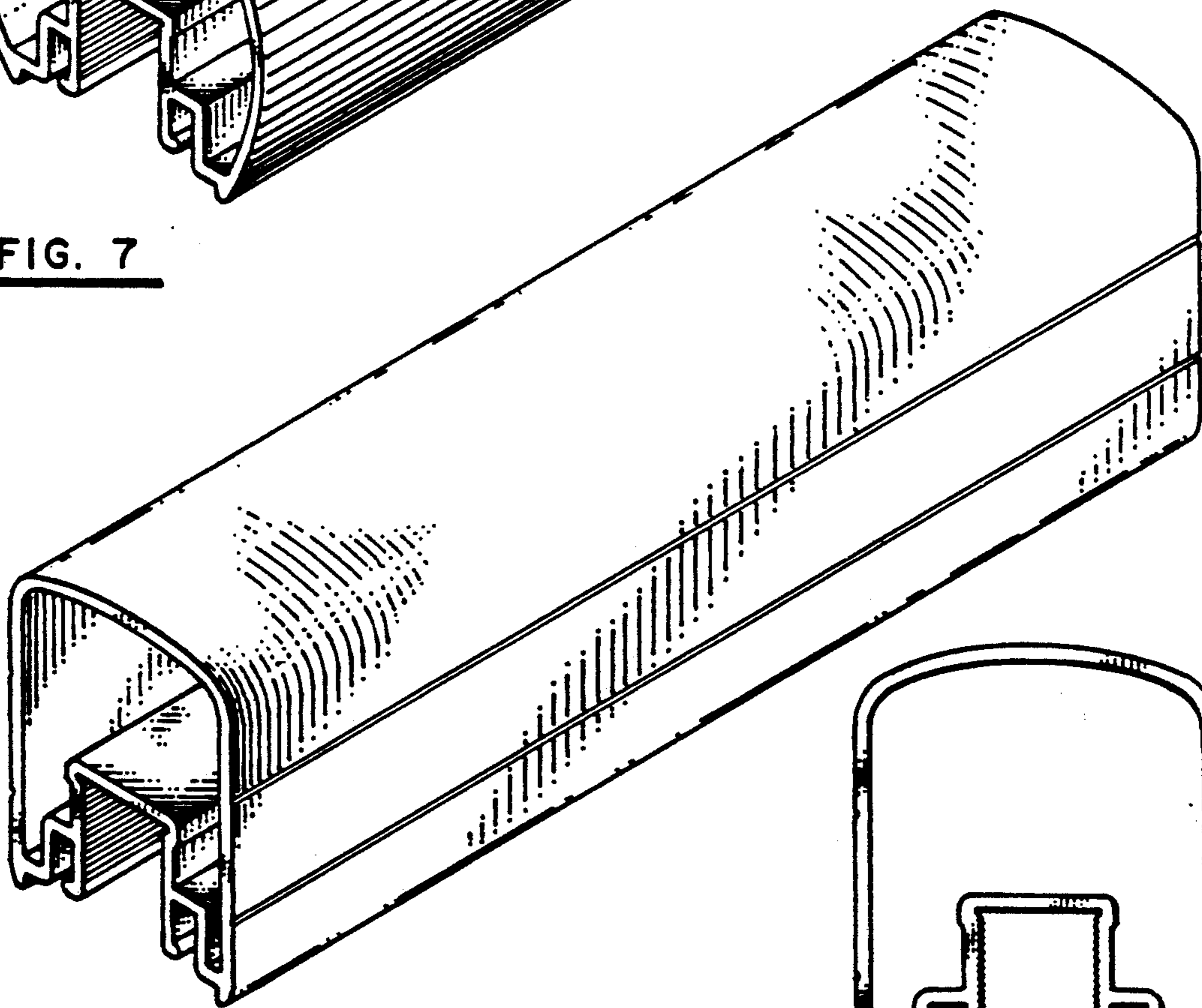


FIG. 8

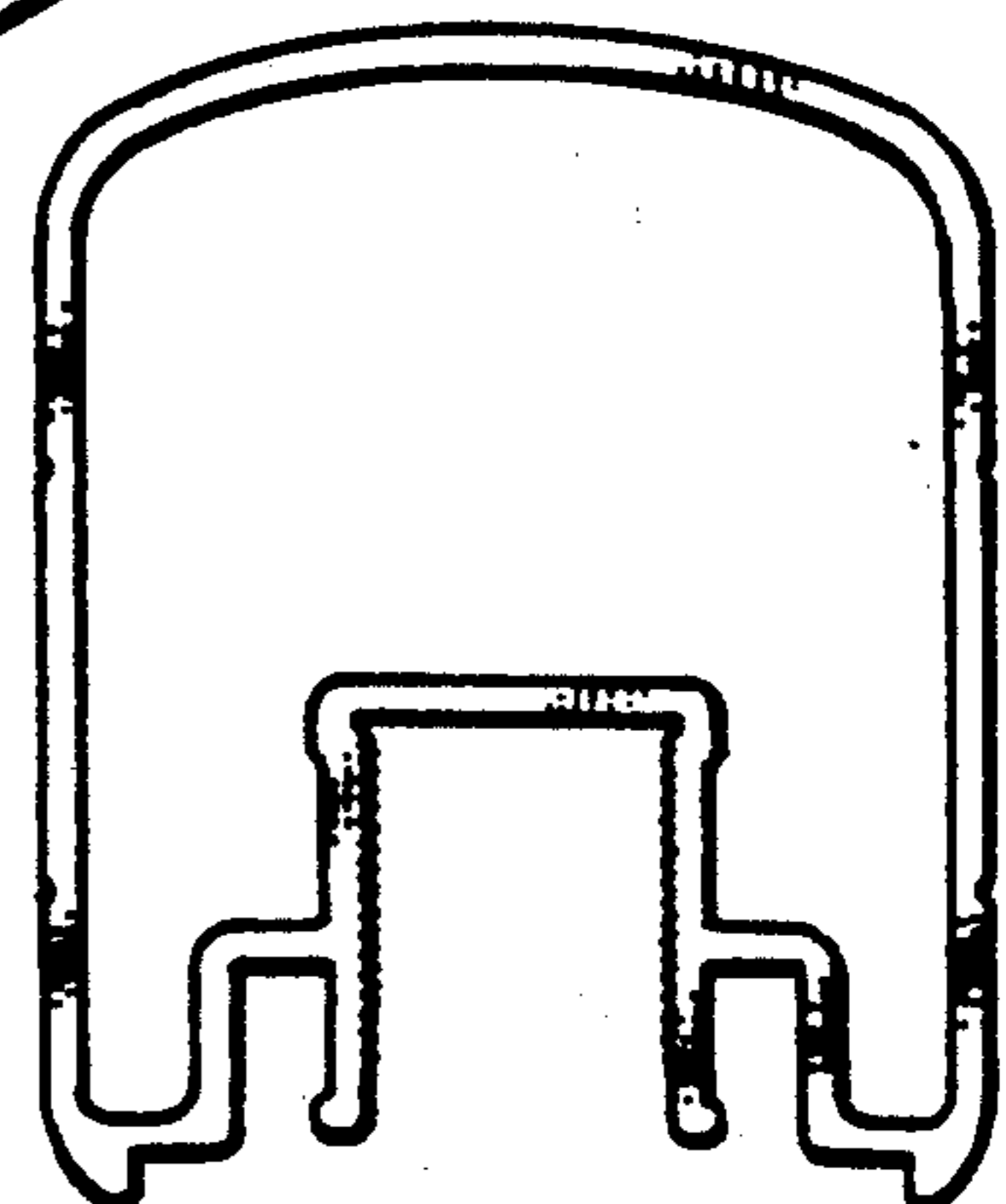


FIG. 9