



US00D335351S

United States Patent [19]

Melnick

[11] Patent Number: Des. 335,351

[45] Date of Patent: ** May 4, 1993

[54] FOOT DIAGNOSIS UNIT

[75] Inventor: Stanley J. Melnick, Dallas, Tex.

[73] Assignee: Russell D. Morgan, Midlothian, Tex.
; a part interest

[**] Term: 14 Years

[21] Appl. No.: 526,614

[22] Filed: May 22, 1990

[52] U.S. Cl. D24/186

[58] Field of Search D24/188, 200, 186, 213,
D24/231; 36/140; 382/2; 33/3 B; 128/734, 774

[56] References Cited

U.S. PATENT DOCUMENTS

D. 328,132	7/1992	Beardall et al.	D24/186
4,947,862	8/1990	Kelly	128/734
5,025,476	6/1991	Gould et al.	382/2

Primary Examiner—Stella Reid

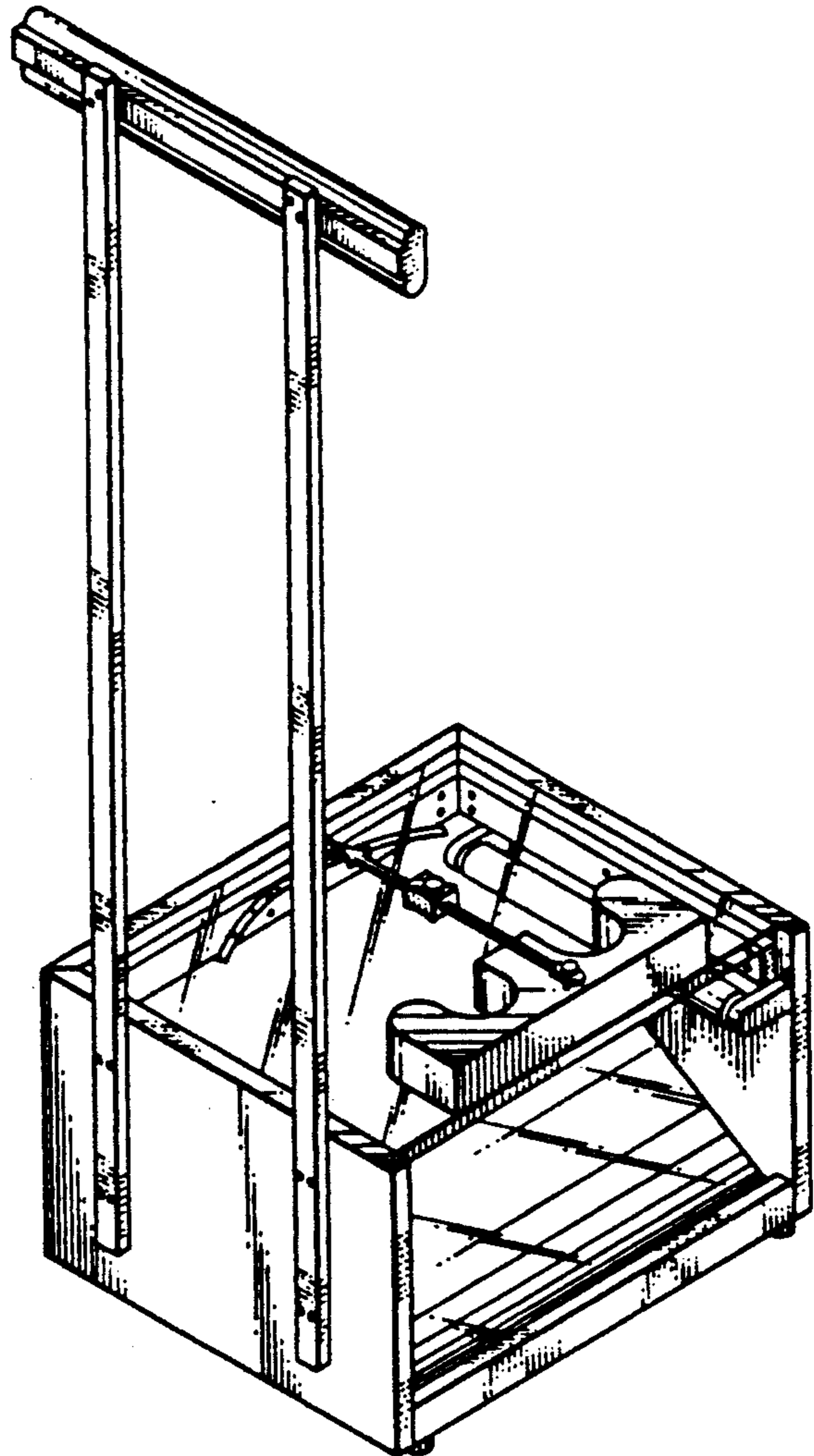
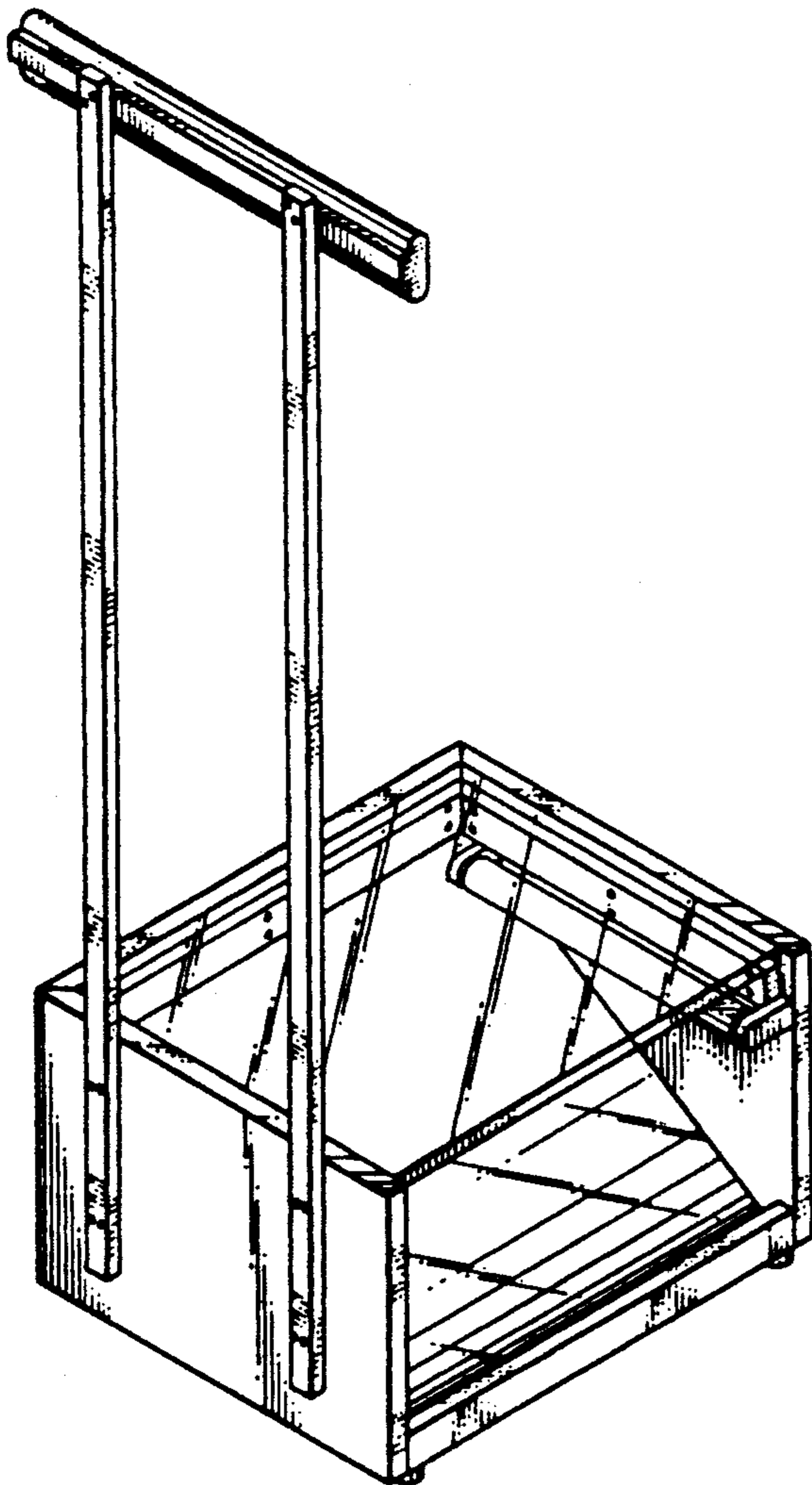
Attorney, Agent, or Firm—Timmons & Kelly

[57] CLAIM

The ornamental design for a foot diagnosis unit, as shown and described.

DESCRIPTION

FIG. 1 is a front left perspective view of a foot diagnosis unit showing my new design;
 FIG. 2 is a left side elevational view thereof;
 FIG. 3 is a front elevational view thereof;
 FIG. 4 is a rear elevational view thereof;
 FIG. 5 is a top plan view thereof;
 FIG. 6 is a bottom plan view thereof;
 FIG. 7 is a front left perspective view of an alternative embodiment of a foot diagnosis unit showing my new design;
 FIG. 8 is a left side elevational view thereof;
 FIG. 9 is a front elevational view thereof;
 FIG. 10 is a rear elevational view thereof;
 FIG. 11 is a top plan view thereof; and,
 FIG. 12 is a bottom plan view thereof.



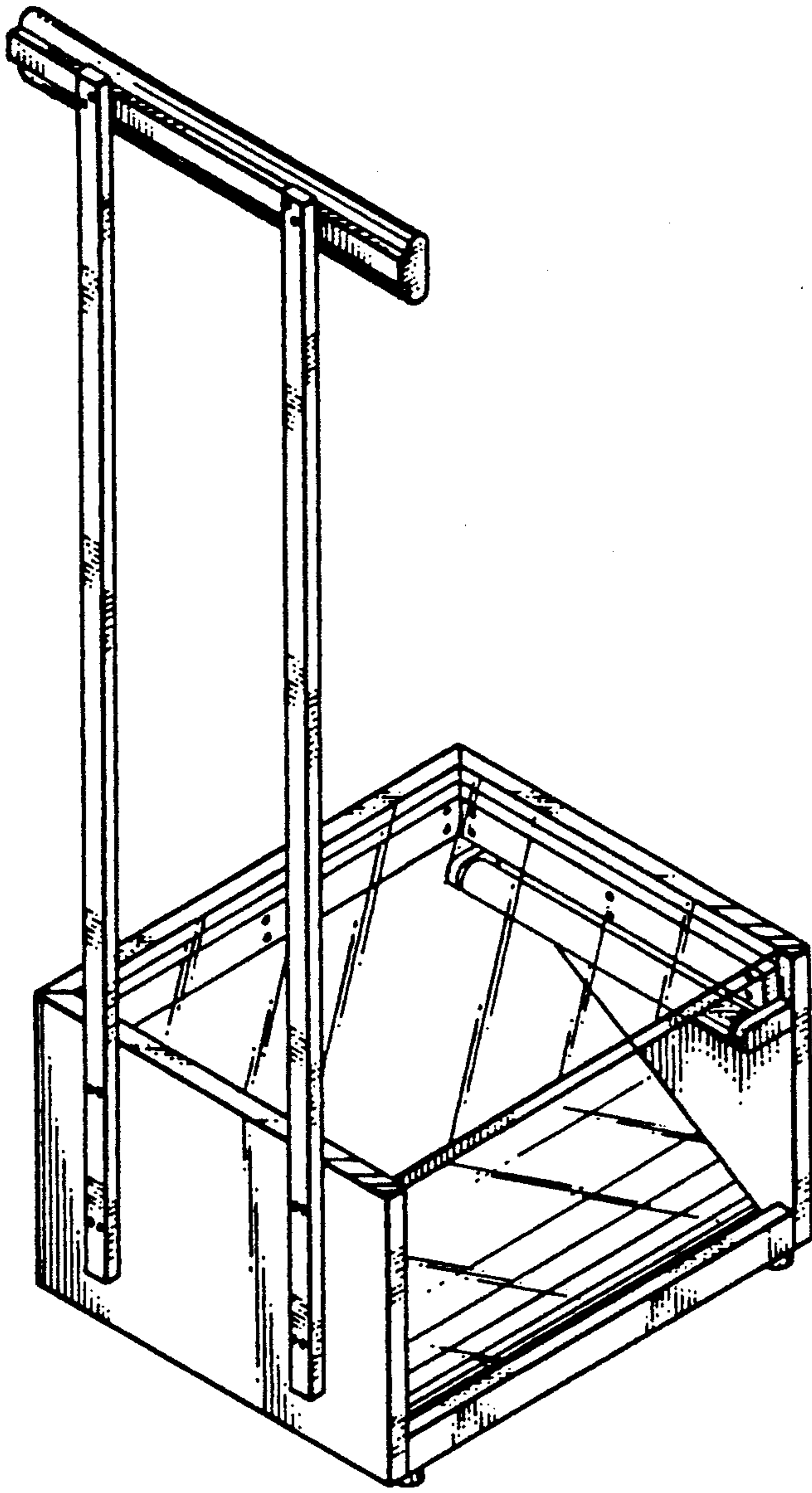


FIG. 1

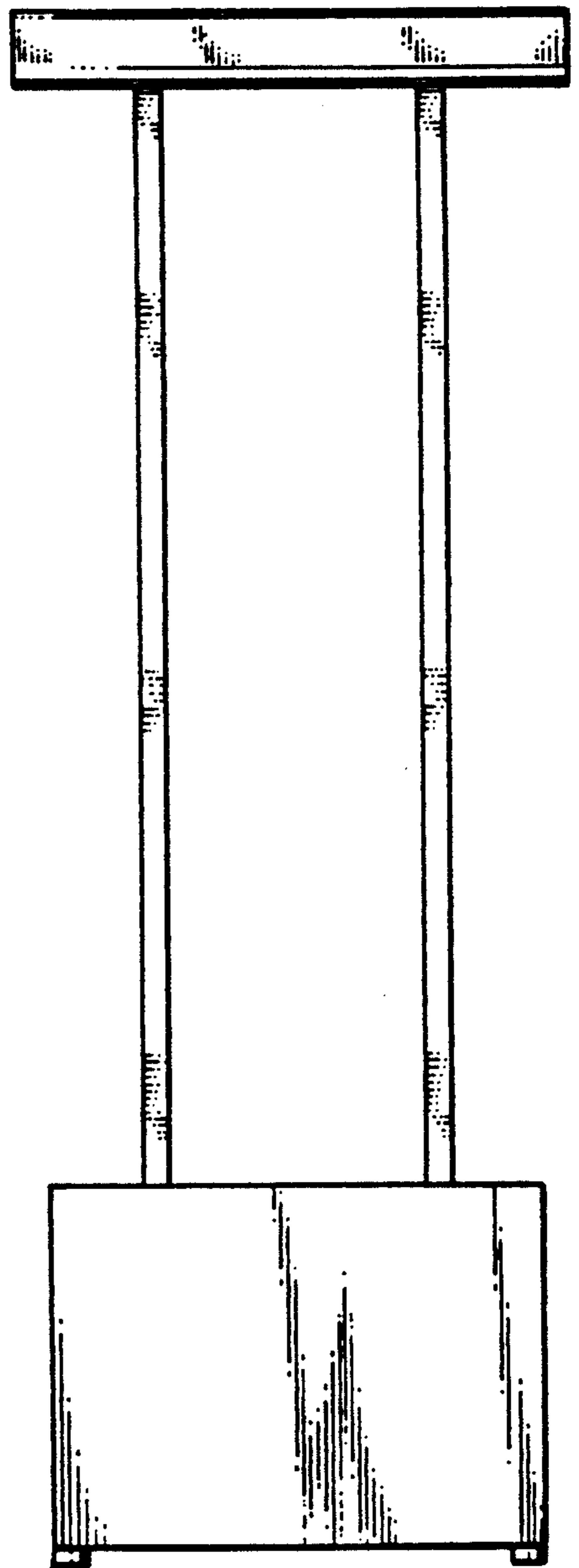


FIG. 2

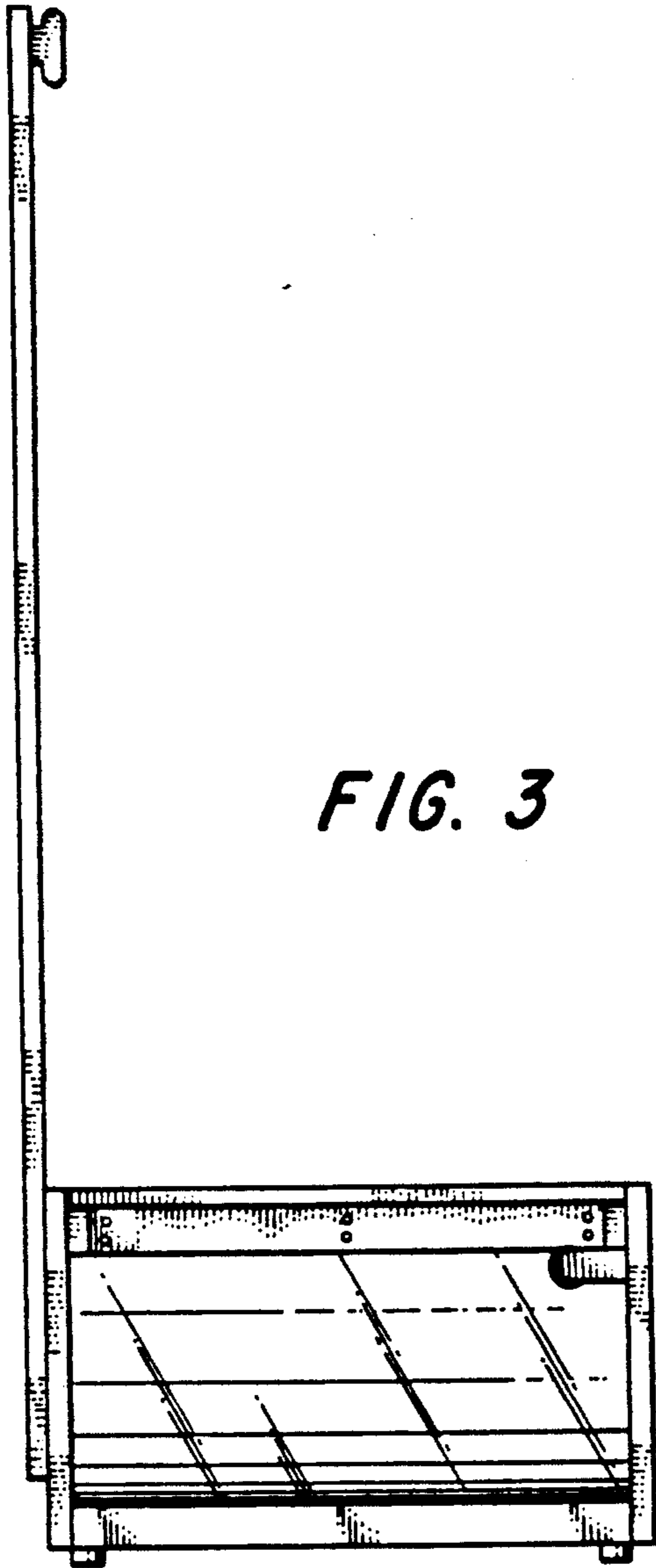


FIG. 3

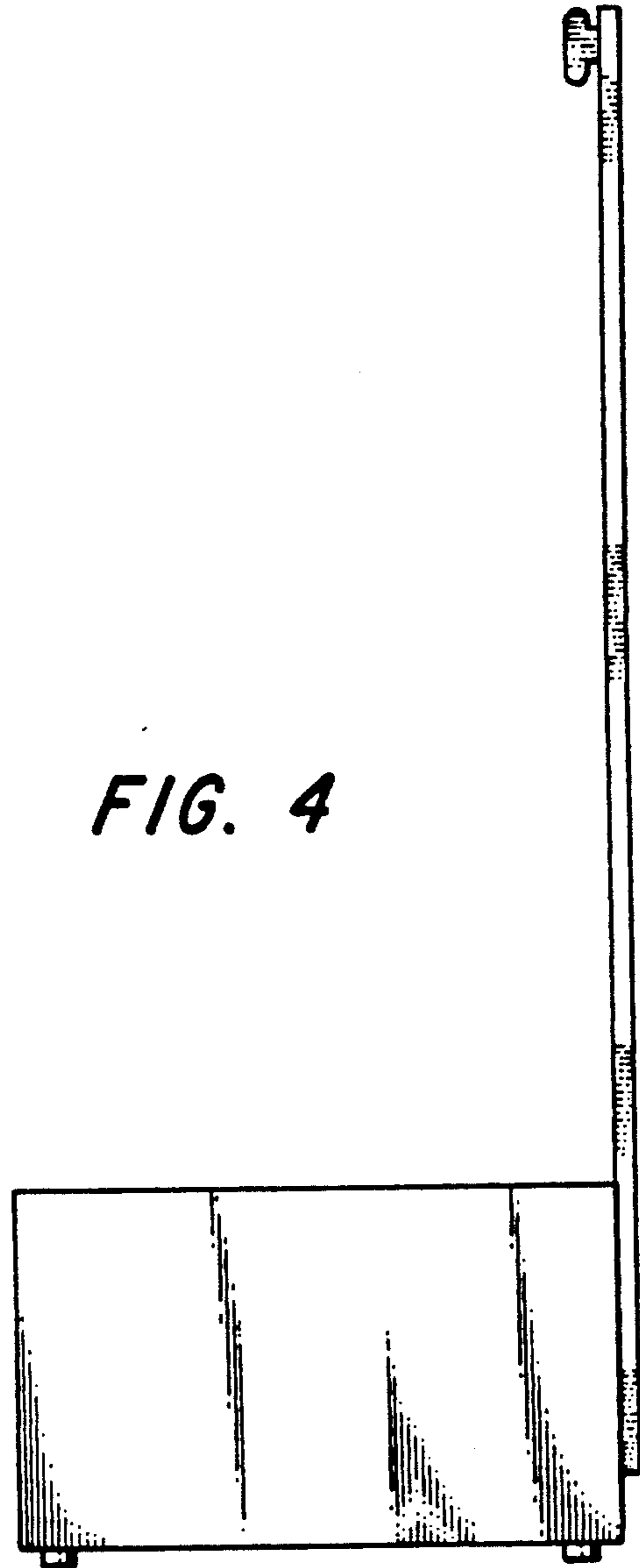


FIG. 4

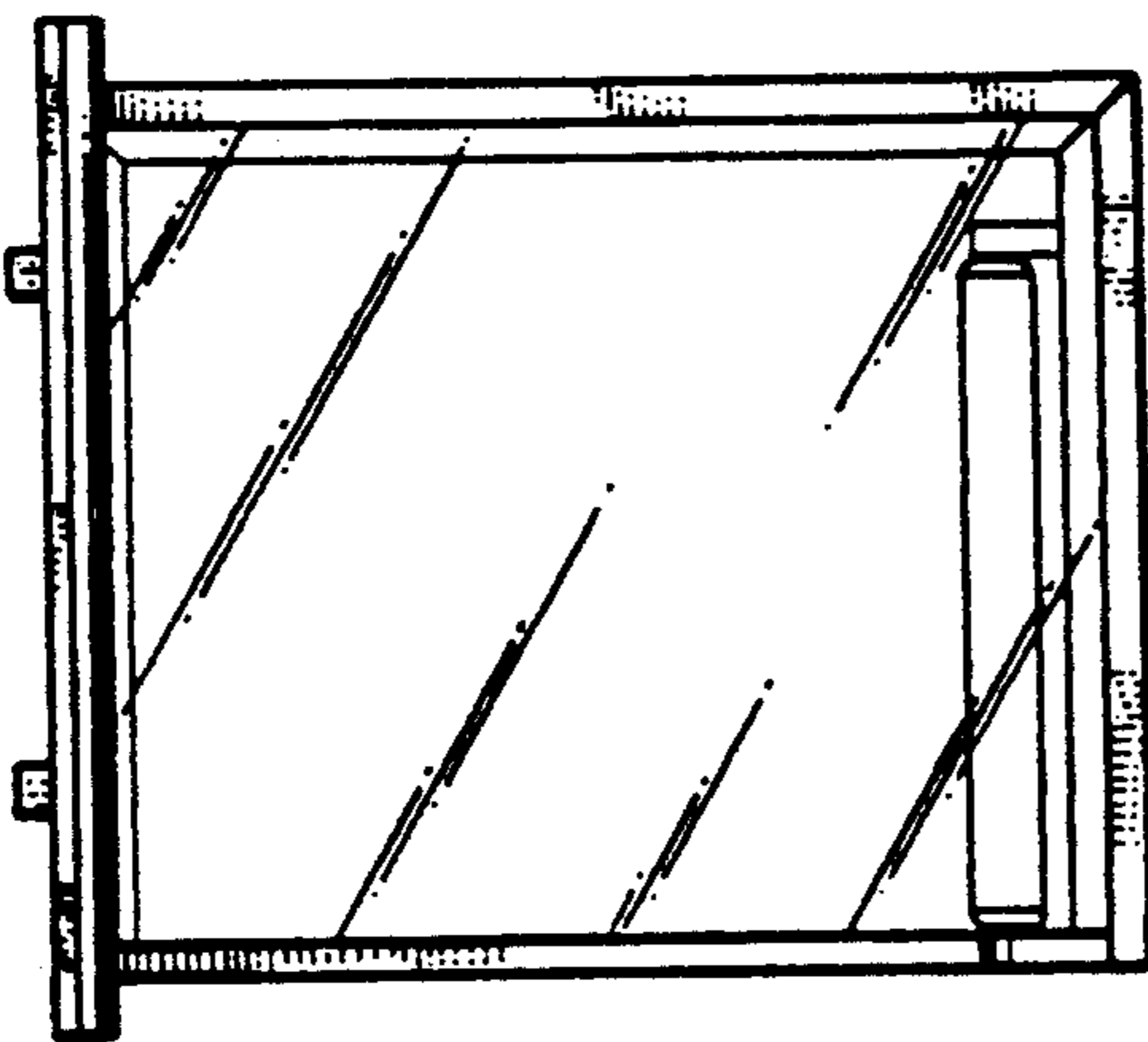


FIG. 5

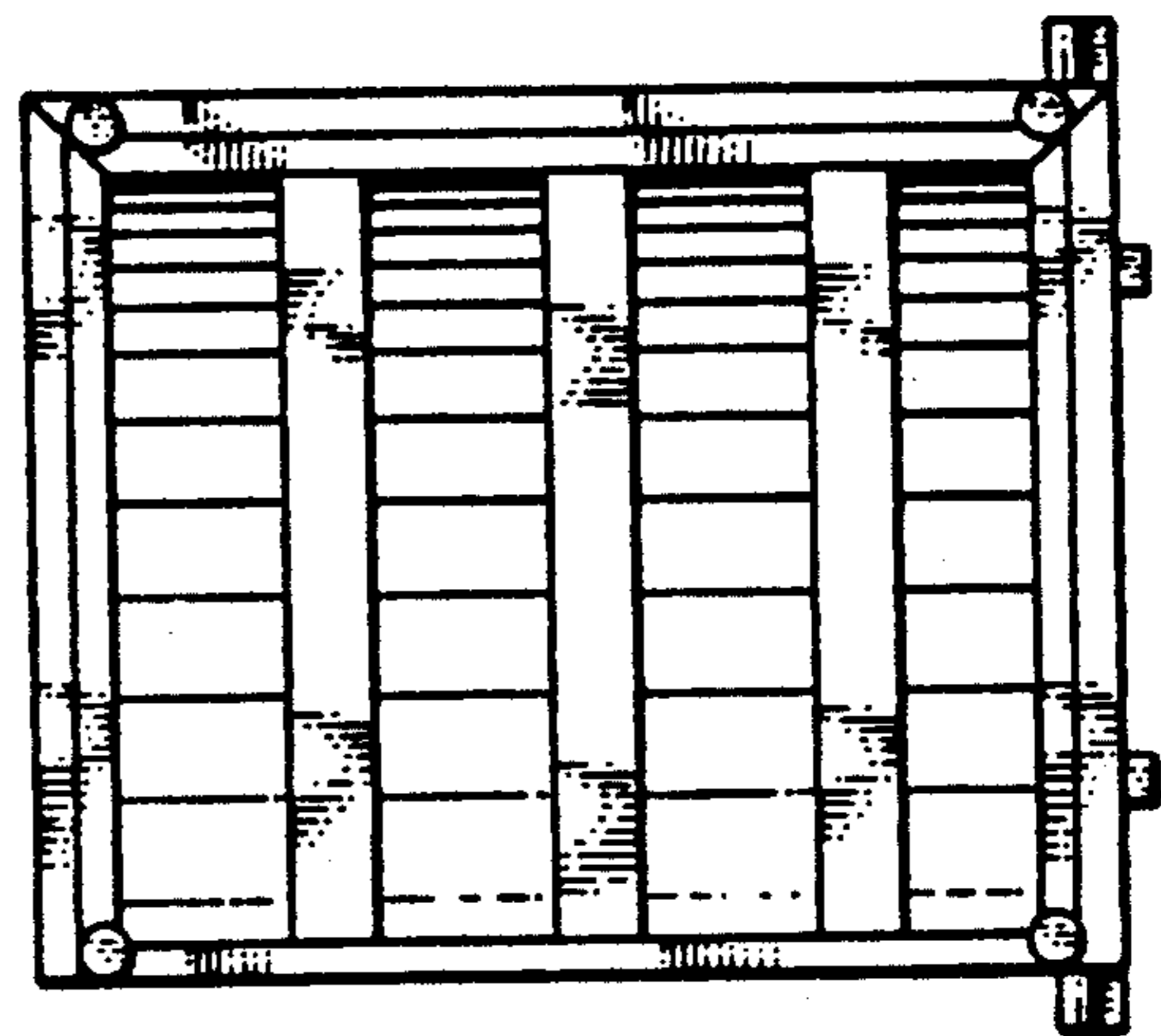


FIG. 6

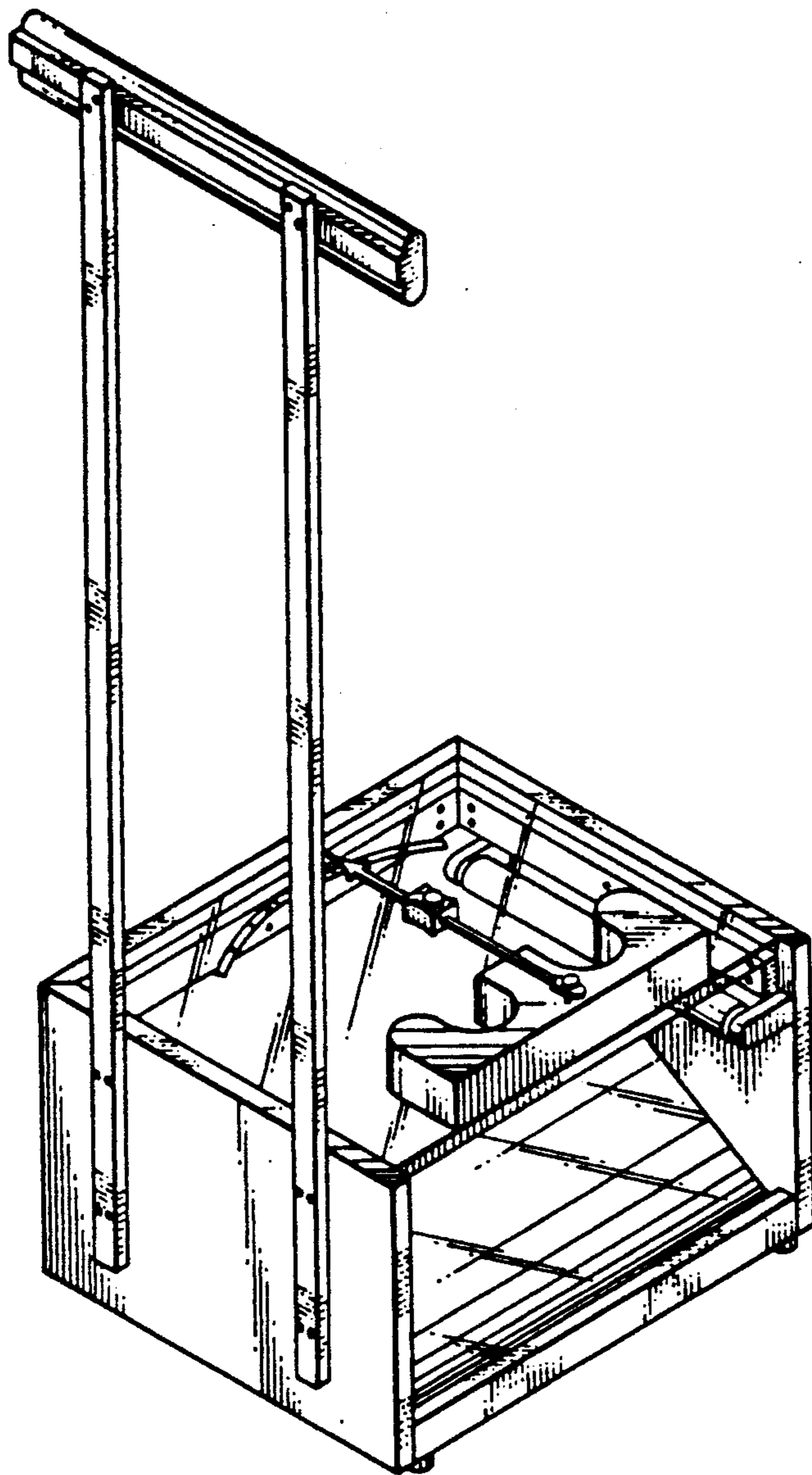


FIG. 7

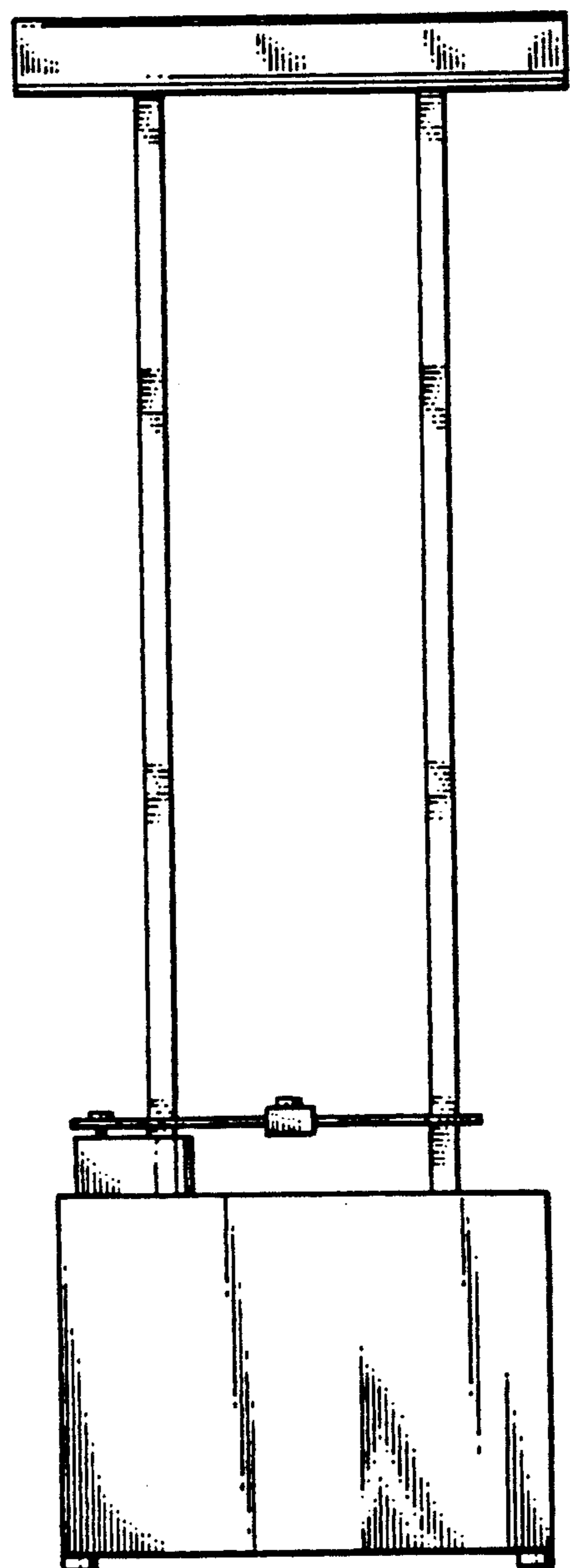


FIG. 8

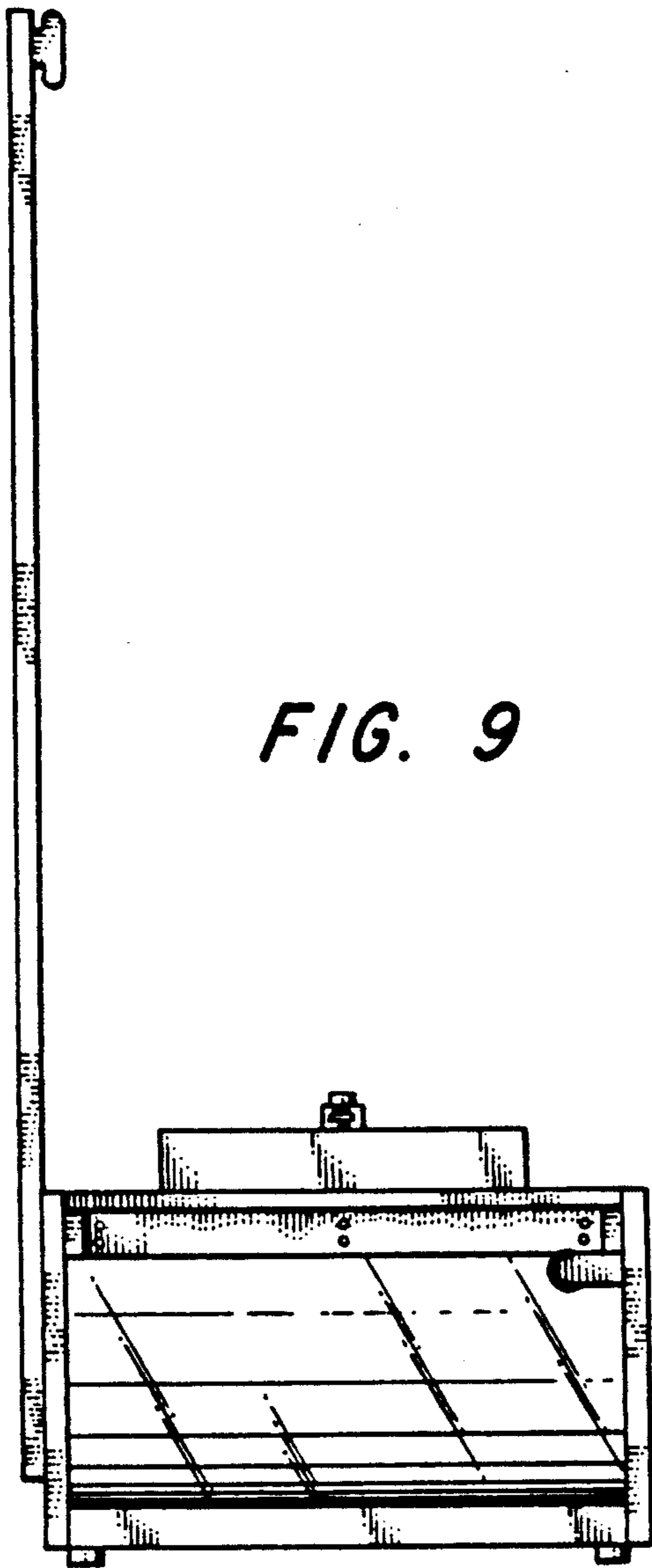


FIG. 9

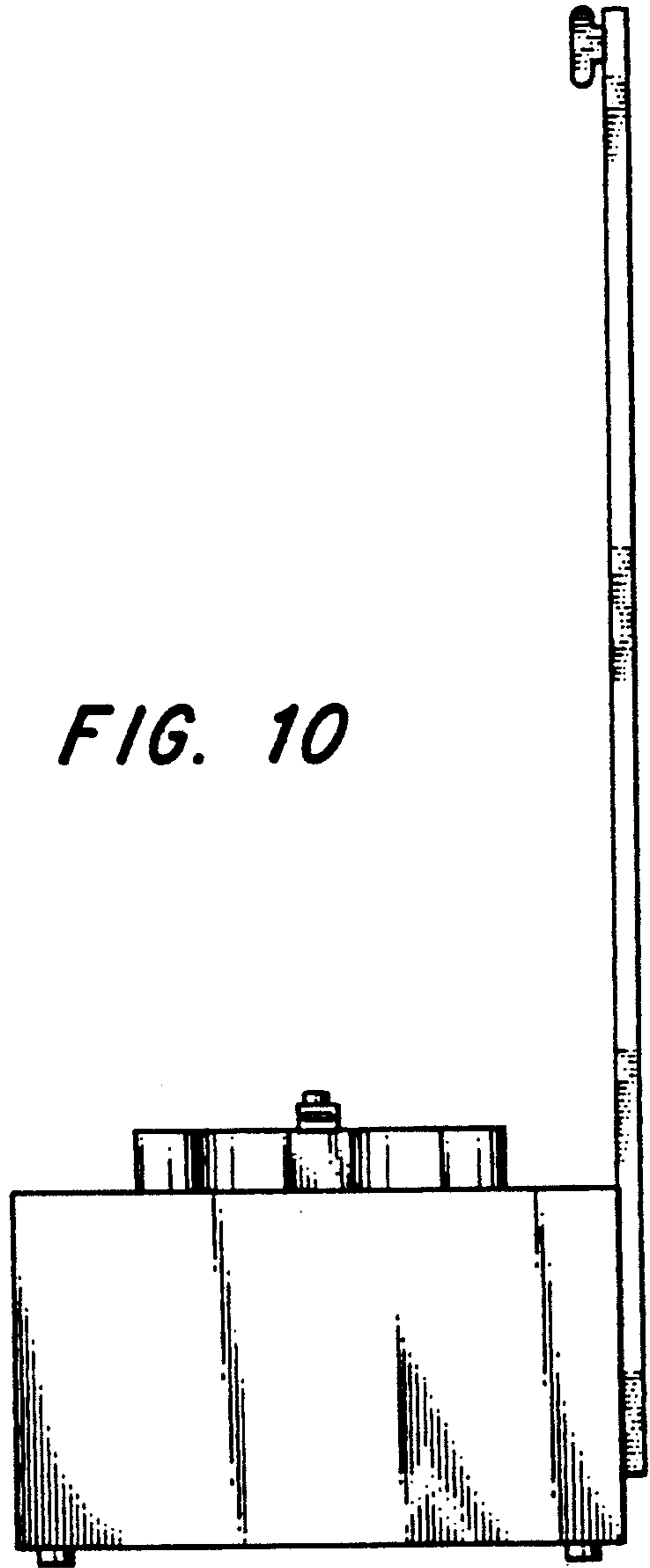


FIG. 10

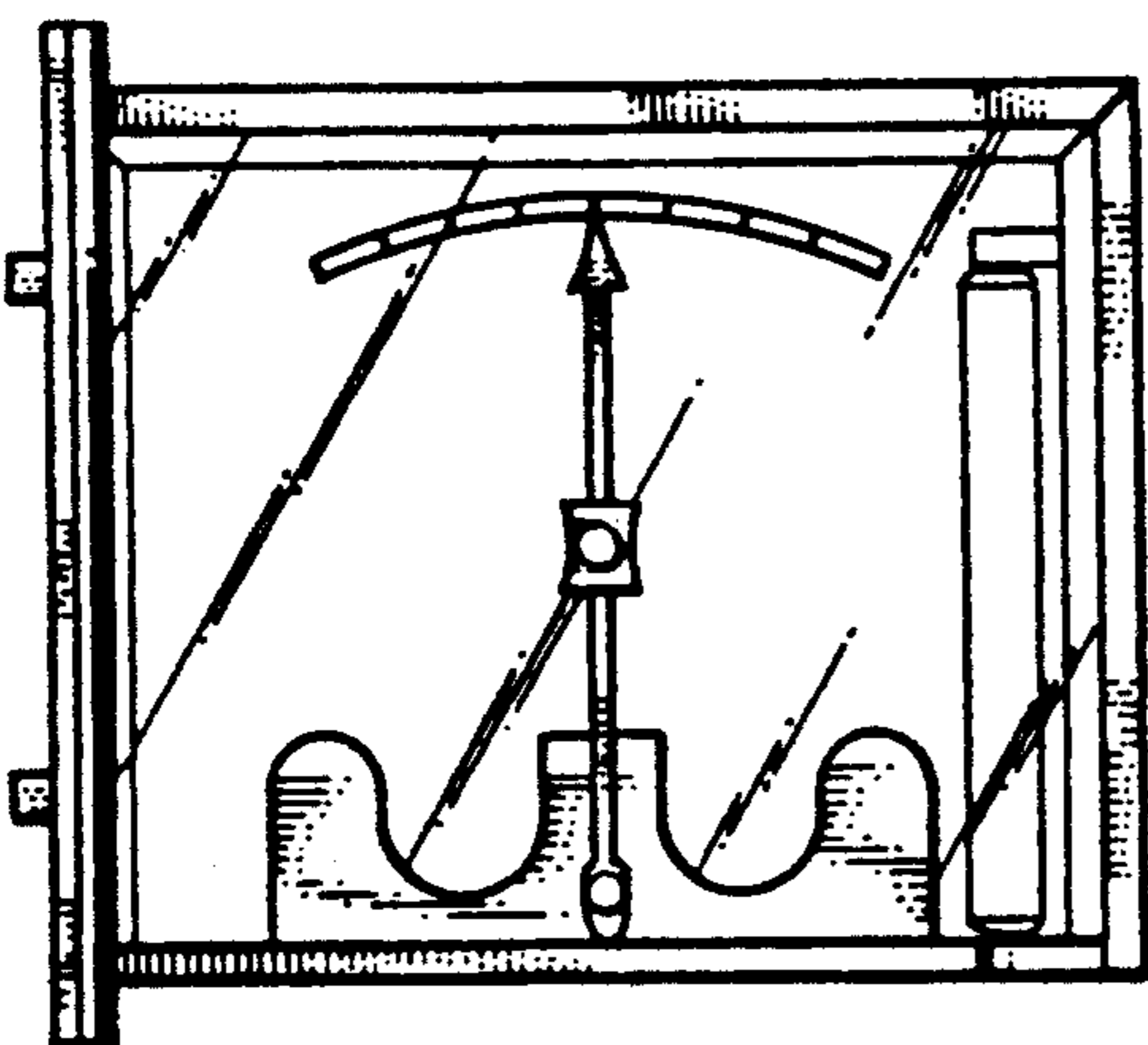


FIG. 11

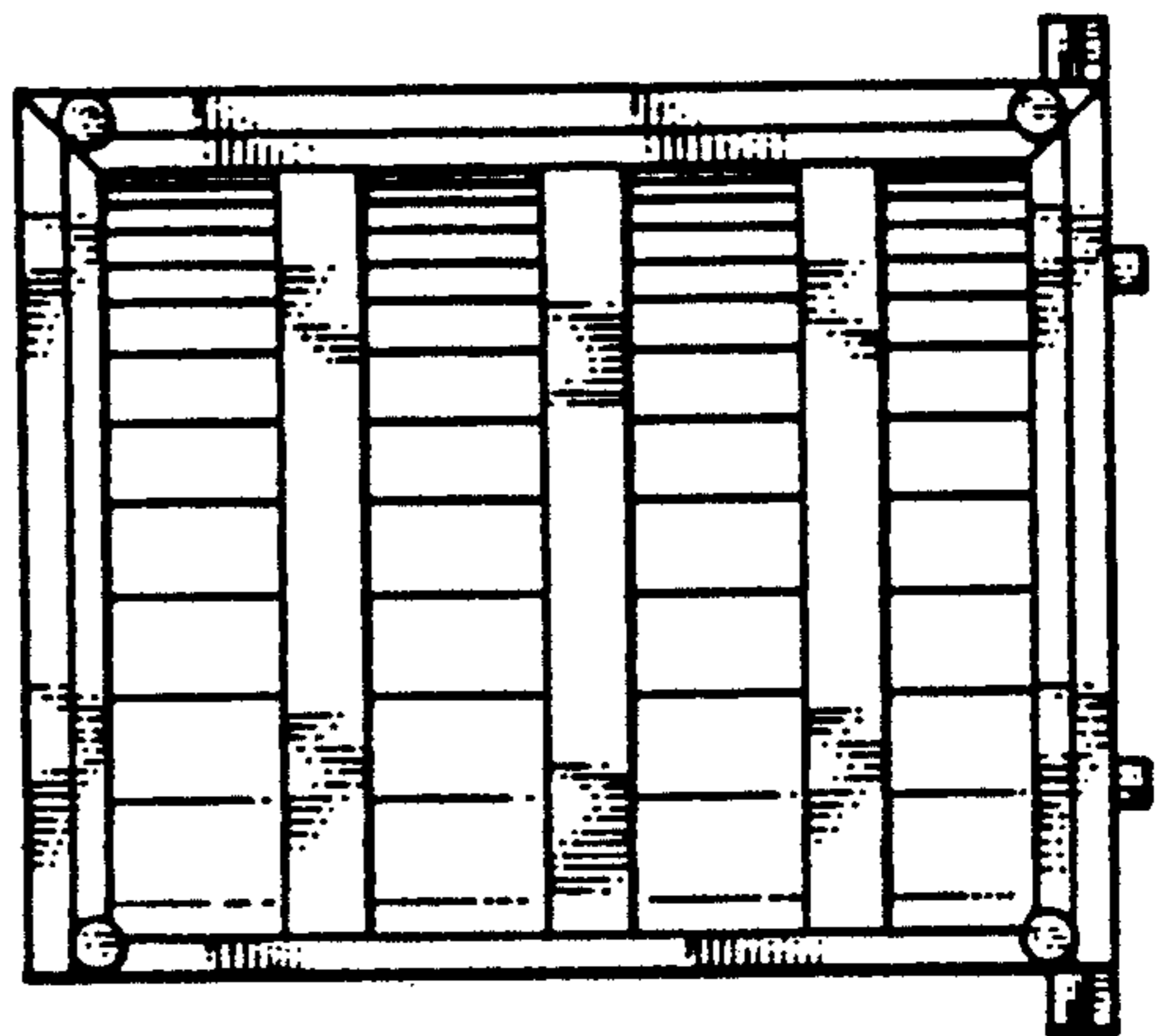


FIG. 12