



US00D335350S

United States Patent [19]

[11] Patent Number: **Des. 335,350**

Wentz

[45] Date of Patent: **** May 4, 1993**

[54] **HOSE FOR AIR-WATER MASSAGER FOR BATHTUBS**

[76] Inventor: **Kenneth W. Wentz, 723 N. 46th Ave., Fayetteville, Ark. 72701**

[**] Term: **14 Years**

[21] Appl. No.: **535,352**

[22] Filed: **Jun. 8, 1990**

[52] U.S. Cl. **D24/201**

[58] Field of Search **D24/201; 128/66; 4/580, 4/581, 582, 583**

3,417,747	12/1968	Beger .	
3,613,720	10/1971	Welch	137/527.8
3,710,786	1/1973	Rico et al.	D24/201 X
4,218,784	8/1980	Richards	4/543
4,245,625	1/1981	Murray	128/66
4,430,762	2/1984	Marshall	4/543
4,962,759	10/1990	Stern et al.	128/66

*Primary Examiner—Stella Reid
Attorney, Agent, or Firm—Robert R. Keegan*

[57] CLAIM

The ornamental design for a hose for air-water massager for bathtubs, as shown.

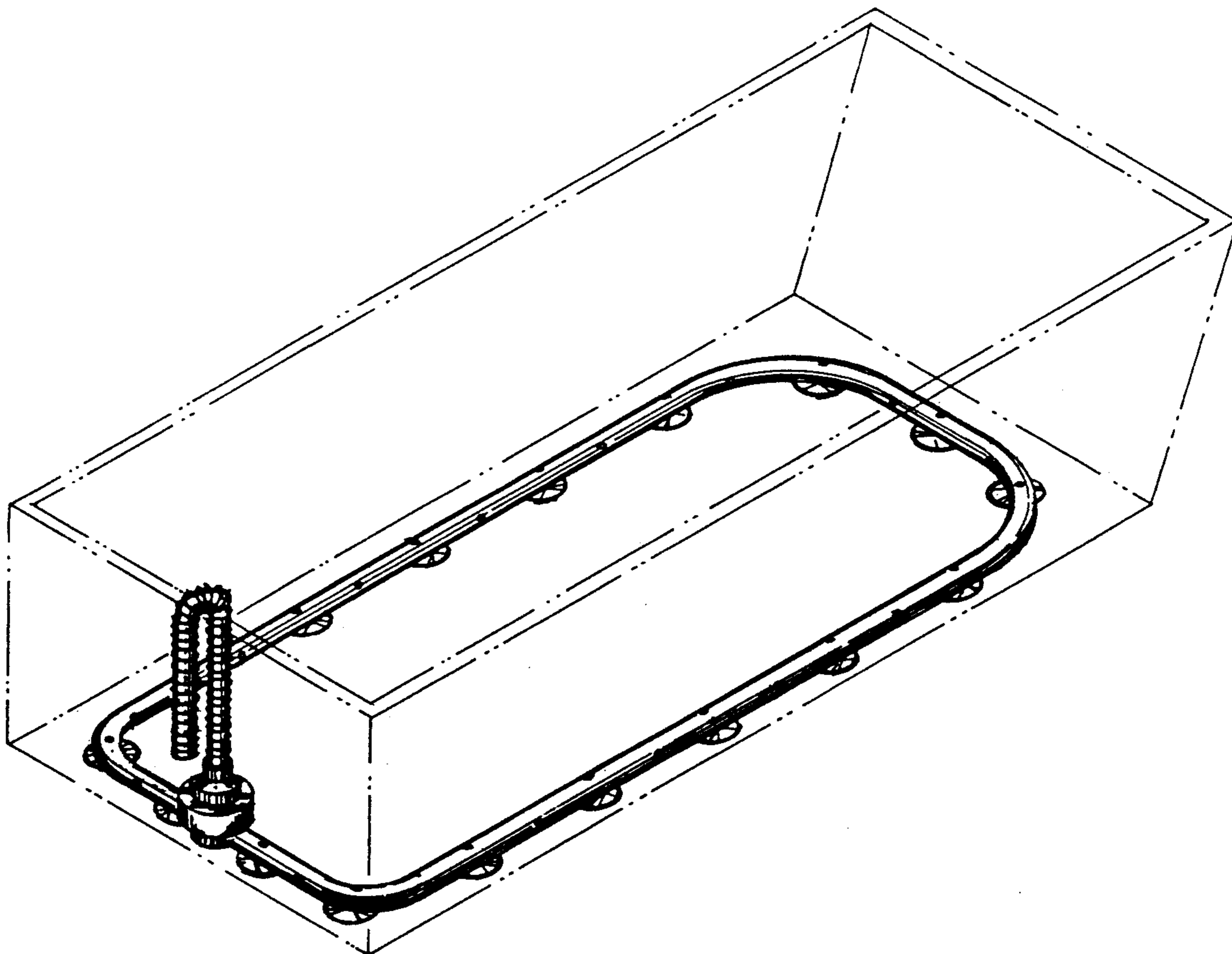
DESCRIPTION

FIG. 1 is a perspective view of a hose for air-water massager for bathtubs, showing my new design; the broken line showing of a bathtub is for illustrative purposes only and forms no part of the claimed design; FIG. 2 is a bottom plan view thereof; FIG. 3 is a right side elevational view thereof; FIG. 4 is a front elevational view thereof; FIG. 5 is a rear elevational view thereof; and, FIG. 6 is an enlarged, fragmentary bottom plan view of the front central portion thereof.

[56] References Cited

U.S. PATENT DOCUMENTS

D. 310,877	9/1990	Reeves et al.	D24/201
73,038	1/1868	Pollard	137/858
80,704	8/1868	Blanding	137/858
89,023	4/1869	Bulkley et al.	137/525.7
2,663,178	12/1953	Schwartz .	
3,065,746	11/1962	Gregory	D24/201 X
3,267,936	8/1966	Brady	D24/201 X
3,367,325	2/1968	O'Keefe .	
3,373,740	3/1968	Riepl	D24/201 X



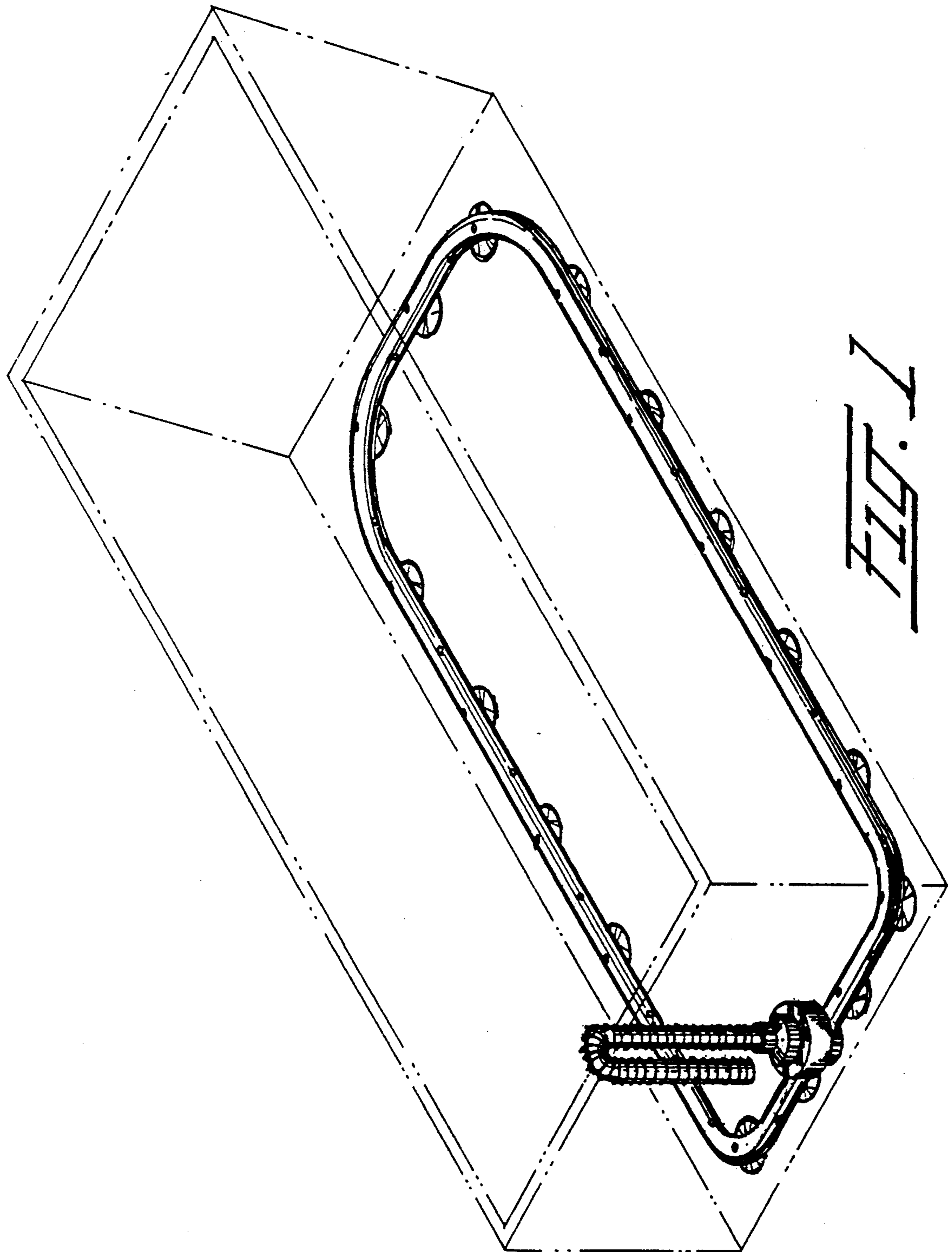


FIG. 1

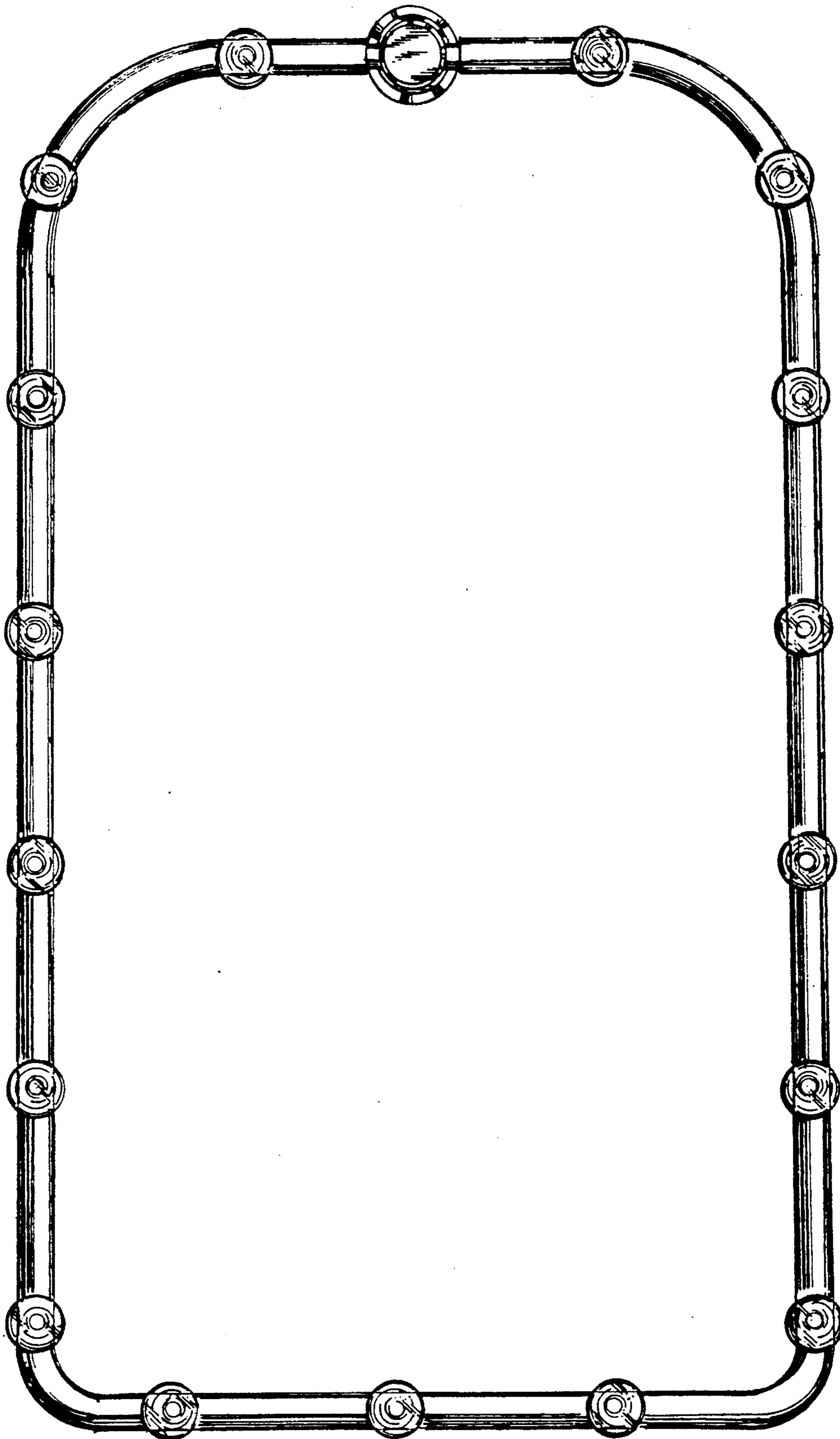


FIG. 2

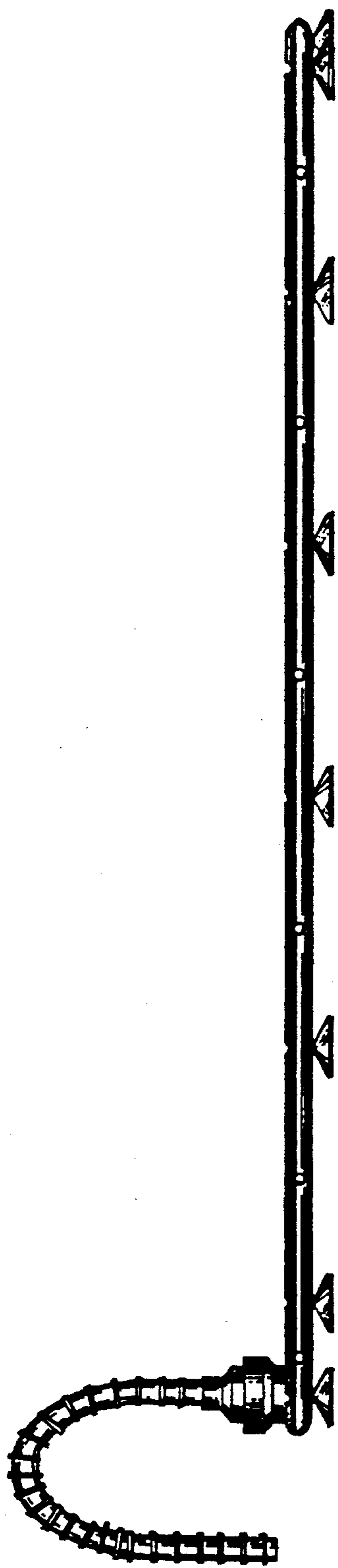


FIG. 3

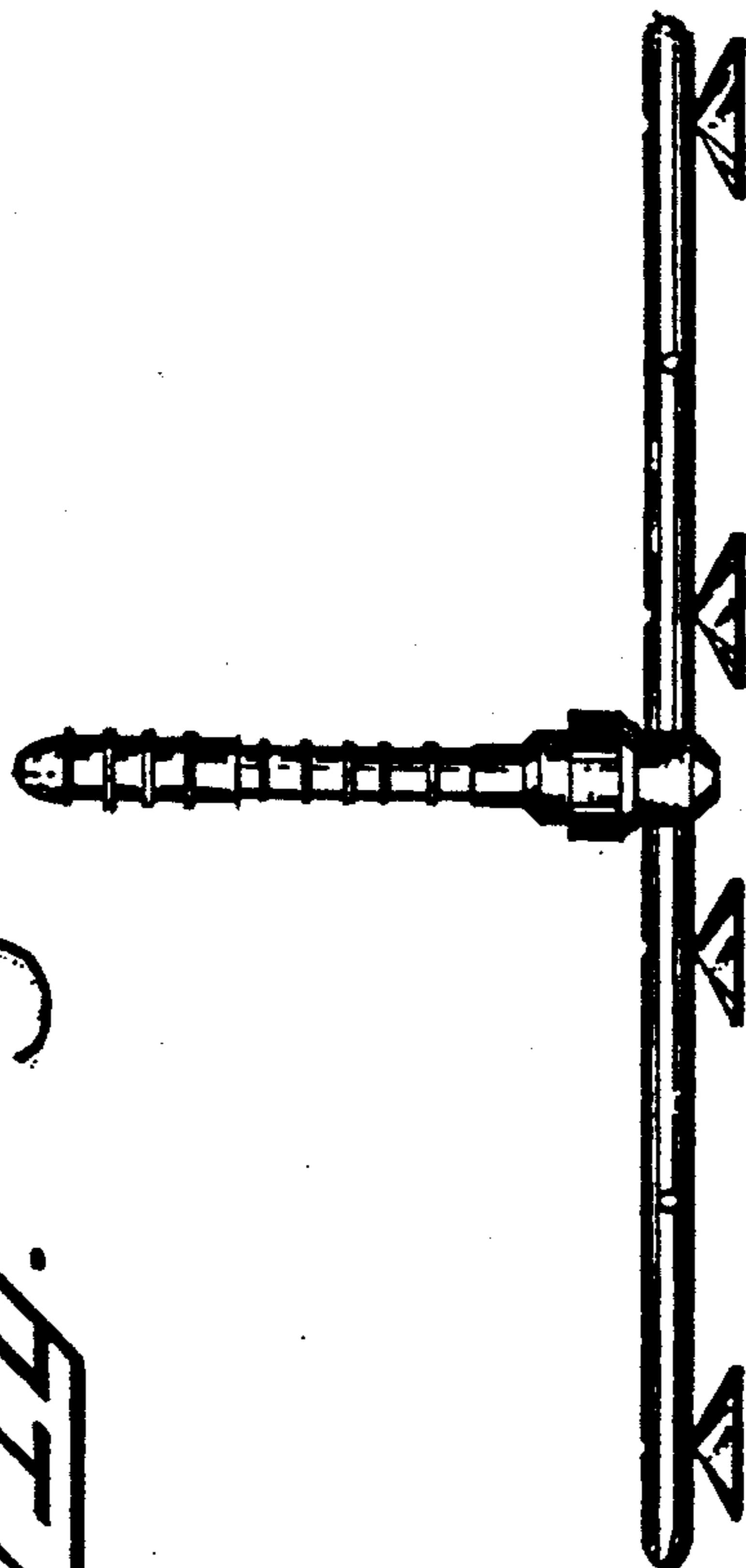


FIG. 4

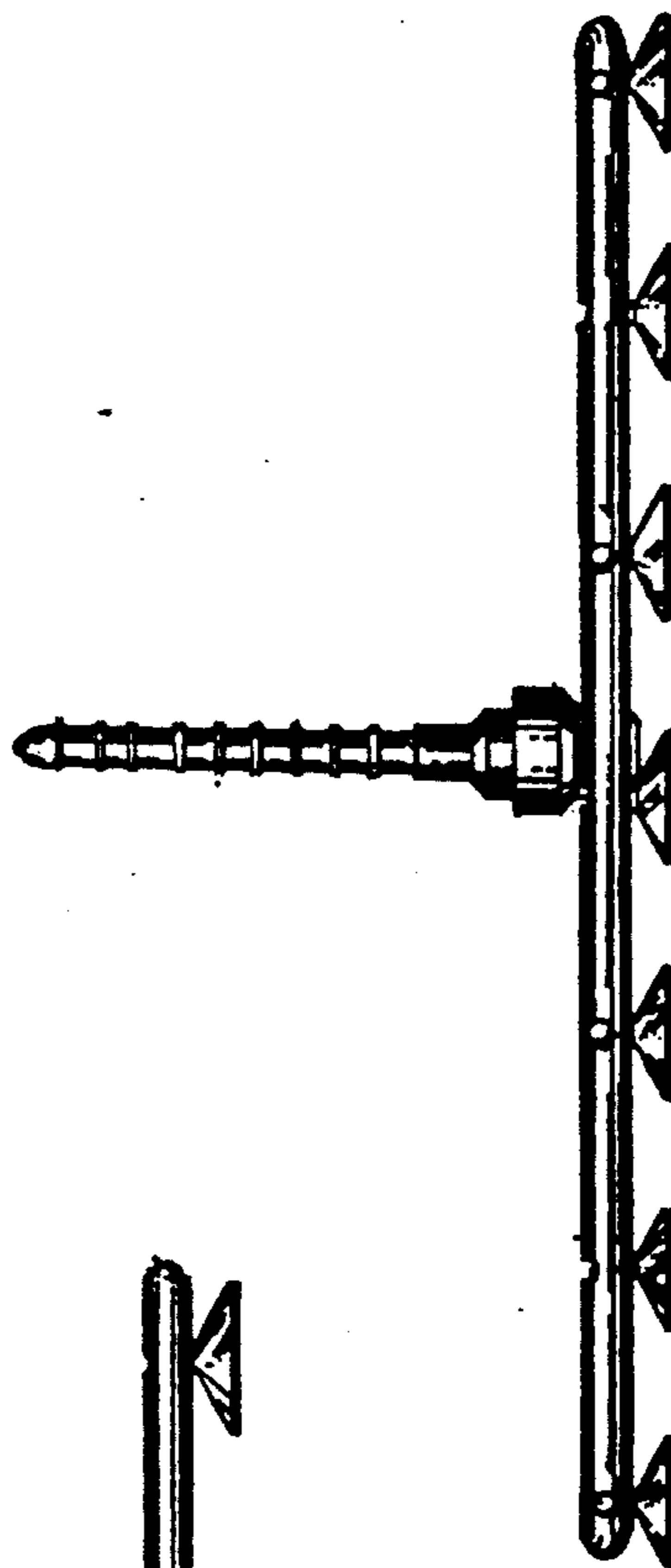


FIG. 5

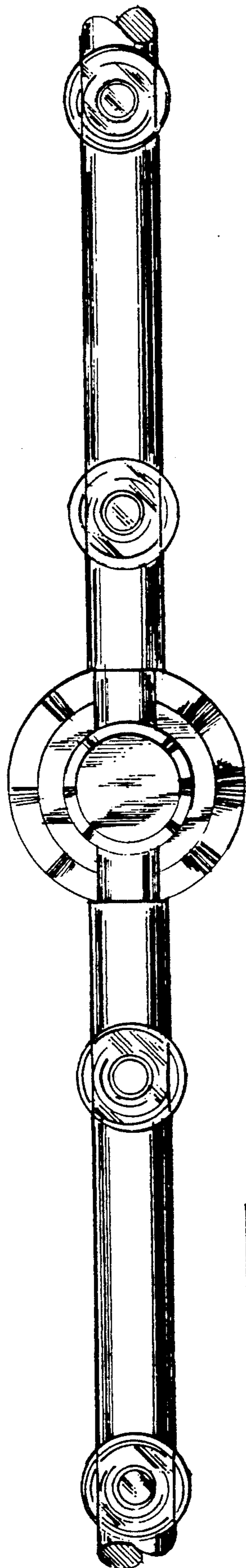


FIG. 6