



US00D335349S

United States Patent [19]

Lyon et al.

[11] Patent Number: Des. 335,349

[45] Date of Patent: ** May 4, 1993

[54] **HAND-HELD HEARING SCREENER**

[75] Inventors: **Paul C. Lyon; Lynn S. Alvord**, both of Sandy; **Evan B. Campbell**, Logan; **Rex D. Bodrero**, Hyde Park; **Ron Carter**, Logan, all of Utah

[73] Assignee: **Handtronix, Inc.**, Sandy, Utah

[**] Term: **14 Years**

[21] Appl. No.: **570,352**

[22] Filed: **Aug. 21, 1990**

Related U.S. Application Data

[63] Continuation-in-part of Ser. No. 431,740, Nov. 2, 1989, abandoned, which is a continuation of Ser. No. 164,183, Mar. 4, 1988, abandoned.

[52] U.S. Cl. **D24/151; D24/173; D24/186**

[58] Field of Search **D24/173, 174, 175, 186; 128/736, 746; 399/428, 433; 73/585, 586, 587; 381/68, 68.1, 68.2, 68.6, 68.7, 69, 69.2**

[56] **References Cited**

U.S. PATENT DOCUMENTS

D. 324,913	3/1992	Chojar	D24/151
3,037,082	5/1962	Tegner et al. .	
3,073,410	1/1963	Gongoll et al. .	
3,105,876	10/1963	Mullin et al.	128/746
3,588,358	6/1971	Rudmose et al. .	
4,014,320	3/1977	Richards	128/746
4,024,499	5/1977	Bosscher .	
4,462,411	7/1984	Rickards .	

4,502,489	3/1985	Alston, Jr. .	
4,515,169	5/1985	Ward .	
4,556,069	12/1985	Dalton, Jr. et al. .	
4,567,881	2/1986	Heller .	
4,601,295	7/1986	Teele .	
4,637,402	1/1987	Adelman .	
4,796,288	1/1989	Busche et al.	379/433

OTHER PUBLICATIONS

Handtronix "Oto-Screen 1" Furture of Hearing Screening Advertising Brochure Jun. 1989.
Alvord, Lynn S., "Toward Miniature Audiometers", *The Hearing Journal*, Jun. 1989, vol. 42 No. 6k pp. 22-23.

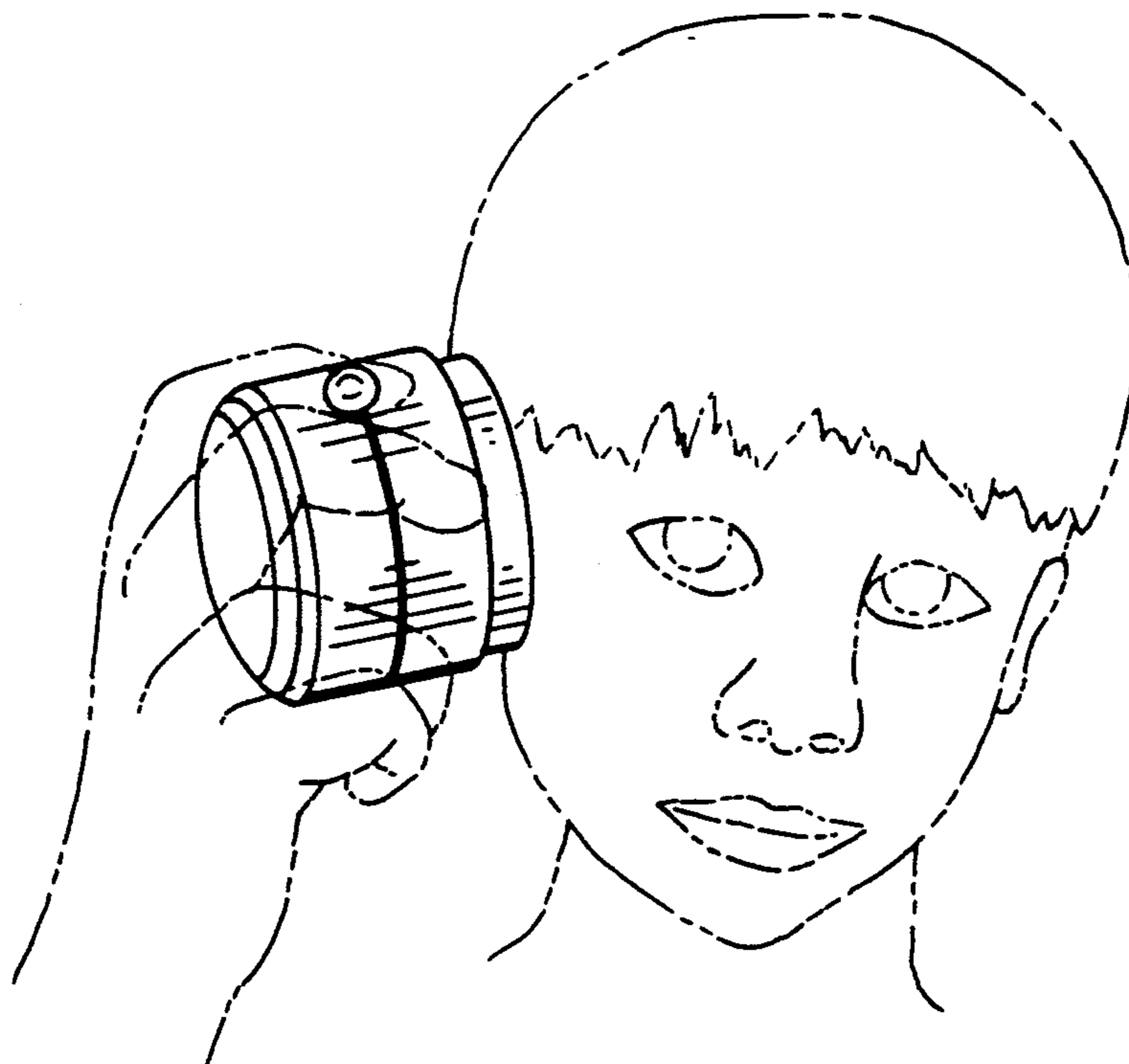
Primary Examiner—Stella Reid
Assistant Examiner—I. Simmons
Attorney, Agent, or Firm—Trask, Britt & Rossa

[57] **CLAIM**

The ornamental design for a hand-held hearing screener, as shown and described.

DESCRIPTION

FIG. 1 is a perspective view of a hand-held hearing screener showing my new design;
FIG. 2 is a perspective view thereof, shown in use;
FIG. 3 is a top plan view thereof;
FIG. 4 is a front elevational view thereof;
FIG. 5 is a left side elevational view thereof;
FIG. 6 is a right side elevational view thereof;
FIG. 7 is a bottom plan view thereof; and,
FIG. 8 is a rear elevational view thereof.
The broken lines shown in FIG. 2 is for illustrative purposes only and forms no part of the claimed design.



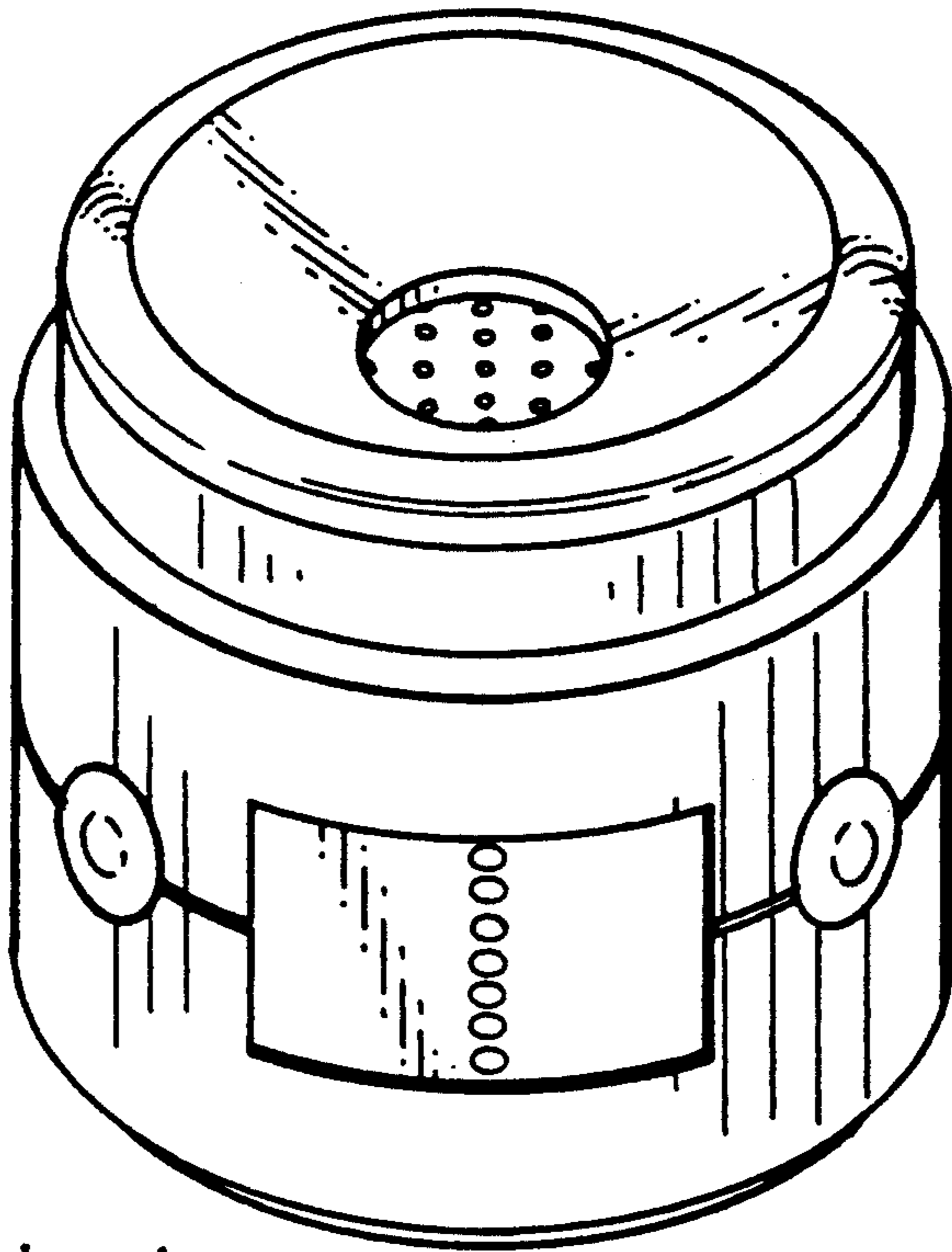


Fig. 1

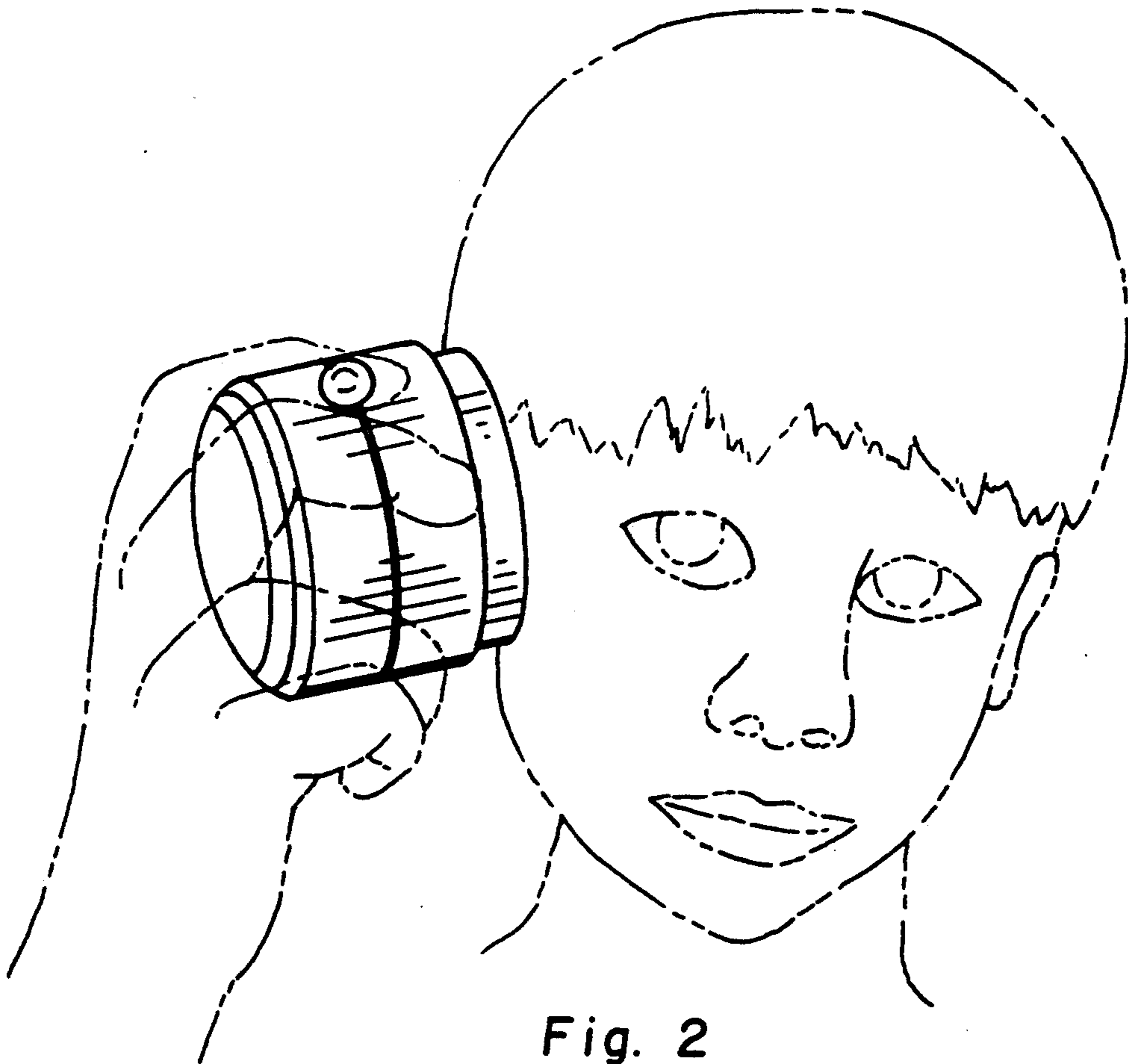


Fig. 2

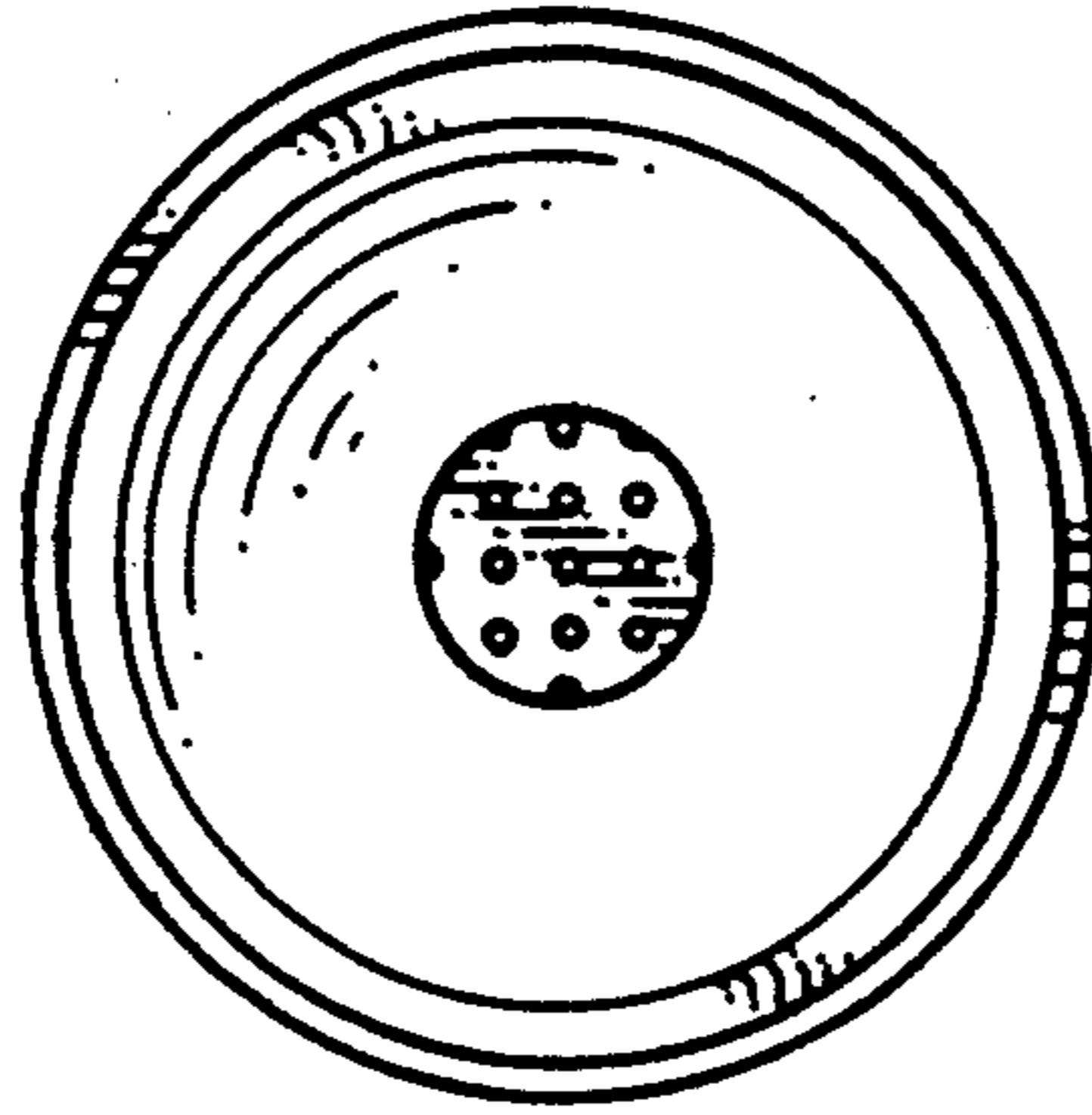


Fig. 3

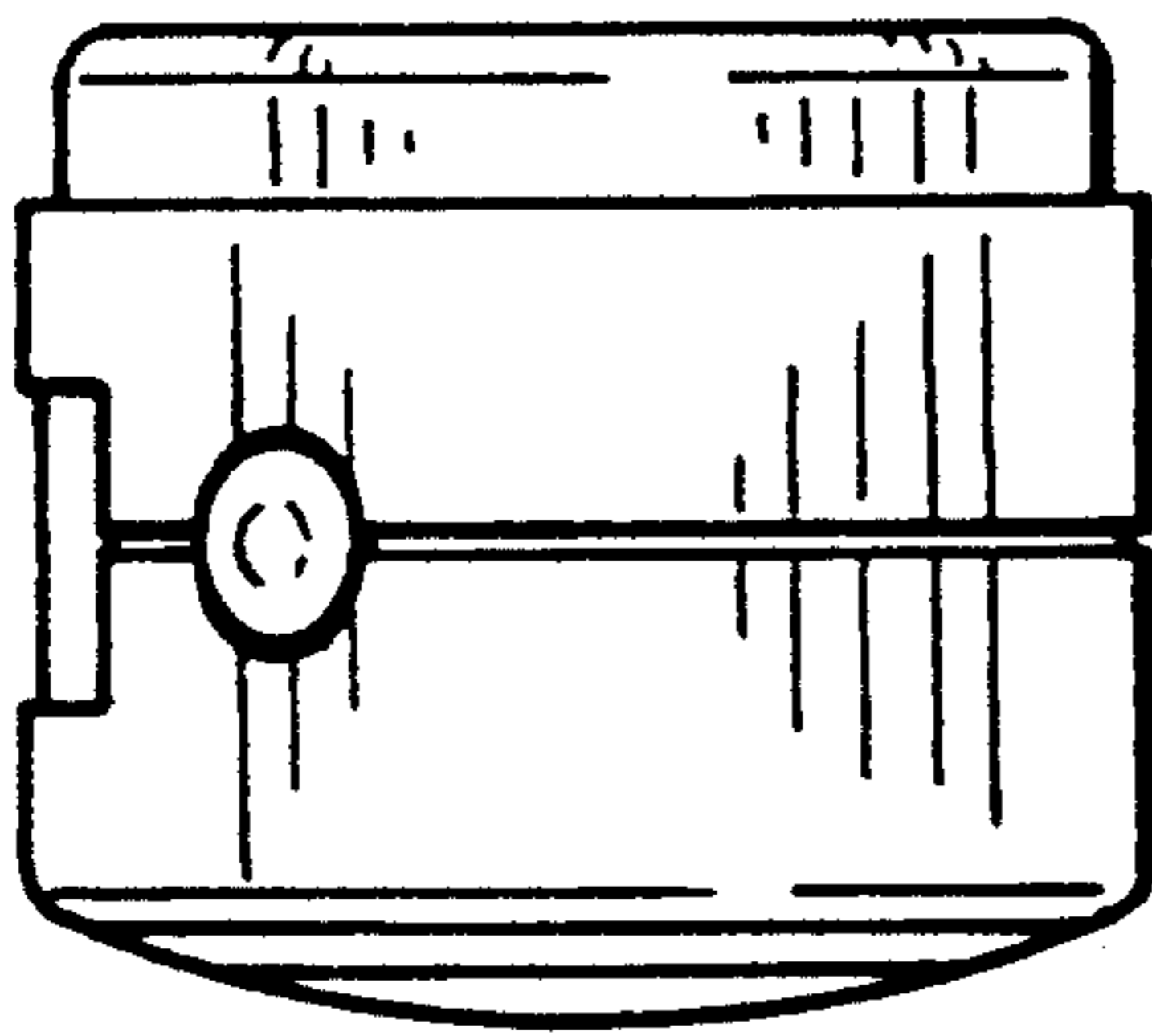


Fig. 5

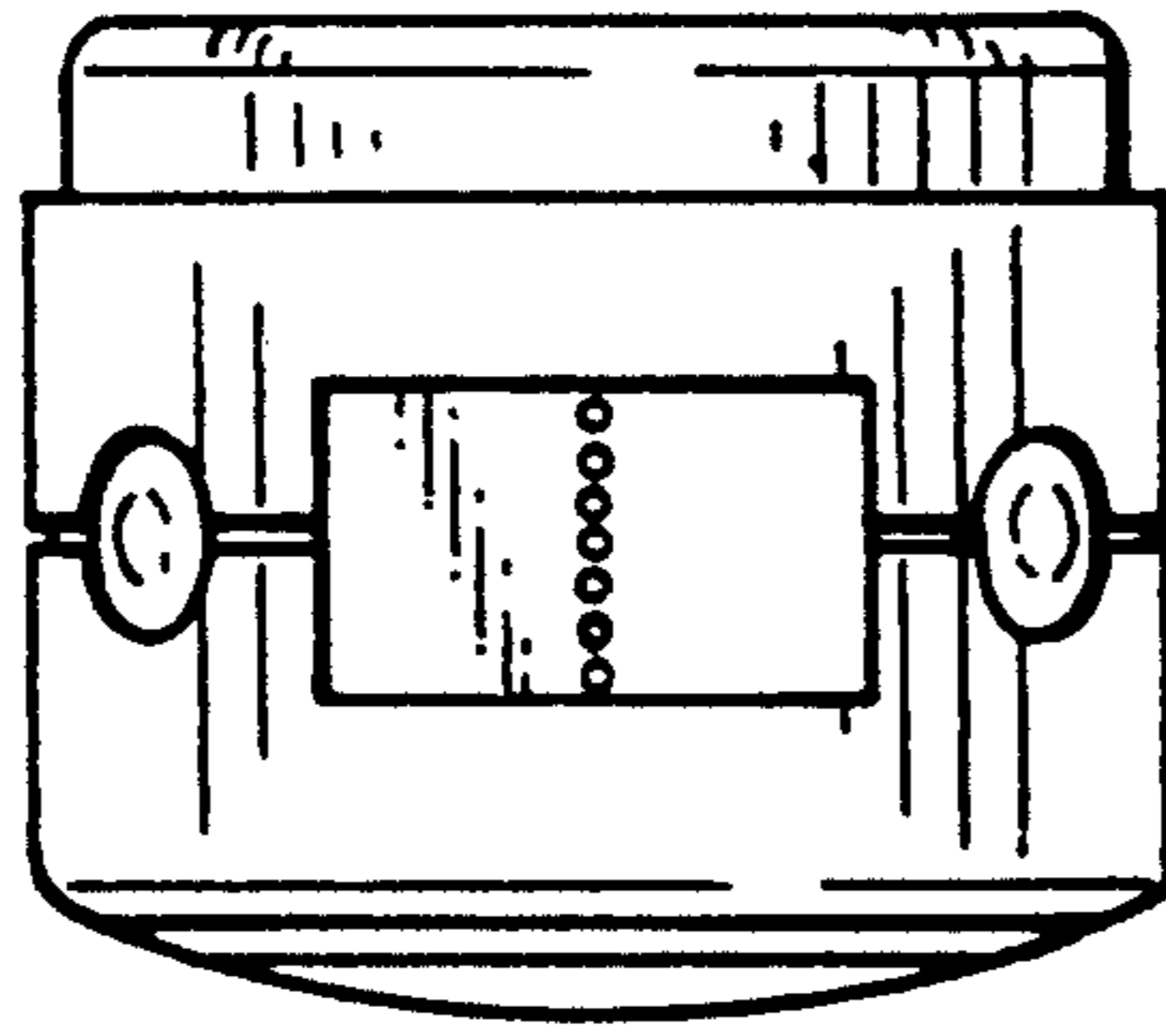


Fig. 4

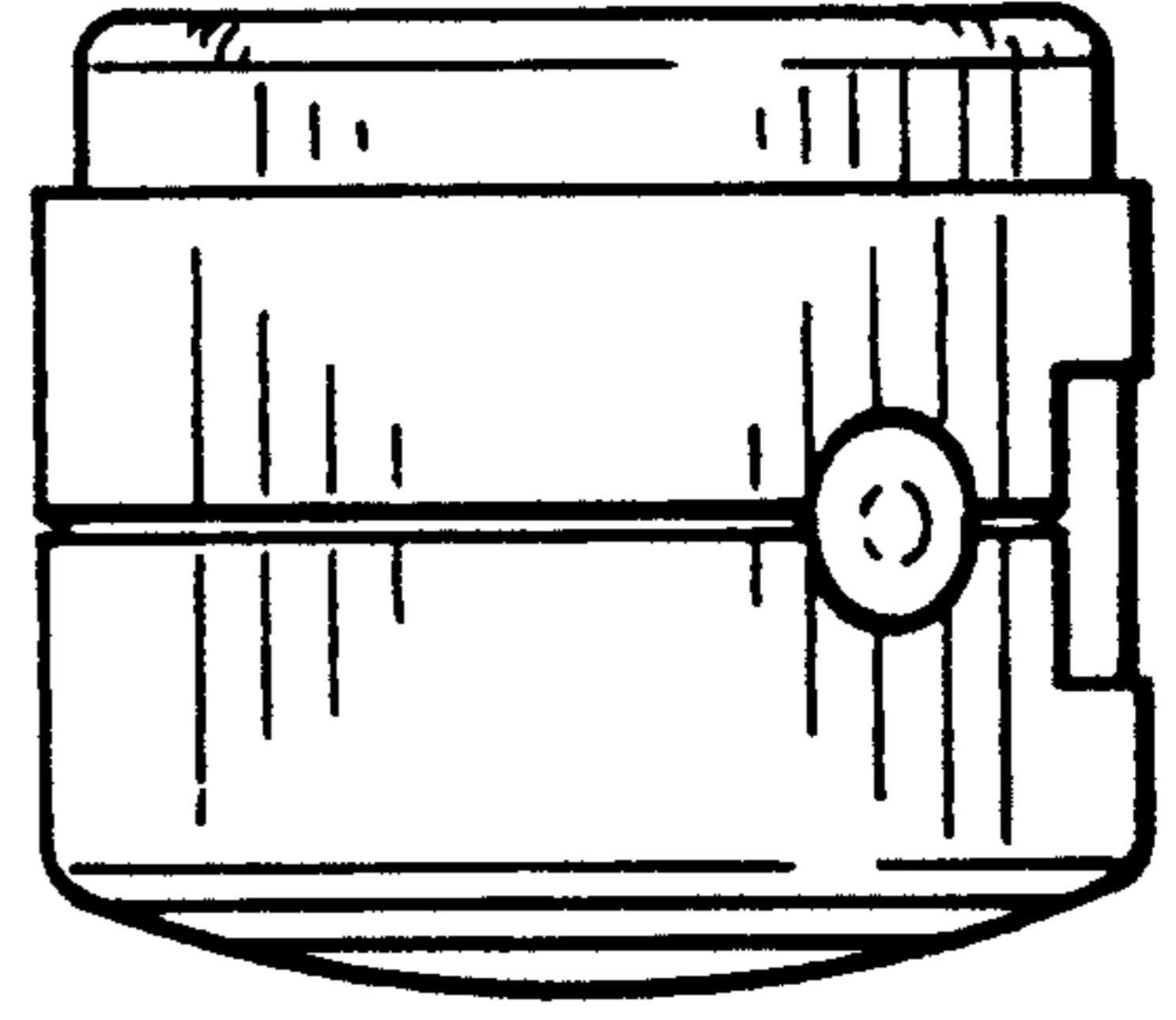


Fig. 6

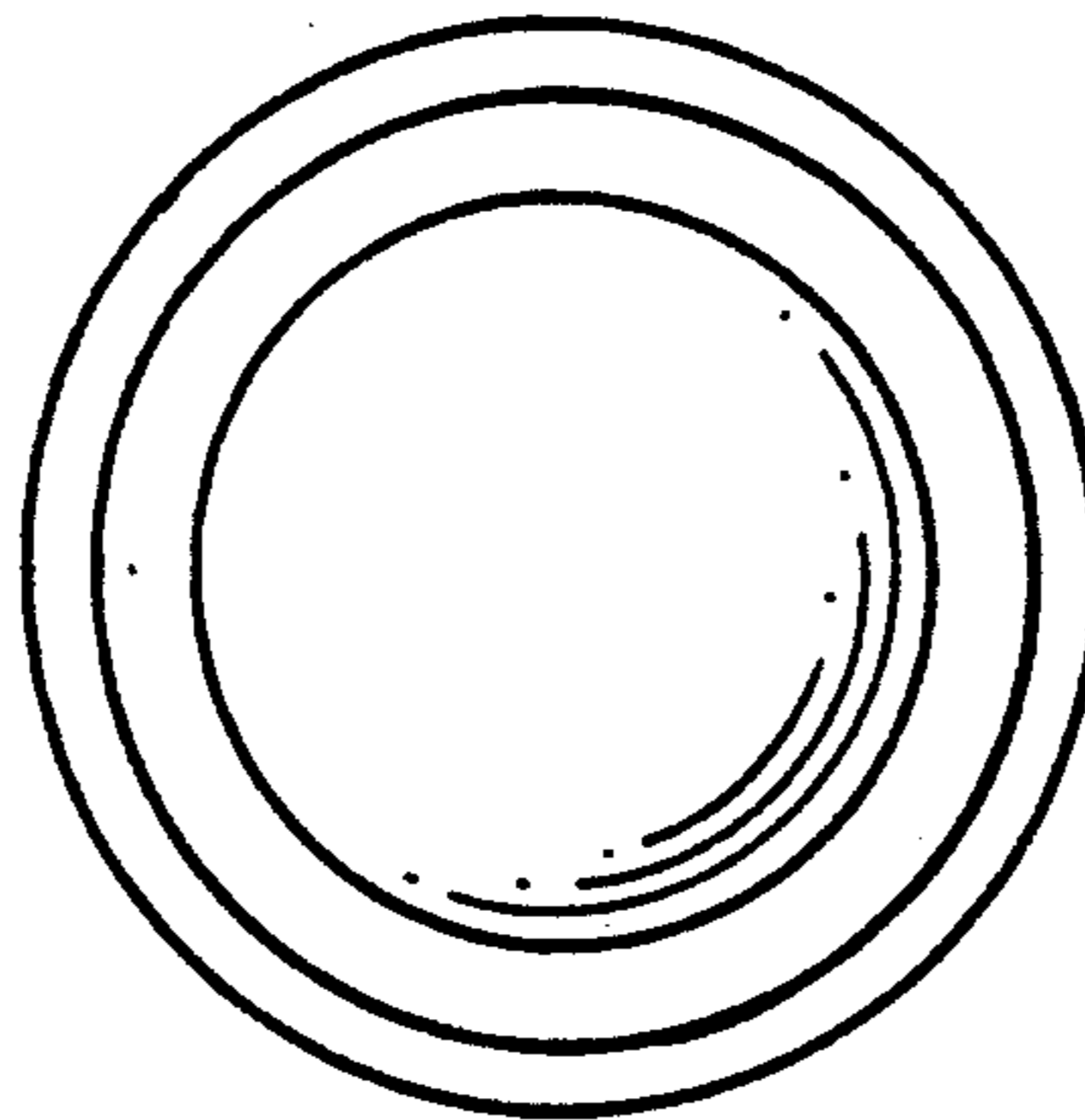


Fig. 7

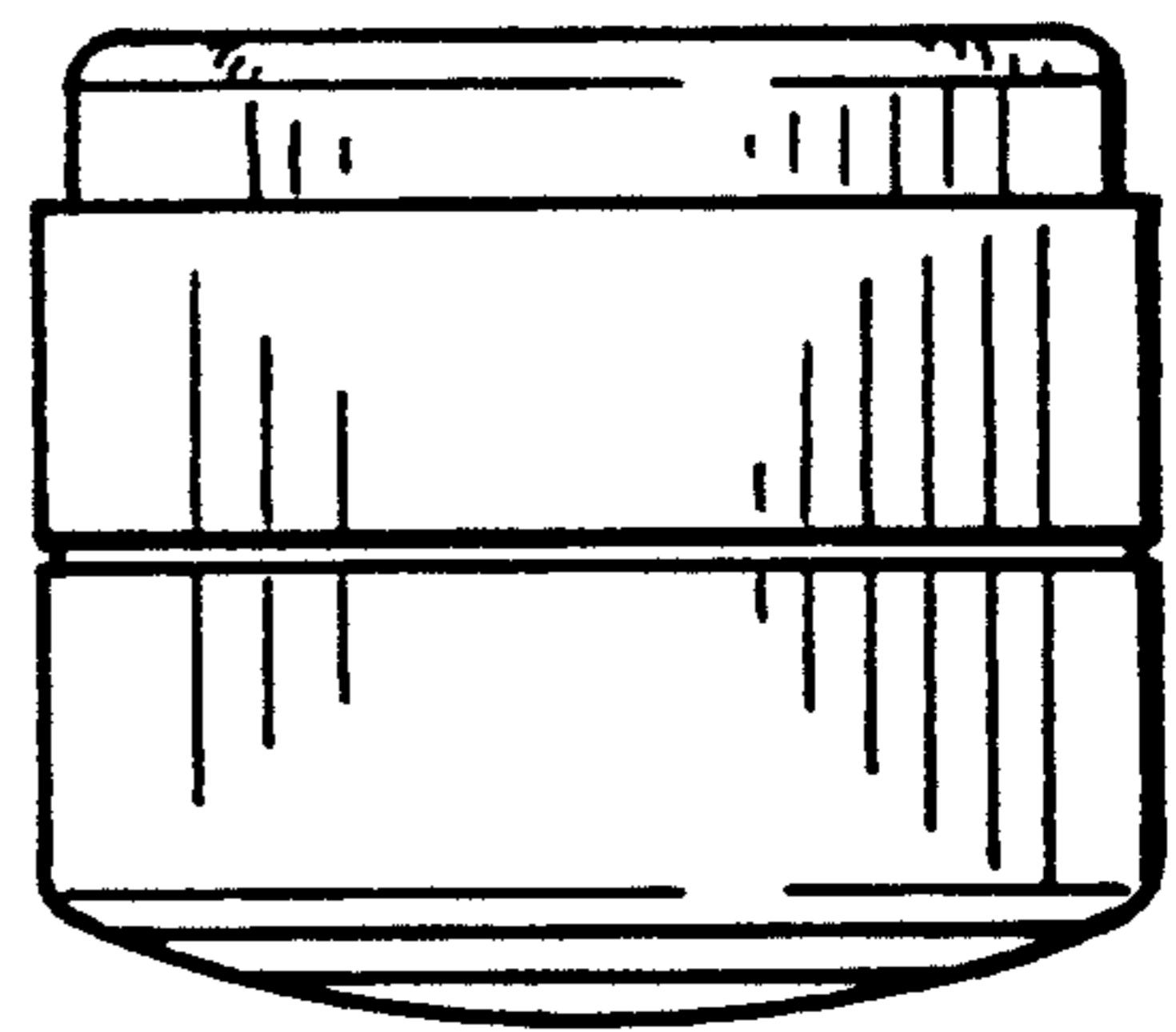


Fig. 8