



US00D335344S

# United States Patent [19]

[11] Patent Number: **Des. 335,344**

Hastings

[45] Date of Patent: **\*\* May 4, 1993**

[54] **COMBINED HYPODERMIC NEEDLE GUIDE AND GUARD**

4,392,859	7/1983	Dent	604/198
4,631,057	12/1986	Mitchell	604/198
4,643,200	2/1987	Jennings	604/198 X
4,666,435	5/1987	Braginetz	604/198

[76] Inventor: **James A. Hastings, 571 Bloomfield Ave., Montclair, N.J. 07042**

*Primary Examiner*—Louis S. Zarfes  
*Attorney, Agent, or Firm*—Terry M. Gernstein

[\*\*] Term: **14 Years**

[21] Appl. No.: **591,862**

[57] **CLAIM**

[22] Filed: **Oct. 2, 1990**

The ornamental design for a combined hypodermic needle guide and guard, as shown and described.

[52] U.S. Cl. .... **D24/114; D24/140**

[58] Field of Search ..... **D24/114, 141, 127-130, D24/140; 604/187, 192, 197-199, 214, 218, 263**

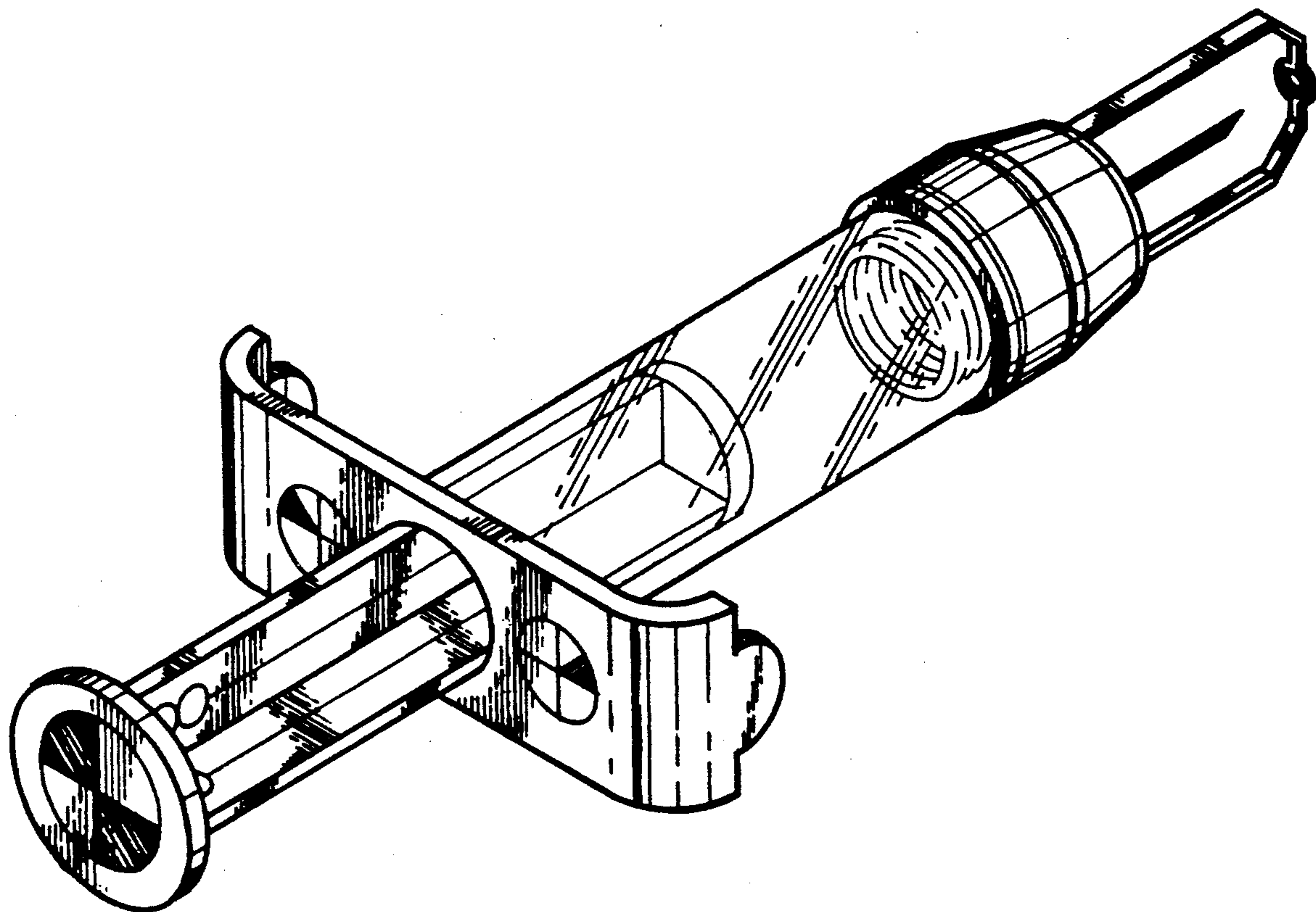
**DESCRIPTION**

[56] **References Cited**

**U.S. PATENT DOCUMENTS**

D. 65,900	11/1924	Cook	D24/114
D. 167,127	6/1952	Willis	D24/114
D. 323,391	1/1992	Payne	D24/130
3,134,380	5/1964	Armao	.

FIG. 1 is a perspective view of a combined hypodermic needle guide and guard showing my new design; FIG. 2 is a top plan view thereof, the bottom view being a mirror image of the top view shown in FIG. 2; FIG. 3 is a side elevational view thereof, the side opposite being a mirror image of the side shown in FIG. 3; FIG. 4 is a front end elevational view thereof; and, FIG. 5 is a rear end elevational view thereof.



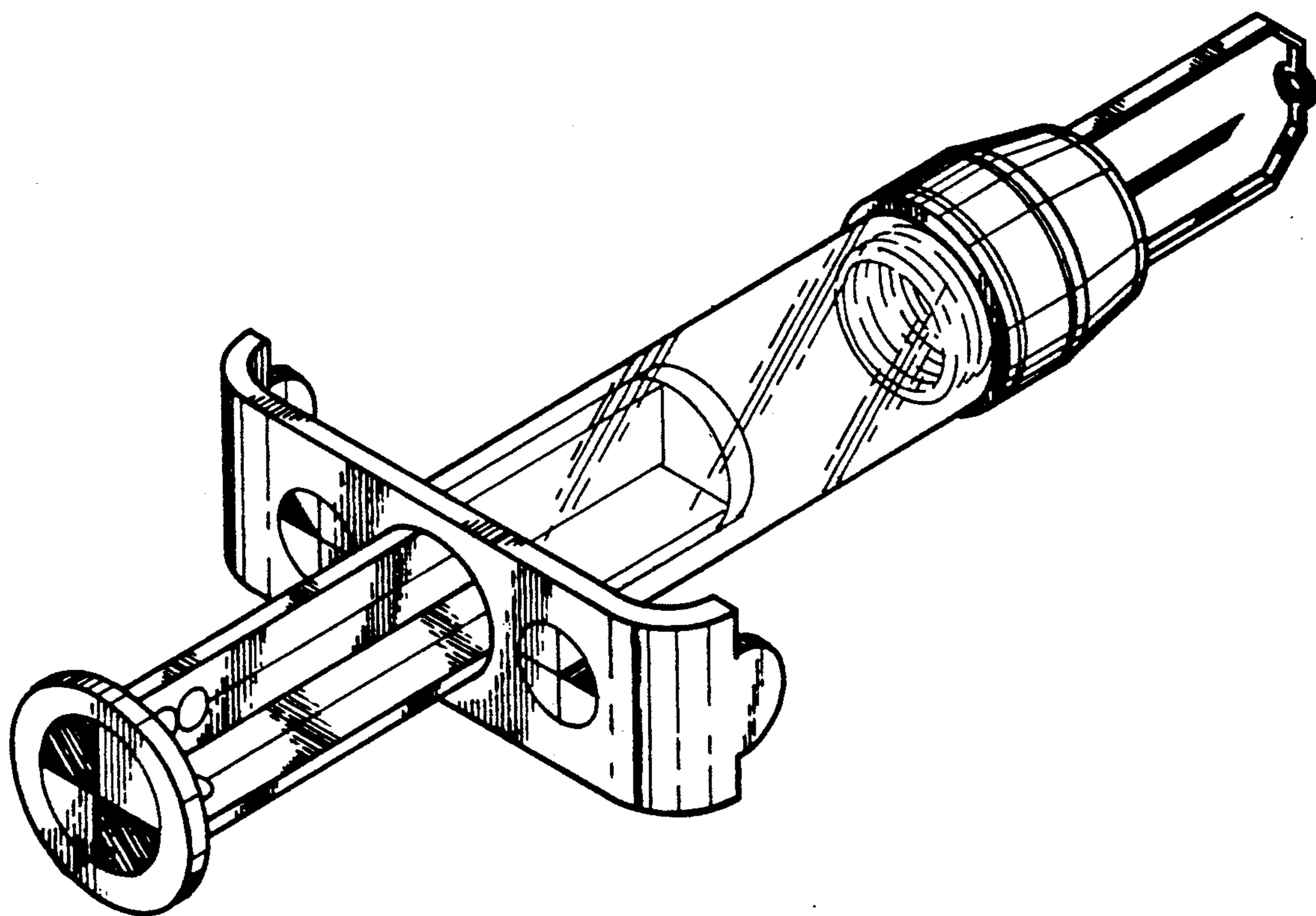


FIG.1

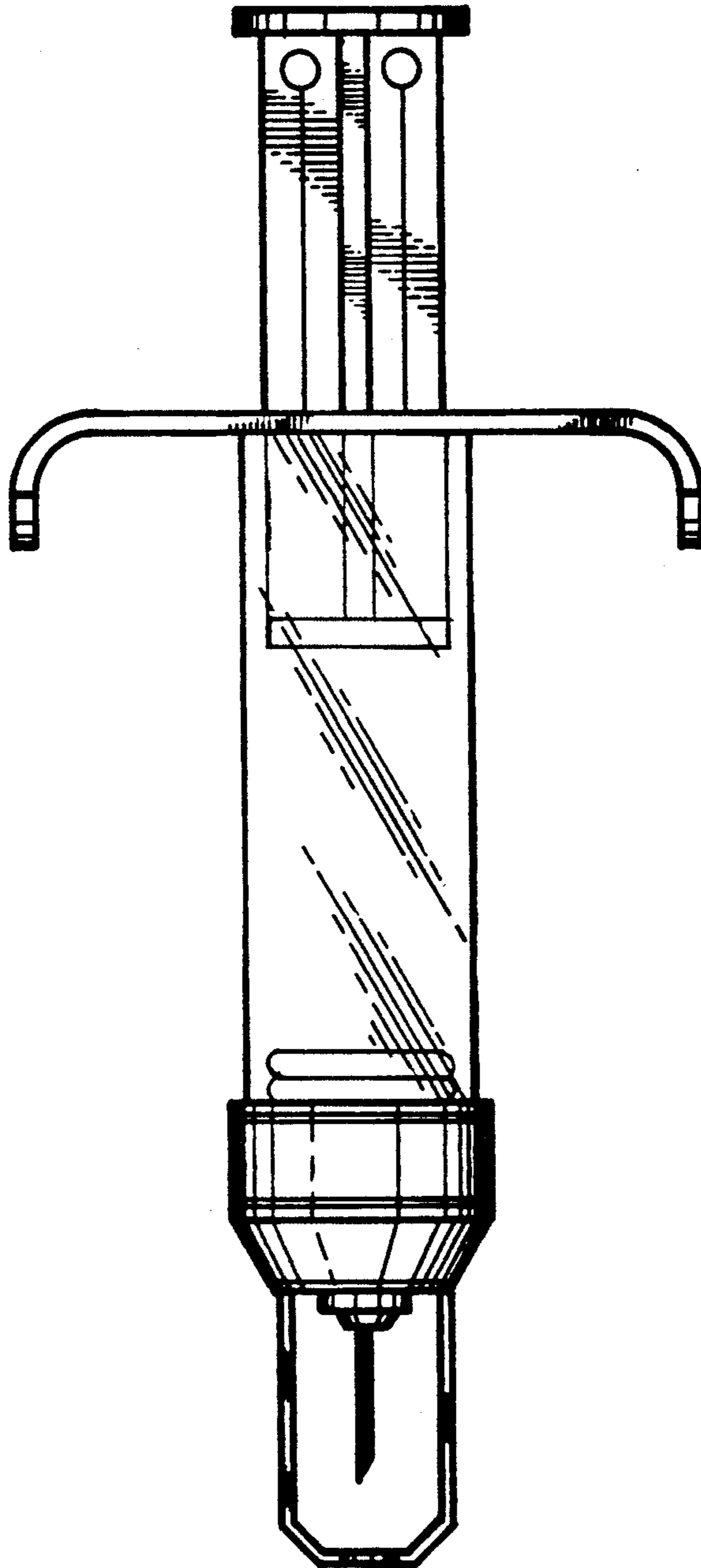


FIG. 2

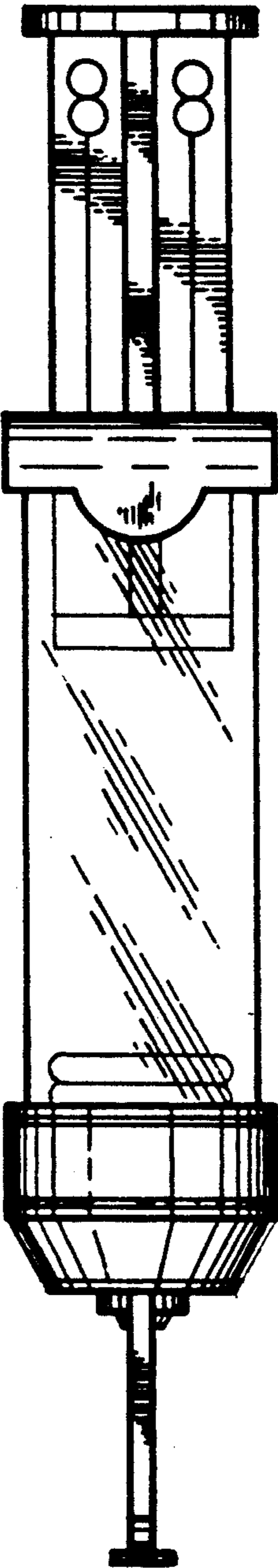


FIG. 3

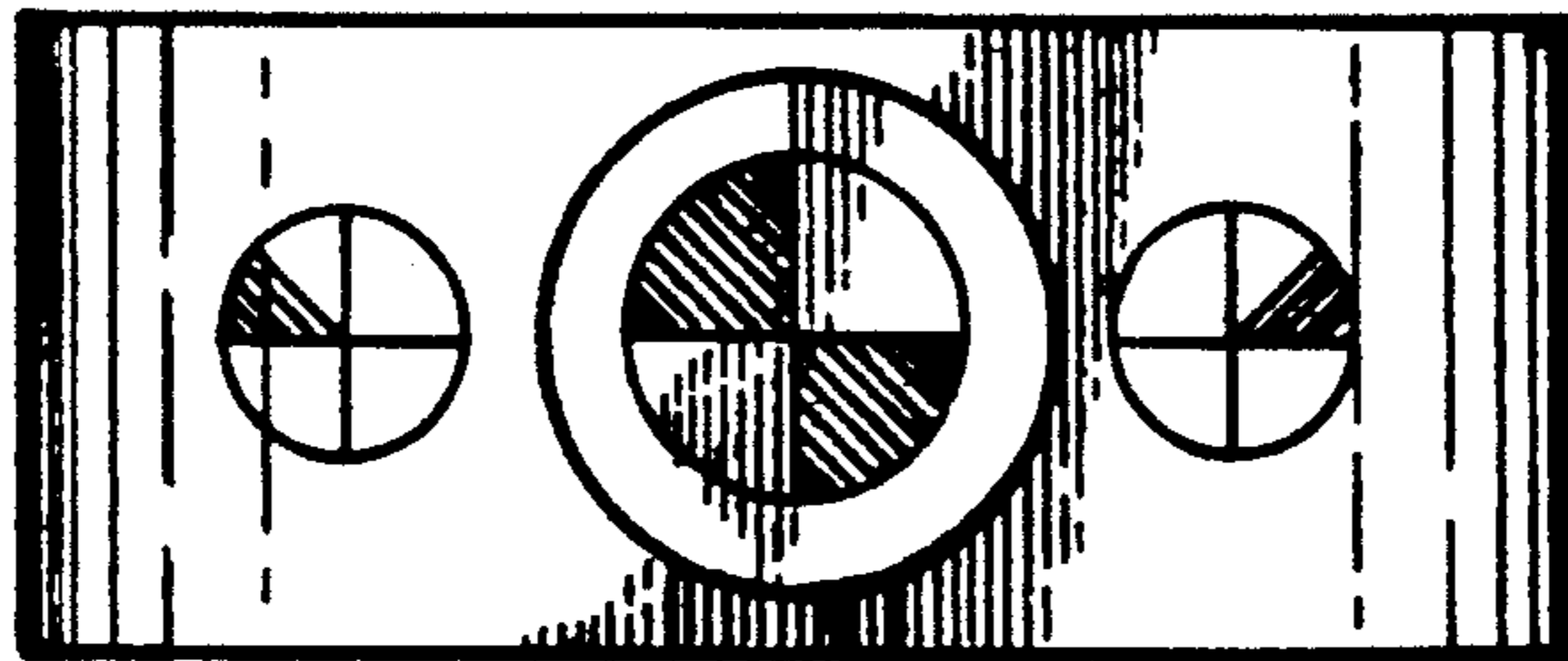


FIG. 4

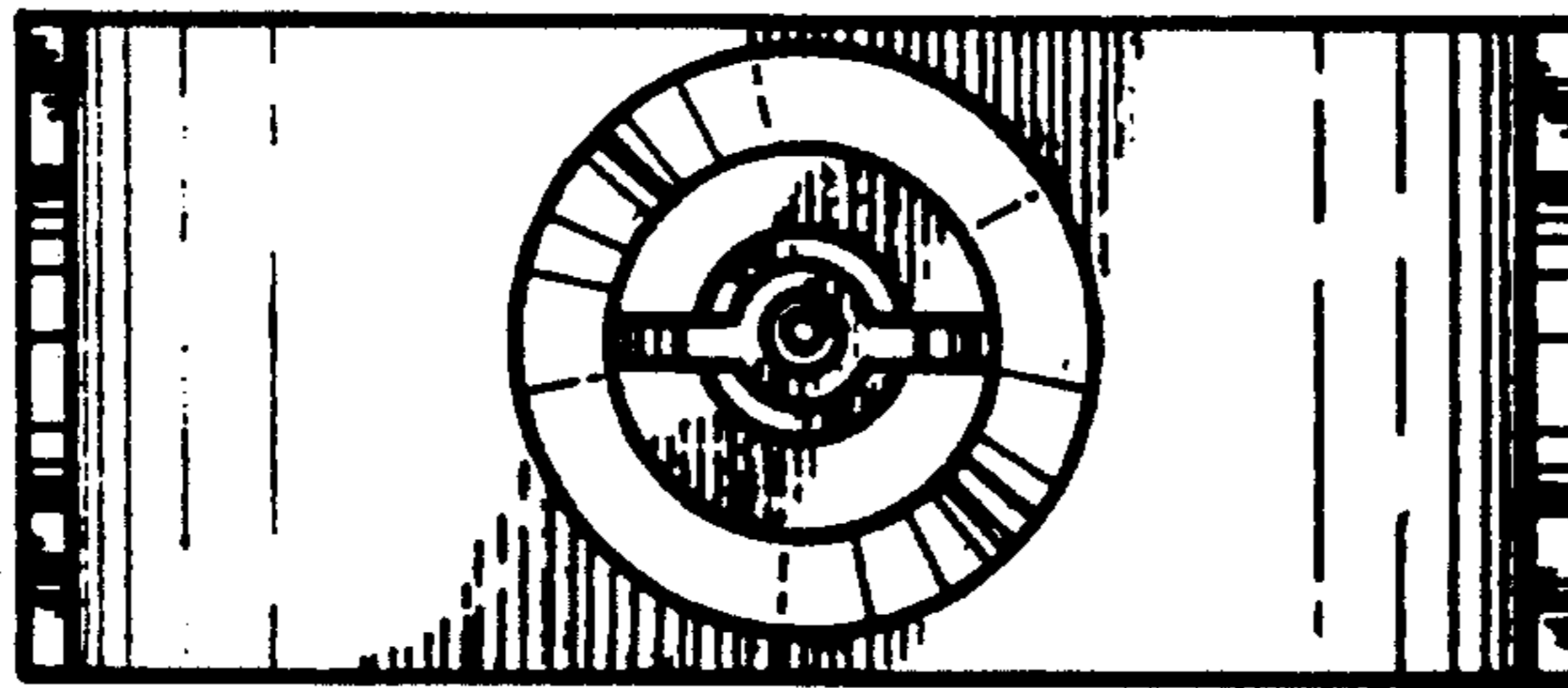


FIG. 5