



US00D335343S

United States Patent [19]

[11] Patent Number: **Des. 335,343**

Jones et al.

[45] Date of Patent: **** May 4, 1993**

[54] **MOUTHPIECE FOR A SPIROMETER**

[76] Inventors: **William C. Jones; William C. Jones, Jr.**, both of 200 Windsor Dr., Oak Brook, Ill. 60521

[**] Term: **14 Years**

[21] Appl. No.: **570,715**

[22] Filed: **Aug. 22, 1990**

| | | | |
|-----------|---------|-------------------|-----------|
| 3,771,512 | 11/1973 | Jones et al. | 128/2.08 |
| 3,922,525 | 11/1975 | Kozak et al. | 128/725 X |
| 3,977,394 | 8/1976 | Jones et al. | 128/2.07 |
| 3,993,050 | 11/1976 | Robinson et al. | 128/2.08 |
| 4,250,890 | 2/1981 | Jones et al. | 128/728 |
| 4,259,967 | 4/1981 | Vooren et al. | 128/720 |
| 4,296,758 | 12/1981 | Garbe | 128/728 |
| 4,307,729 | 12/1981 | Hart et al. | 128/727 |
| 4,333,476 | 6/1982 | Downing, Jr. | 128/720 |
| 4,558,710 | 12/1985 | Eichler | 128/720 |
| 4,706,685 | 11/1987 | Jones, Jr. et al. | 128/725 |
| 4,841,982 | 6/1989 | Nikiforov et al. | 128/716 |
| 4,852,583 | 8/1989 | Walker | 128/716 |

Related U.S. Application Data

[63] Continuation-in-part of Ser. No. 369,744, Jun. 22, 1989.

[52] U.S. Cl. **D24/110**

[58] Field of Search **D24/110, 169; 128/726, 128/725; 436/900; 422/84**

Primary Examiner—Stella Reid
Attorney, Agent, or Firm—Tilton, Fallon, Lungmus & Chestnut

[56] **References Cited**

U.S. PATENT DOCUMENTS

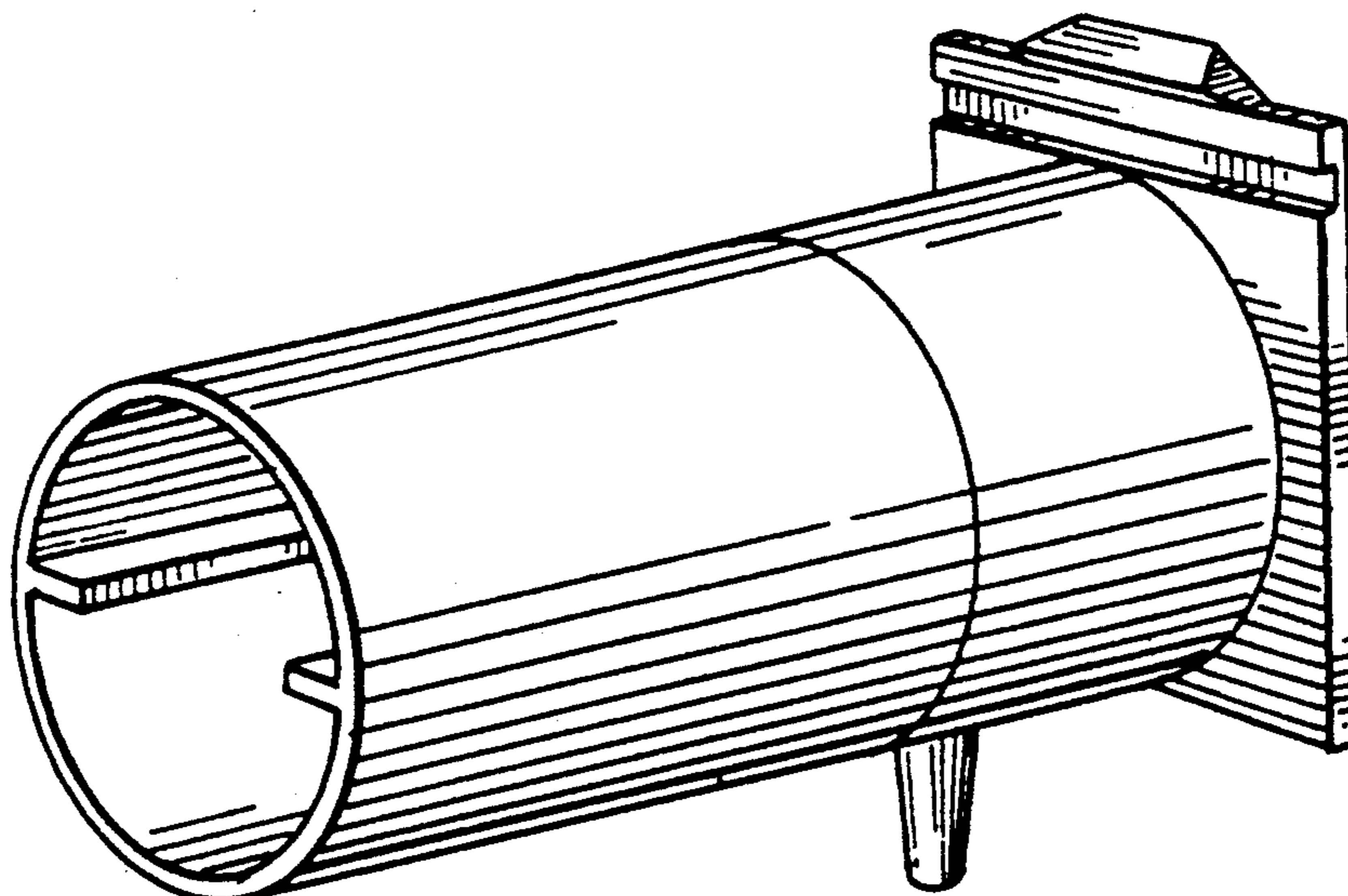
| | | | |
|------------|---------|---------|----------|
| D. 238,712 | 2/1976 | Gray | D24/110 |
| D. 263,166 | 2/1982 | Bushman | D24/110 |
| D. 266,695 | 10/1982 | Trammll | D24/110 |
| D. 281,011 | 10/1985 | Helfer | D24/110 |
| D. 304,232 | 10/1989 | Fuller | D24/110 |
| 3,086,515 | 4/1963 | Jones | 128/2.08 |
| 3,321,976 | 5/1967 | Jones | 73/421.5 |
| 3,512,521 | 5/1970 | Jones | 128/2.08 |
| 3,527,206 | 9/1970 | Jones | 128/2.08 |
| 3,533,398 | 10/1970 | Jones | 128/2 |
| 3,589,190 | 6/1971 | Jones | 73/279 |

[57] **CLAIM**

The ornamental design for a mouthpiece for a spirometer, as shown and described.

DESCRIPTION

FIG. 1 is a perspective view of a mouthpiece for a spirometer showing our new design; FIG. 2 is a front view thereof; FIG. 3 is a side elevational view thereof, the opposite side elevational view being identical thereto; FIG. 4 is a back view thereof; FIG. 5 is a top view thereof; and, FIG. 6 is a bottom view thereof.



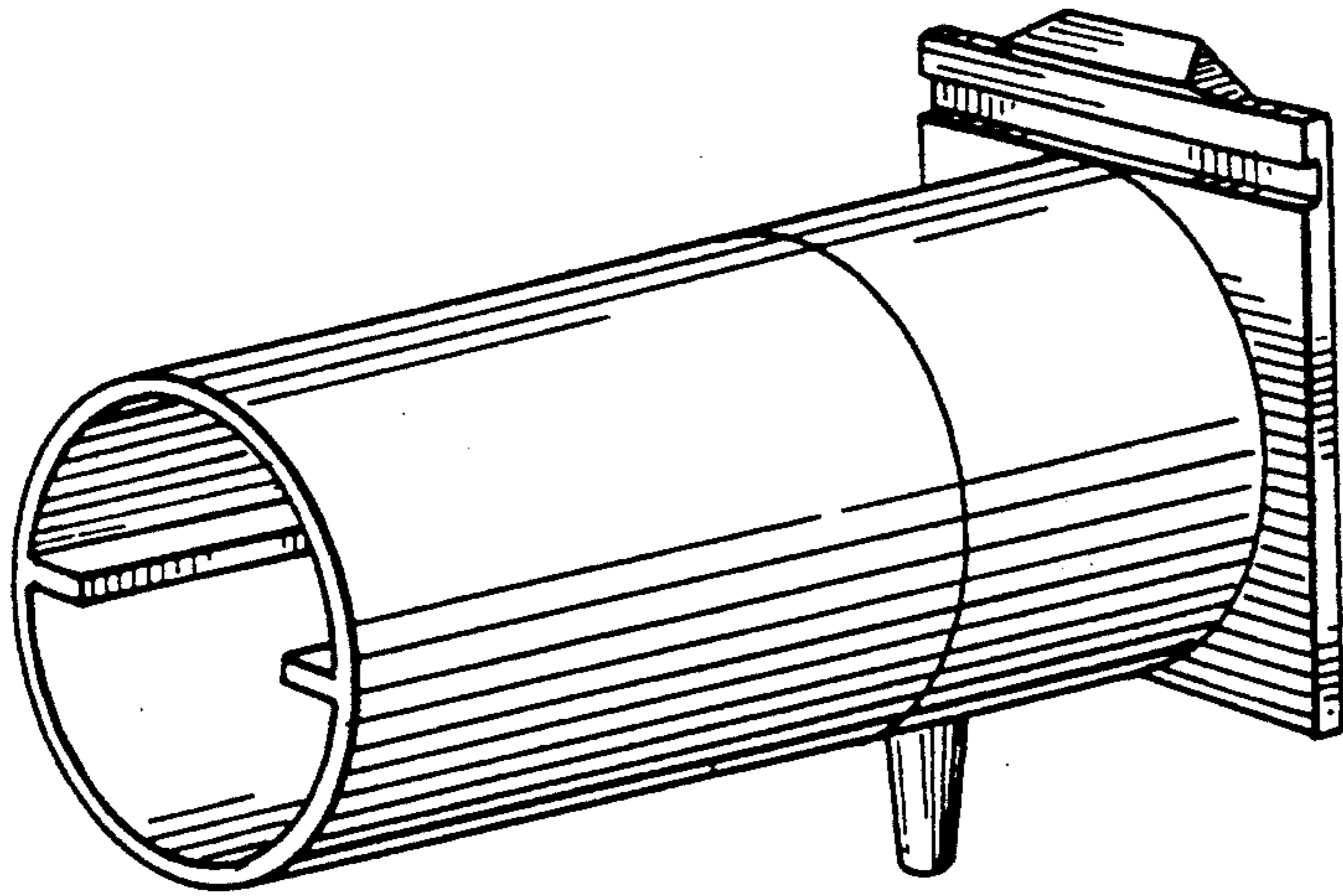


FIG. 1

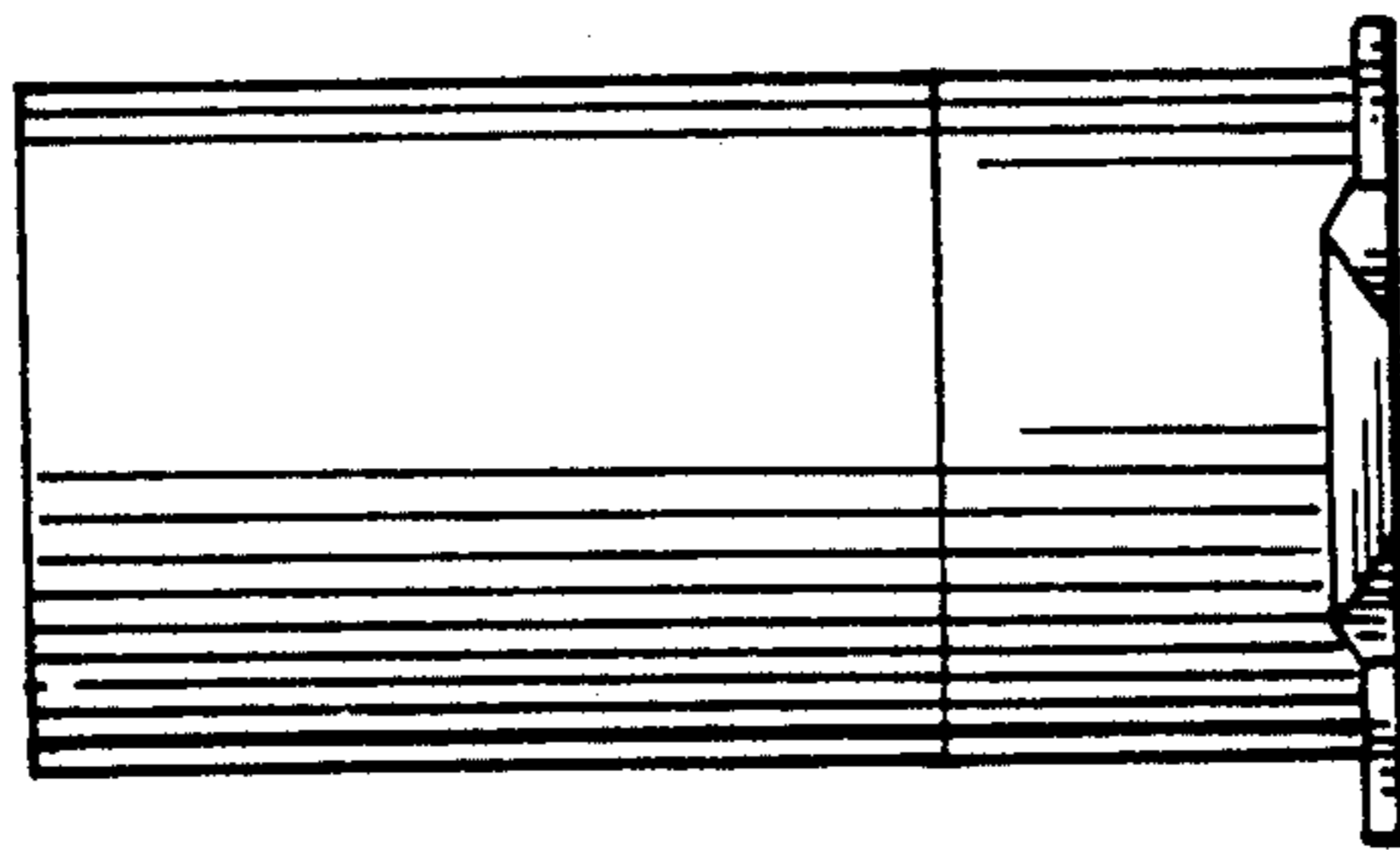


FIG. 5

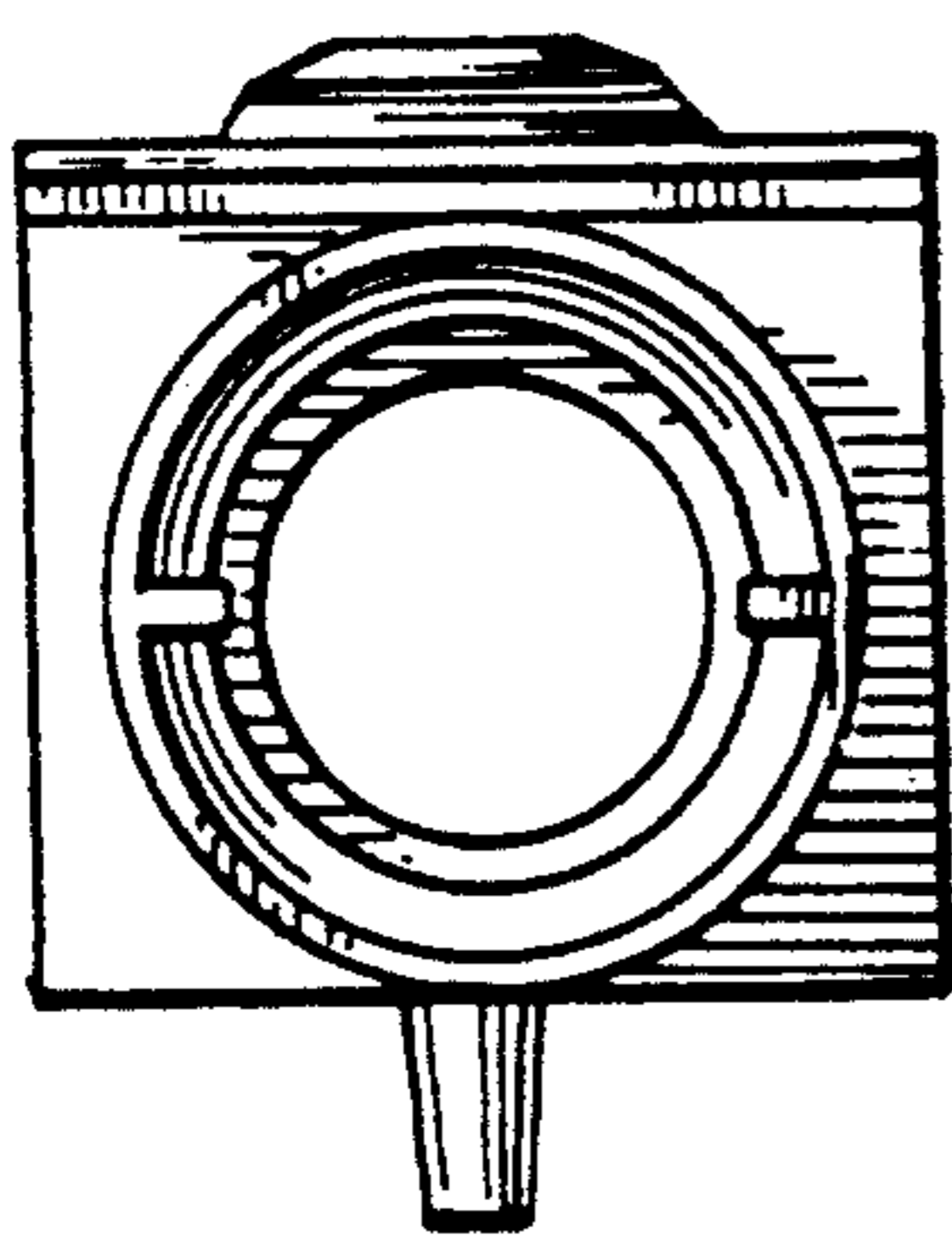


FIG. 2

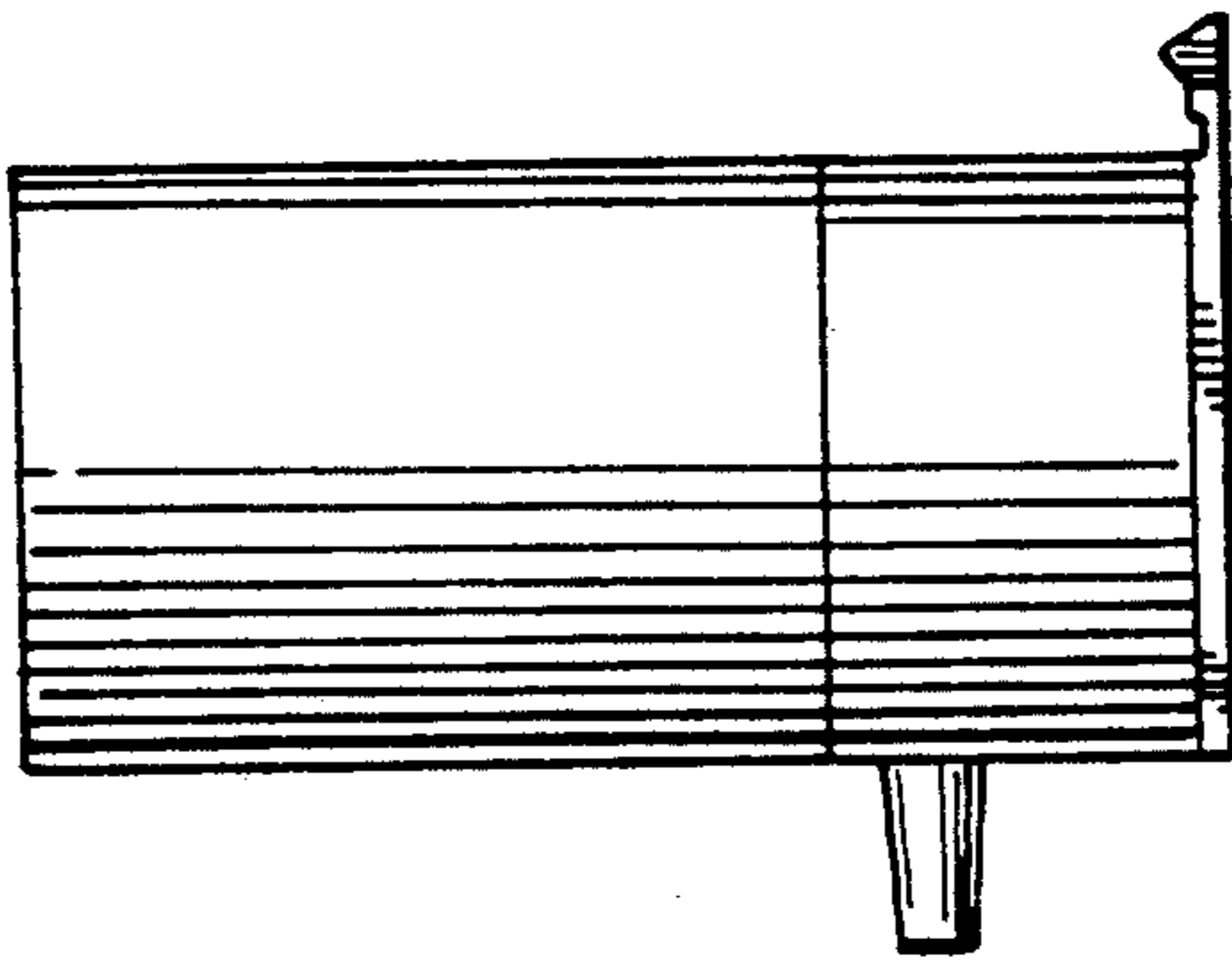


FIG. 3

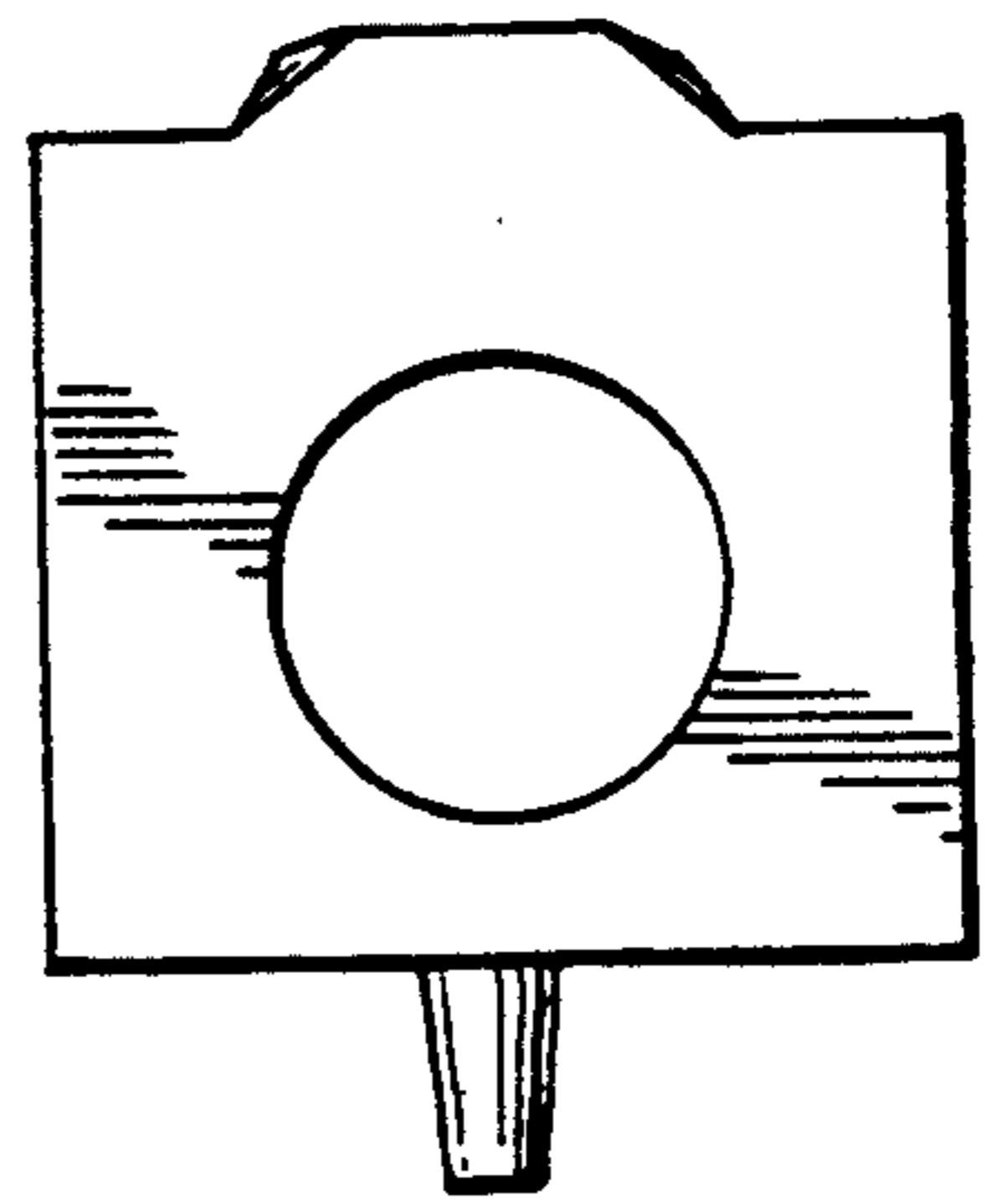


FIG. 4

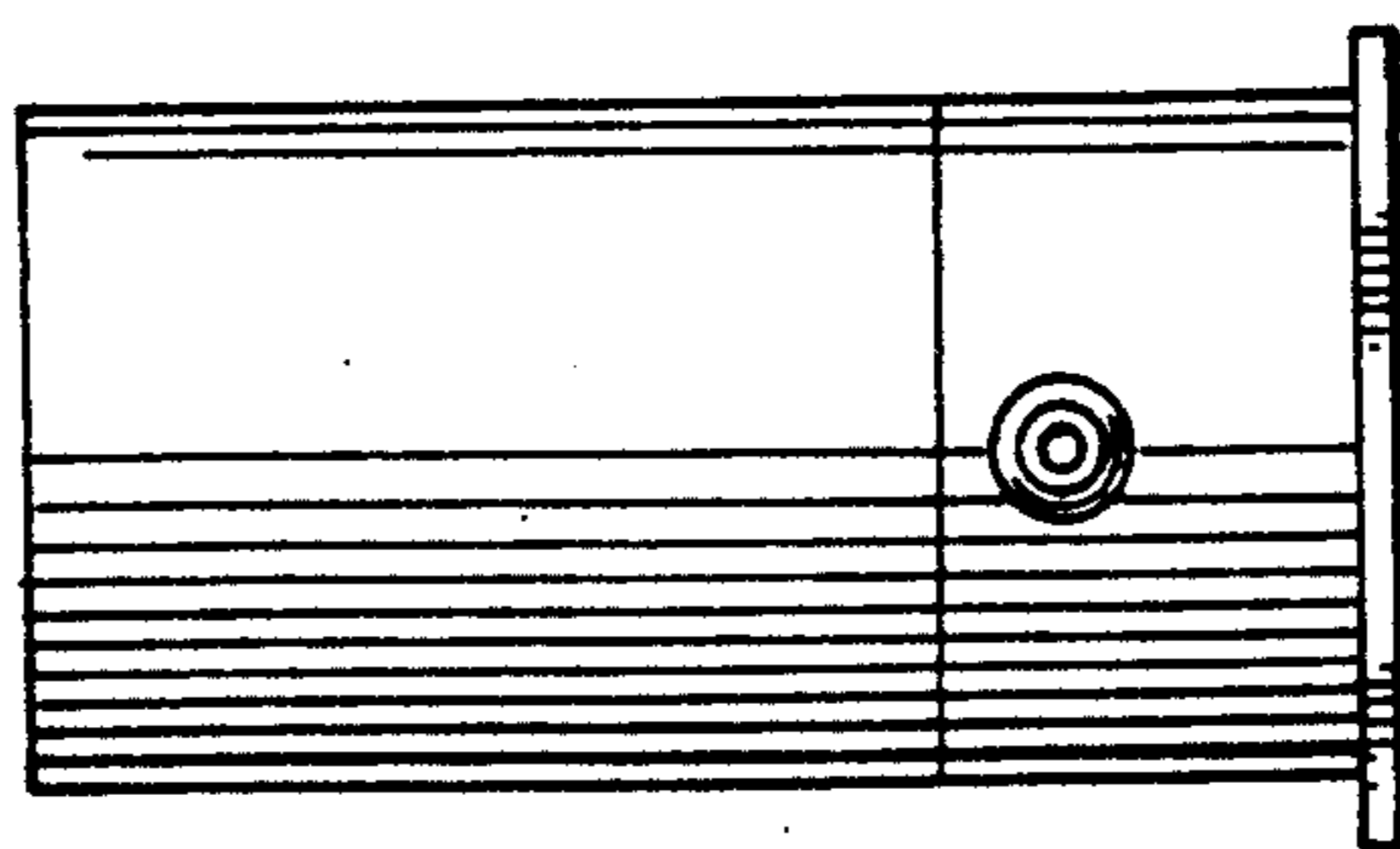


FIG. 6