



US00D335340S

United States Patent [19]

Marvin, Jr.

[11] Patent Number: **Des. 335,340**

[45] Date of Patent: **** May 4, 1993**

[54] **PORTABLE ELECTRICAL HUMIDIFIER**

D. 253,667 12/1979 Doe D21/157
3,188,007 6/1965 Myklebust 261/91

[75] Inventor: **Robert L. Marvin, Jr., New Britain, Conn.**

Primary Examiner—Wallace R. Burke
Assistant Examiner—Lisa Lichtenstein
Attorney, Agent, or Firm—John E. Toupal; Harold G. Jarcho

[73] Assignee: **Duracraft Corporation, Whitinsville, Mass.**

[**] Term: **14 Years**

[57] CLAIM

[21] Appl. No.: **875,143**

The ornamental design for a portable electrical humidifier, as shown and described.

[22] Filed: **Apr. 29, 1992**

DESCRIPTION

[52] U.S. Cl. **D23/356**

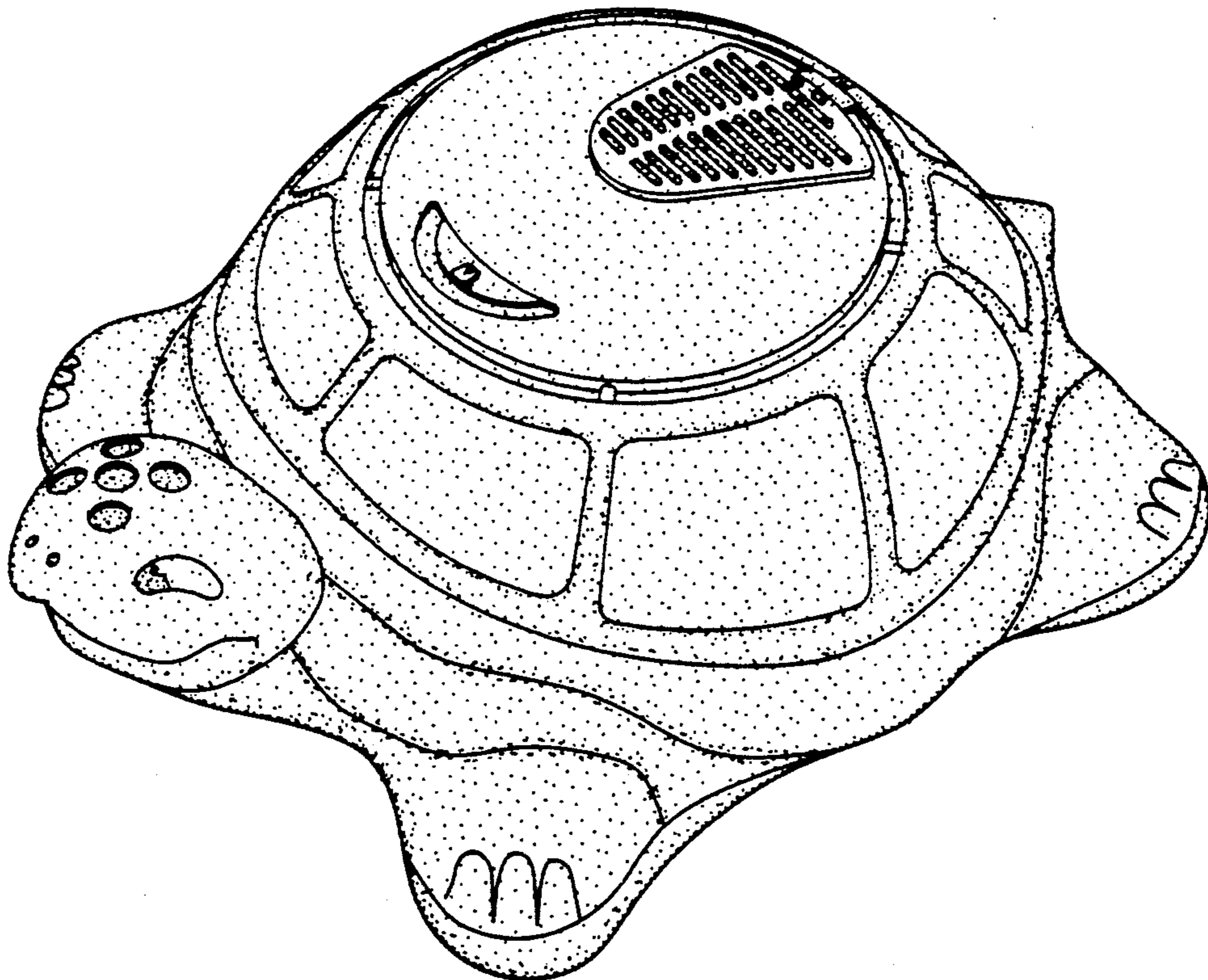
[58] Field of Search **D23/556-363;**
392/403-406, 333-337; 239/136

FIG. 1 is a front, top and right side perspective view of a portable electrical humidifier showing my new design; FIG. 2 is a top plan view thereof; FIG. 3 is a bottom plan view thereof; FIG. 4 is a right side elevational view thereof, the left side being a mirror image of that shown; FIG. 5 is a front elevational view thereof; and, FIG. 6 is a rear elevational view thereof.

[56] References Cited

U.S. PATENT DOCUMENTS

D. 217,685 5/1970 Steffens D21/157
D. 250,421 11/1978 Reich D21/157



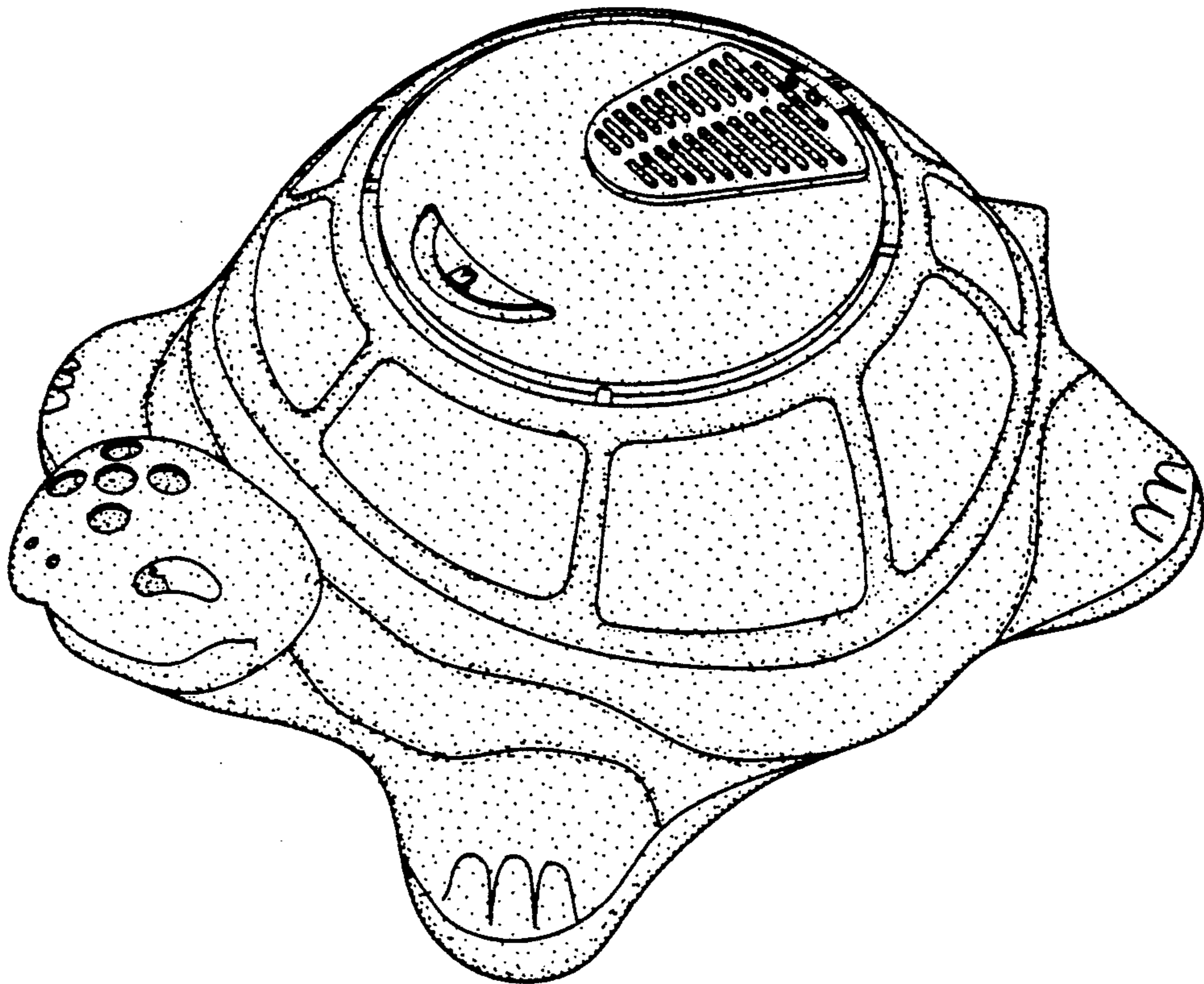


FIG. 1

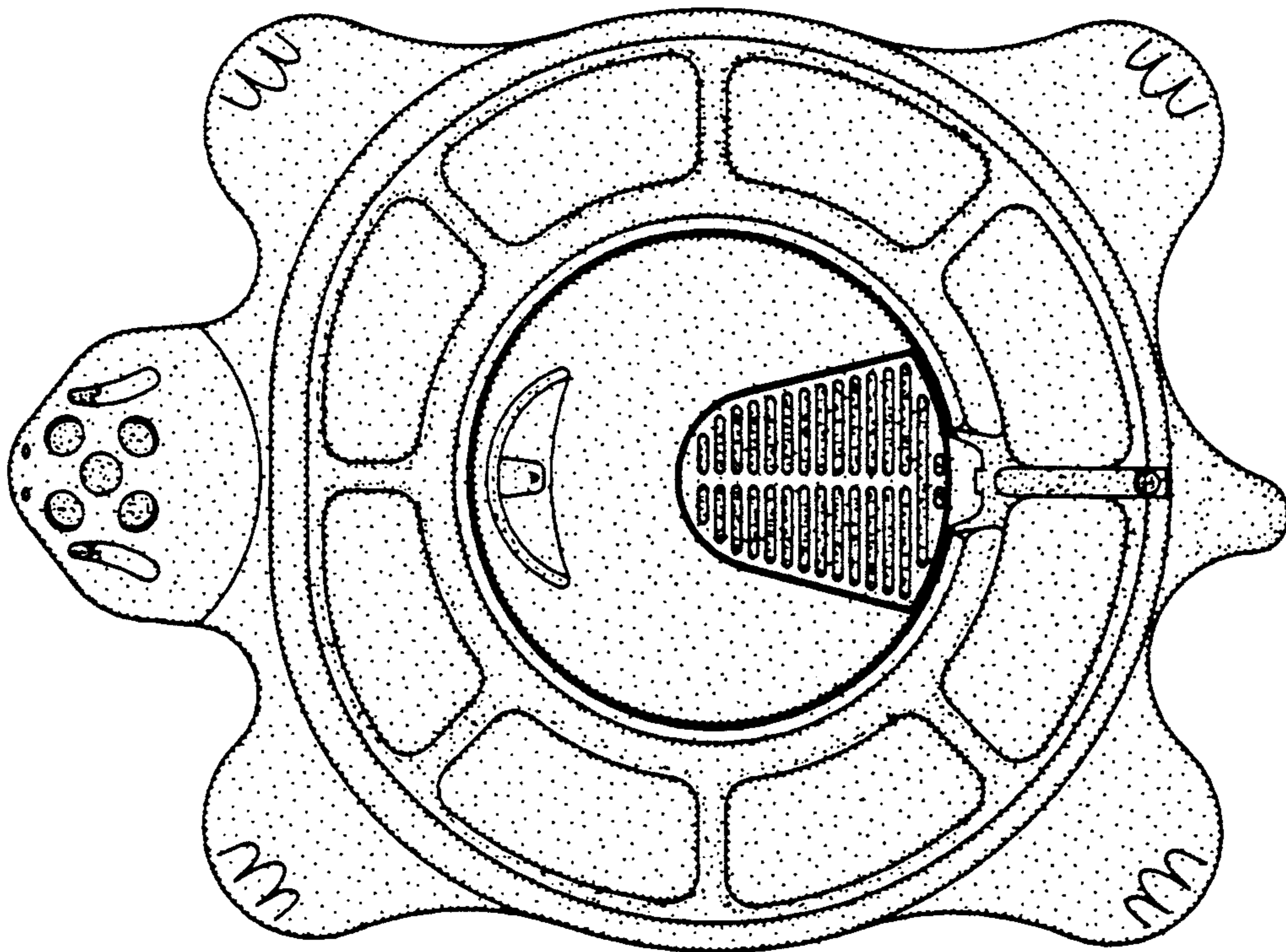


FIG. 2

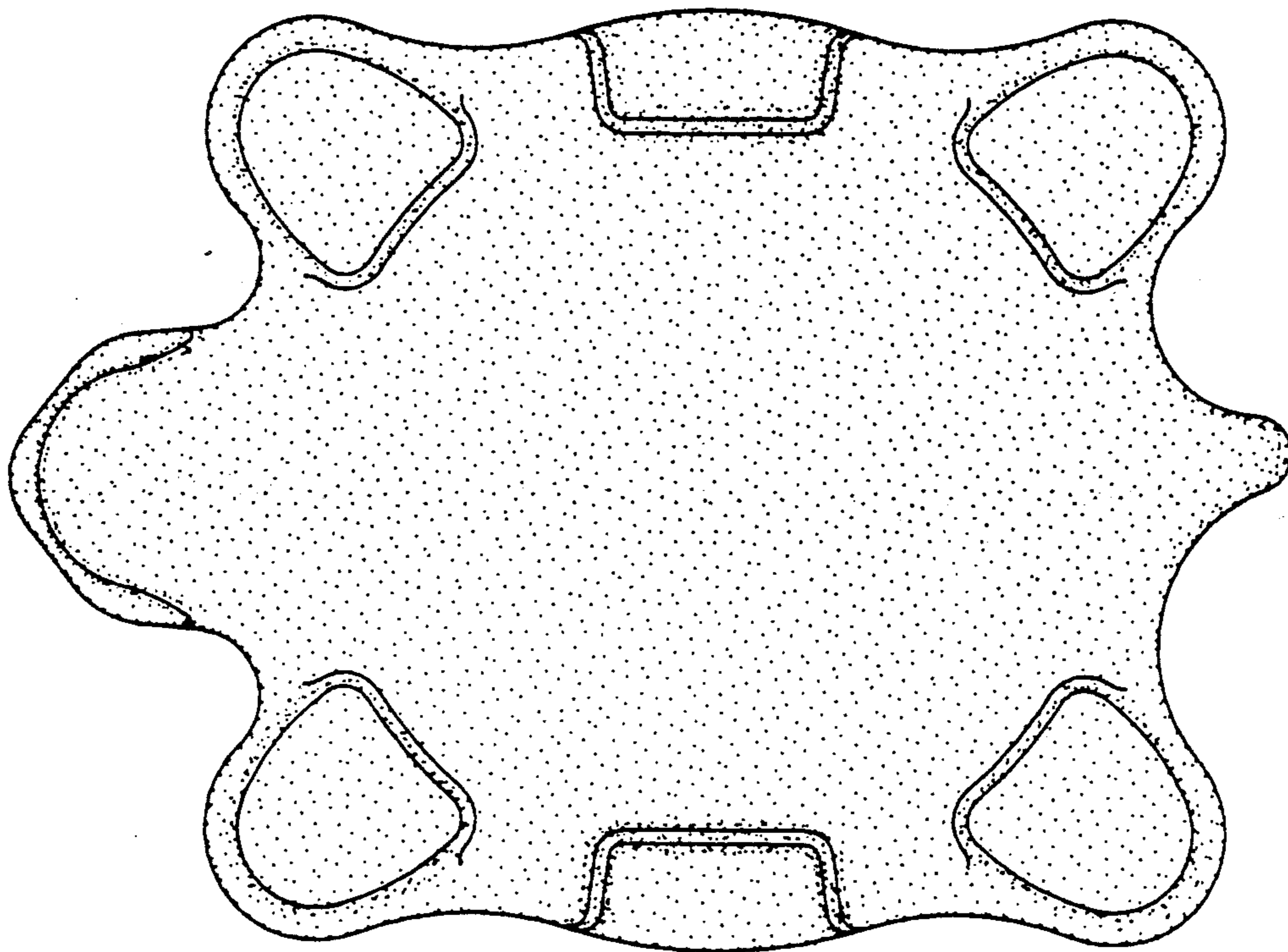


FIG. 3

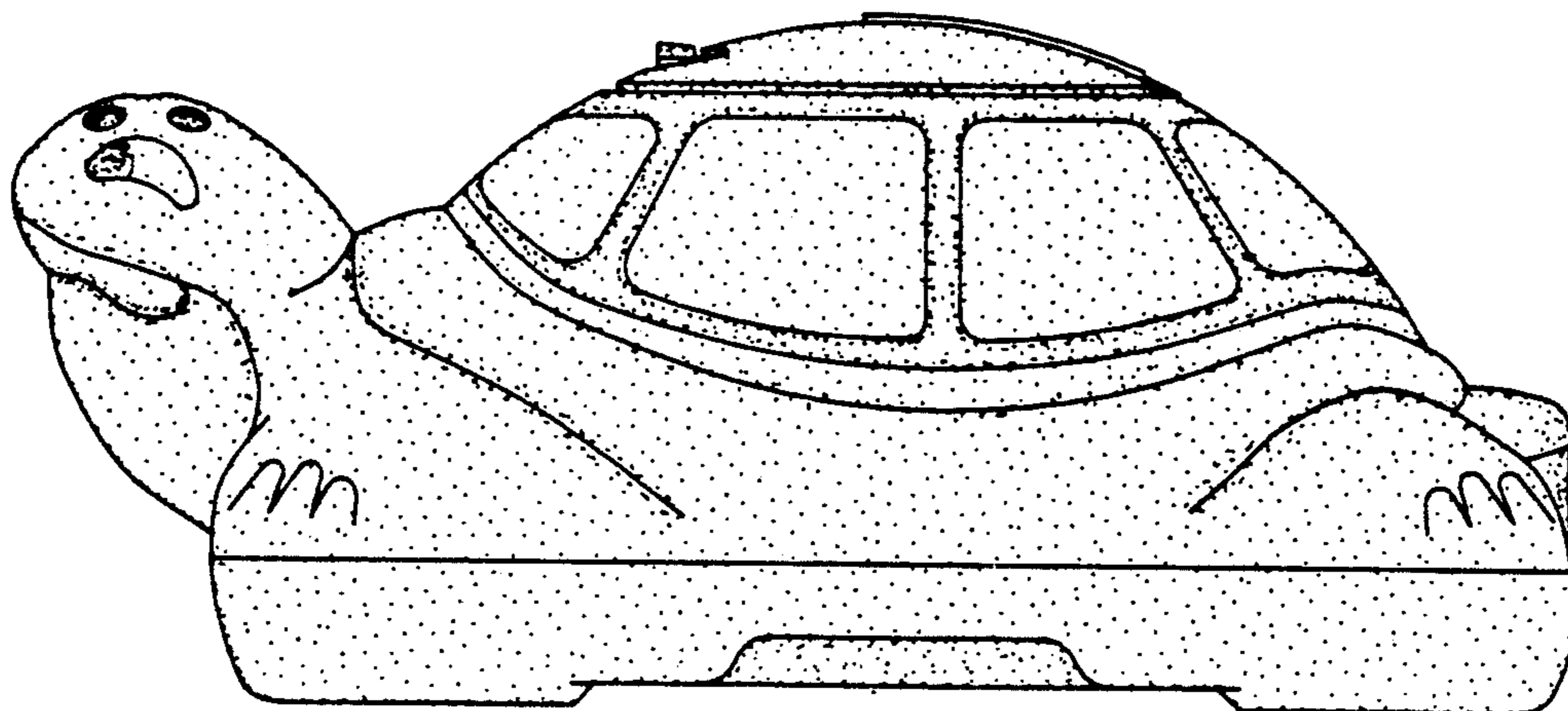


FIG. 4

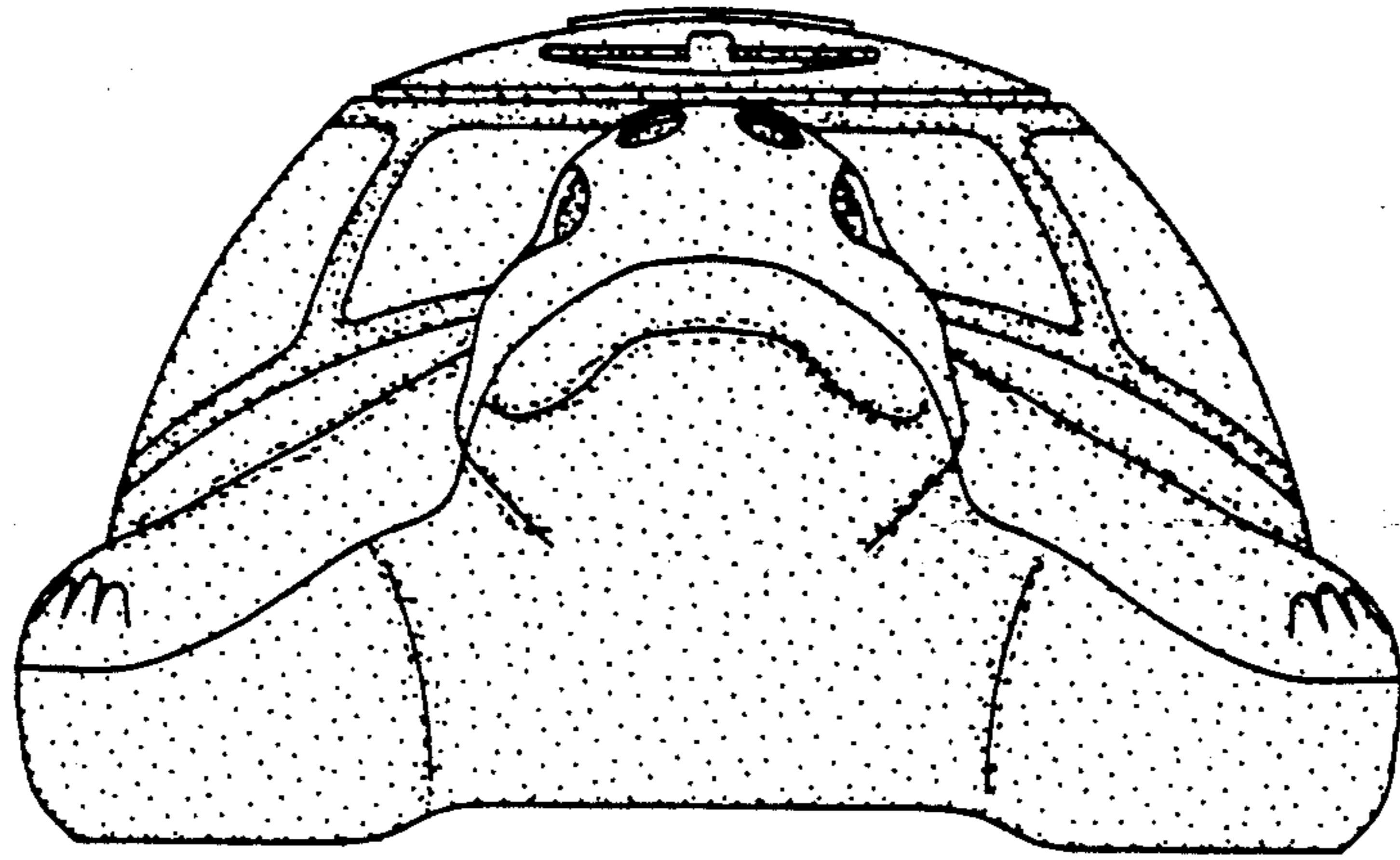


FIG. 5

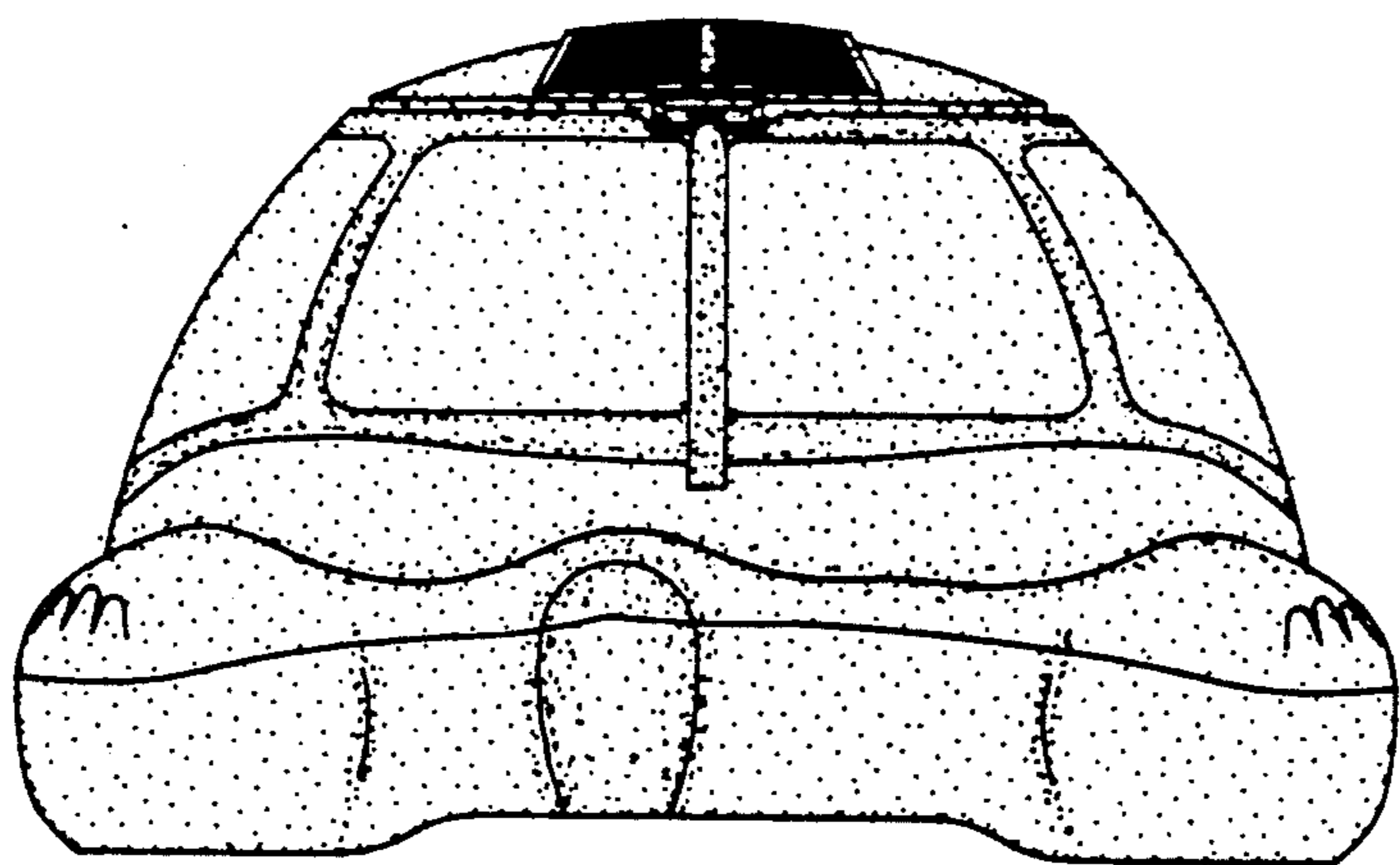


FIG. 6