



US00D335338S

United States Patent [19]

Shero

[11] Patent Number: **Des. 335,338**

[45] Date of Patent: **** May 4, 1993**

[54] **HEAT EXCHANGER HOUSING**

3,893,504 7/1975 Gaines, Jr. 165/163
4,932,467 6/1990 Wigmore et al. 165/163

[76] Inventor: **William K. Shero, 30961 Steeplechase, San Juan Capistrano, Calif. 92675**

FOREIGN PATENT DOCUMENTS

201626 1/1959 Austria 165/157
512164 6/1955 Italy 165/163

[**] Term: **14 Years**

Primary Examiner—Wallace R. Burke
Assistant Examiner—Lisa Lichtenstein
Attorney, Agent, or Firm—Stetina and Brunda

[21] Appl. No.: **628,928**

[22] Filed: **Dec. 12, 1990**

[57] **CLAIM**

[52] U.S. Cl. **D23/323**
[58] Field of Search D23/330, 386, 323, 328;
392/465, 497, 501; 165/163, 157; D25/199

The ornamental design for a heat exchanger housing, as shown.

[56] **References Cited**

DESCRIPTION

U.S. PATENT DOCUMENTS

3,871,444 3/1975 Houser et al. 165/163

FIG. 1 is a top and front perspective view of a heat exchanger housing, showing my new design; and, FIG. 2 is a rear and bottom perspective view thereof.

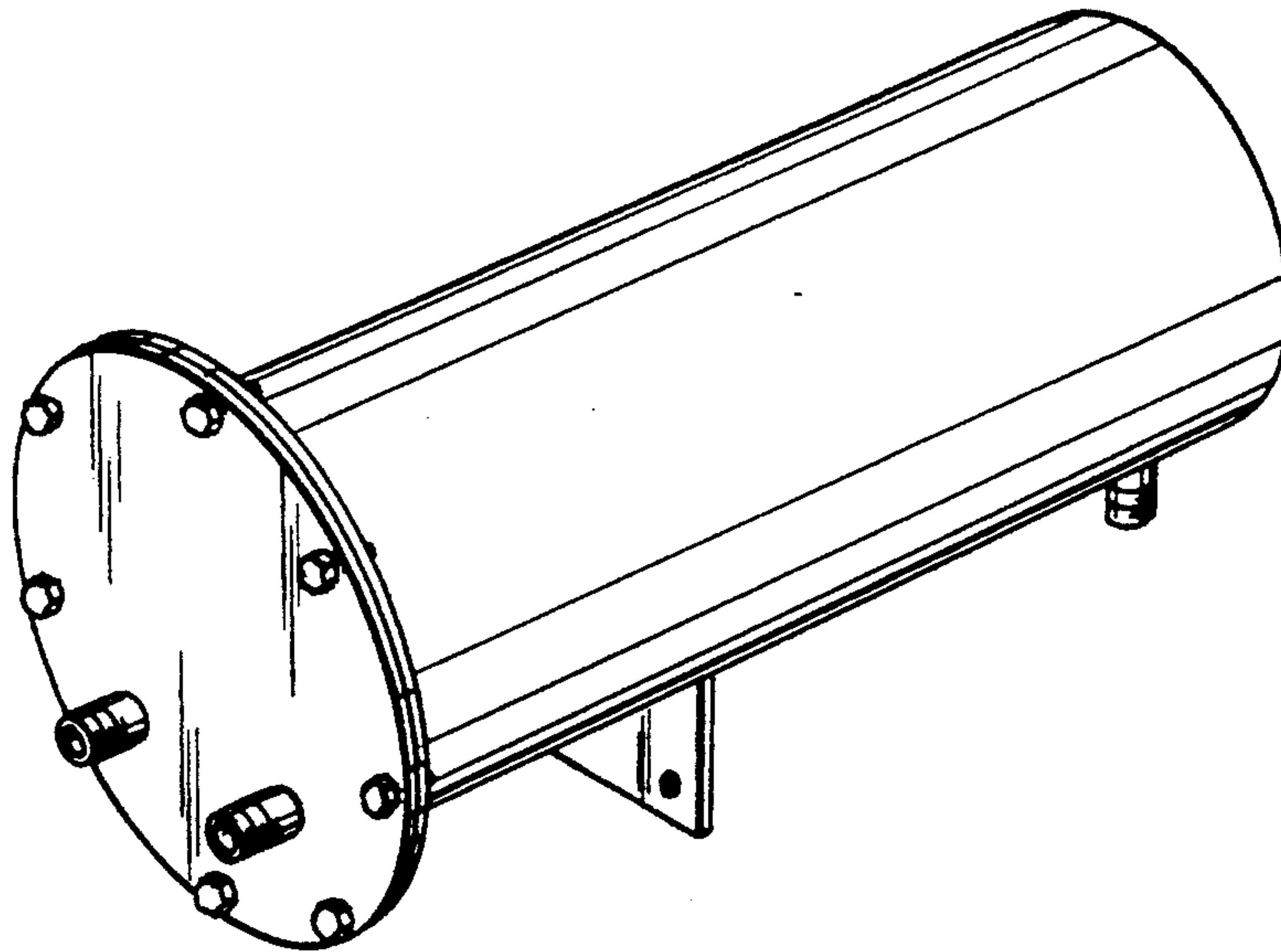


Fig. 1

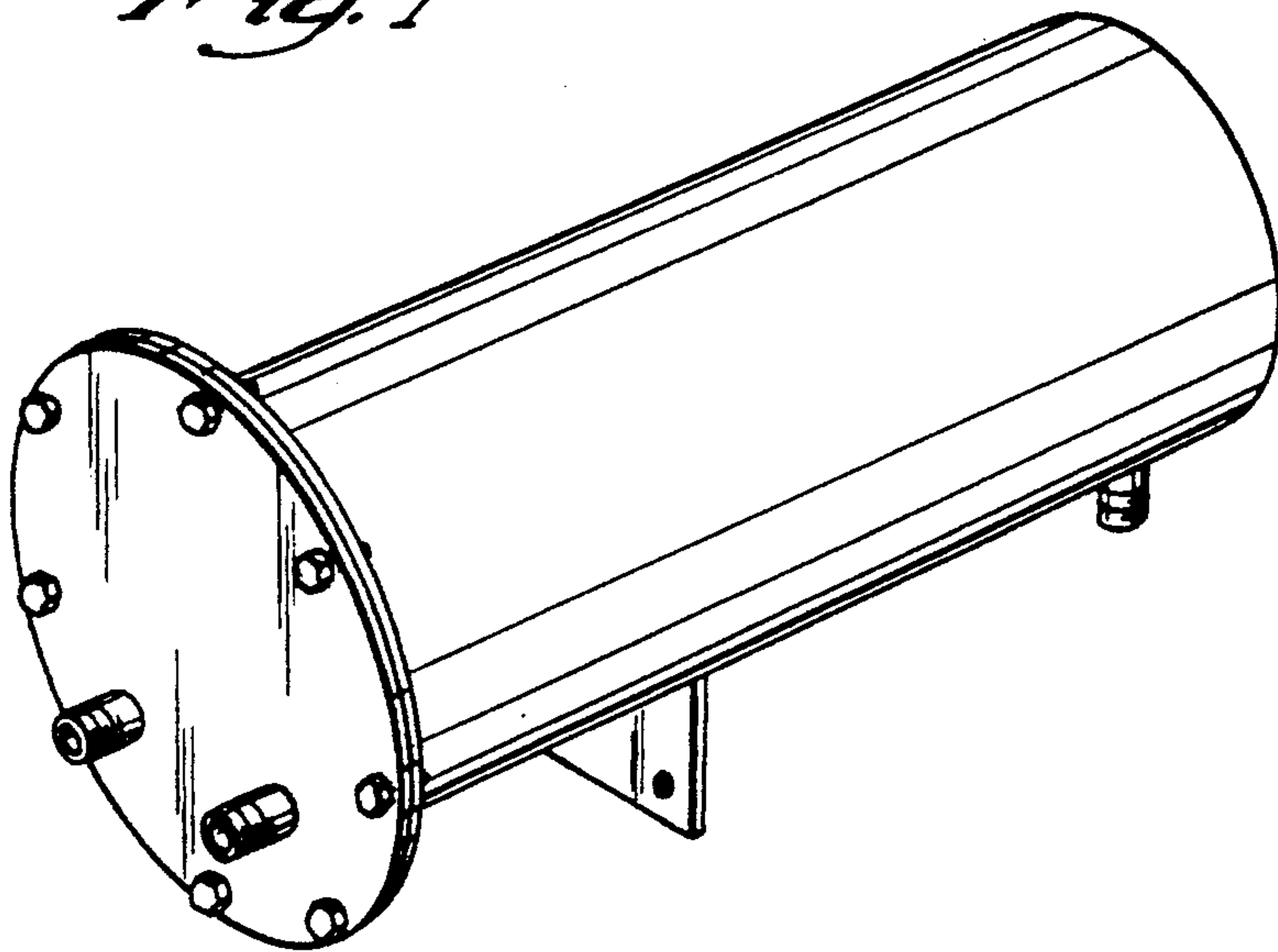


Fig. 2

