



US00D335337S

United States Patent [19]

[11] Patent Number: **Des. 335,337**

Shellenberger

[45] Date of Patent: **** May 4, 1993**

[54] **HEAT EXCHANGER FOR FUEL FIRED FURNACES**

[75] Inventor: **Timothy J. Shellenberger, Fort Smith, Ark.**

[73] Assignee: **Rheem Manufacturing Company, New York, N.Y.**

[**] Term: **14 Years**

[21] Appl. No.: **525,477**

[22] Filed: **May 18, 1990**

[52] U.S. Cl. **D23/330**

[58] Field of Search **D23/330; 126/99 R, 110 R, 126/116 R, 116 A, 523, 524**

3,358,672	12/1967	Dirk et al.	126/110
4,308,990	1/1982	Borovina et al.	236/10
4,478,206	10/1984	Ahn	126/99 A
4,682,579	7/1987	Bigham	126/116 A
4,738,307	4/1988	Bentley et al.	126/110 R
4,807,588	2/1989	Bentley et al.	126/110 R
4,926,840	5/1990	Shellenberger et al.	126/116 R

Primary Examiner—James M. Gandy
Attorney, Agent, or Firm—Konneker & Bush

[57] CLAIM

The ornamental design for a heat exchanger for fuel fired furnaces, as shown and described.

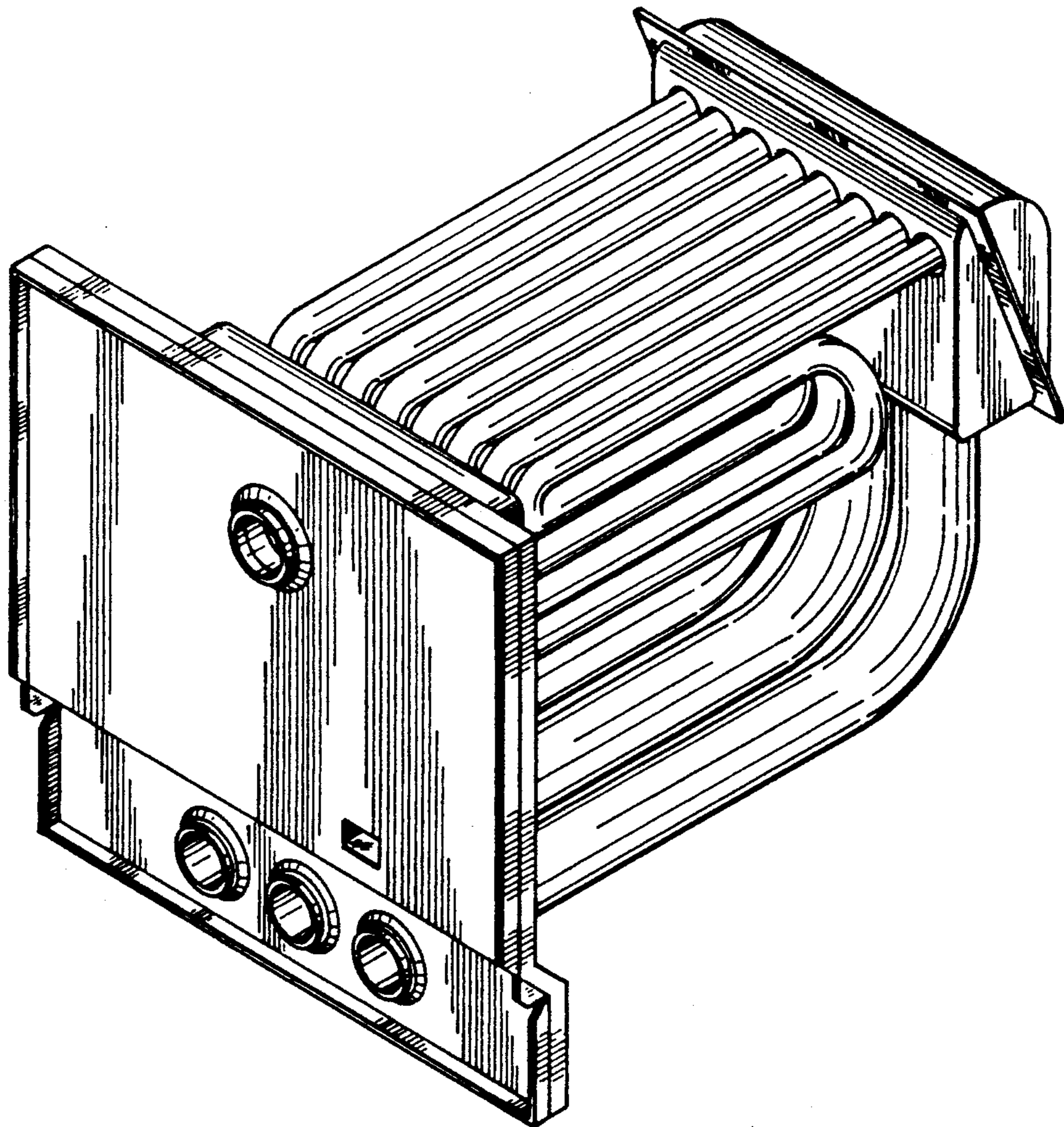
DESCRIPTION

FIG. 1 is a front perspective view of the heat exchanger for fuel fired furnaces;
FIG. 2 is a right side elevational view thereof, which is a mirror image of its left side elevational view;
FIG. 3 is a rear end elevational view thereof;
FIG. 4 is a front end elevational view thereof;
FIG. 5 is a top plan view thereof; and,
FIG. 6 is a bottom plan view thereof.

[56] References Cited

U.S. PATENT DOCUMENTS

2,353,606	7/1944	Watts	126/104
2,525,400	10/1950	Crawford	126/110
2,527,937	10/1950	Klug	126/110
2,589,555	3/1952	King et al.	126/110



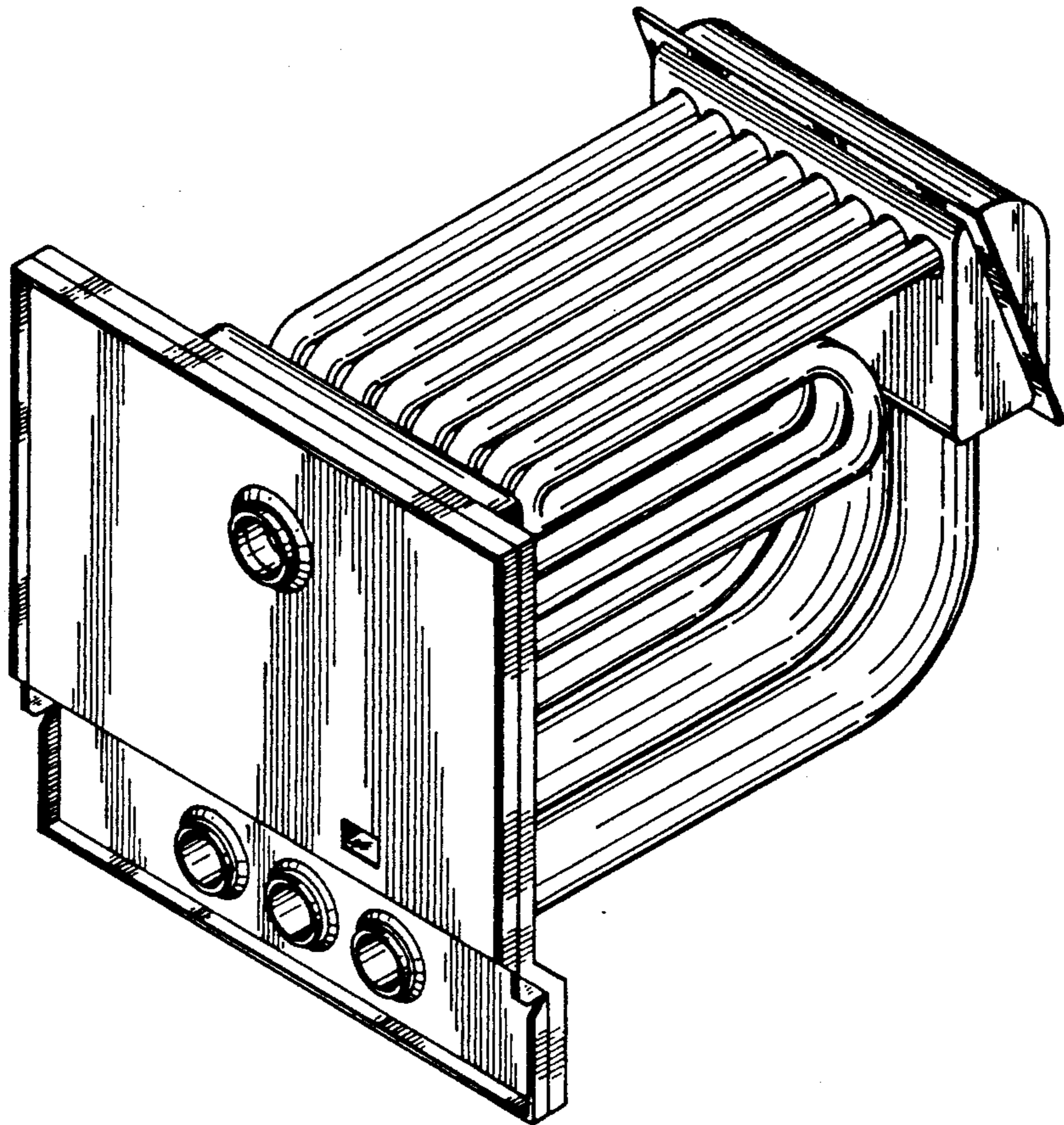


FIG. 1

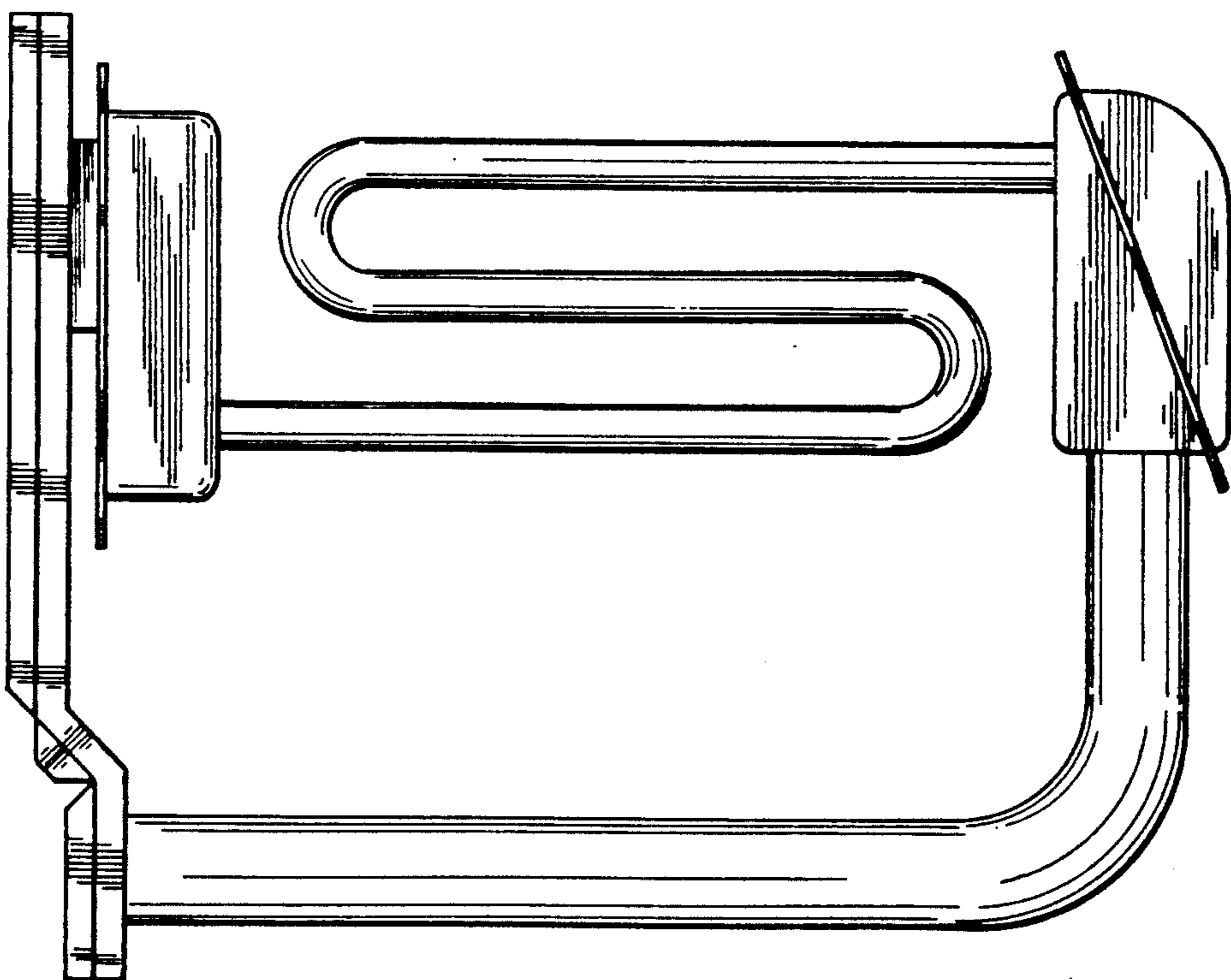


FIG. 2

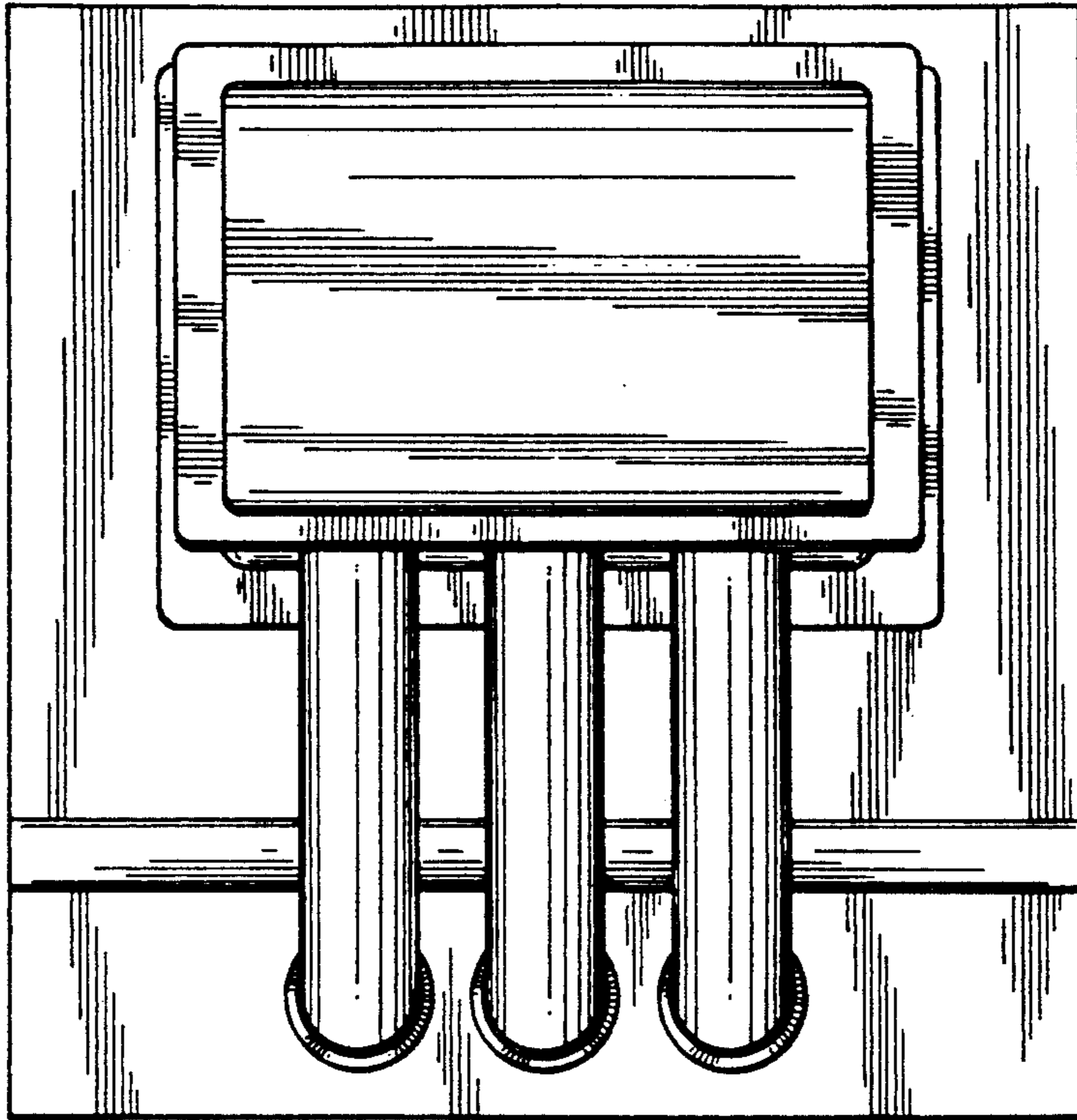


FIG. 3

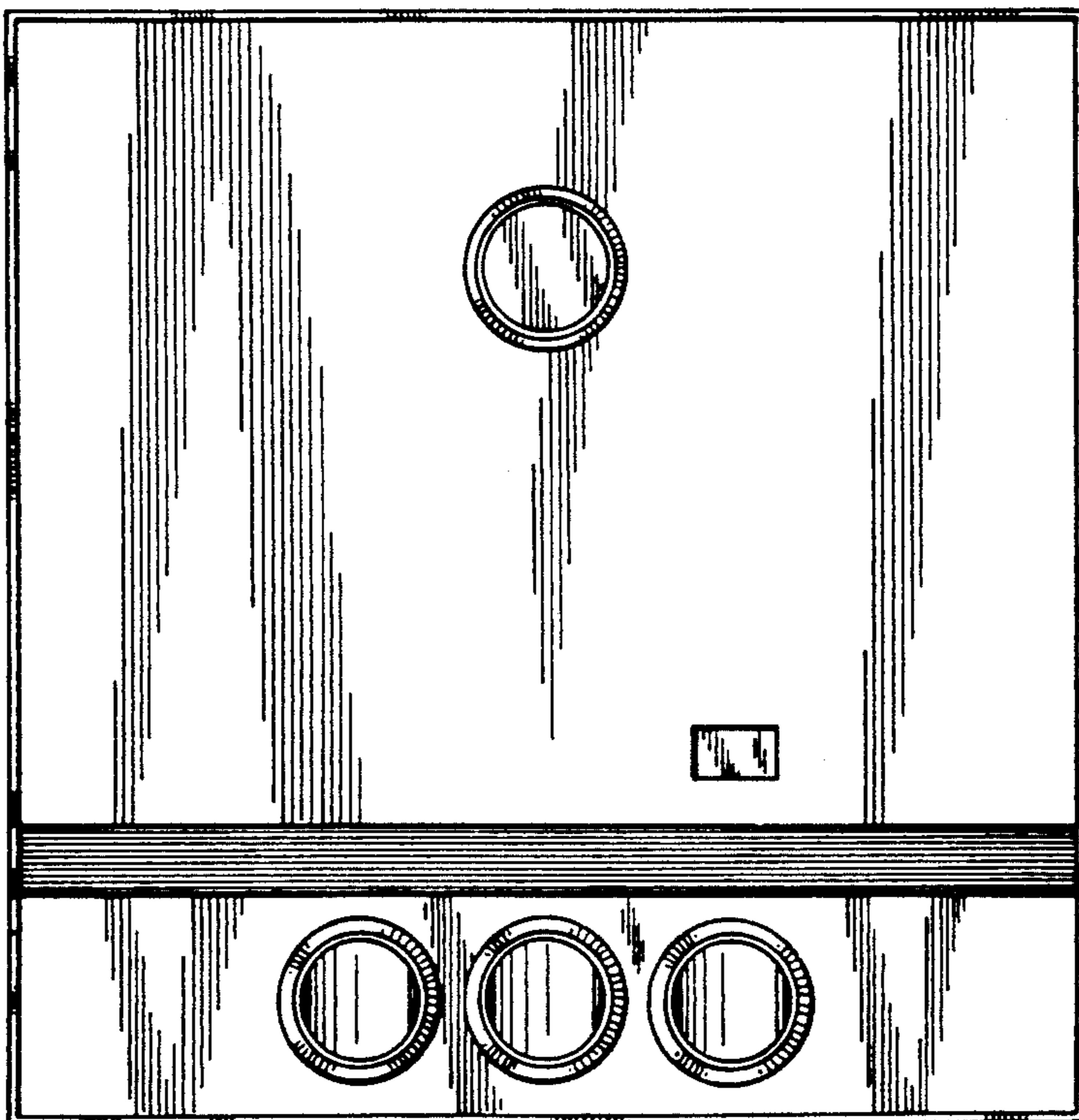


FIG. 4

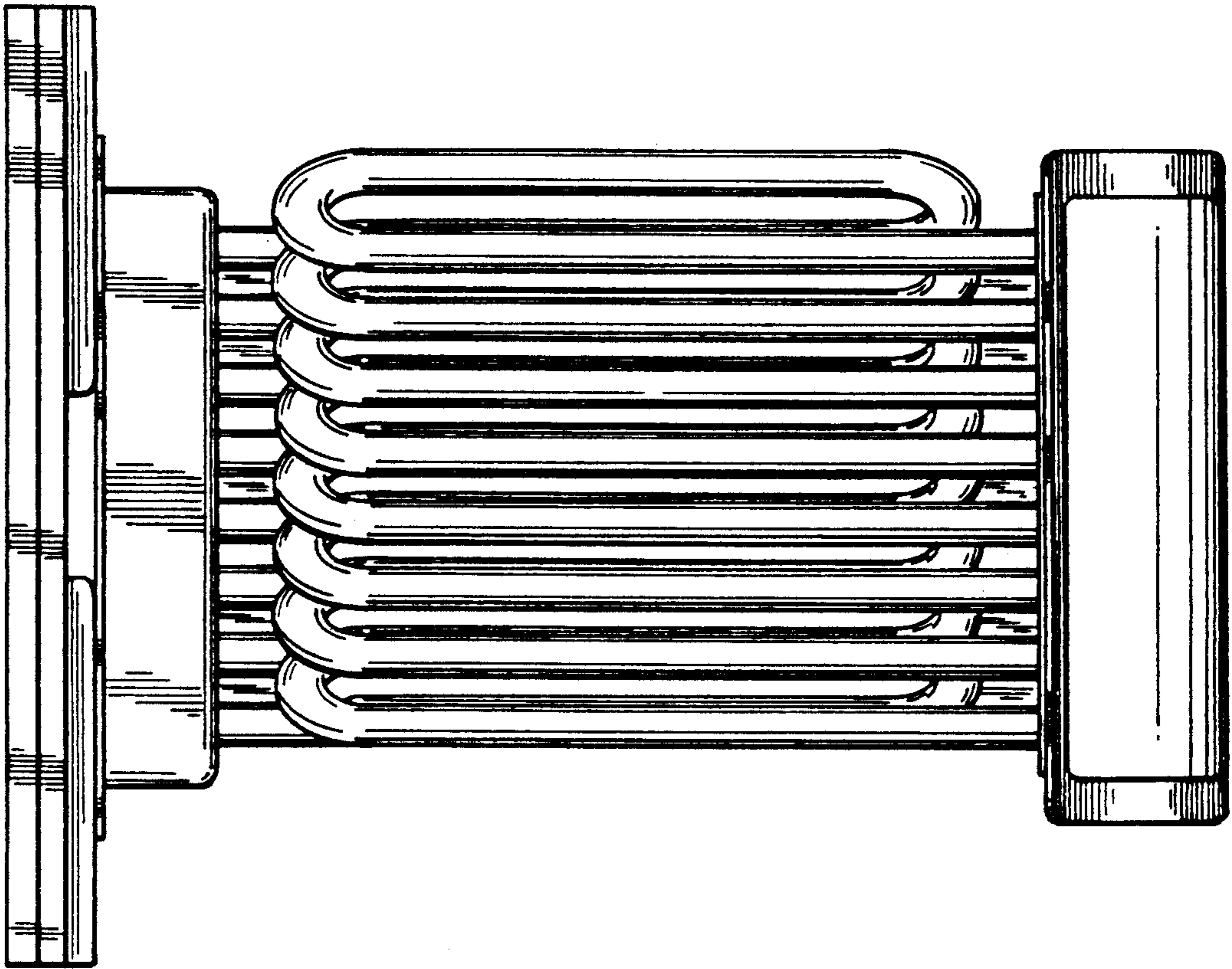


FIG. 5

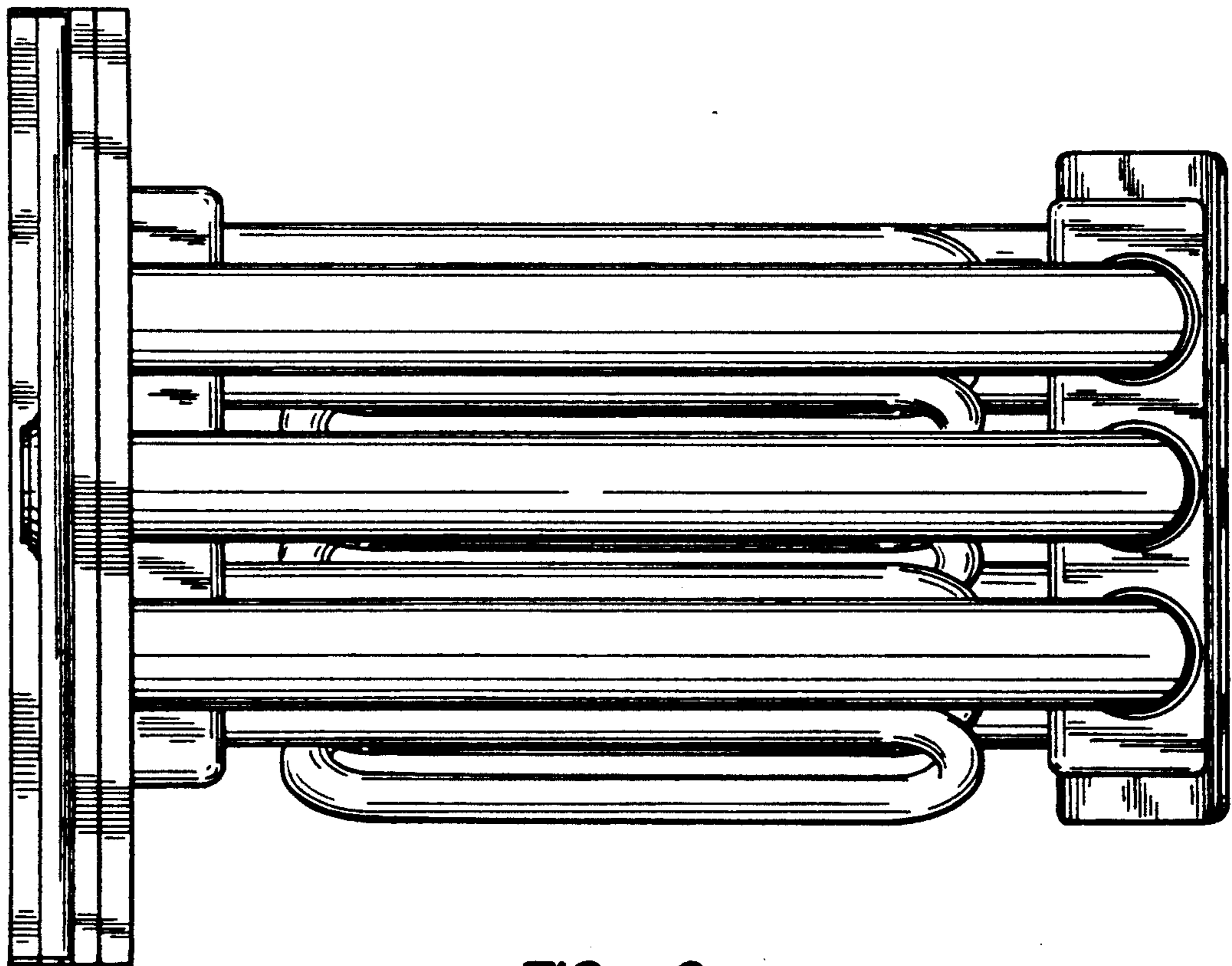


FIG. 6