



US00D335336S

# United States Patent [19]

[11] Patent Number: **Des. 335,336**

Stiefel

[45] Date of Patent: **\*\* May 4, 1993**

[54] **BASE FOR A SHOWER STALL**

[76] Inventor: **Jeffrey P. Stiefel, 1425 Crowder Ave., Reading, Pa. 19607**

[\*\*] Term: **14 Years**

[21] Appl. No.: **484,665**

[22] Filed: **Feb. 26, 1990**

[52] U.S. Cl. .... **D23/283**

[58] Field of Search ..... **D23/275, 283, 303-307; 4/596, 597, 604, 611, 612, 613**

3,363,267 1/1968 Kaiser et al. .... 4/613  
 3,744,065 7/1973 Yavitch ..... 4/613  
 4,541,132 9/1985 Long ..... 4/614  
 4,557,004 12/1985 Piana ..... 4/596

*Primary Examiner*—James R. Largen  
*Attorney, Agent, or Firm*—Antonelli, Terry, Stout & Kraus

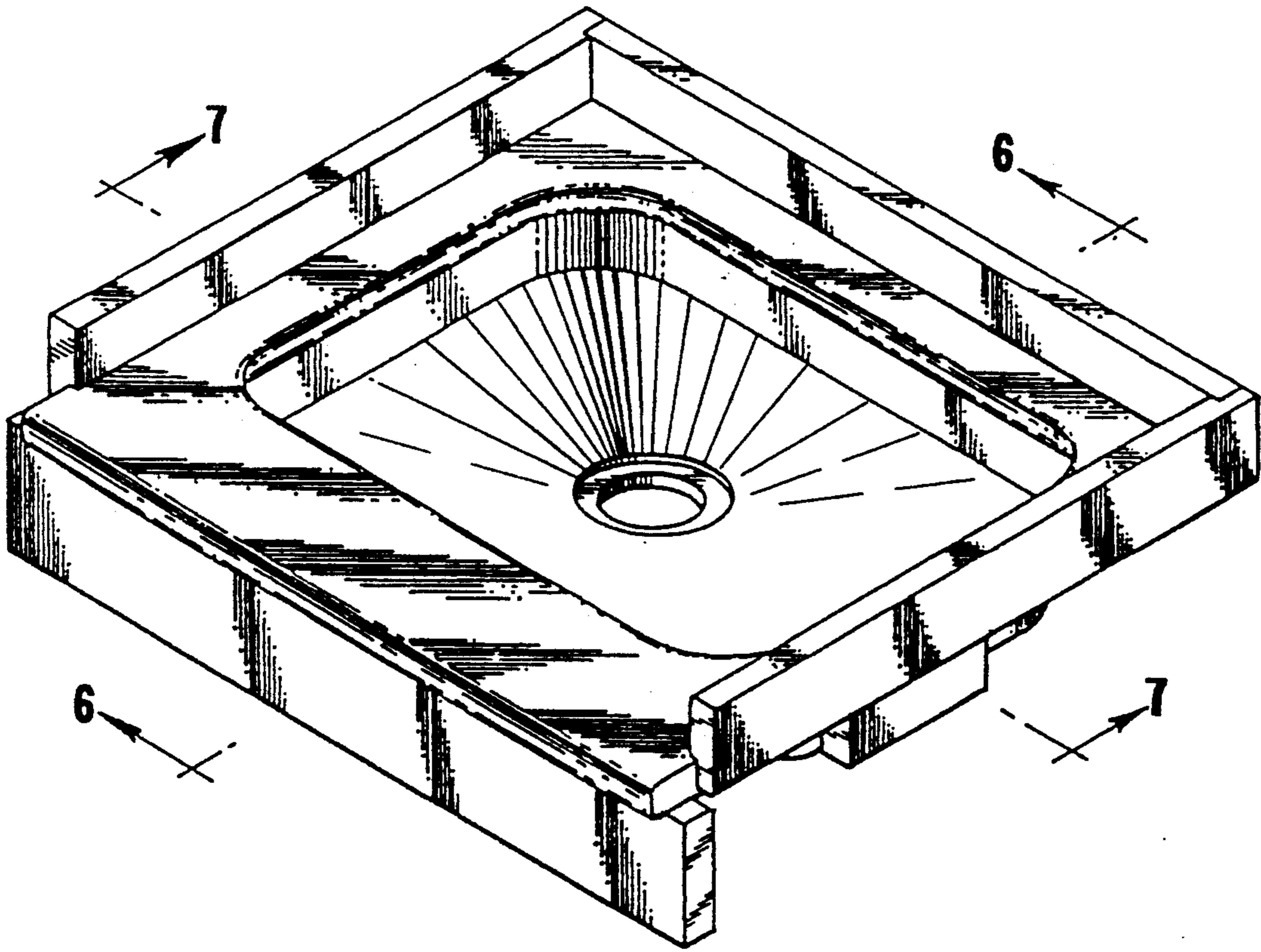
[57] **CLAIM**  
 The ornamental design for a base for a shower stall, as shown and described.

### DESCRIPTION

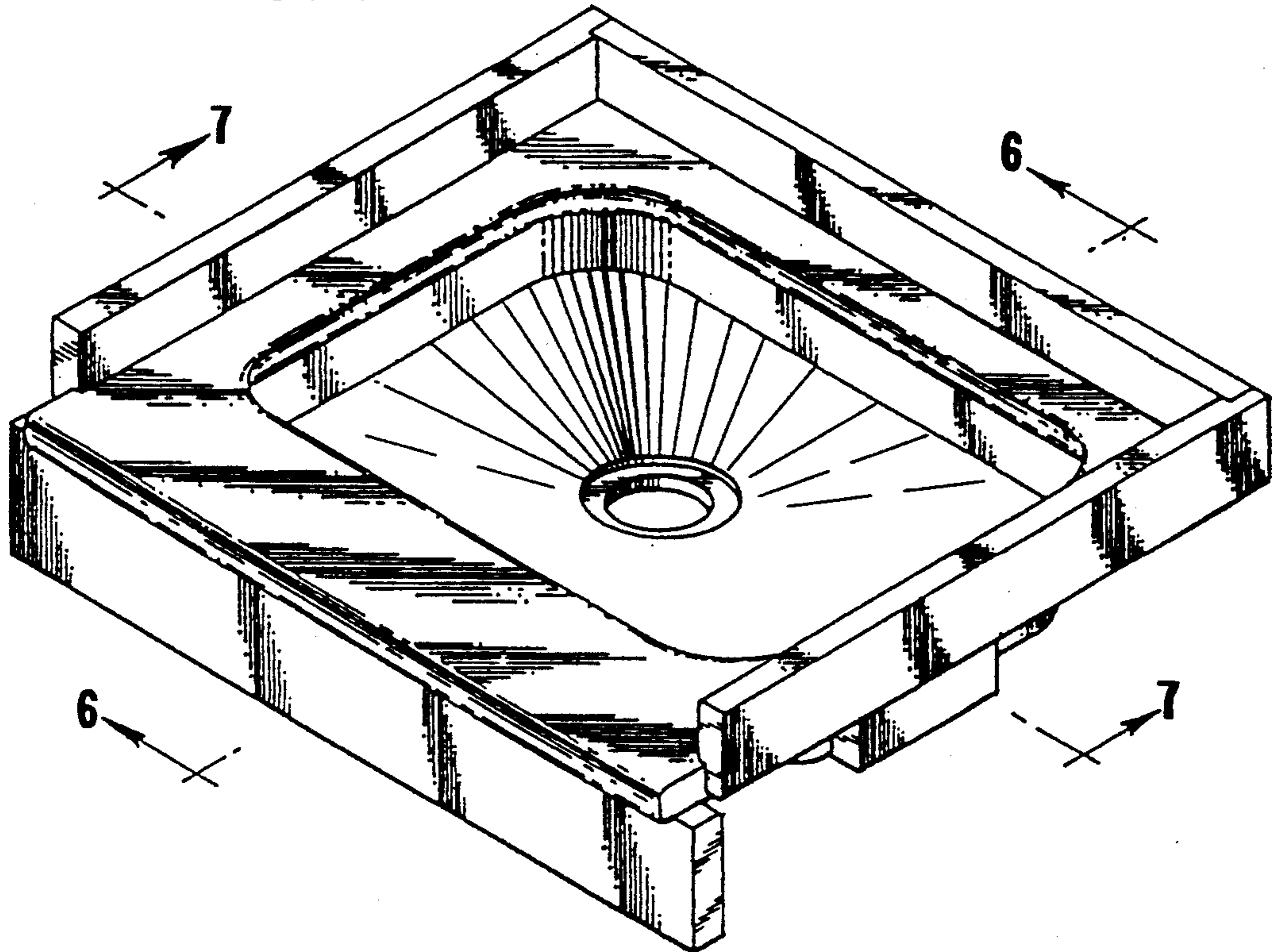
FIG. 1 is a top isometric view of a base for a shower stall showing my new design;  
 FIG. 2 is a bottom plan view thereof;  
 FIG. 3 is a left side elevational view thereof;  
 FIG. 4 is a rear elevational view thereof;  
 FIG. 5 is a right side elevational view thereof;  
 FIG. 6 is a cross sectional view taken on line 6—6 of FIG. 1; and,  
 FIG. 7 is a cross sectional view taken on line 7—7 of FIG. 1.

[56] **References Cited**  
**U.S. PATENT DOCUMENTS**

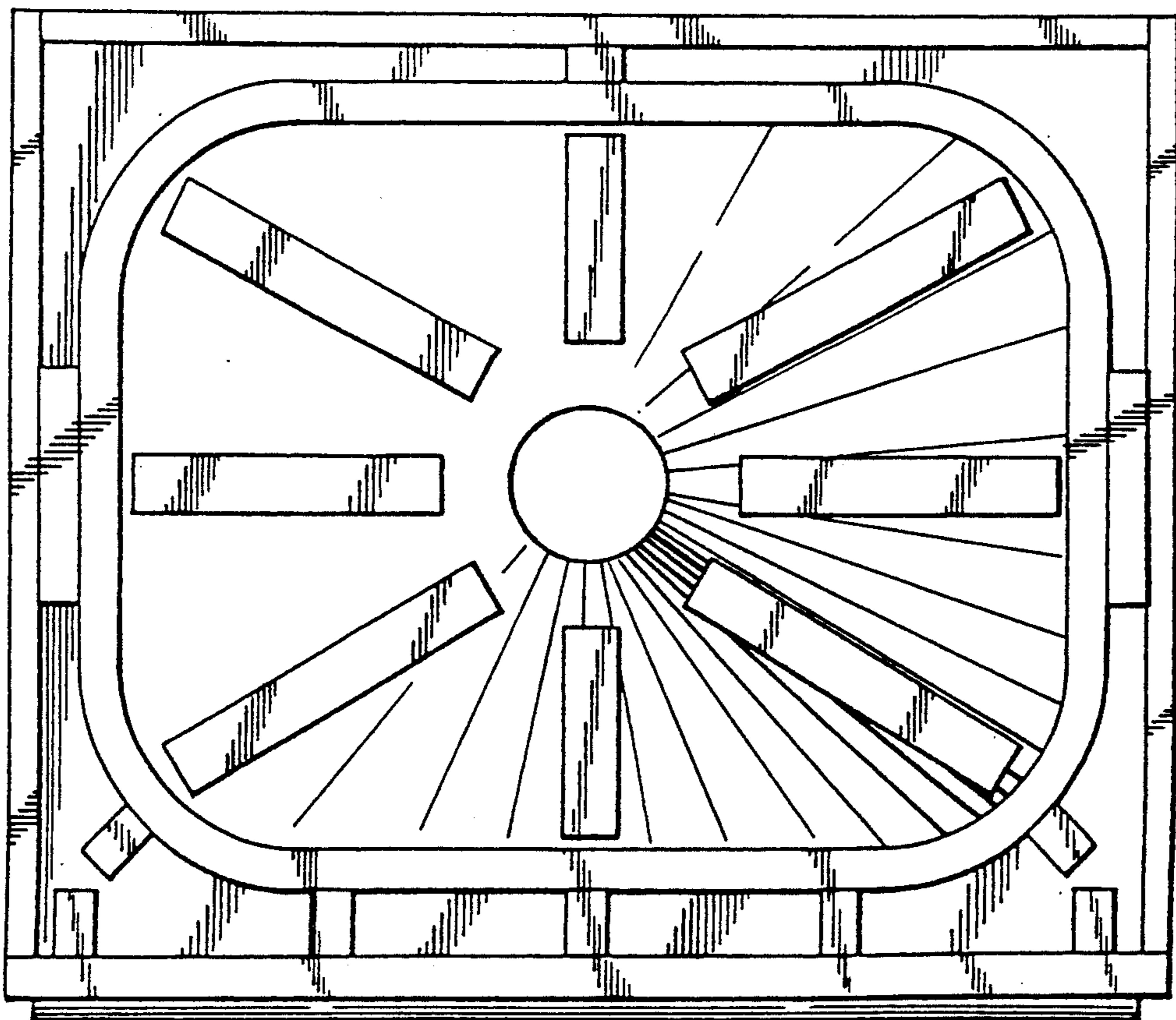
D. 206,220	11/1966	Flores	.....	D23/283
D. 244,535	5/1977	Doan	.....	D23/283
D. 255,829	7/1980	Swenson	.....	D23/283
1,017,167	2/1912	Pleins	.....	4/613
1,859,017	5/1932	Barce	.....	4/613
2,204,929	6/1940	Fairhurst	.....	4/611
2,484,240	10/1949	Morthland	.....	4/613
2,757,385	8/1956	Whittiek	.....	4/613



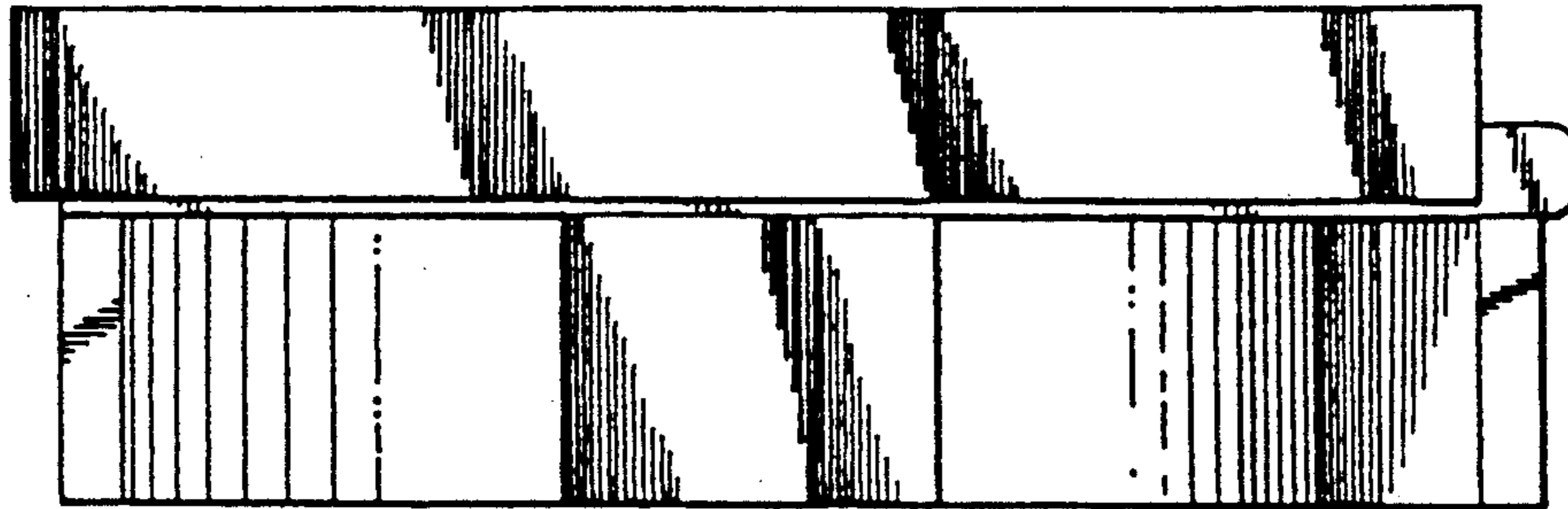
**FIG. 1**



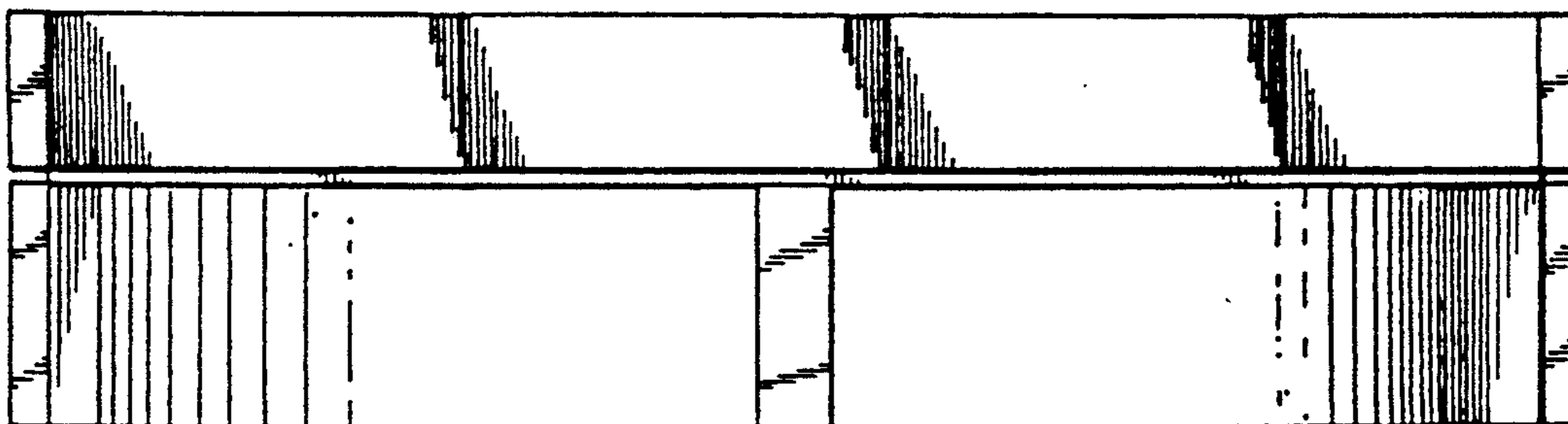
**FIG. 2**



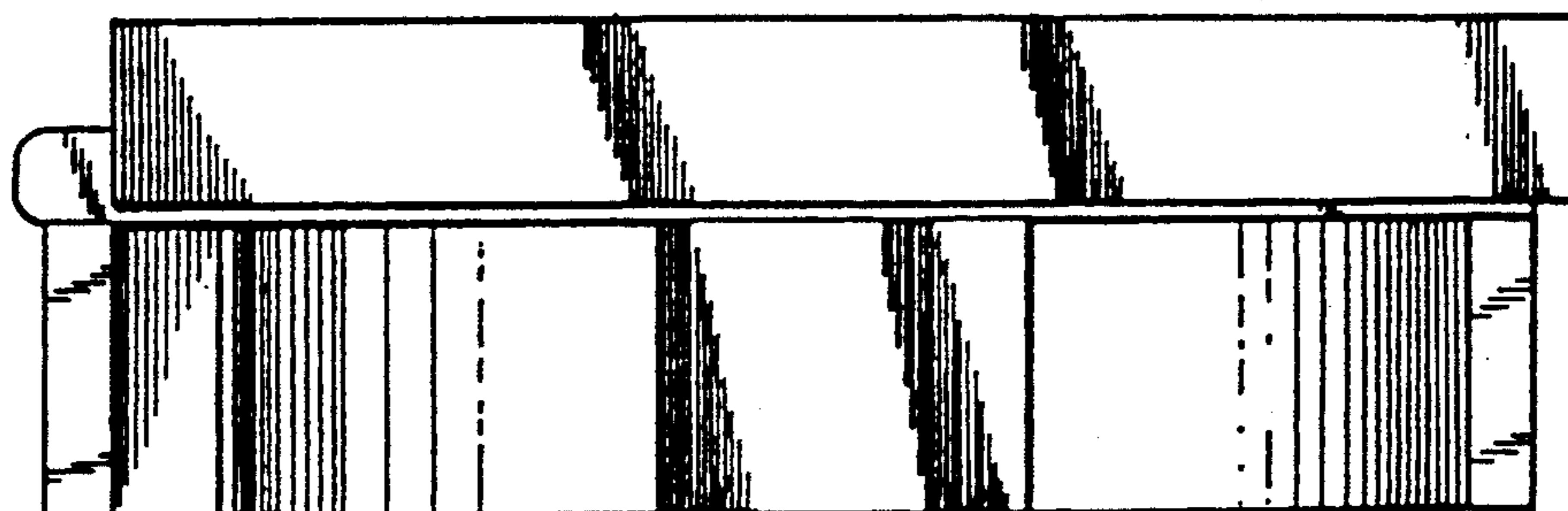
**FIG. 3**



**FIG. 4**



**FIG. 5**





**FIG. 6**



**FIG. 7**

