



US00D335331S

United States Patent [19]

[11] Patent Number: **Des. 335,331**

Weingarten

[45] Date of Patent: **** May 4, 1993**

[54] **DIAPHRAGM VALVE**

[75] Inventor: **Zvi Weingarten, DoarNa Oshrat, Israel**

[73] Assignee: **Bermad, Registered Partnership, Oshrat, Israel**

[**] Term: **14 Years**

[21] Appl. No.: **565,538**

[22] Filed: **Aug. 10, 1990**

D. 240,037 5/1976 Kemp et al. D23/248
 2,881,795 4/1959 Waldenmaier et al. 251/331 X
 2,939,672 6/1960 Rich 251/5
 3,451,423 6/1969 Priese 251/331 X
 4,181,151 1/1980 Ensign 251/61.1 X
 4,624,442 11/1986 Duffy et al. 251/331 X
 4,827,974 5/1989 Coulter 251/61.1 X

Primary Examiner—James R. Largen
Attorney, Agent, or Firm—Benjamin J. Barish

[30] **Foreign Application Priority Data**
 Feb. 13, 1990 [IL] Israel 16176

[52] U.S. Cl. **D23/248**

[58] Field of Search **D23/233-237, D23/244-249; 251/6, 61.1, 331**

[57] CLAIM

The ornamental design of a diaphragm valve, as shown and described.

DESCRIPTION

FIG. 1 is a perspective view taken from the top, front and right end of a diaphragm valve showing my new design;

FIG. 2 is a rear elevational view thereof;

FIG. 3 is a front elevational view thereof;

FIG. 4 is a bottom plan view thereof;

FIG. 5 is a top plan view thereof;

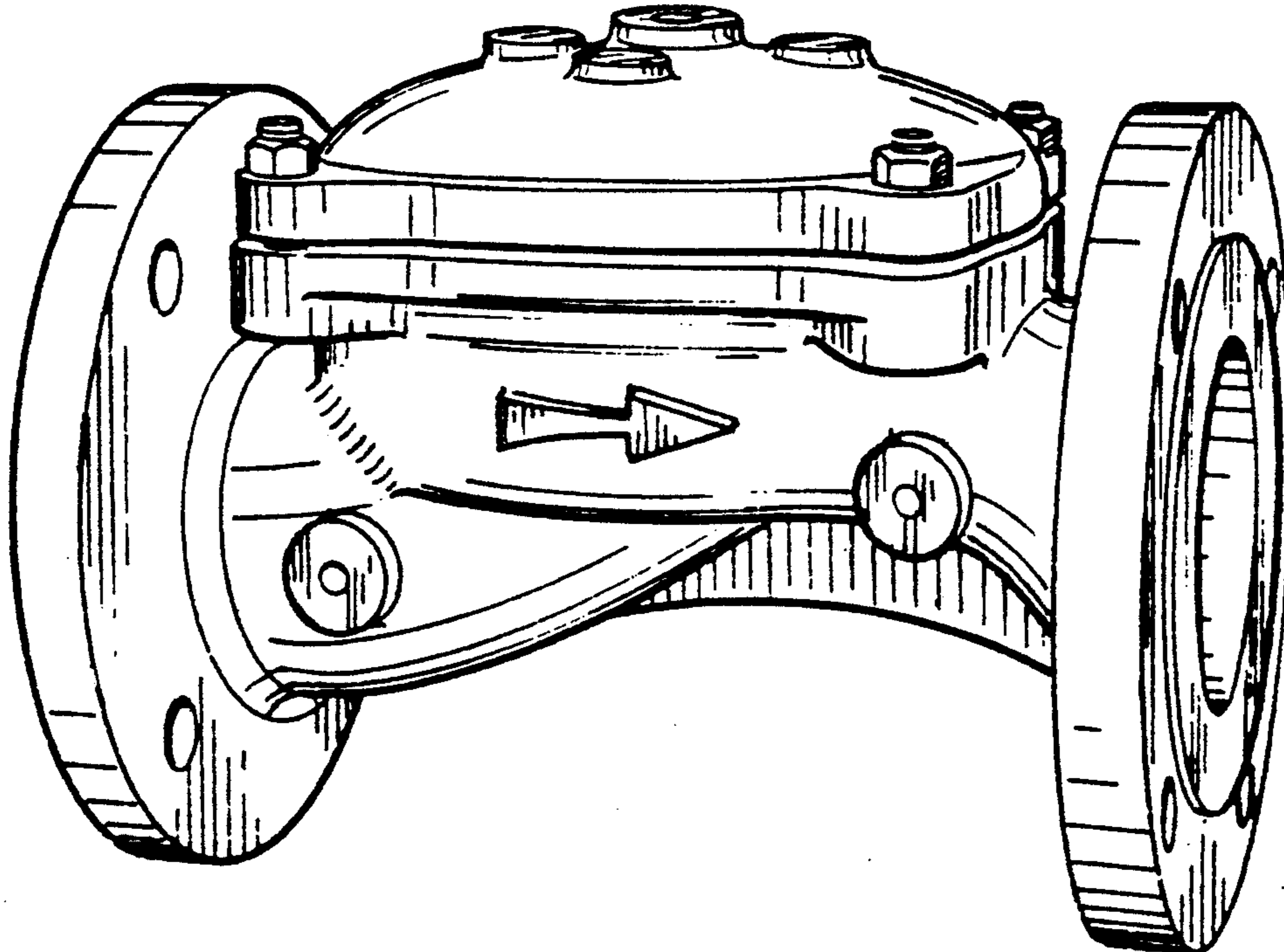
FIG. 6 is a right end elevational view thereof; and,

FIG. 7 is a left end elevational view thereof.

[56] **References Cited**

U.S. PATENT DOCUMENTS

D. 98,061 1/1936 Flodin D23/248
 D. 98,363 1/1936 Nordstrom D23/248
 D. 170,855 11/1953 Fox D23/248
 D. 213,104 1/1969 Townsend D23/233



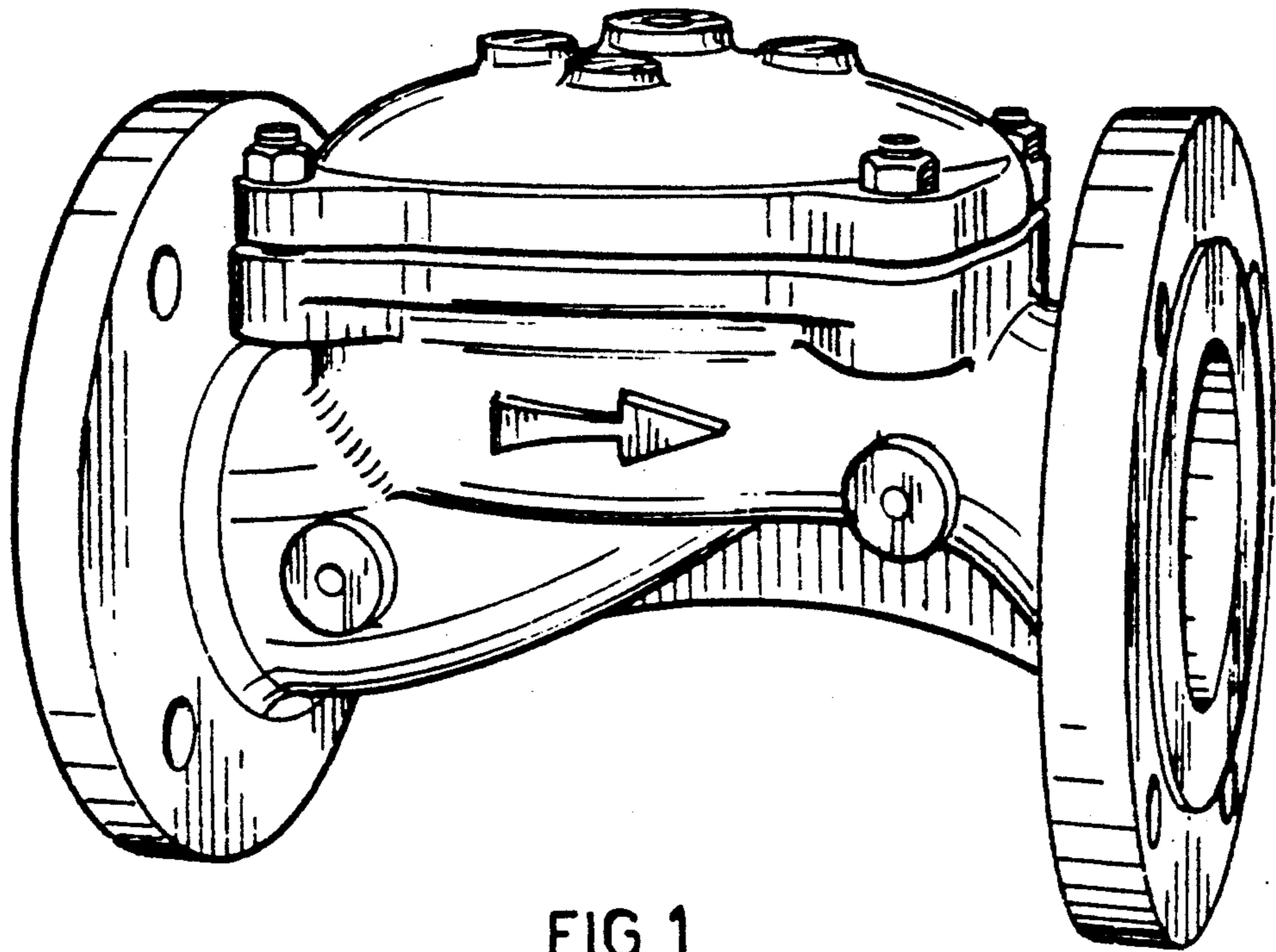


FIG 1

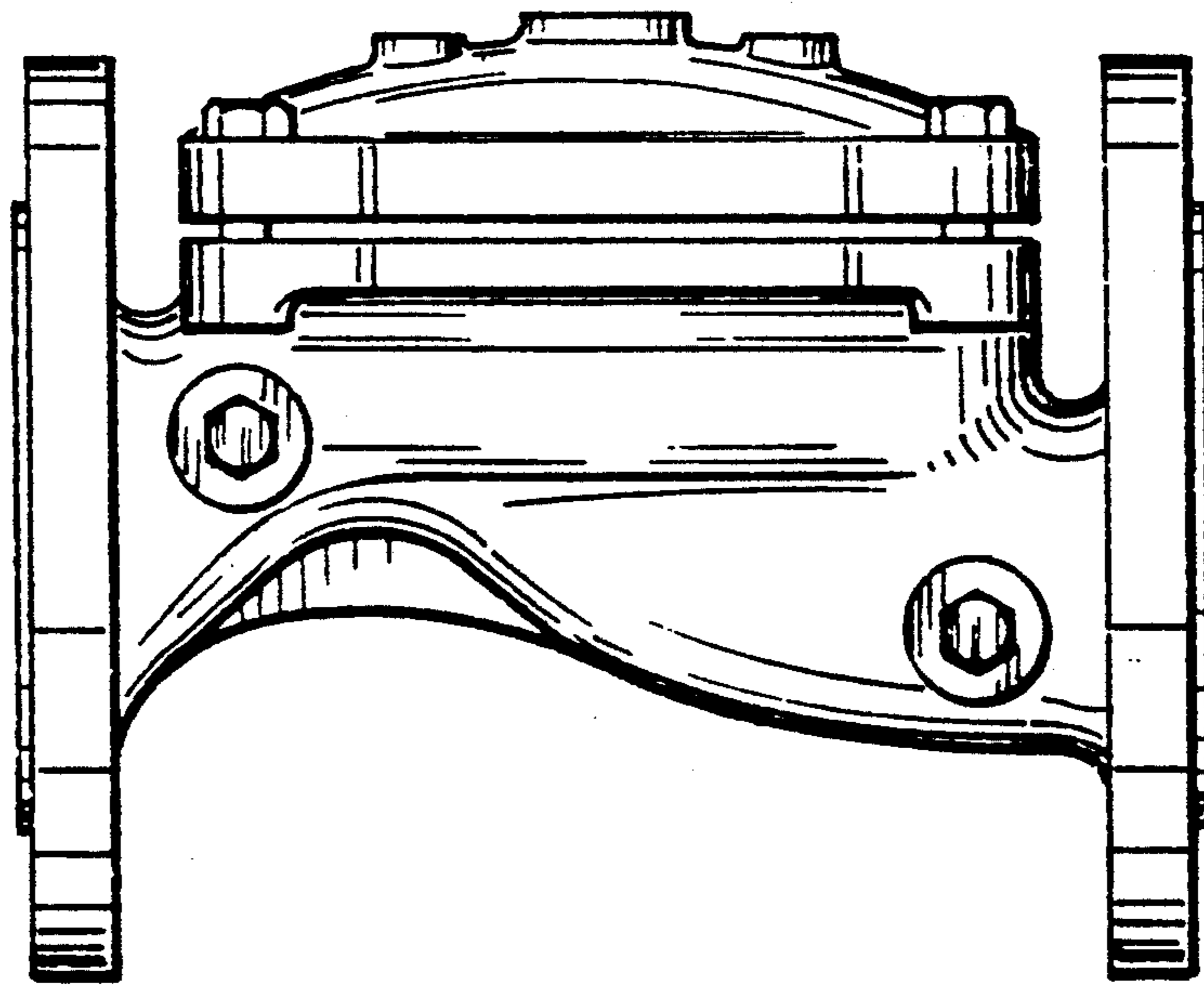


FIG 2

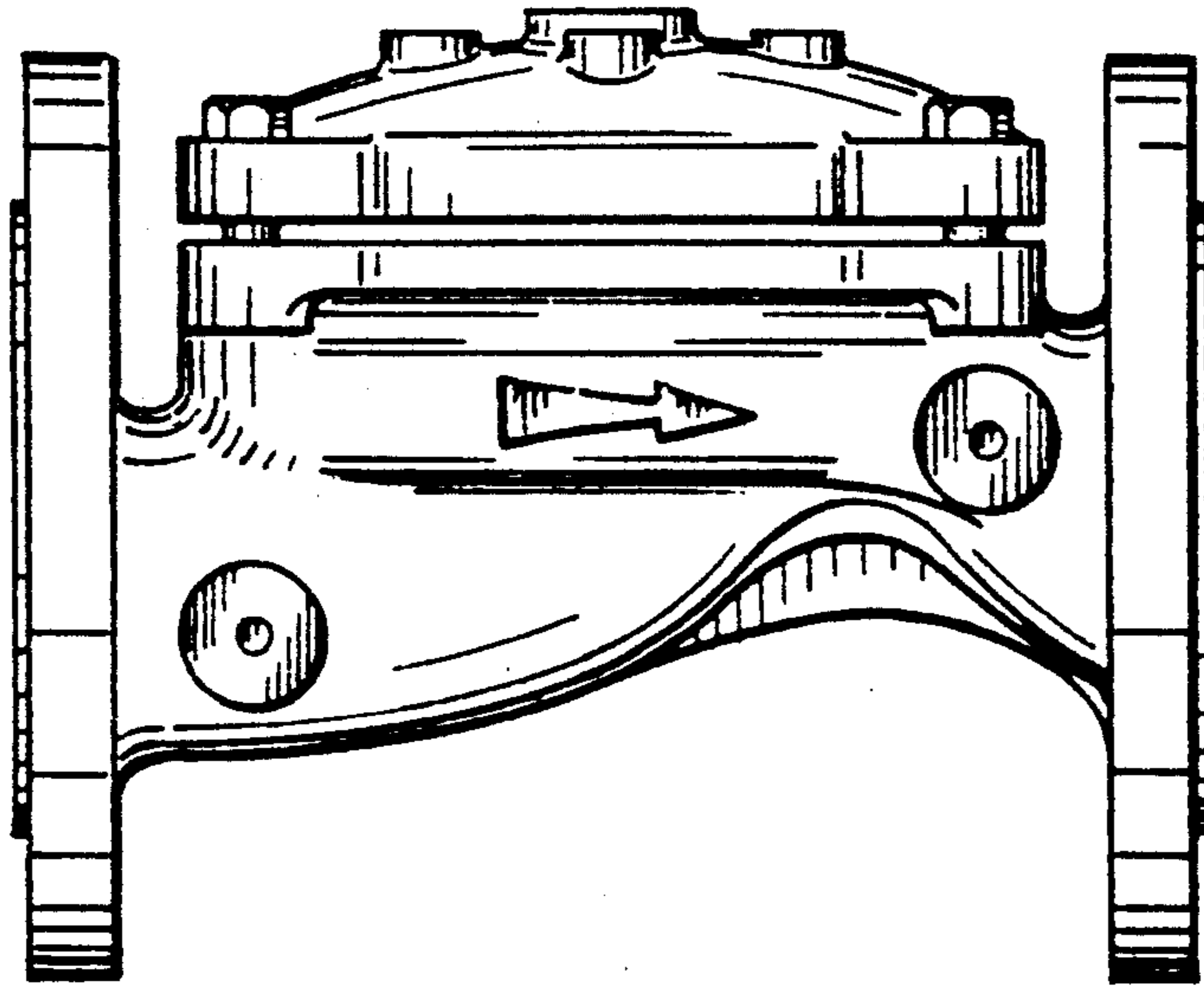


FIG 3

FIG 4

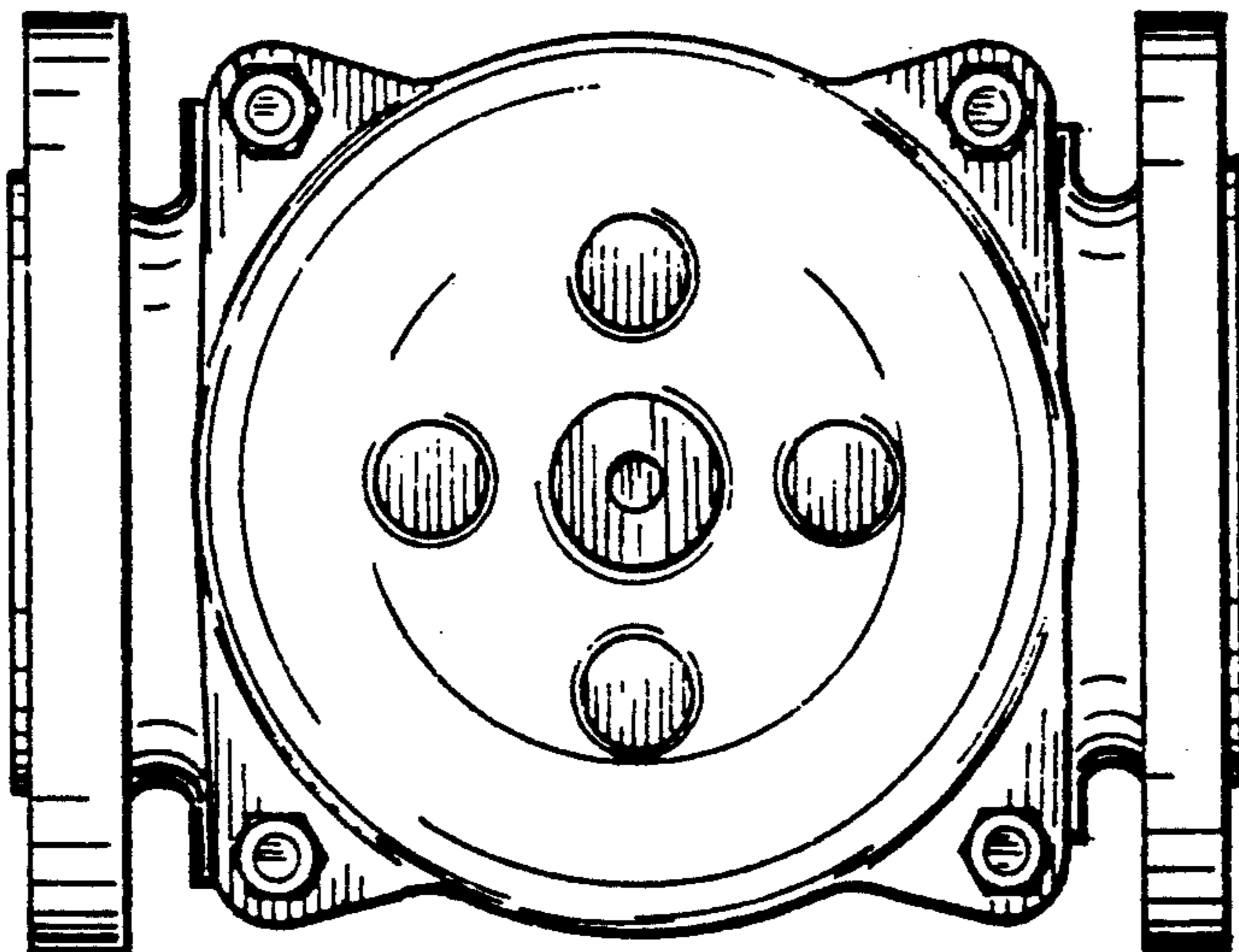
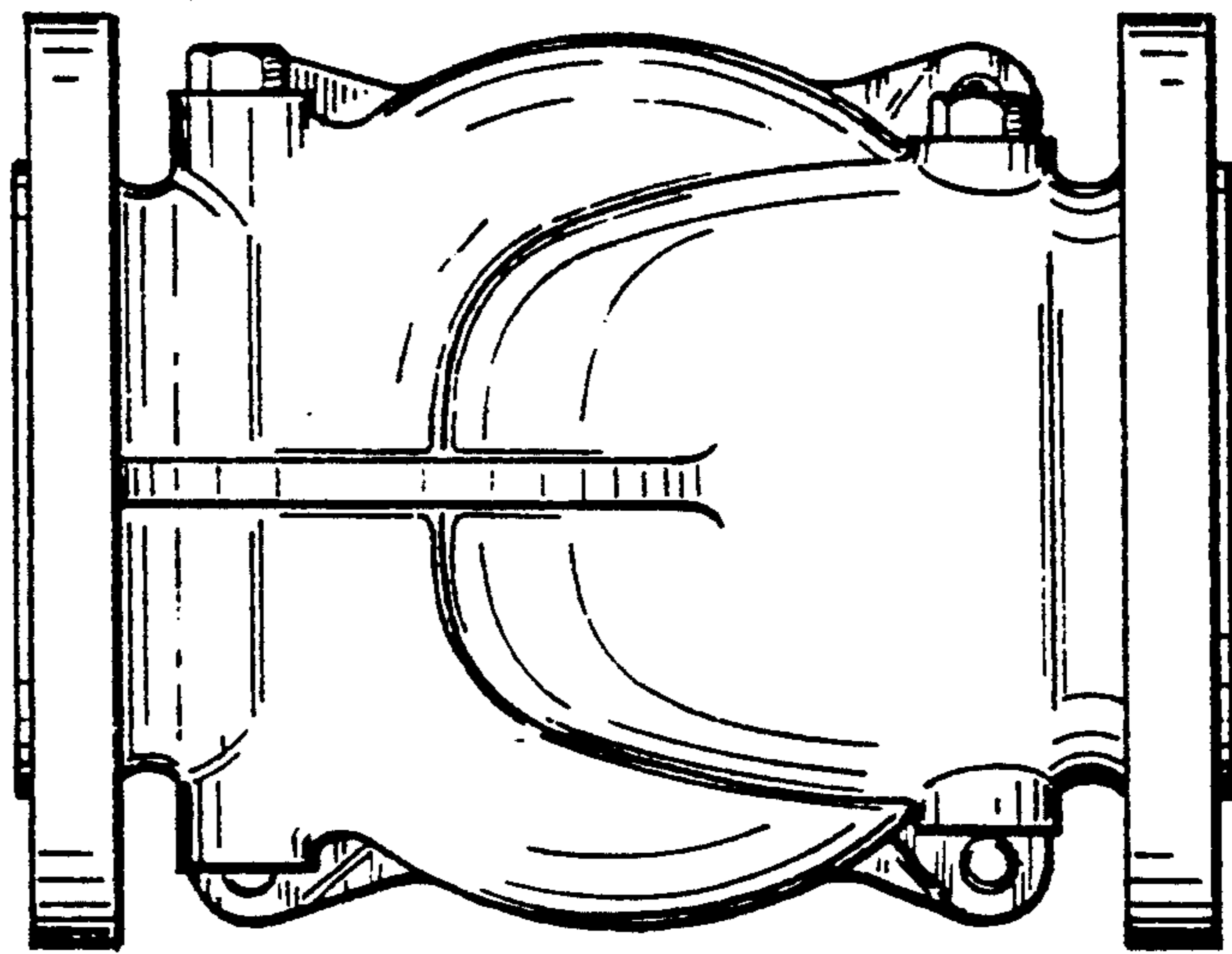


FIG 5

FIG 6

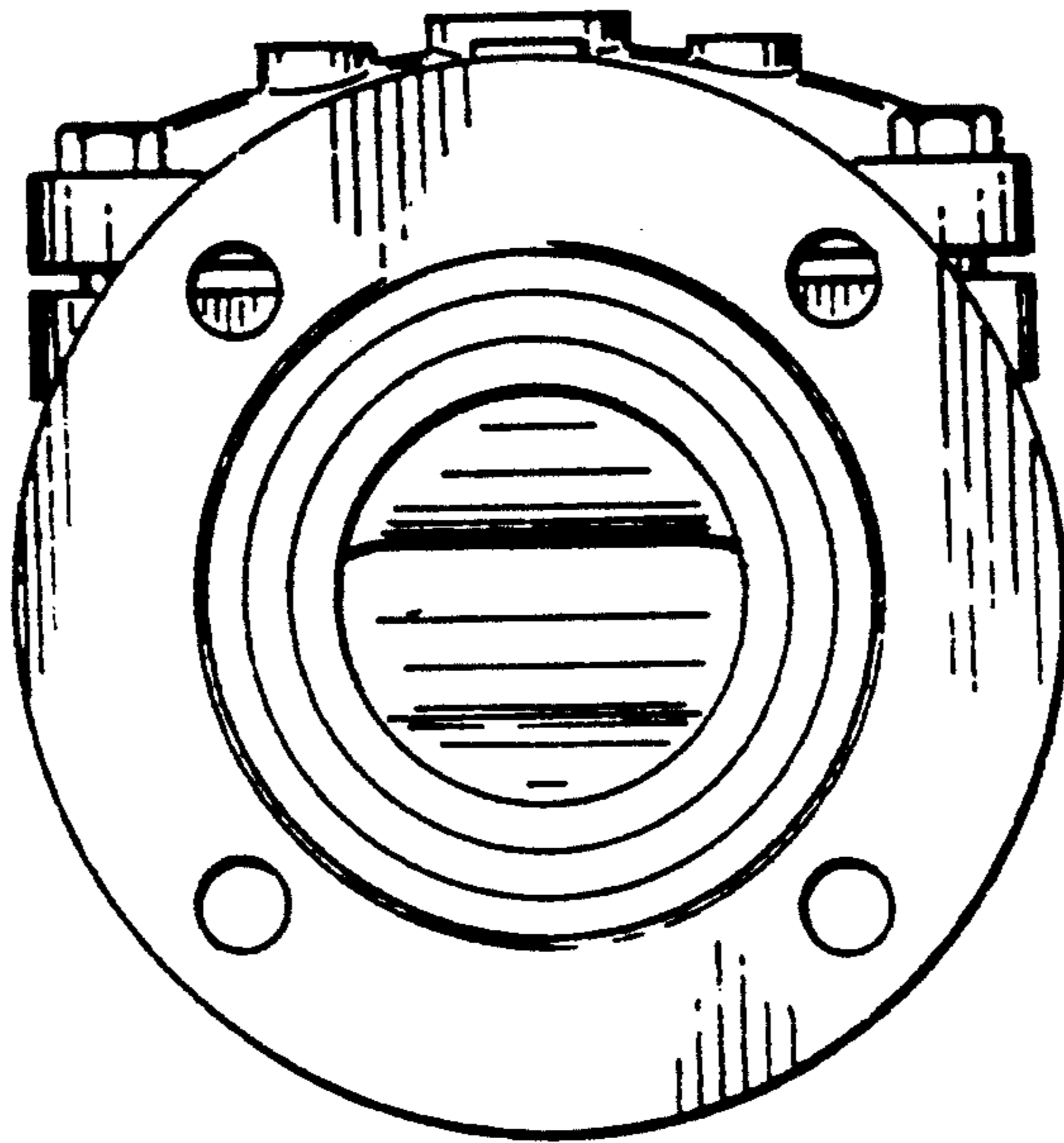


FIG 7

