



US00D335325S

United States Patent [19]

Morford

[11] Patent Number: **Des. 335,325**

[45] Date of Patent: **** May 4, 1993**

[54] **MOUSE TRAP**

[76] Inventor: **Marvin Morford**, 1815 Ashworth Rd., West Des Moines, Iowa 50265

[**] Term: **14 Years**

[21] Appl. No.: **626,851**

[22] Filed: **Dec. 11, 1990**

[52] U.S. Cl. **D22/119**

[58] Field of Search **D22/119, 120, 122; 43/58, 62, 61, 60, 107, 114, 121, 131, 132.1, 135, 82, 83, 77, 69**

4,337,592 7/1982 Hasegawa 43/113
4,413,439 11/1983 Lindley D22/119 X
4,682,441 7/1987 Straver 43/61

Primary Examiner—A. Hugo Word
Assistant Examiner—Doris V. Coles
Attorney, Agent, or Firm—James D. Birkenholz

[57] CLAIM

The ornamental design for a mouse trap, as shown and described.

DESCRIPTION

FIG. 1 is a perspective view of a mouse trap, showing my new design;

FIG. 2 is a top plan view thereof;

FIG. 3 is a rear elevational view thereof;

FIG. 4 is a right side elevational view thereof;

FIG. 5 is a left side elevational view thereof;

FIG. 6 is a front elevational view thereof; and,

FIG. 7 is a bottom plan view thereof.

[56] References Cited

U.S. PATENT DOCUMENTS

D. 262,732 1/1982 Warren et al. D22/119
D. 320,833 10/1991 Lumsden D22/119
2,595,130 4/1952 Edwards 43/77
4,048,745 9/1977 Morford 43/69
4,074,456 2/1978 Tidwell 43/112

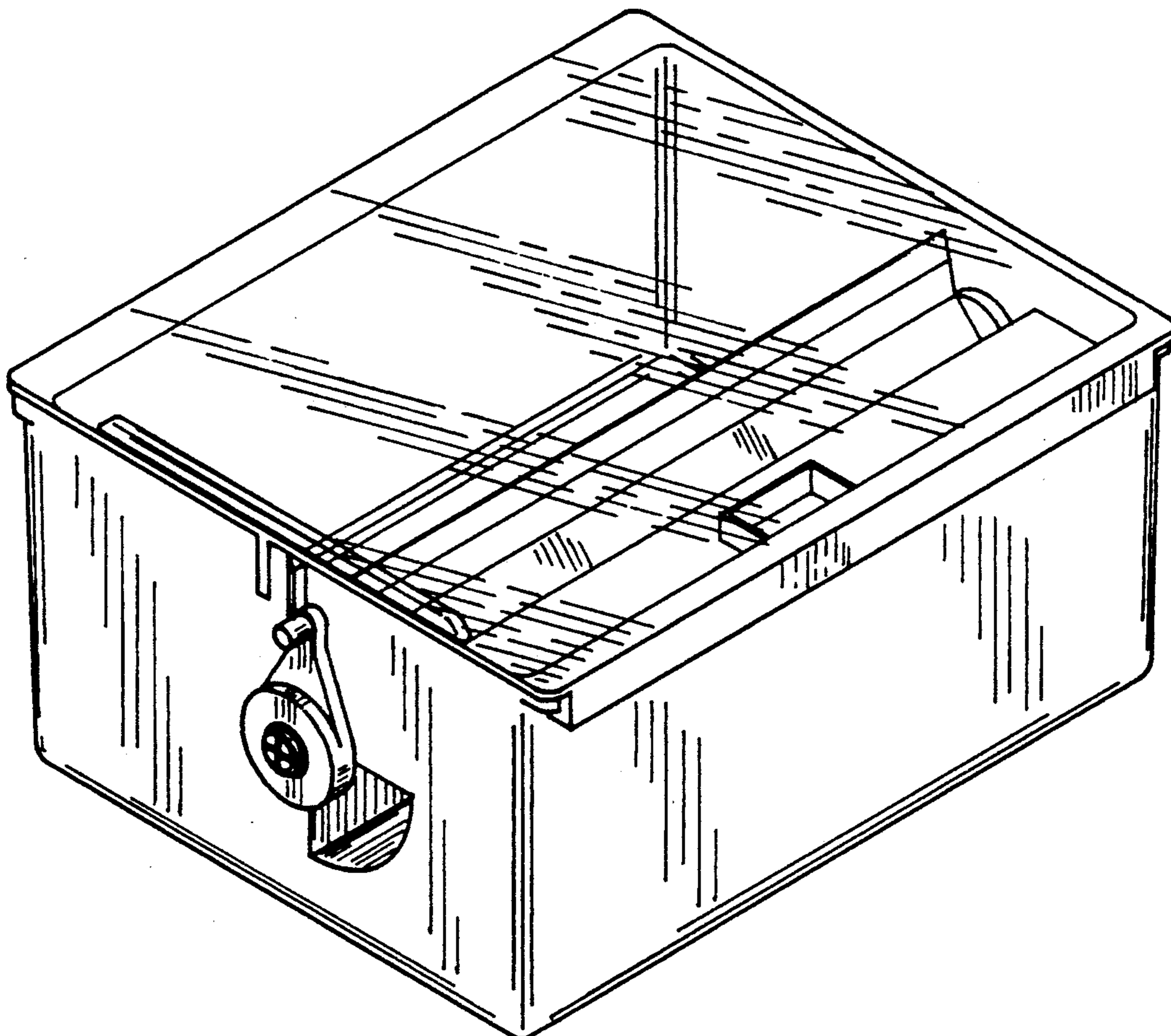


FIG. 1

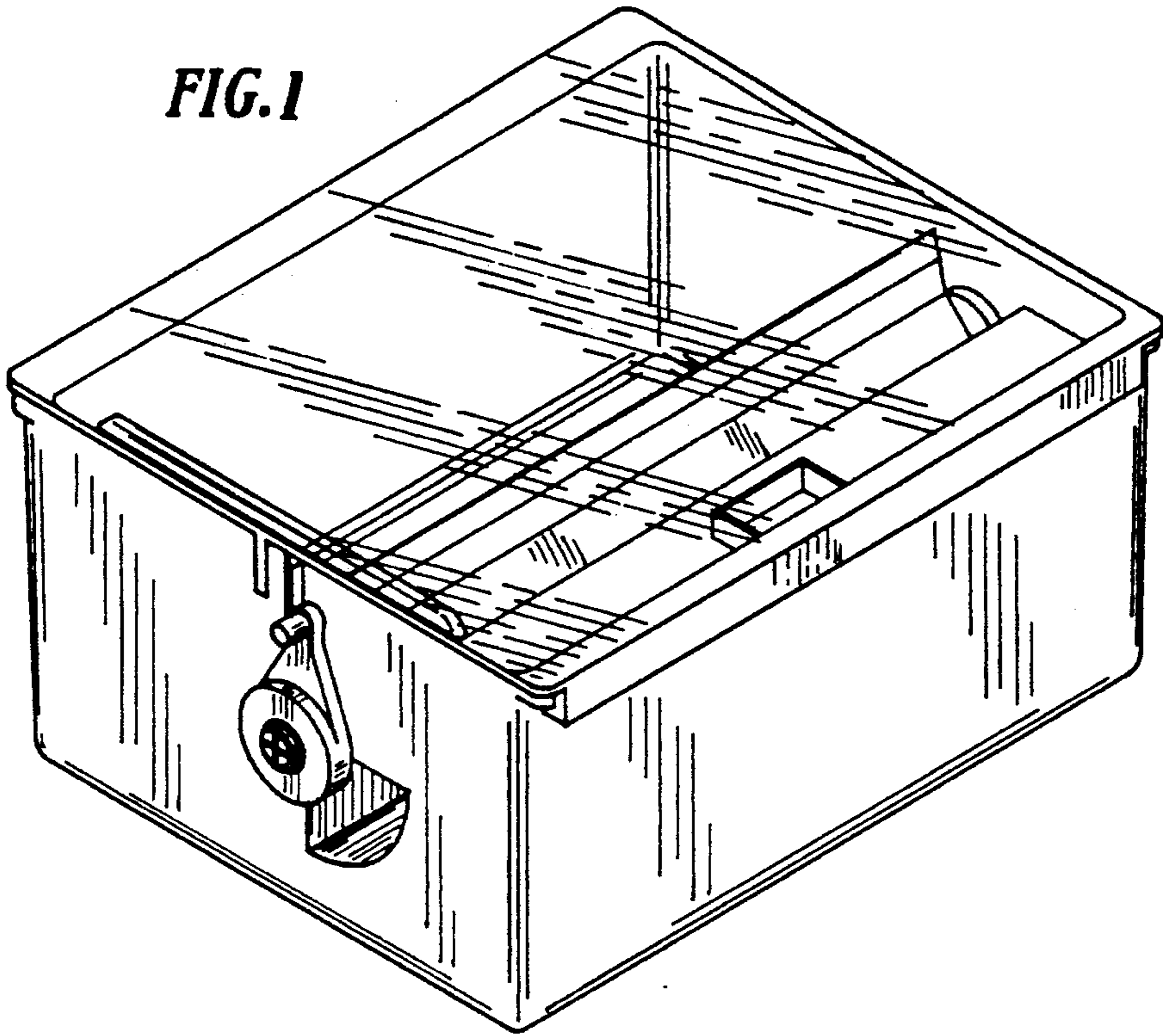


FIG. 2

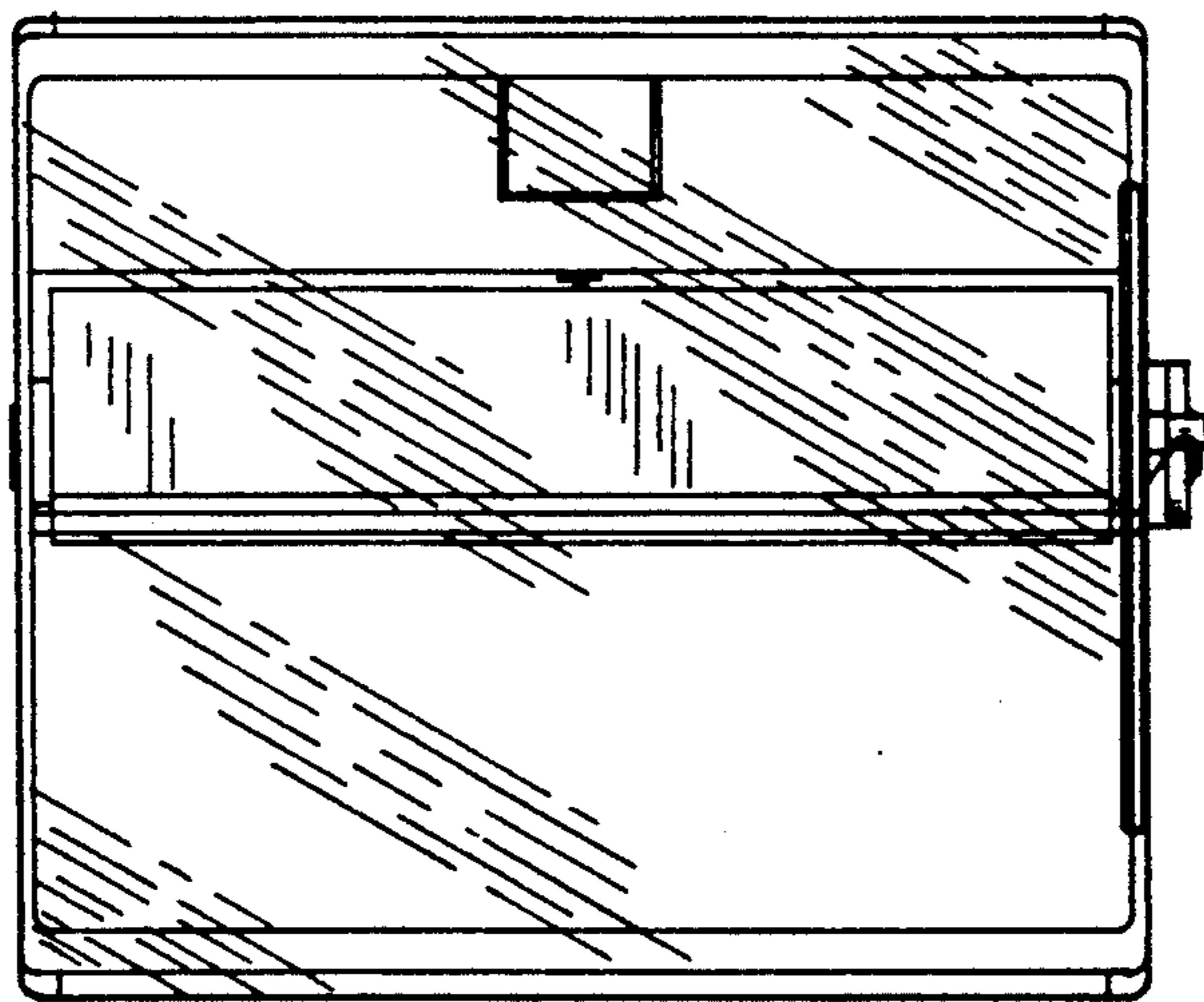


FIG. 3

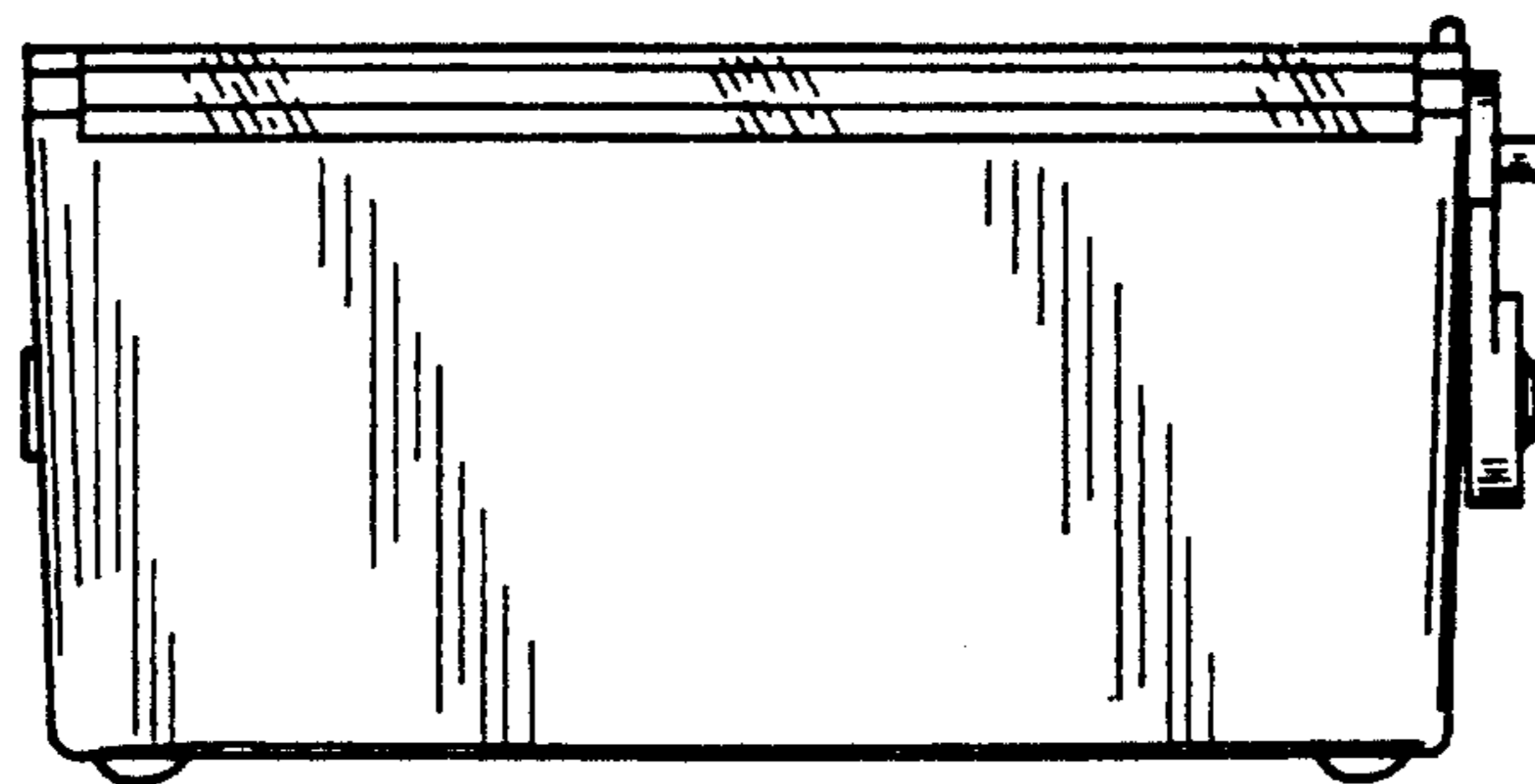


FIG. 4

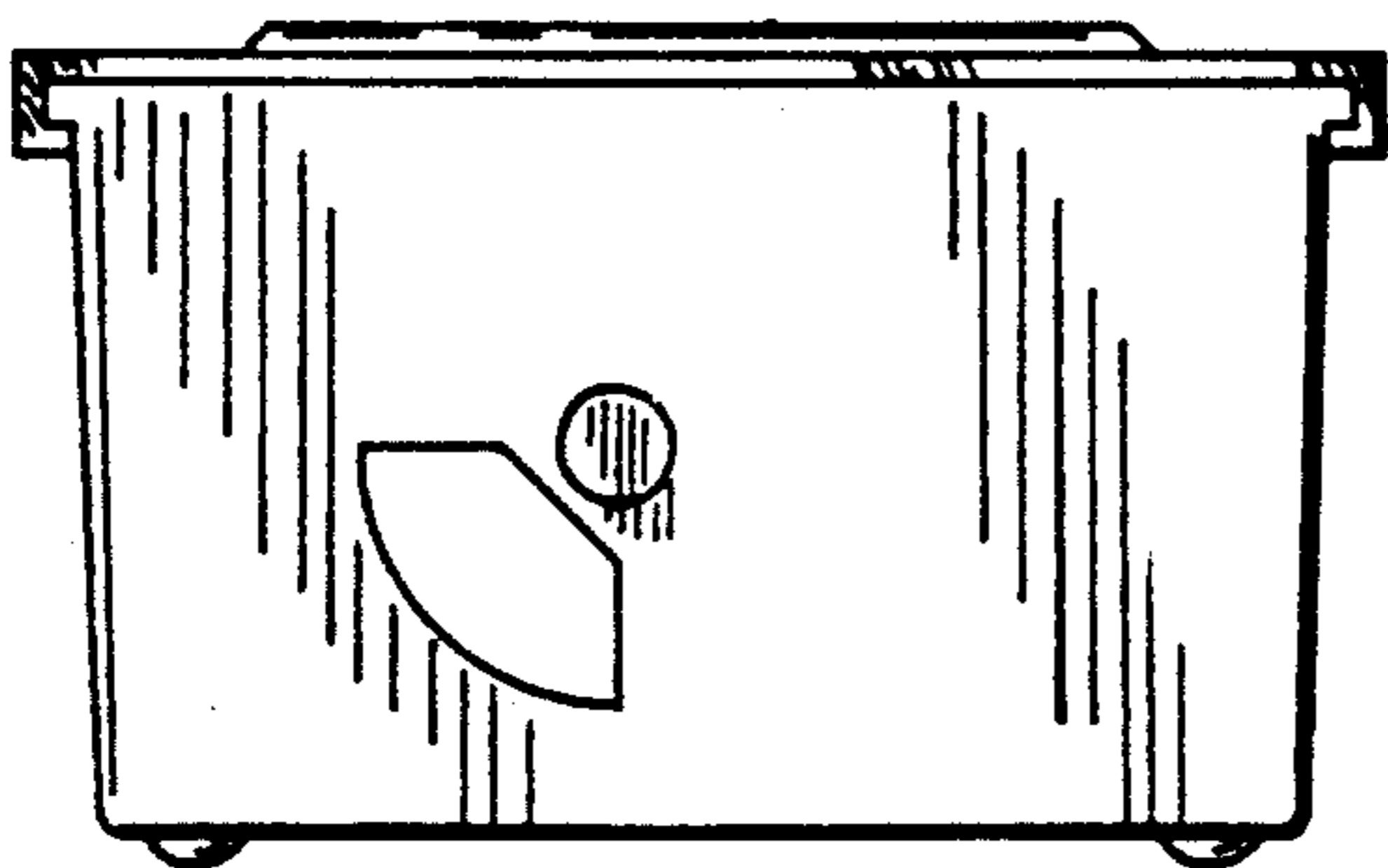


FIG. 5

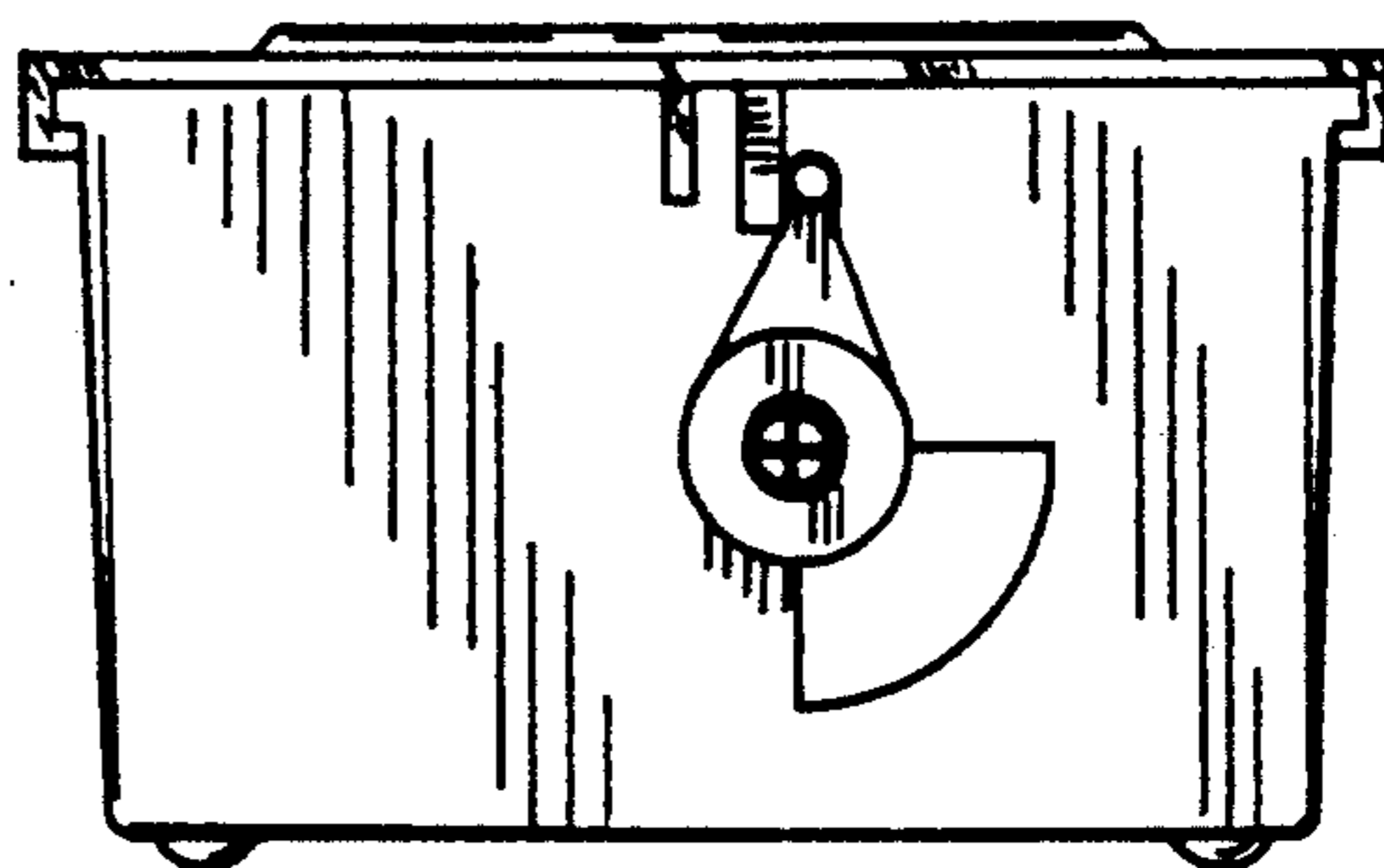


FIG. 6

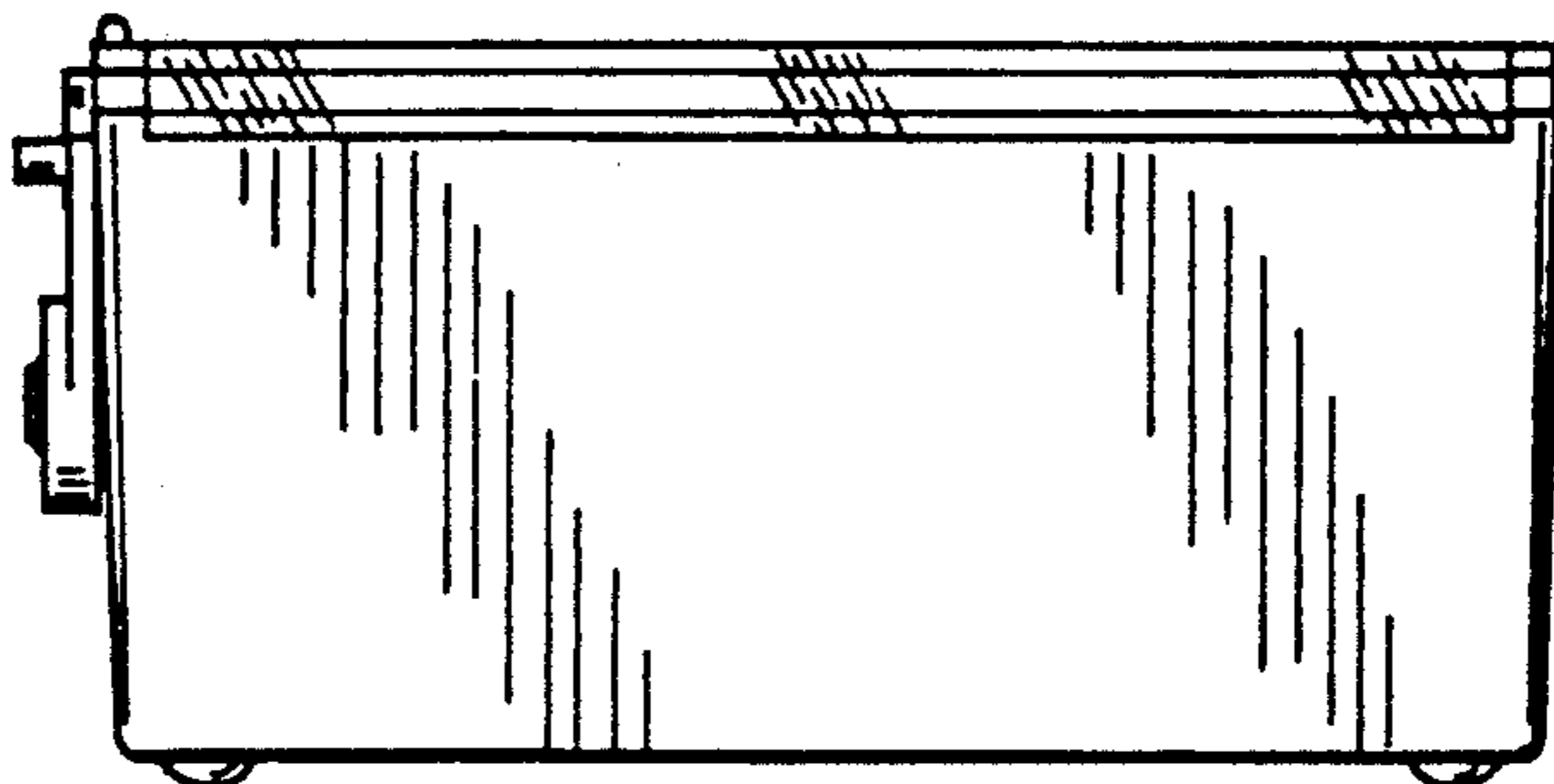


FIG. 7

