



US00D335319S

United States Patent [19]

[11] Patent Number: **Des. 335,319**

Shearer

[45] Date of Patent: **** May 4, 1993**

[54] **PUTTER HEAD**

D. 318,893 8/1991 Antonious D21/217

[76] Inventor: **William B. Shearer, 2905 W. Main St., Muncie, Ind. 47305**

OTHER PUBLICATIONS

Golf Digest, Jul. 22, 1988, p. 34, lower left corner, put-
ter, TPM Gold IV.

[**] Term: **14 Years**

Primary Examiner—Melvin B. Feifer
Attorney, Agent, or Firm—J. David Haynes

[21] Appl. No.: **637,755**

[22] Filed: **Jan. 4, 1991**

[57] CLAIM

[52] U.S. Cl. **D21/219**

The ornamental design for a putter head, as shown.

[58] Field of Search **D21/217, 219;**
273/164.1, 164.2, 167-175

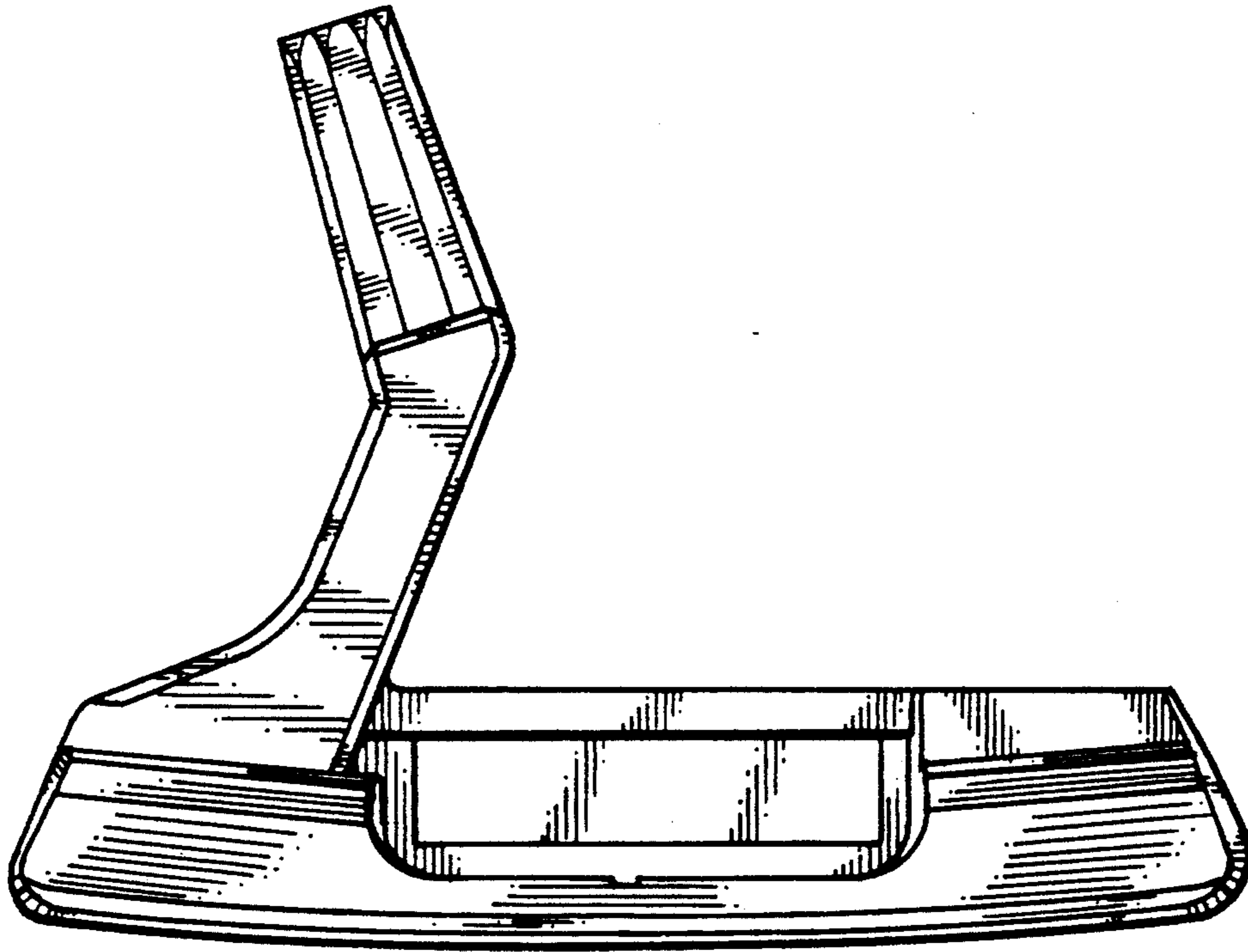
DESCRIPTION

[56] References Cited

U.S. PATENT DOCUMENTS

- D. 230,750 3/1974 Ehrich D21/217
- D. 270,852 10/1983 Mahaffey et al. D21/217
- D. 282,555 2/1986 Shearer D21/217
- D. 297,447 8/1988 Shearer D21/219
- D. 313,449 1/1991 Shearer D21/219

FIG. 1 is a rear perspective view of the putter head taken from the toe end showing my new design; FIG. 2 is a left side view of the putter head; FIG. 3 is a top view of the putter head; FIG. 4 is a bottom view of the putter head; FIG. 5 is a front view of the putter head; and, FIG. 6 is a rear view of the putter head.



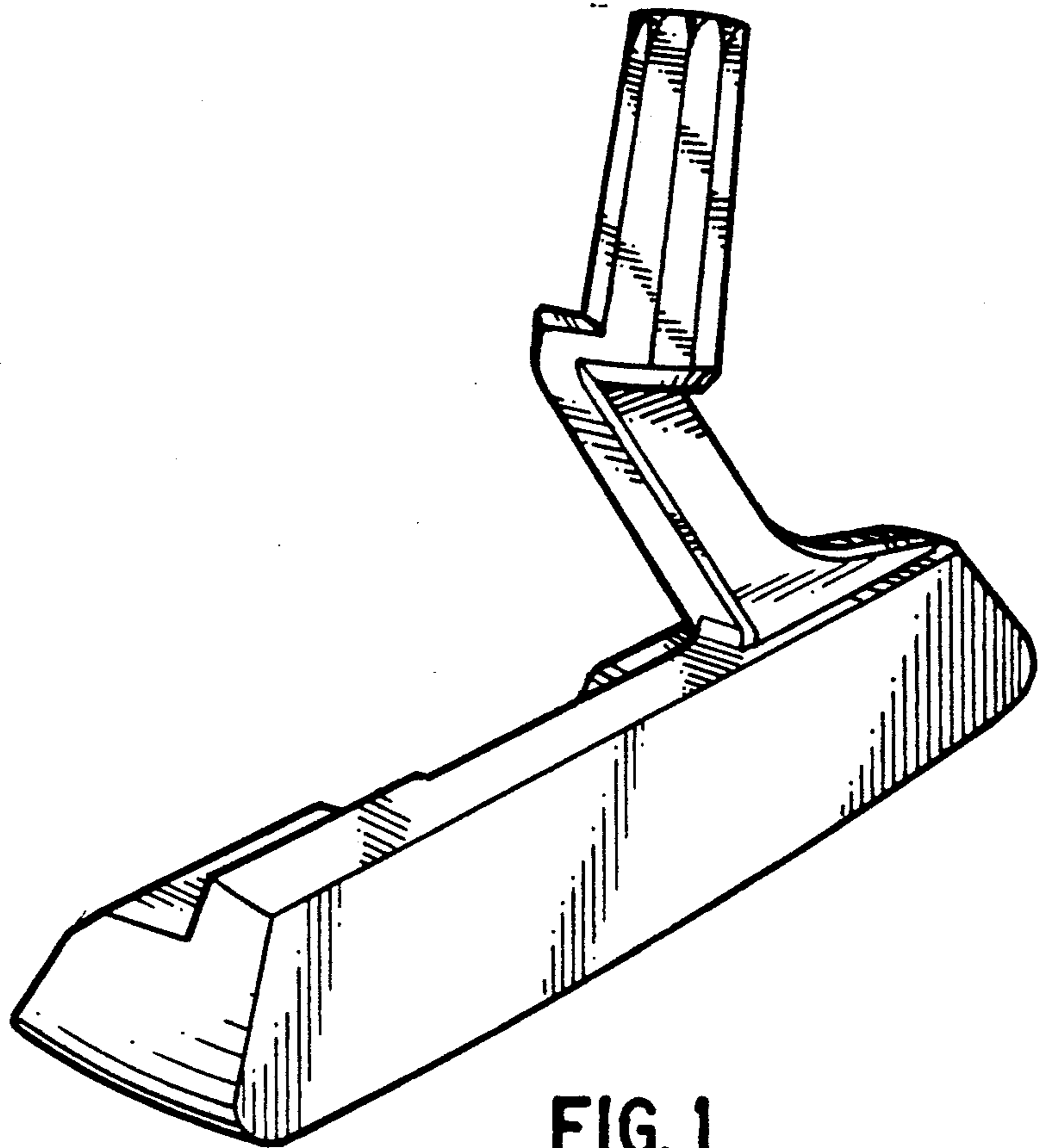


FIG. 1

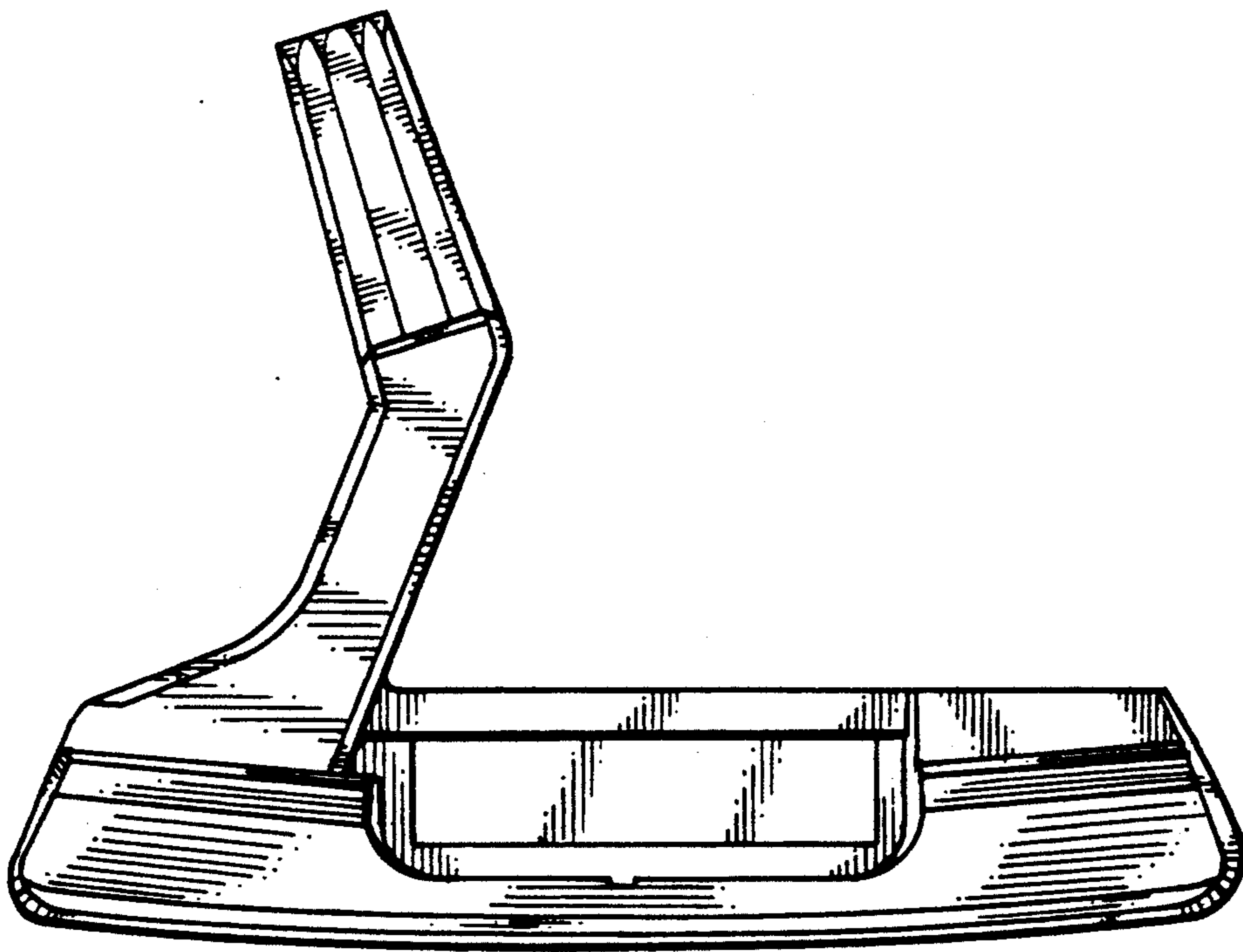


FIG. 2

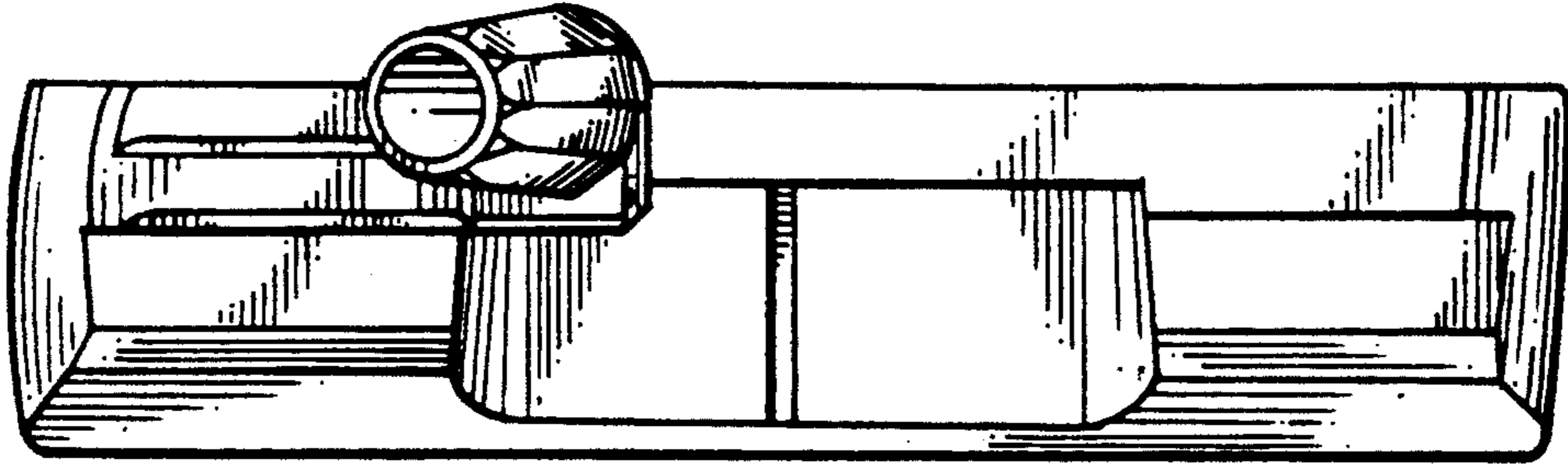


FIG. 3

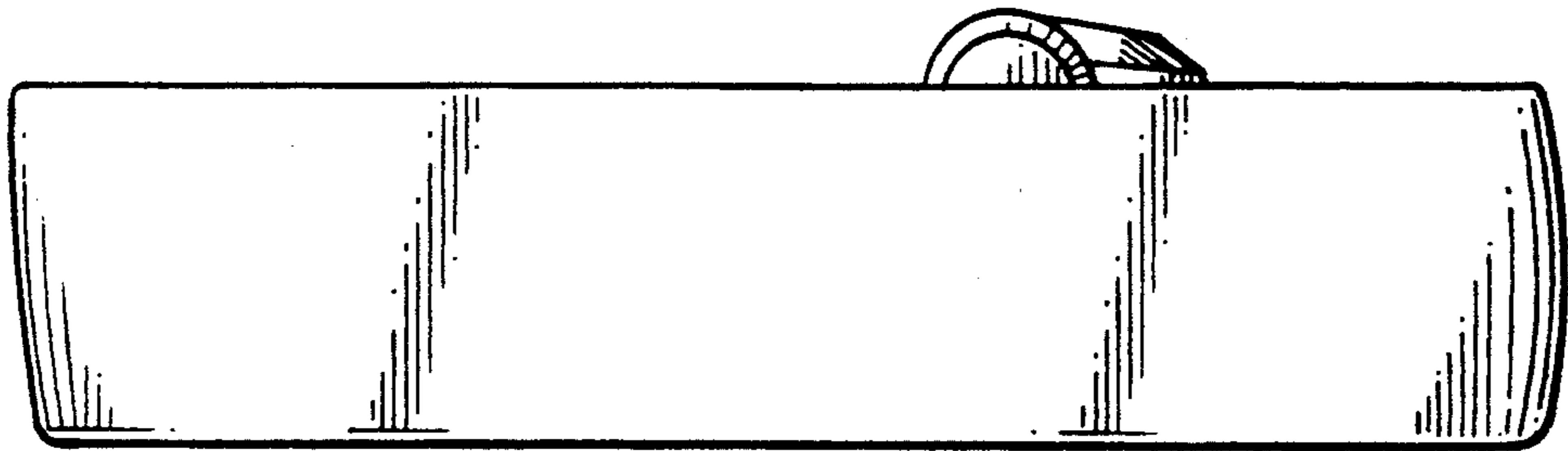


FIG. 4

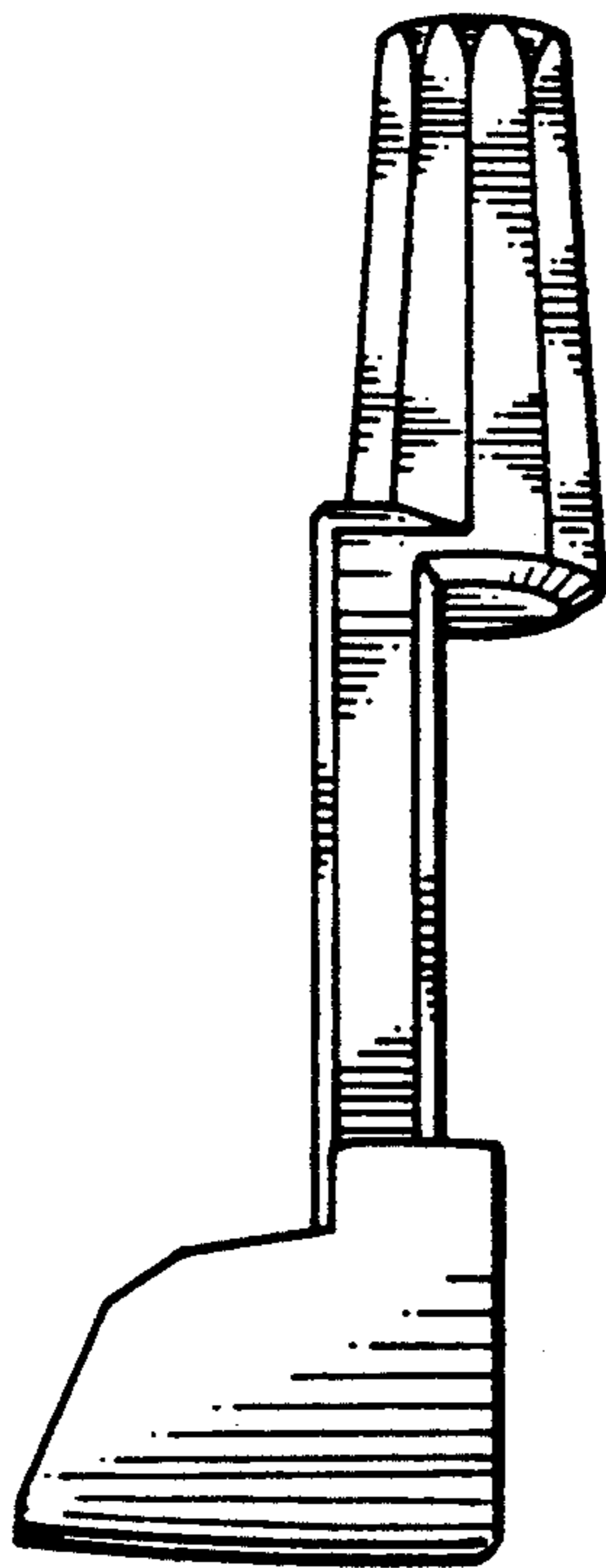


FIG. 5

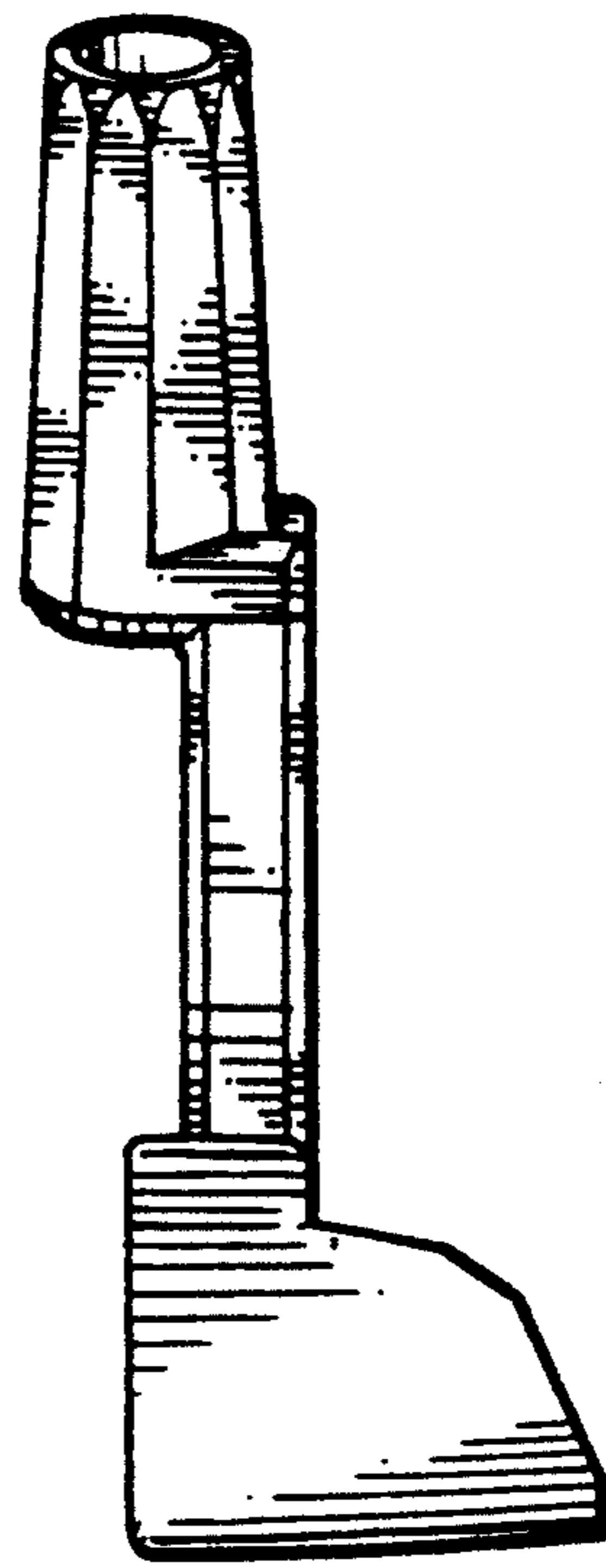


FIG. 6