



US00D335316S

# United States Patent [19]

[11] Patent Number: Des. 335,316

Shearer

[45] Date of Patent: \*\* May 4, 1993

[54] PUTTER HEAD

[76] Inventor: William B. Shearer, 2905 W. Main St., Muncie, Ind. 47305

[\*\*] Term: 14 Years

[21] Appl. No.: 637,510

[22] Filed: Jan. 4, 1991

[52] U.S. Cl. .... D21/219

[58] Field of Search ..... D21/217, 219;  
273/164.1, 164.2, 167-175

[56] **References Cited**

**U.S. PATENT DOCUMENTS**

- D. 230,750 3/1974 Ehrich ..... D21/217
- D. 270,852 10/1983 Mahaffey et al. .... D21/217

- D. 282,555 2/1986 Shearer ..... D21/217
- D. 297,447 8/1988 Shearer ..... D21/219
- D. 313,449 1/1991 Shearer ..... D21/219
- D. 318,893 8/1991 Antonious ..... D21/217

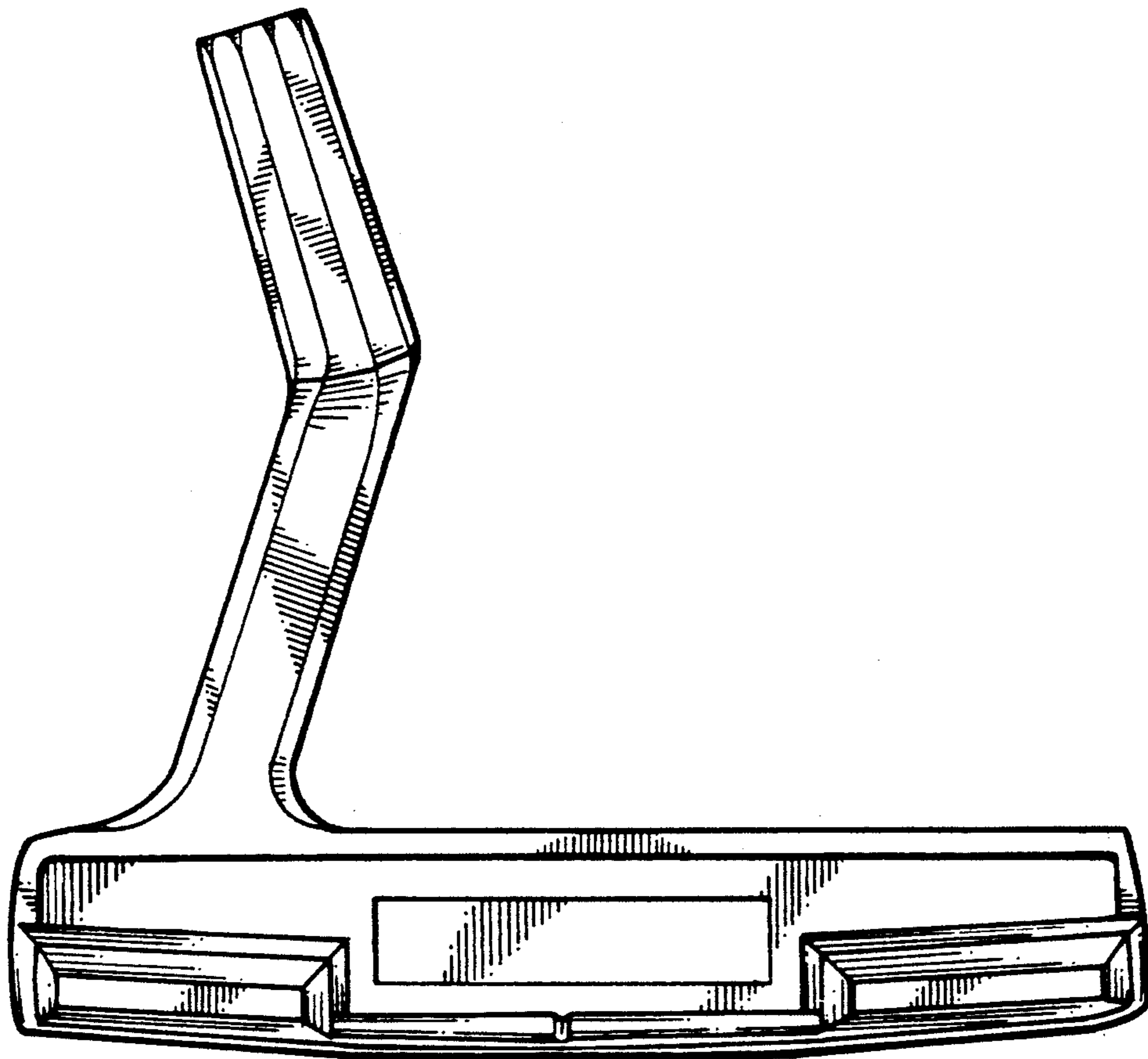
*Primary Examiner*—Melvin B. Feifer  
*Attorney, Agent, or Firm*—J. David Haynes

[57] **CLAIM**

The ornamental design for a putter head, as shown.

**DESCRIPTION**

FIG. 1 is a rear perspective view of the putter head taken from the toe end showing my new design; FIG. 2 is a left side view of the putter head; FIG. 3 is a top view of the putter head; FIG. 4 is a bottom view of the putter head; FIG. 5 is a front view of the putter head; and, FIG. 6 is a rear view of the putter head.



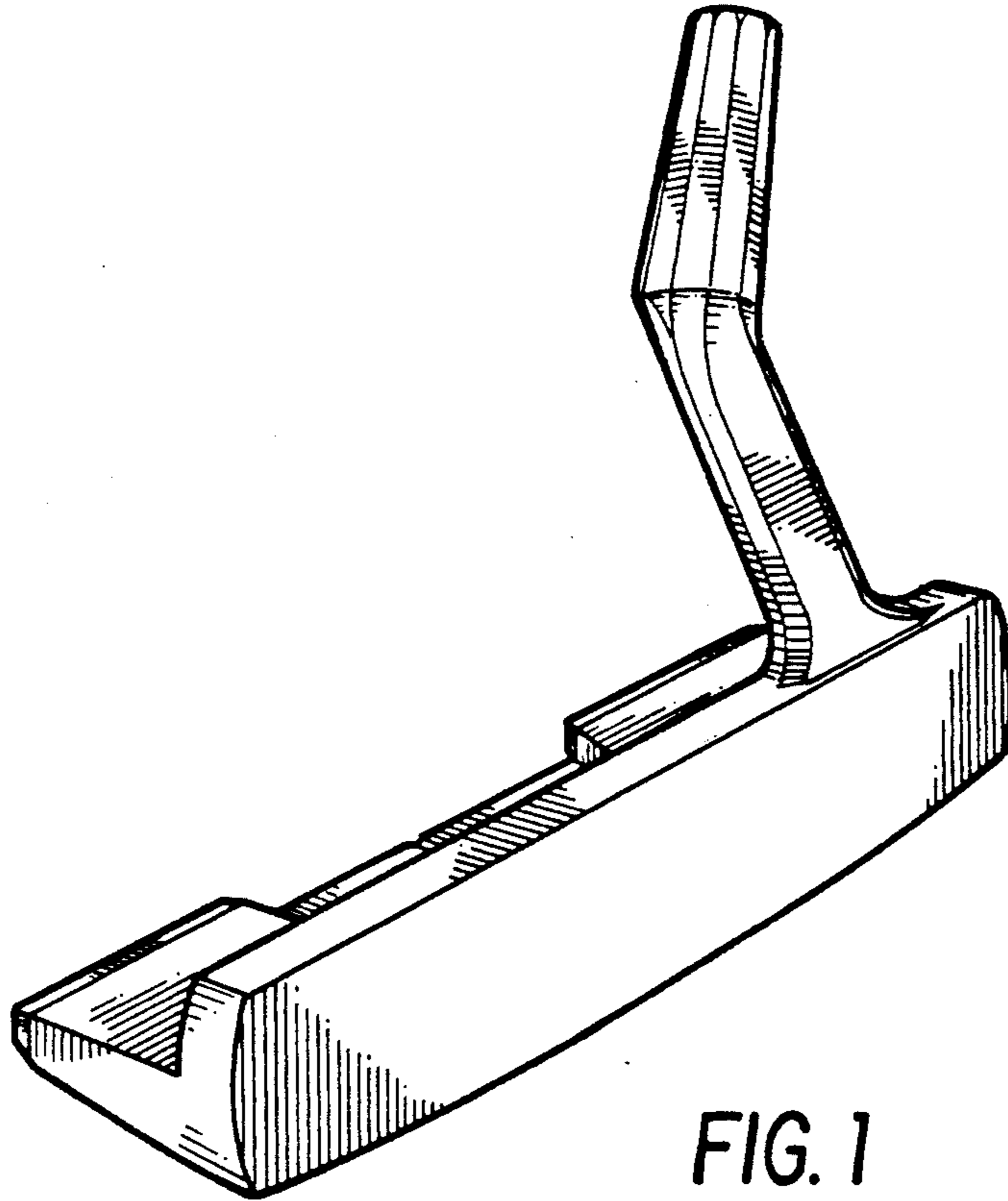


FIG. 1

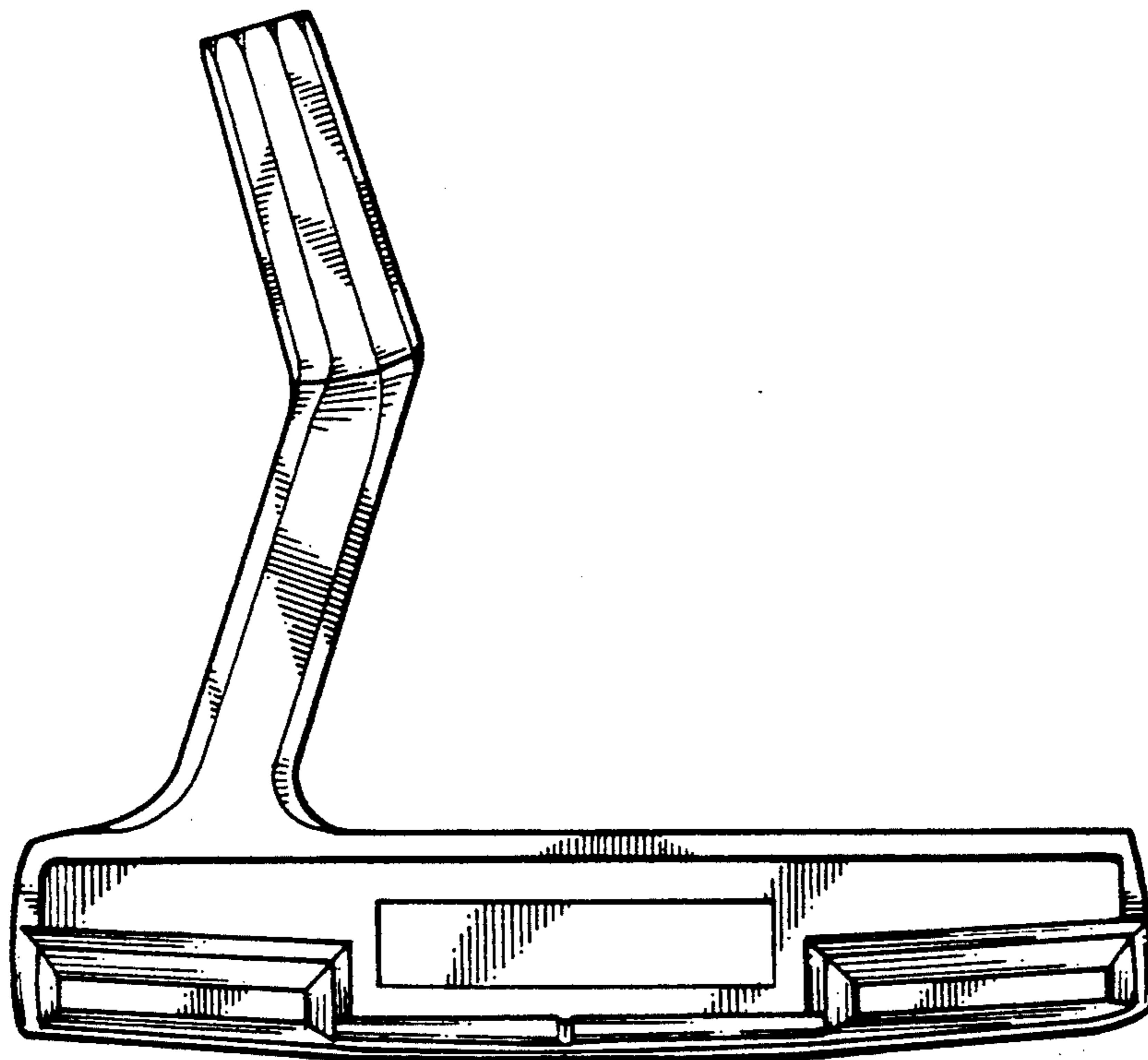


FIG. 2

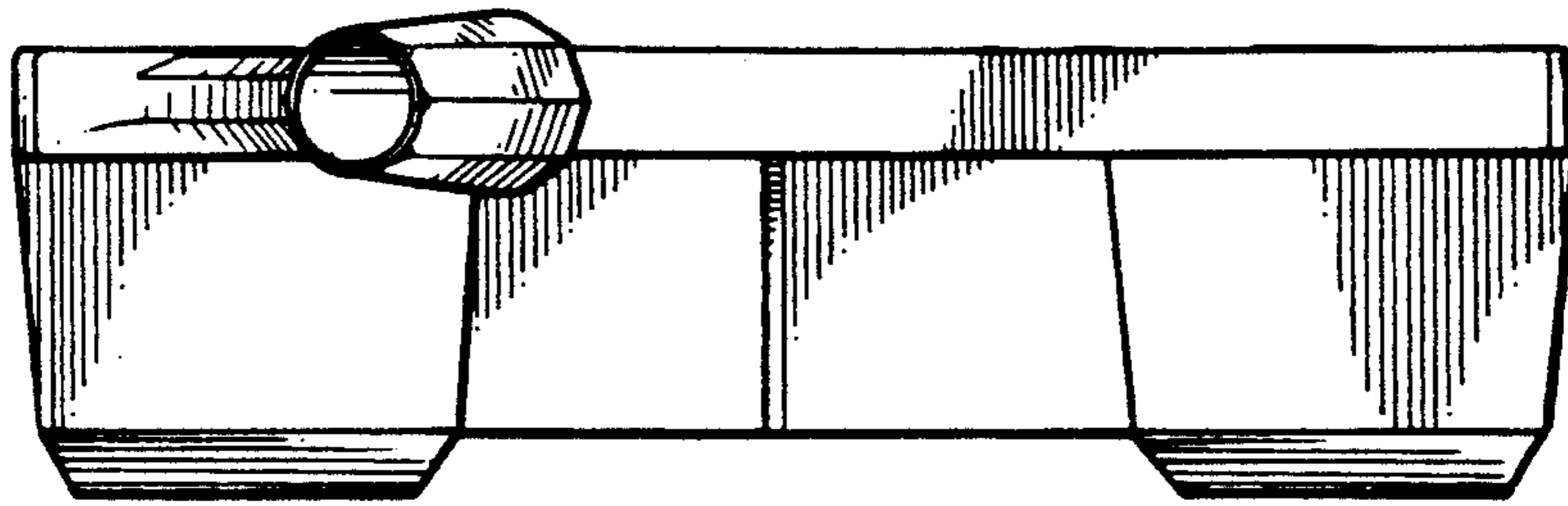


FIG. 3

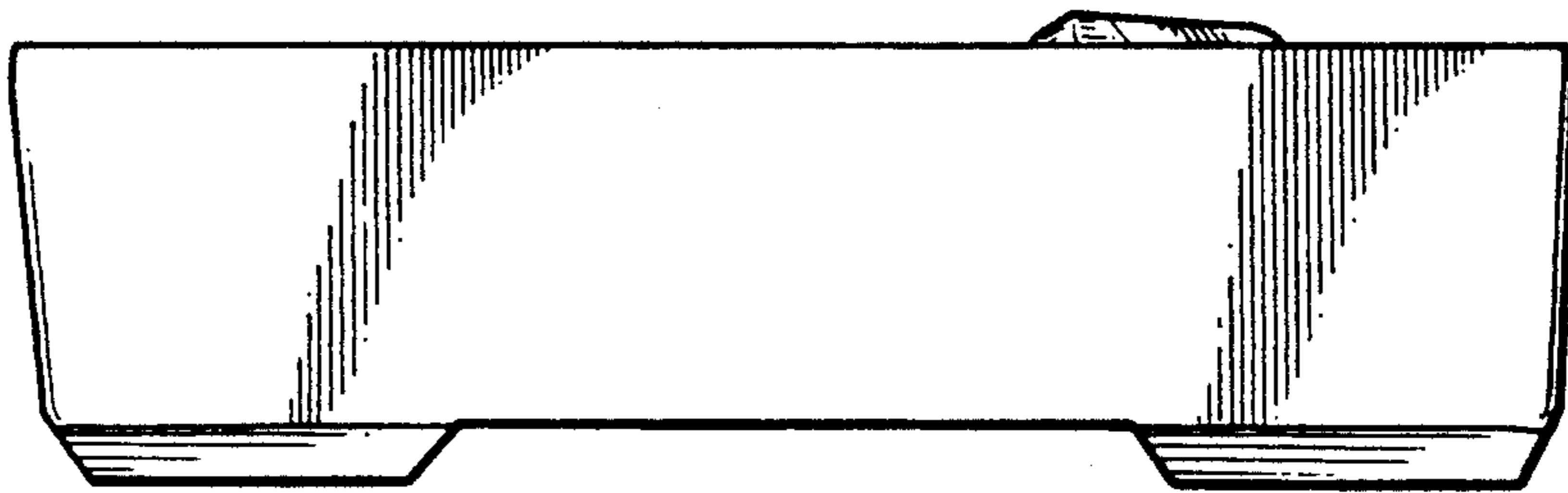


FIG. 4

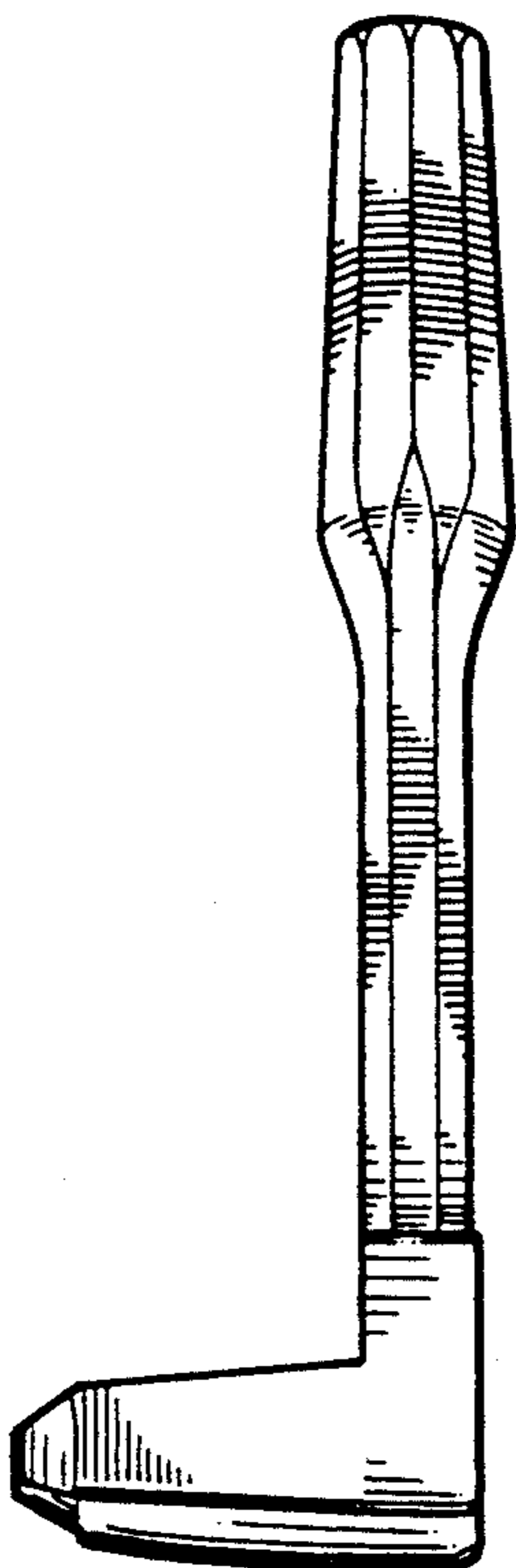


FIG. 5

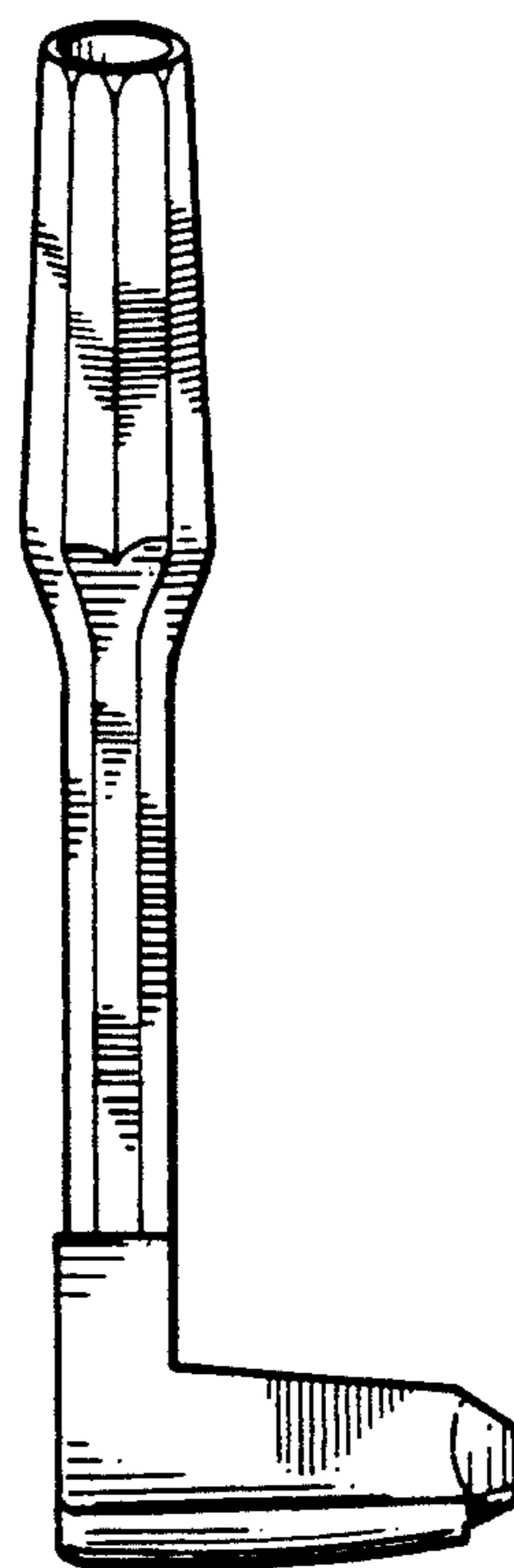


FIG. 6