



US00D335315S

United States Patent [19]

[11] Patent Number: **Des. 335,315**

Shearer

[45] Date of Patent: **** May 4, 1993**

[54] **PUTTER HEAD**

D. 282,555	2/1986	Shearer	D21/217
D. 297,447	8/1988	Shearer	D21/219
D. 313,449	1/1991	Shearer	D21/219

[76] Inventor: **William B. Shearer**, 2905 W. Main St., Muncie, Ind. 47305

Primary Examiner—Melvin B. Feifer
Attorney, Agent, or Firm—J. David Haynes

[**] Term: **14 Years**

[57] **CLAIM**

[21] Appl. No.: **637,508**

The ornamental design for a putter head, as shown.

[22] Filed: **Jan. 4, 1991**

DESCRIPTION

[52] U.S. Cl. **D21/219**

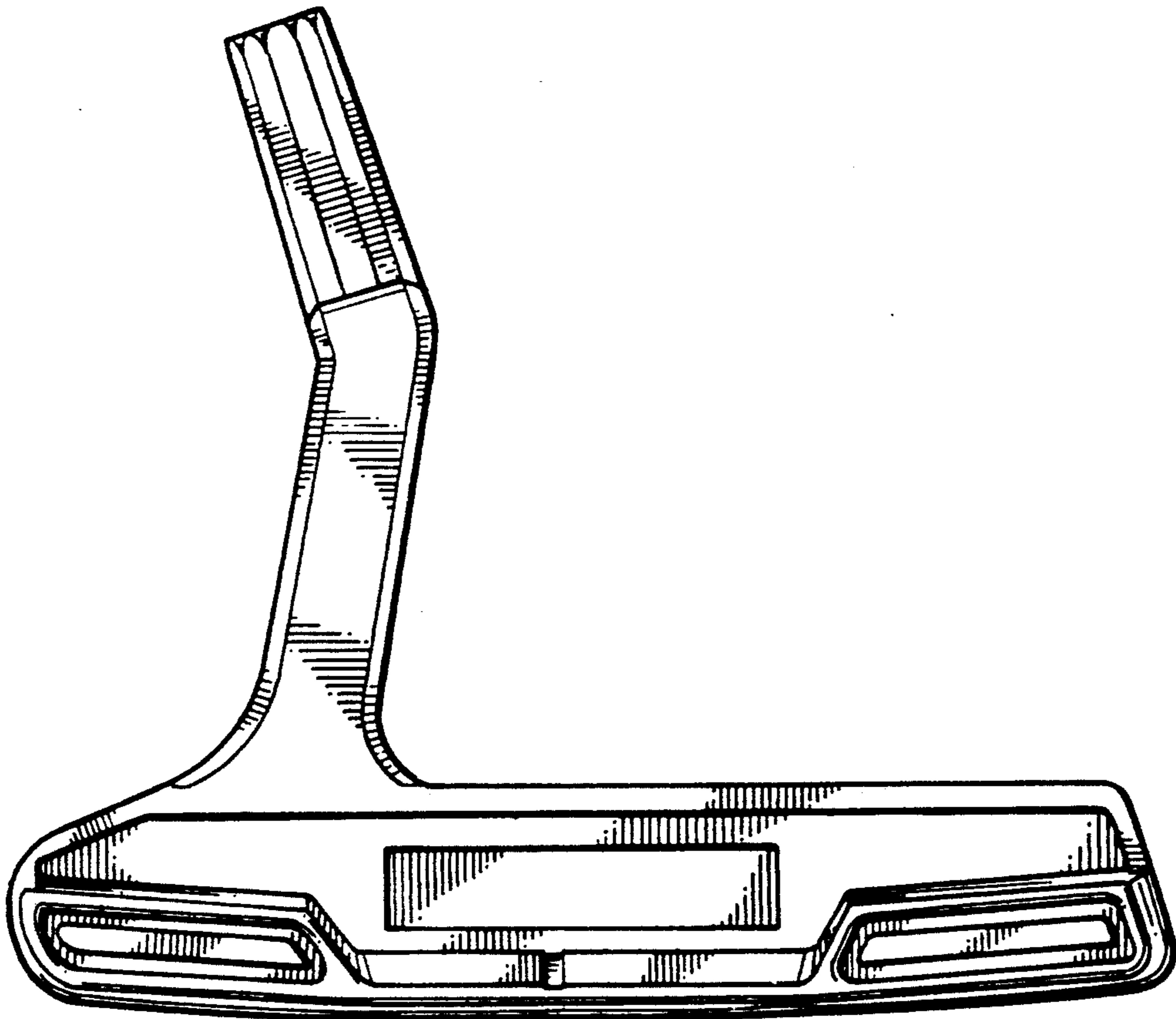
[58] Field of Search D21/217, 218, 219;
273/164.1, 164.2, 167-175

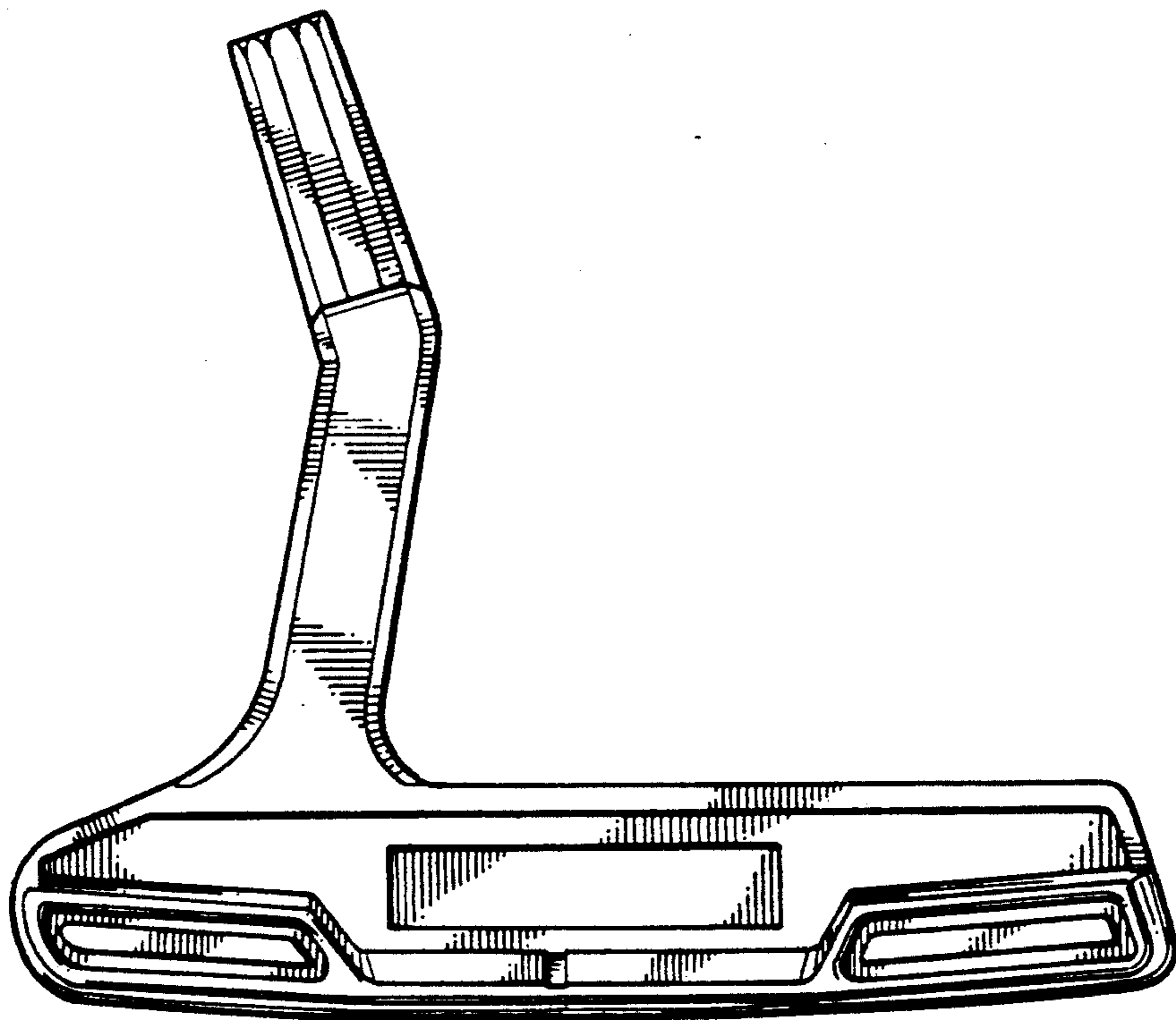
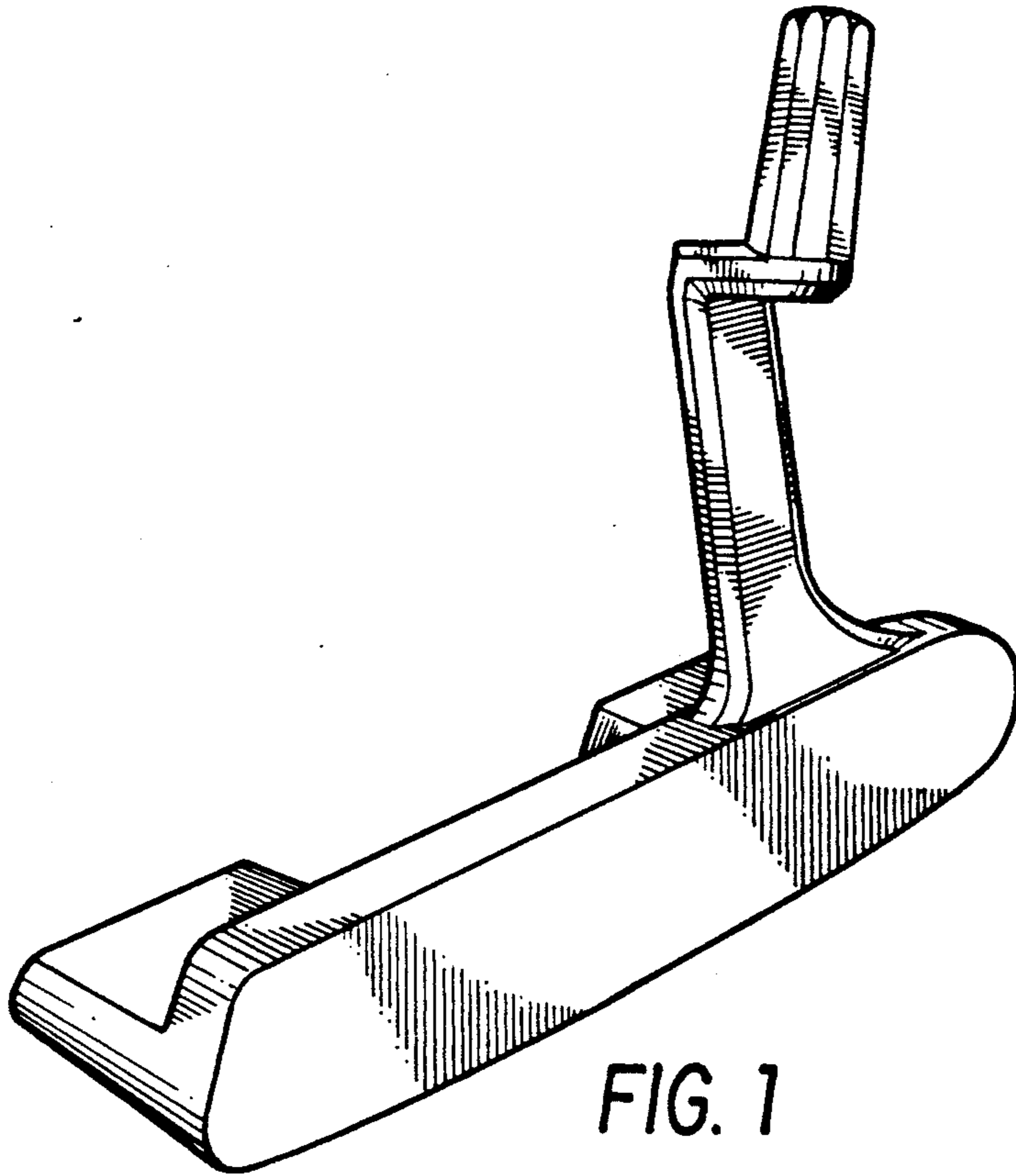
FIG. 1 is a rear perspective view of the putter head taken from the toe end showing my new design; FIG. 2 is a left side view of the putter head; FIG. 3 is a top view of the putter head; FIG. 4 is a bottom view of the putter head; FIG. 5 is a front view of the putter head; and, FIG. 6 is a rear view of the putter head.

[56] **References Cited**

U.S. PATENT DOCUMENTS

D. 198,383 6/1964 Butler D21/218





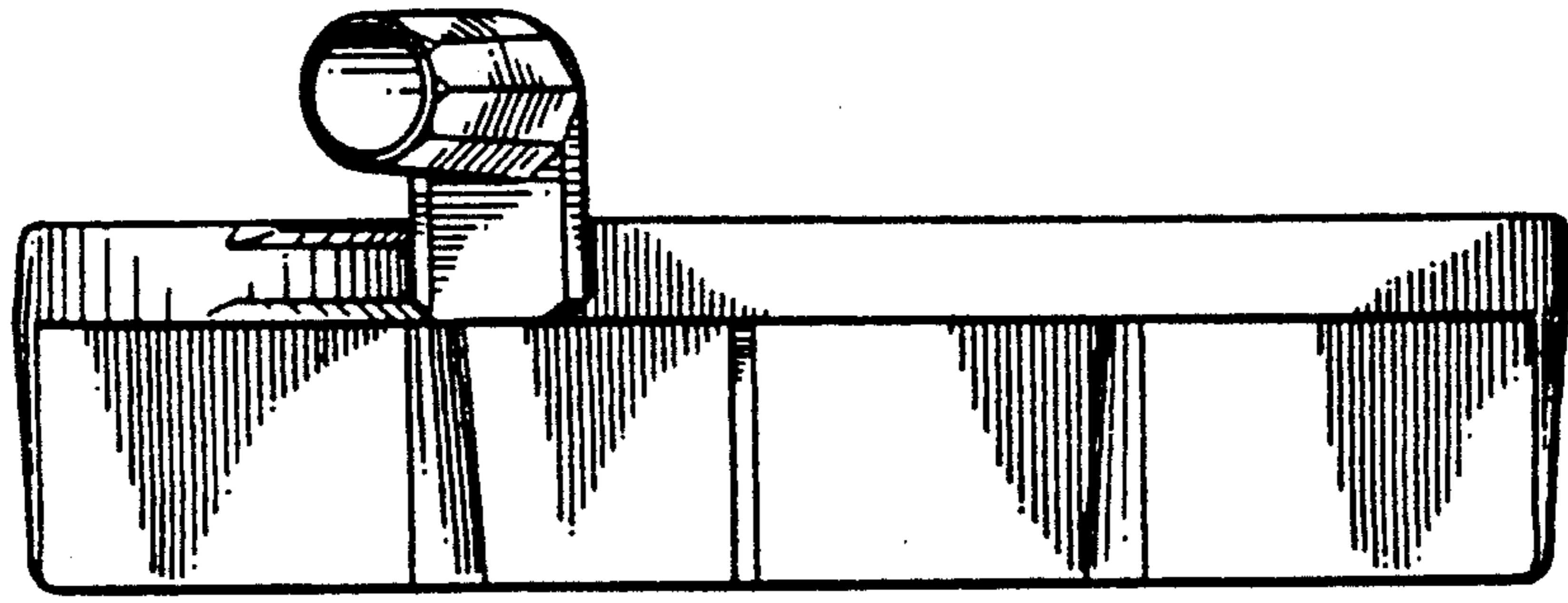


FIG. 3

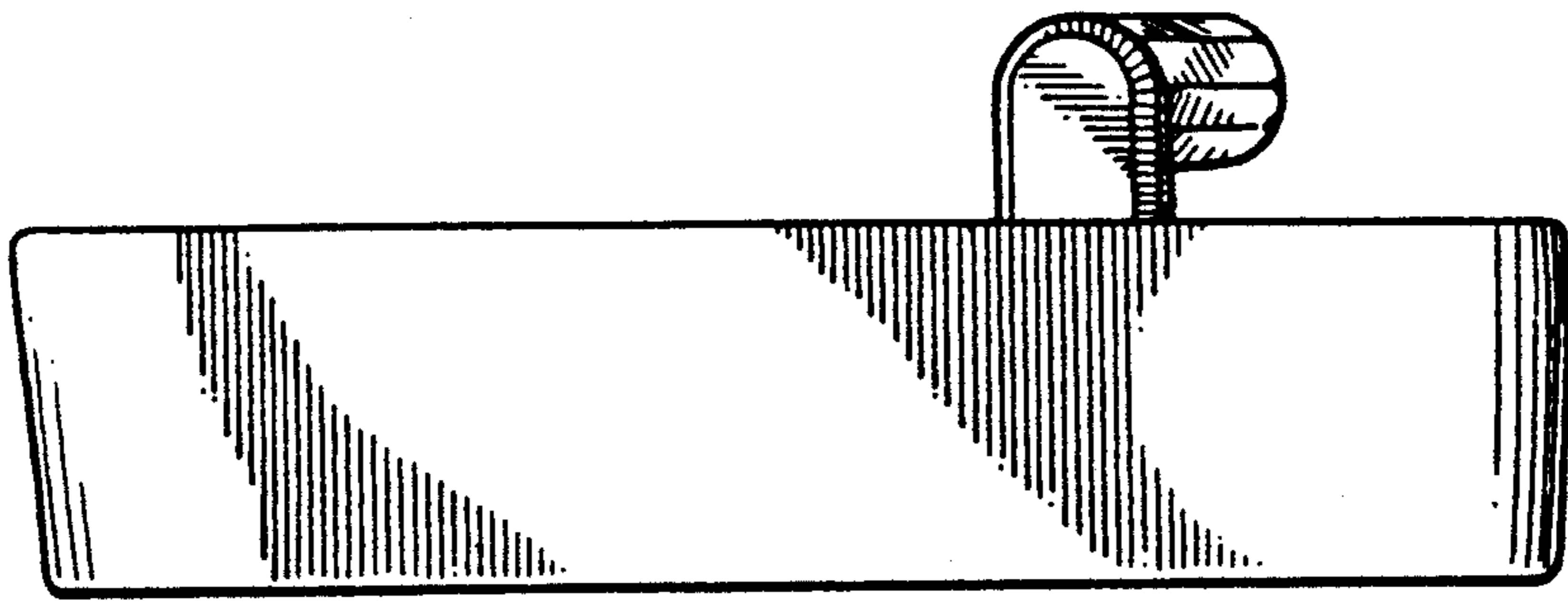


FIG. 4

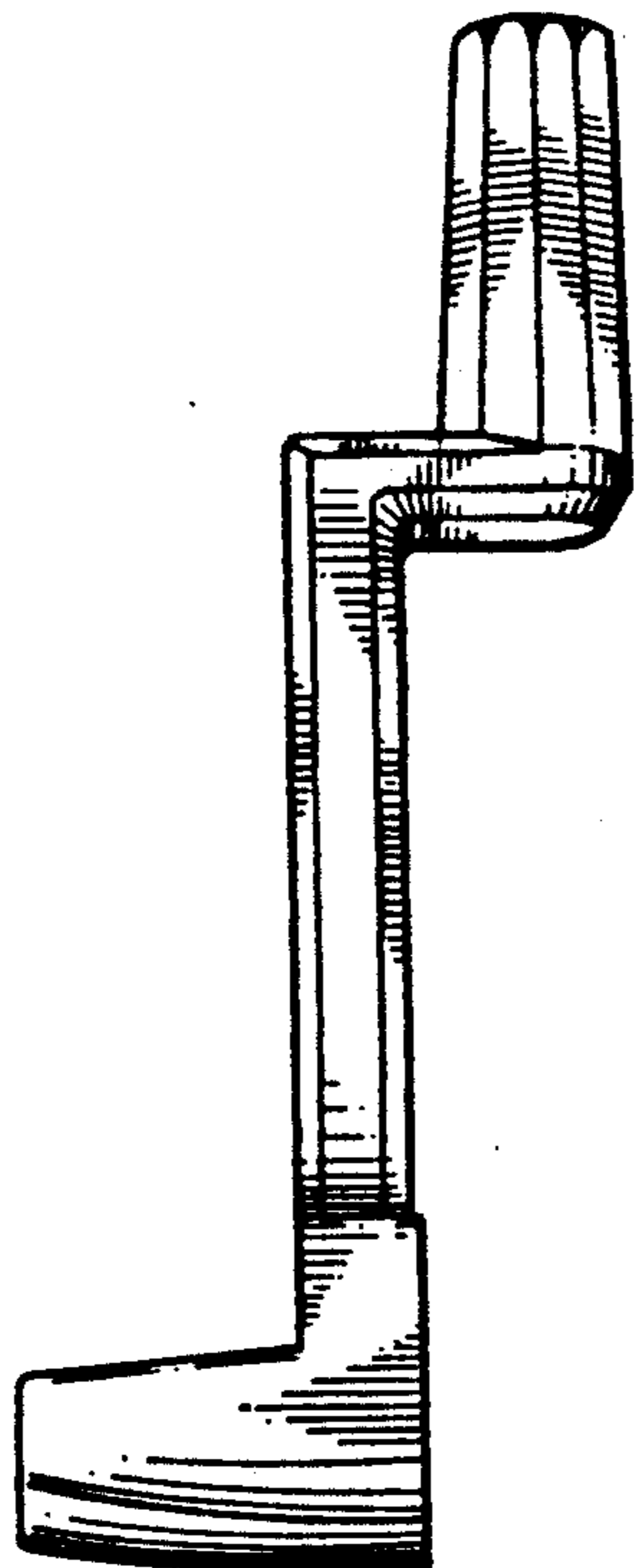


FIG. 5

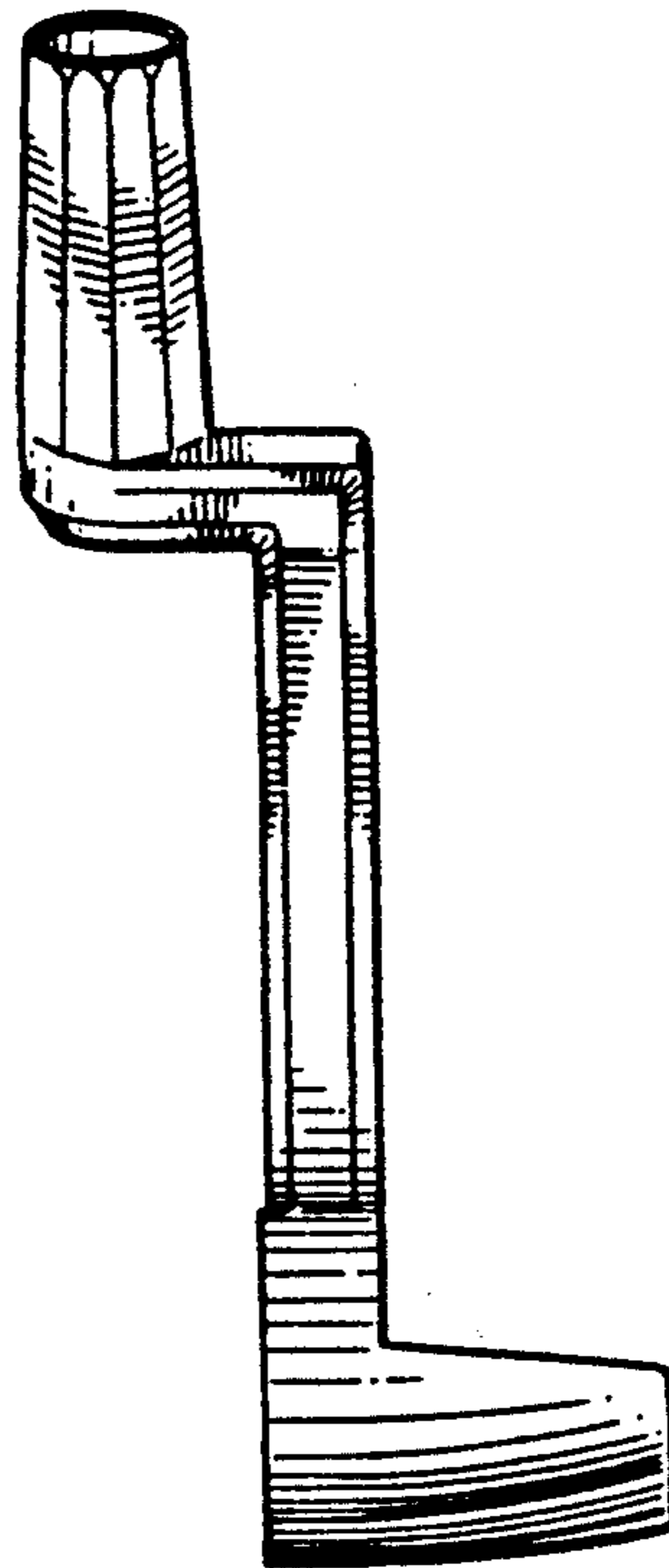


FIG. 6