



US00D335309S

United States Patent [19]

[11] Patent Number: **Des. 335,309**

Evenson

[45] Date of Patent: **** May 4, 1993**

[54] **PORTABLE CONTAINER FOR FILE FOLDERS**

D. 299,037	12/1988	Klodt	D19/90
D. 309,918	8/1990	Evenson	D19/92
D. 316,113	4/1991	Hawes, Jr. et al.	D19/91 X
D. 328,101	7/1992	Rorke	D19/90
2,447,731	8/1948	Bureau	206/425
3,874,501	4/1975	Cronheim	206/425
4,817,861	4/1989	Henrikson	206/425 X

[75] Inventor: **Mel Evenson, San Pedro, Calif.**

[73] Assignee: **Rubbermaid Office Products Group Inc., Maryville, Tenn.**

[**] Term: **14 Years**

Primary Examiner—Nelson C. Holtje
Assistant Examiner—Martha Thompson
Attorney, Agent, or Firm—Richard B. O'Planick

[21] Appl. No.: **806,462**

[22] Filed: **Dec. 13, 1991**

[57] **CLAIM**

[52] U.S. Cl. **D19/90; D3/30.1; D19/75; D19/91**

The ornamental design for a portable container for file folders, as shown and described.

[58] Field of Search **D3/30.1, 35, 72, 74, D3/78; D19/65, 75, 76, 78, 86, 90, 91, 99, 92, 100; 206/387, 425, 444, 449, 555; 211/10, 11; 312/183, 184; D34/43, 44**

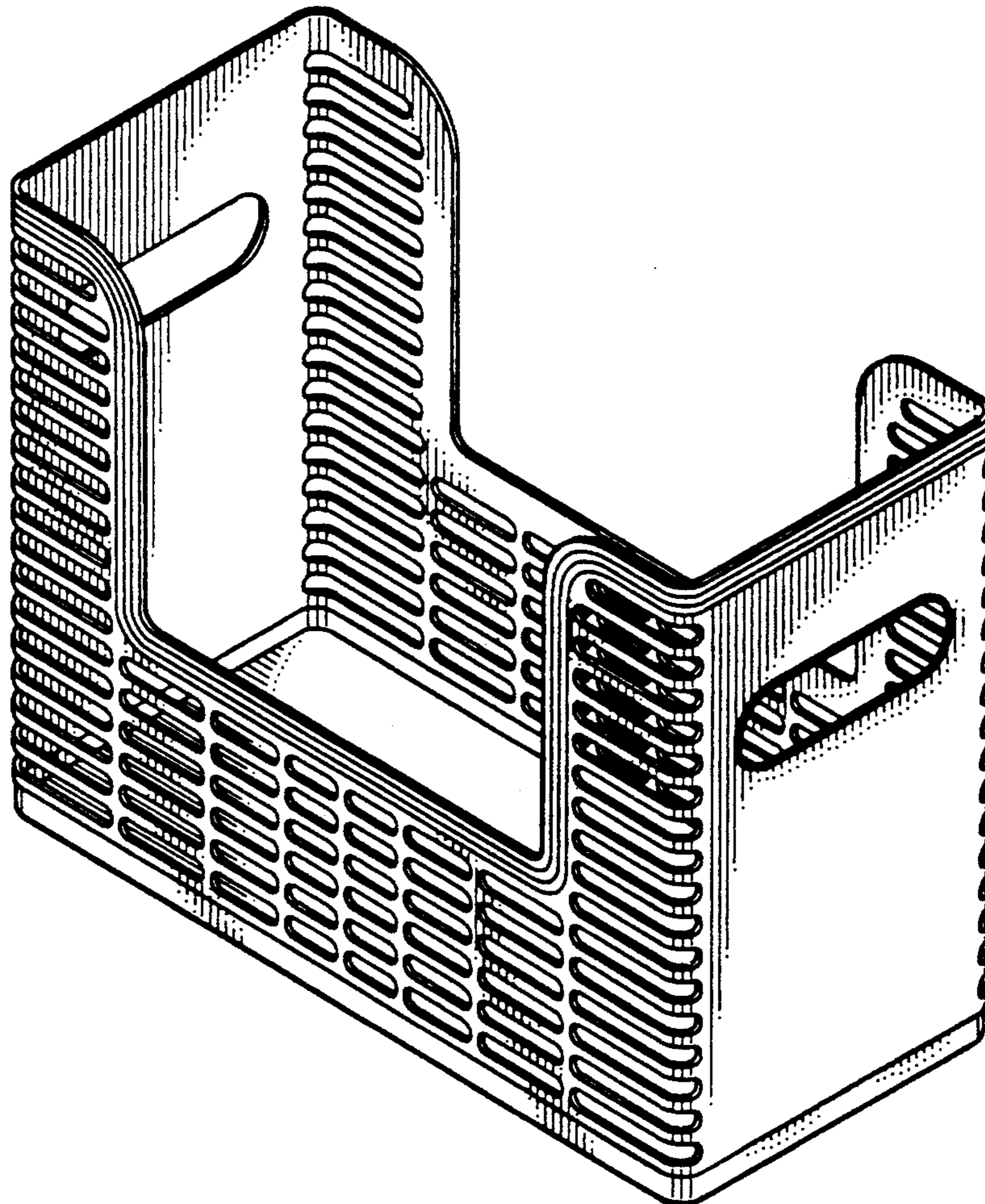
DESCRIPTION

FIG. 1 is a top plan view of a portable container for file folders showing my new design; FIG. 2 is a bottom plan view; FIG. 3 is a front elevational view, the rear view being a mirror image; FIG. 4 is a side elevational view, the other side being a mirror image; and, FIG. 5 is a perspective view of FIGS. 1 through 4 thereof.

[56] References Cited

U.S. PATENT DOCUMENTS

D. 227,191	6/1973	Cape	D34/43
D. 248,374	7/1978	Thompson	D34/44
D. 265,743	8/1982	Meyer et al.	D19/90
D. 289,181	4/1987	Solomon	D19/90



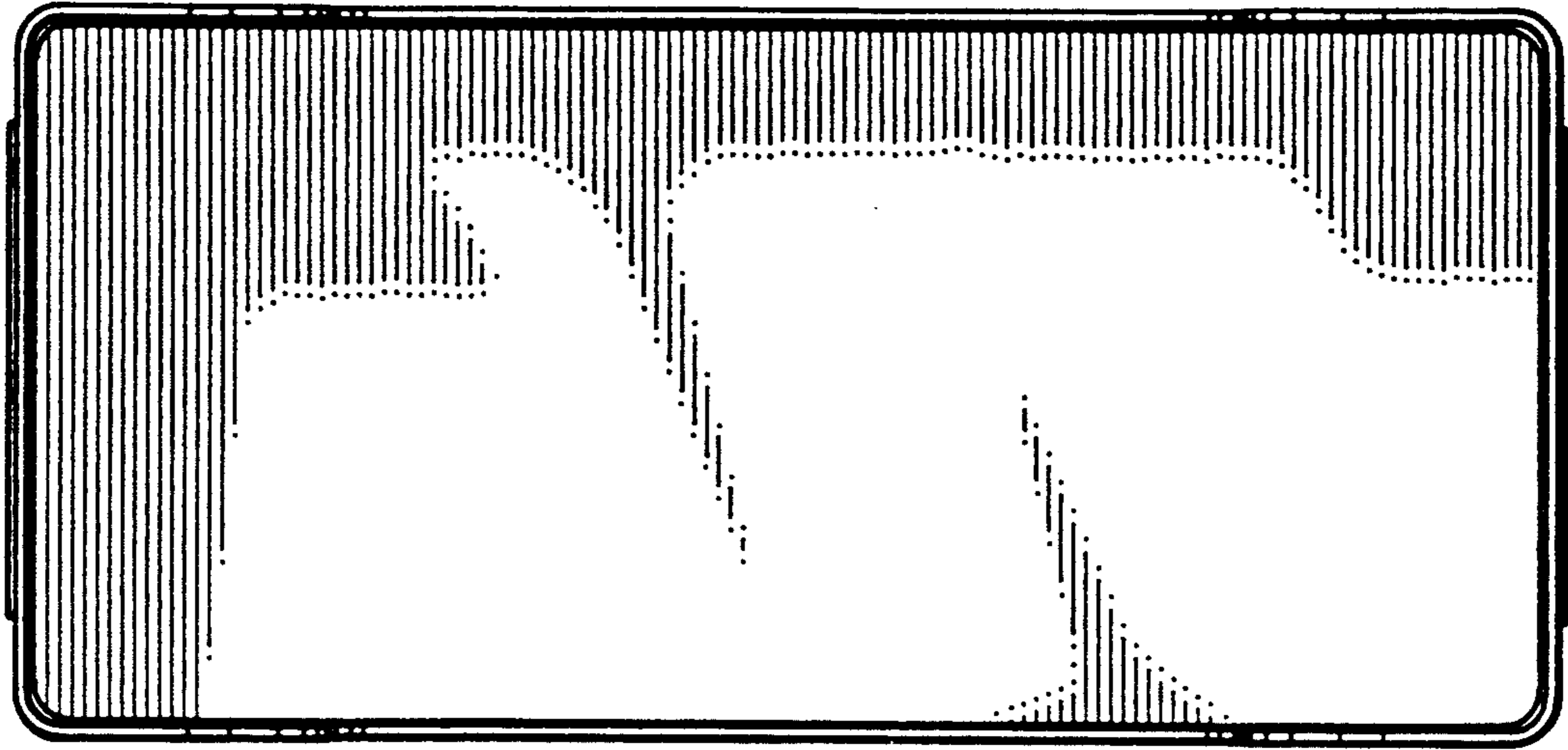


FIG. 1

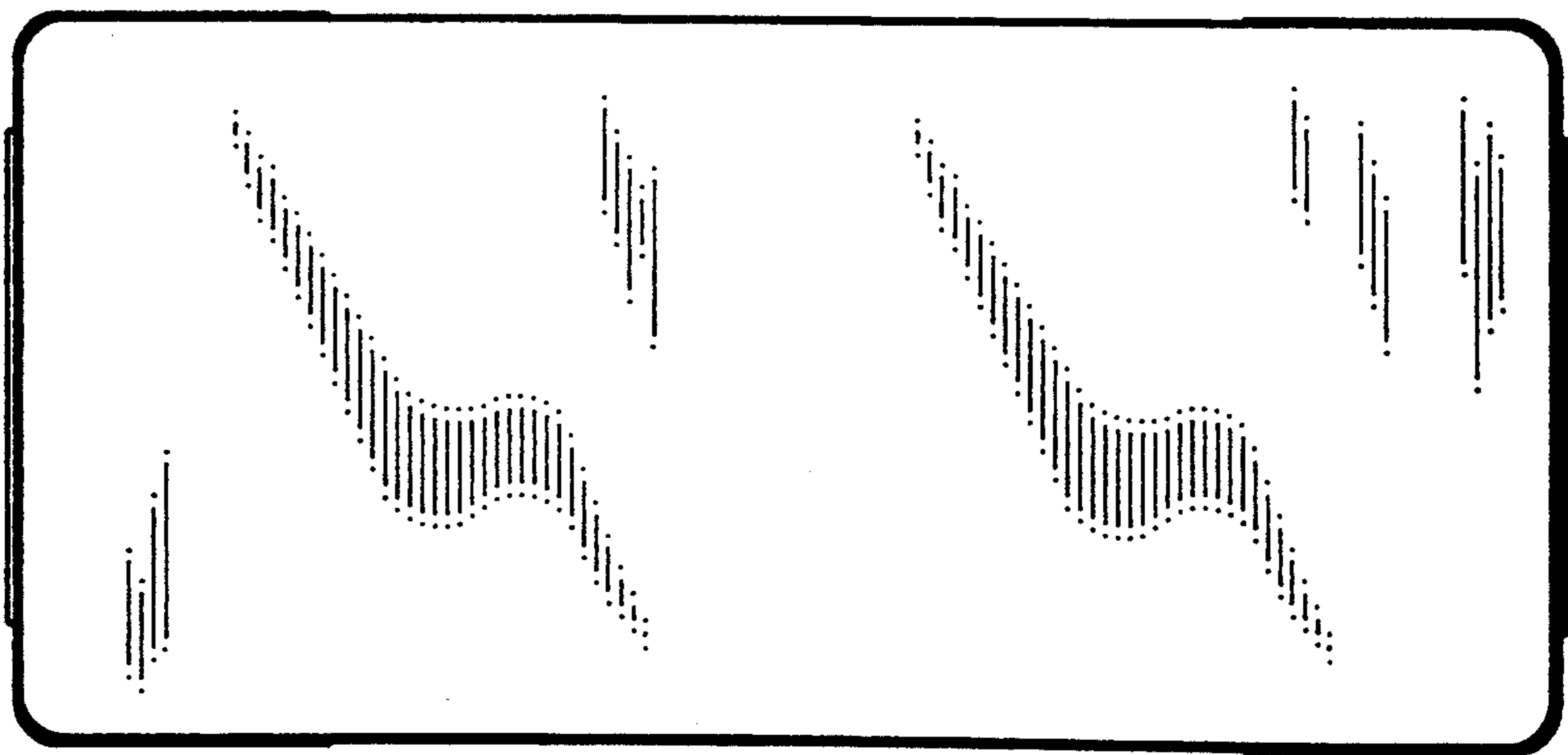


FIG. 2

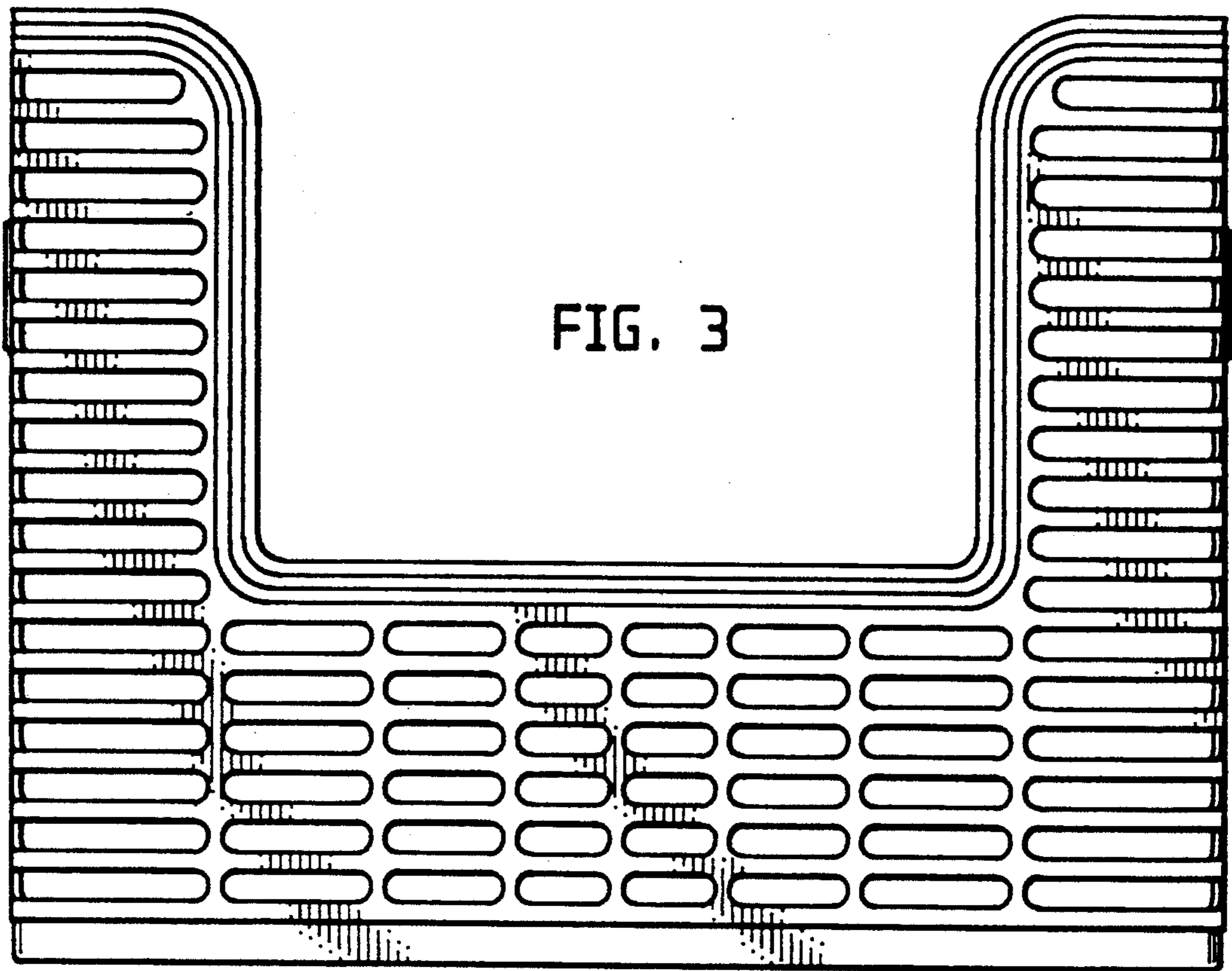


FIG. 3

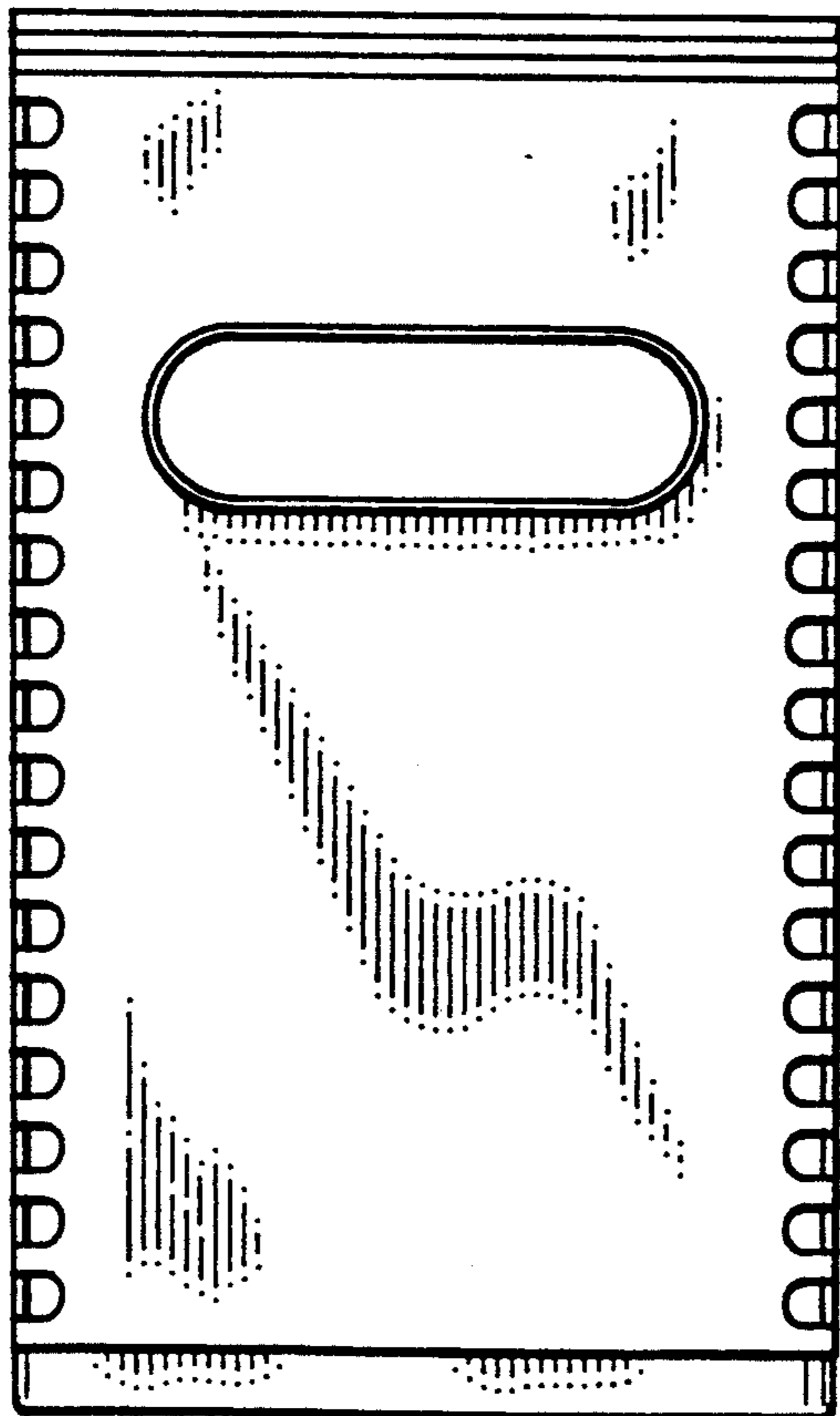


FIG. 4

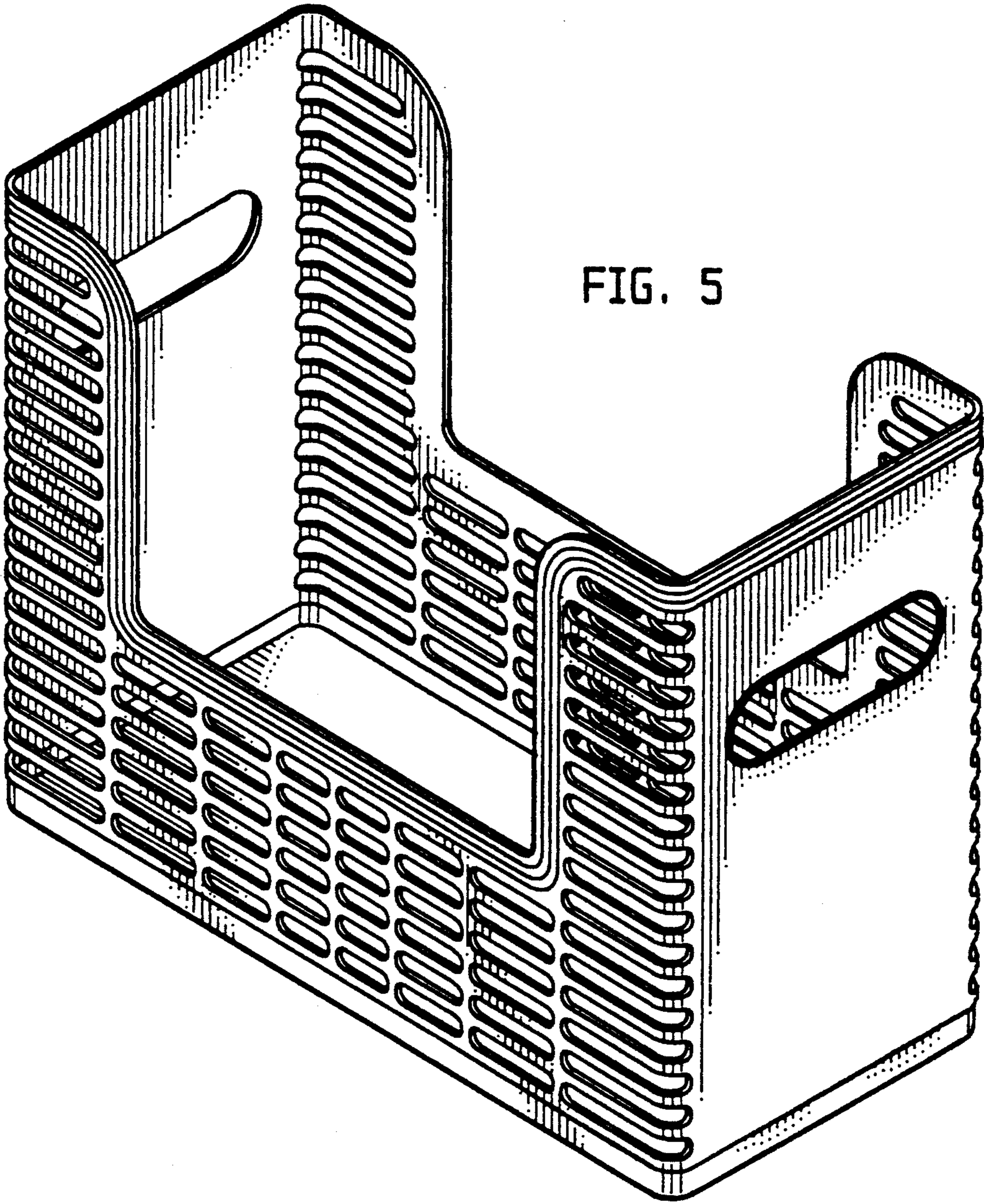


FIG. 5