



US00D335298S

United States Patent [19]
Hanke

[11] **Patent Number: Des. 335,298**

[45] **Date of Patent: ** May 4, 1993**

[54] **COMPACT CAMERA TRIPOD**

[75] **Inventor: Rudolph M. Hanke, Monheim, Fed. Rep. of Germany**

[73] **Assignee: Hama Hamaphot KG Hanke & Thomas, Fed. Rep. of Germany**

[**] **Term: 14 Years**

[21] **Appl. No.: 674,028**

[22] **Filed: Mar. 22, 1991**

[30] **Foreign Application Priority Data**

Sep. 25, 1990 [DE] Fed. Rep. of Germany 9006391

[52] **U.S. Cl. D16/244**

[58] **Field of Search D16/237, 242, 244, 245; 248/168-171, 183, 188.6, 187.7; 354/293**

[56] **References Cited**

U.S. PATENT DOCUMENTS

D. 257,260	10/1980	Shiraishi	D16/244
D. 257,261	10/1980	Shinohara	D16/244
D. 300,037	2/1989	Jones et al.	D16/244
2,587,511	2/1952	Nerman	248/169
4,249,817	2/1981	Blau	354/293
4,697,772	10/1987	Kosugi et al.	248/183

Primary Examiner—Bernard Ansher
Assistant Examiner—Adir Aronovich
Attorney, Agent, or Firm—Marshall, O'Toole, Gerstein, Murray & Bicknell

[57] **CLAIM**

The ornamental design for a compact camera tripod, as shown and described.

DESCRIPTION

FIG. 1 is a left side perspective view of a compact camera tripod showing my new design; FIG. 2 is a top perspective view thereof, the legs being in an alternative position; FIG. 3 is an enlarged fragmentary view of a right side elevational view thereof; FIG. 4 is an enlarged fragmentary view of a left side elevational view thereof; FIG. 5 is an enlarged fragmentary view of a top plan view thereof; FIG. 6 is a right side elevational view thereof; being in a folded position; FIG. 7 is a left side elevational view thereof; FIG. 8 is an enlarged fragmentary left side elevational view, shown for ease of illustration; and, FIG. 9 is an enlarged fragmentary right side elevational view thereof.

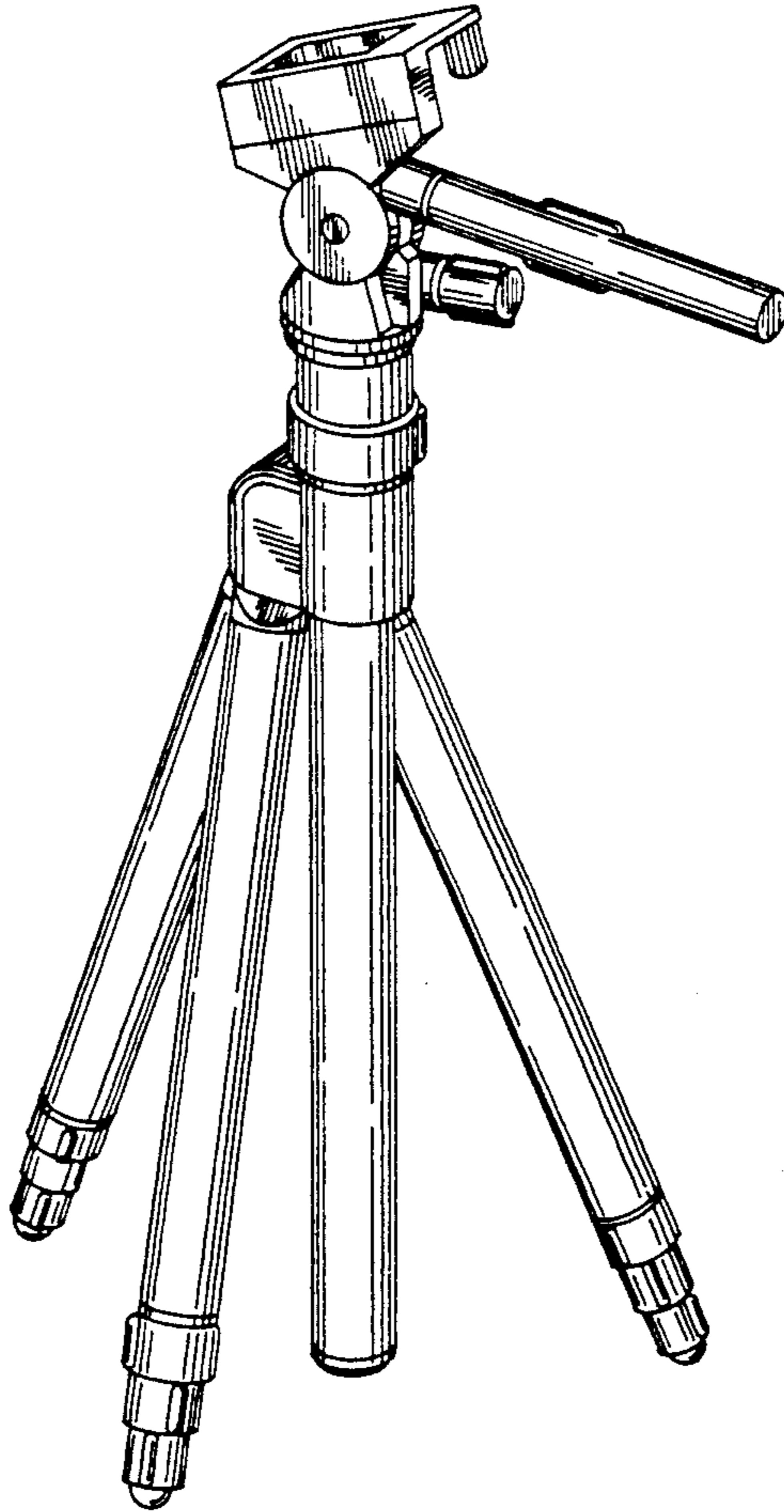


FIG. 1

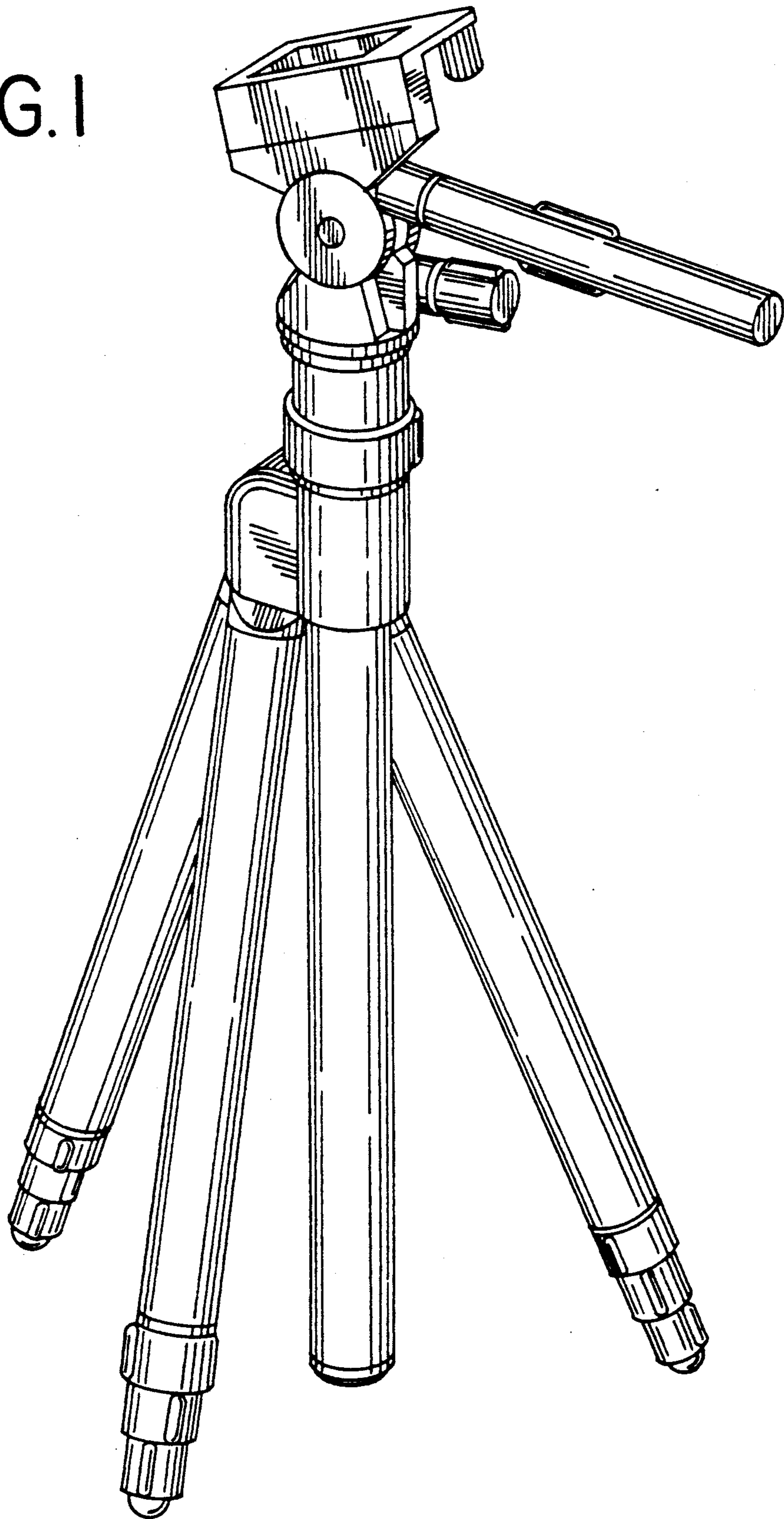


FIG.2

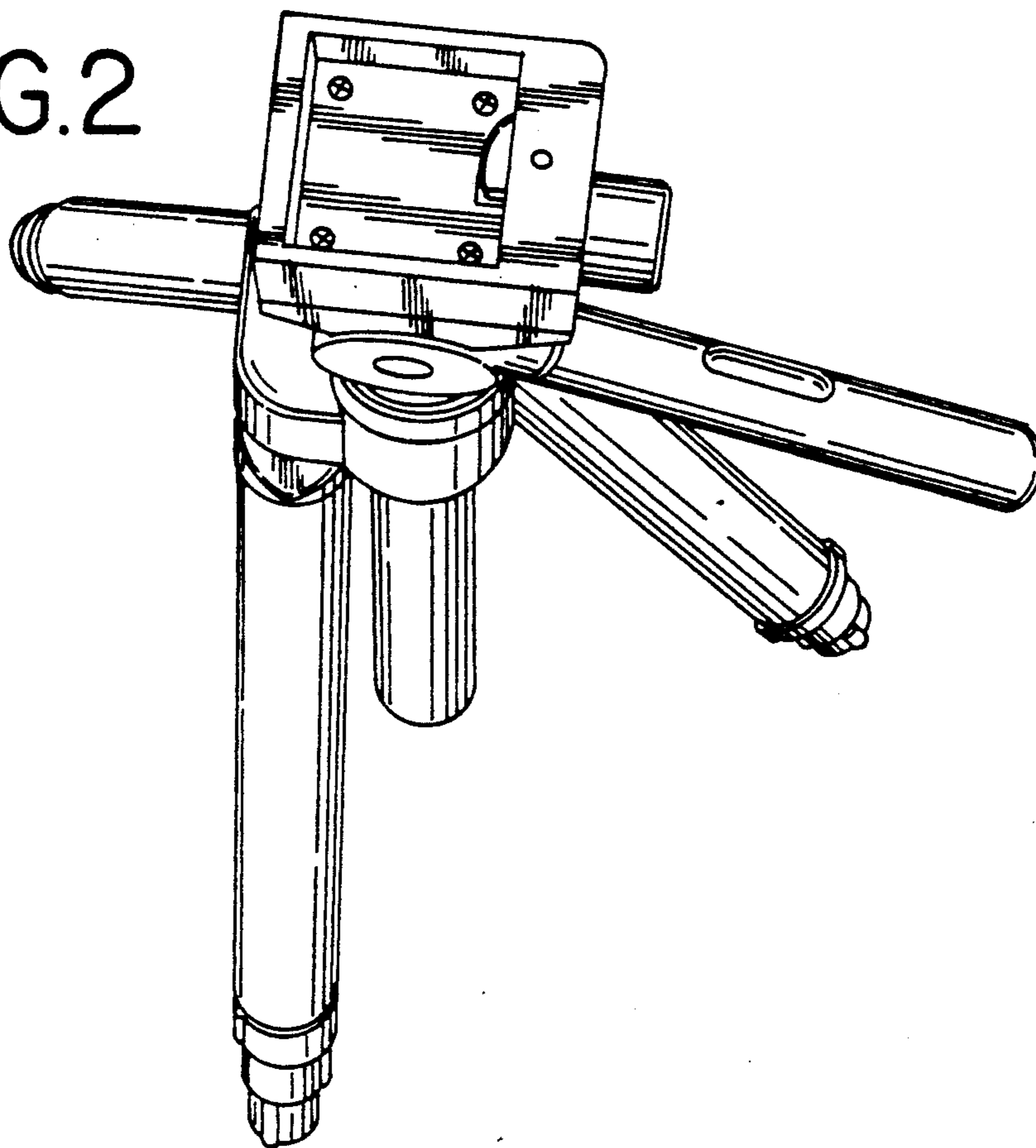


FIG.5

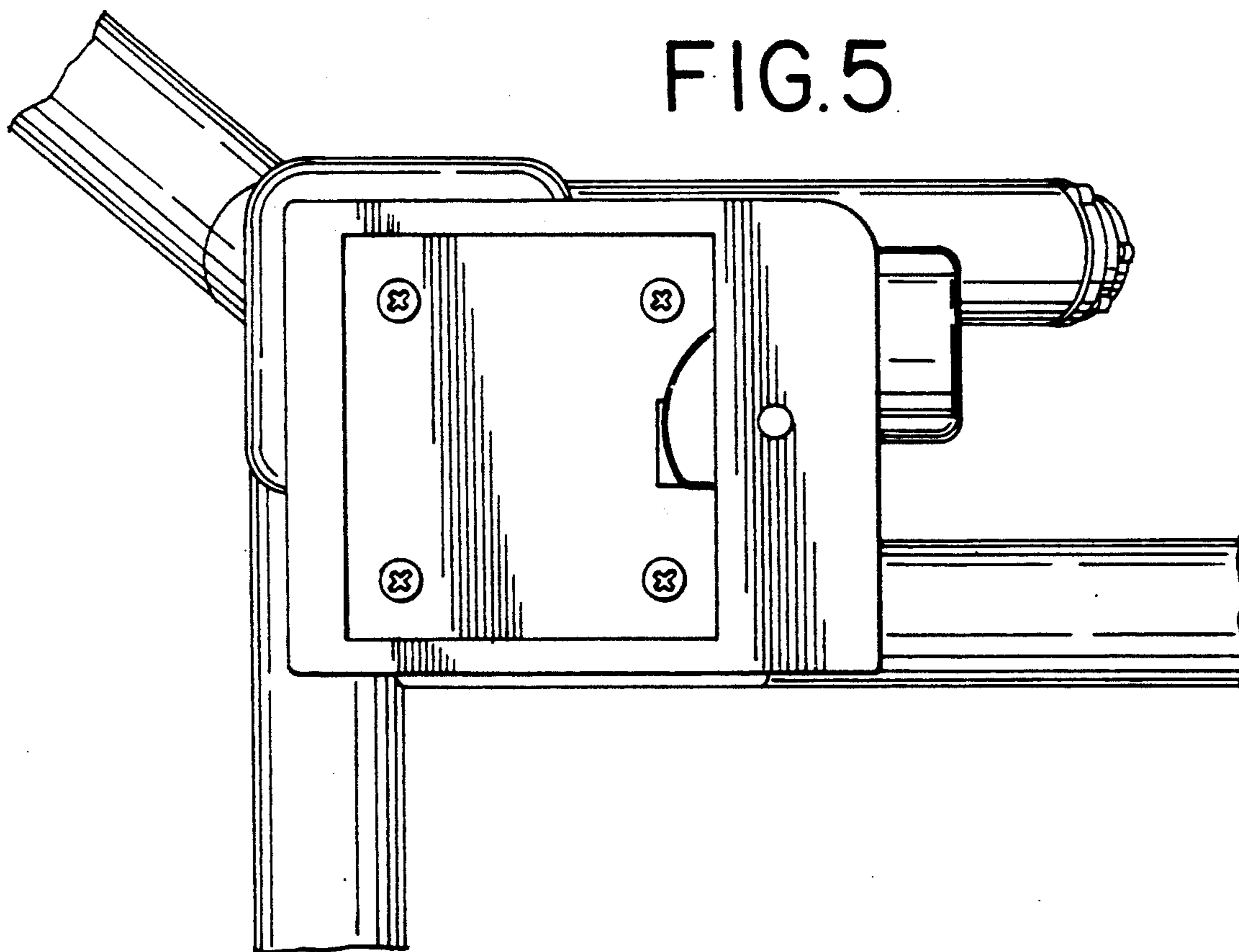


FIG. 3

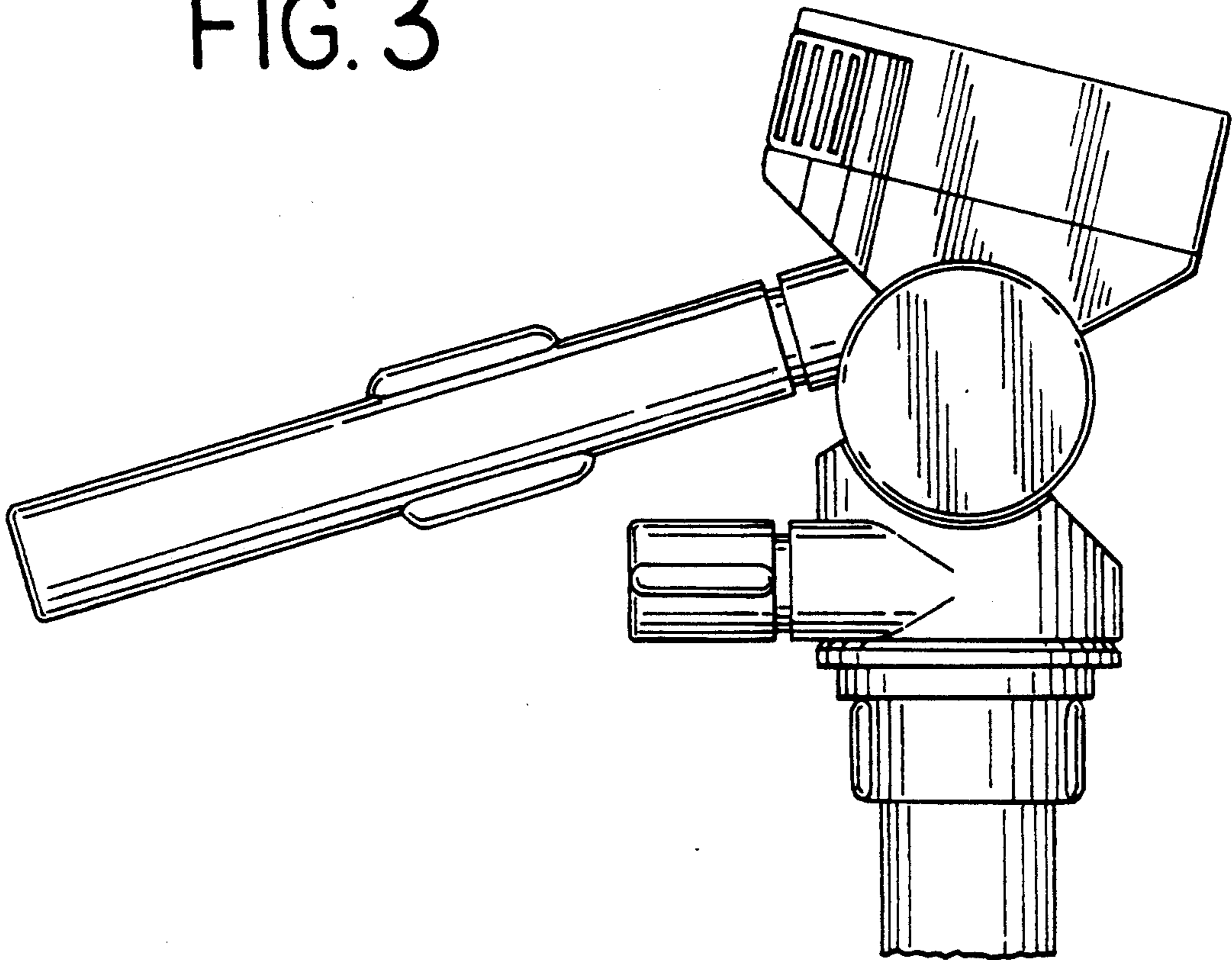


FIG. 4

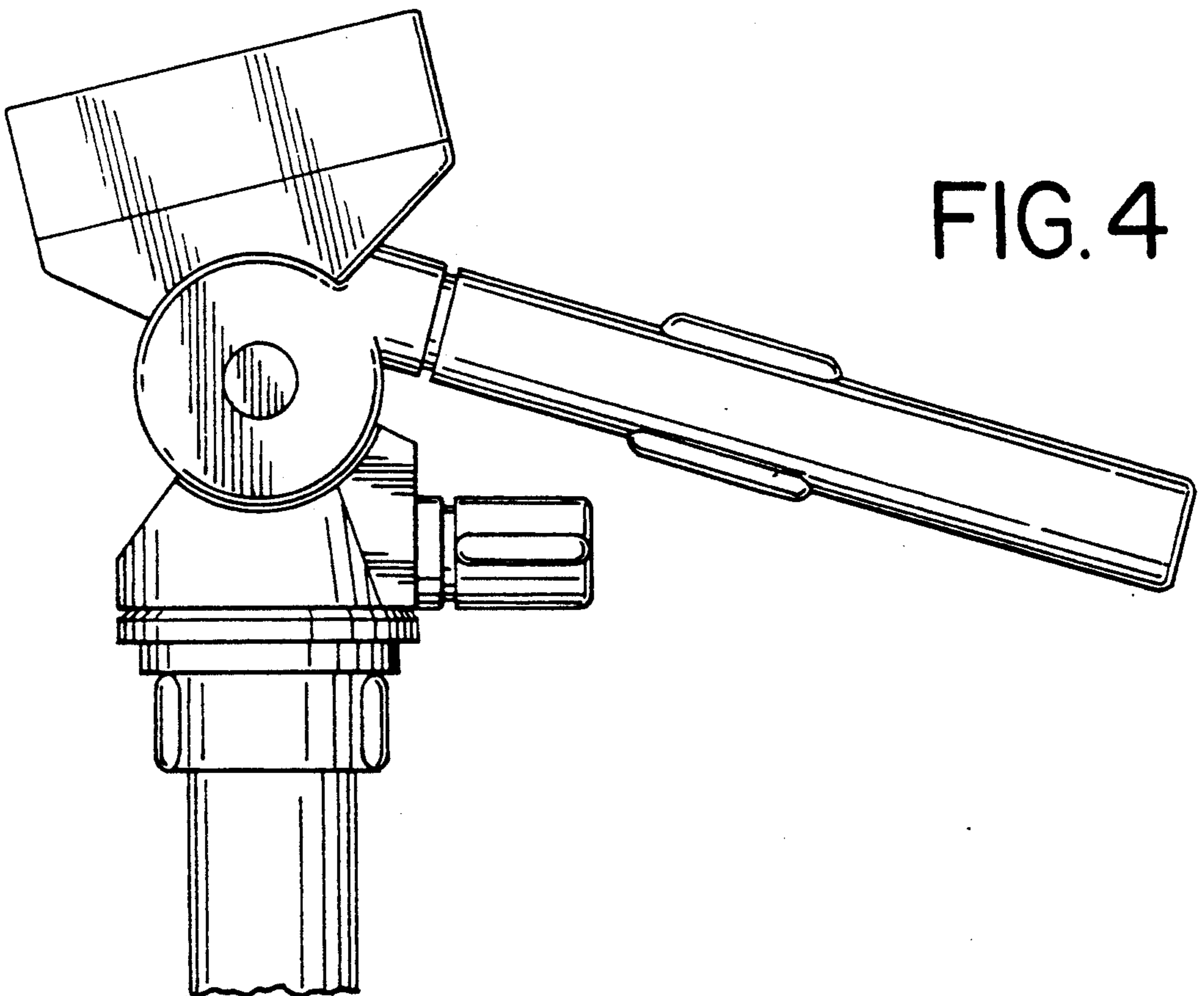


FIG. 6

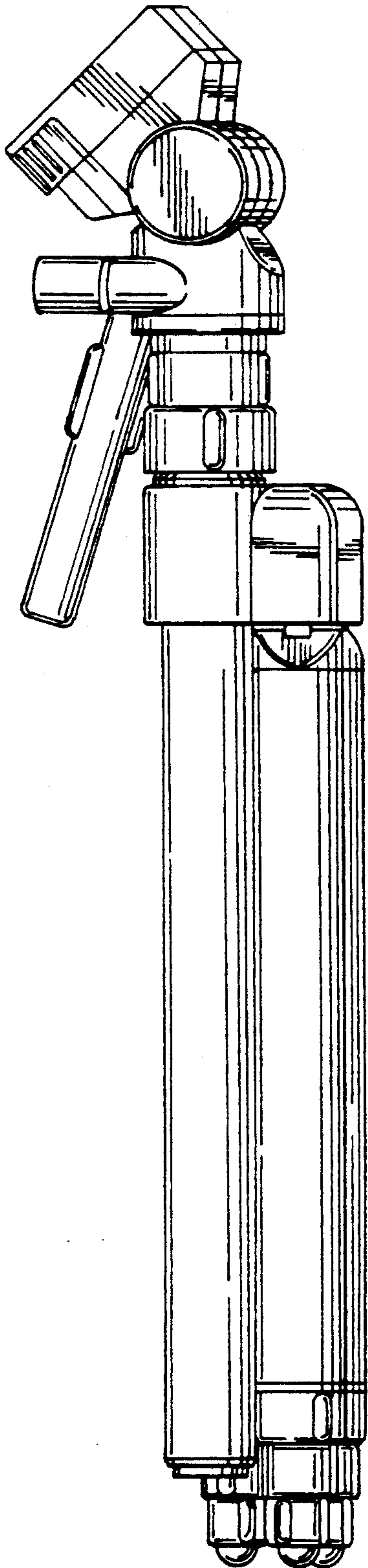


FIG. 7

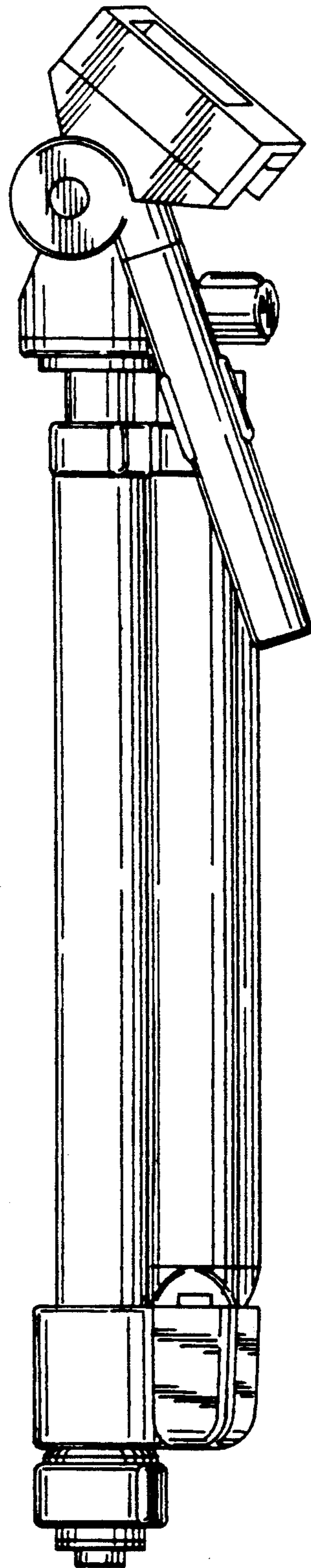


FIG. 8

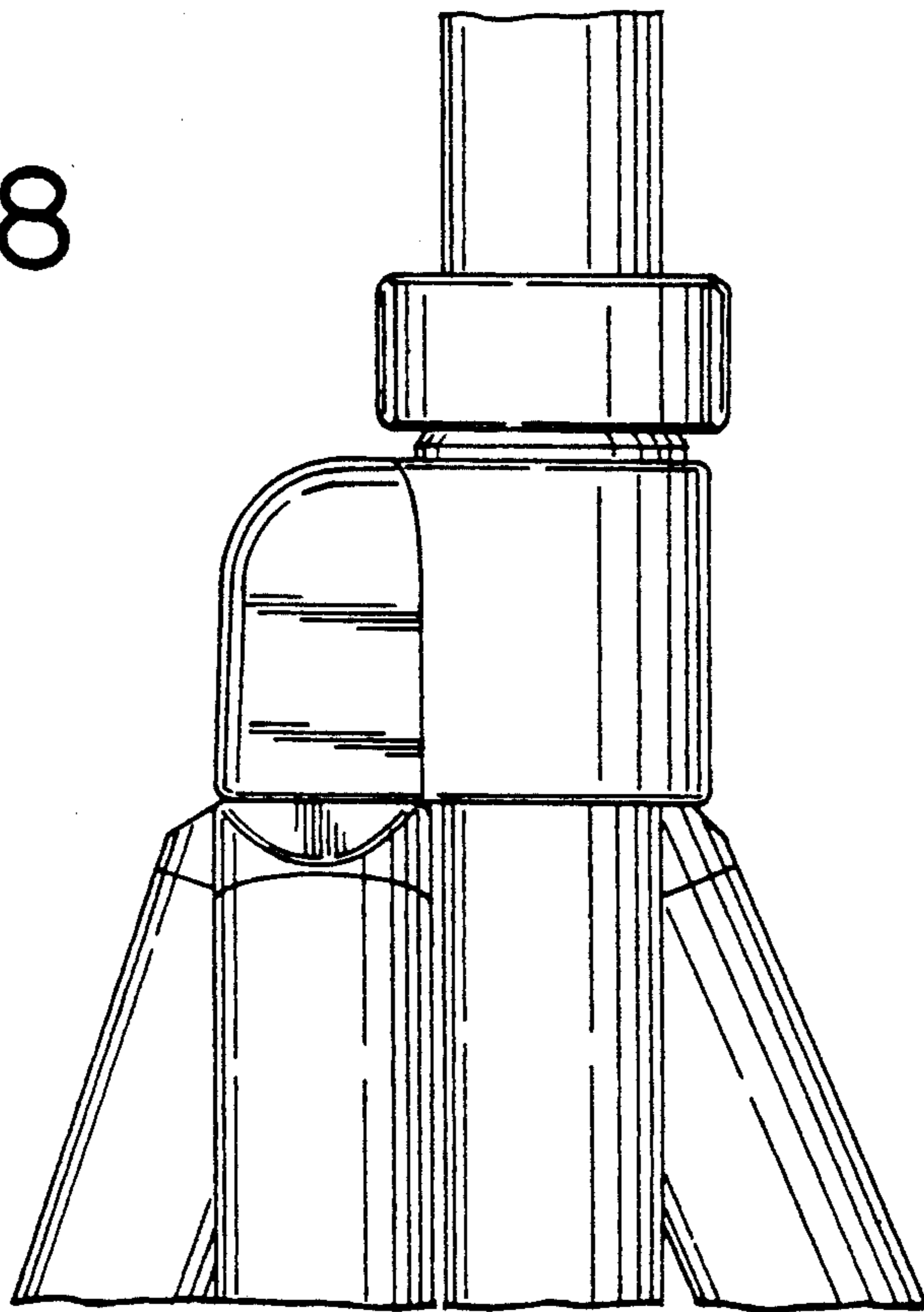


FIG. 9

