



US00D335297S

United States Patent [19]

[11] Patent Number: Des. 335,297

Kawagoe

[45] Date of Patent: ** May 4, 1993

[54] SINGLE USE CAMERA

[75] Inventor: Hiroaki Kawagoe, Tokyo, Japan

[73] Assignee: Fuji Photo Film Co., Ltd., Kanagawa, Japan

[**] Term: 14 Years

[21] Appl. No.: 612,123

[22] Filed: Nov. 9, 1990

[52] U.S. Cl. D16/208

[58] Field of Search D16/200-205,
D16/208, 209, 211, 213, 217, 218; D9/418, 432;
354/75, 76, 288, 64, 65

[56] **References Cited**

U.S. PATENT DOCUMENTS

- D. 296,703 7/1988 Goto et al. D16/211
- D. 306,308 2/1990 Minakawa D16/209
- D. 310,841 9/1990 Inoue D16/209

- D. 325,211 4/1992 Leonard D16/209
- D. 327,699 7/1992 Horikiri D16/209
- D. 328,911 8/1992 Arai et al. D16/208

Primary Examiner—Bernard Ansher
Assistant Examiner—Adir Aronovich
Attorney, Agent, or Firm—Young & Thompson

[57] **CLAIM**

The ornamental design for a single use camera, as shown.

DESCRIPTION

FIG. 1 is a perspective view of a single use camera, showing my new design;
FIG. 2 is a front elevational view thereof;
FIG. 3 is a rear elevational view thereof;
FIG. 4 is a top plan view thereof;
FIG. 5 is a bottom plan view thereof;
FIG. 6 is a view thereof from the left of FIG. 2; and,
FIG. 7 is a view thereof from the right of FIG. 2.

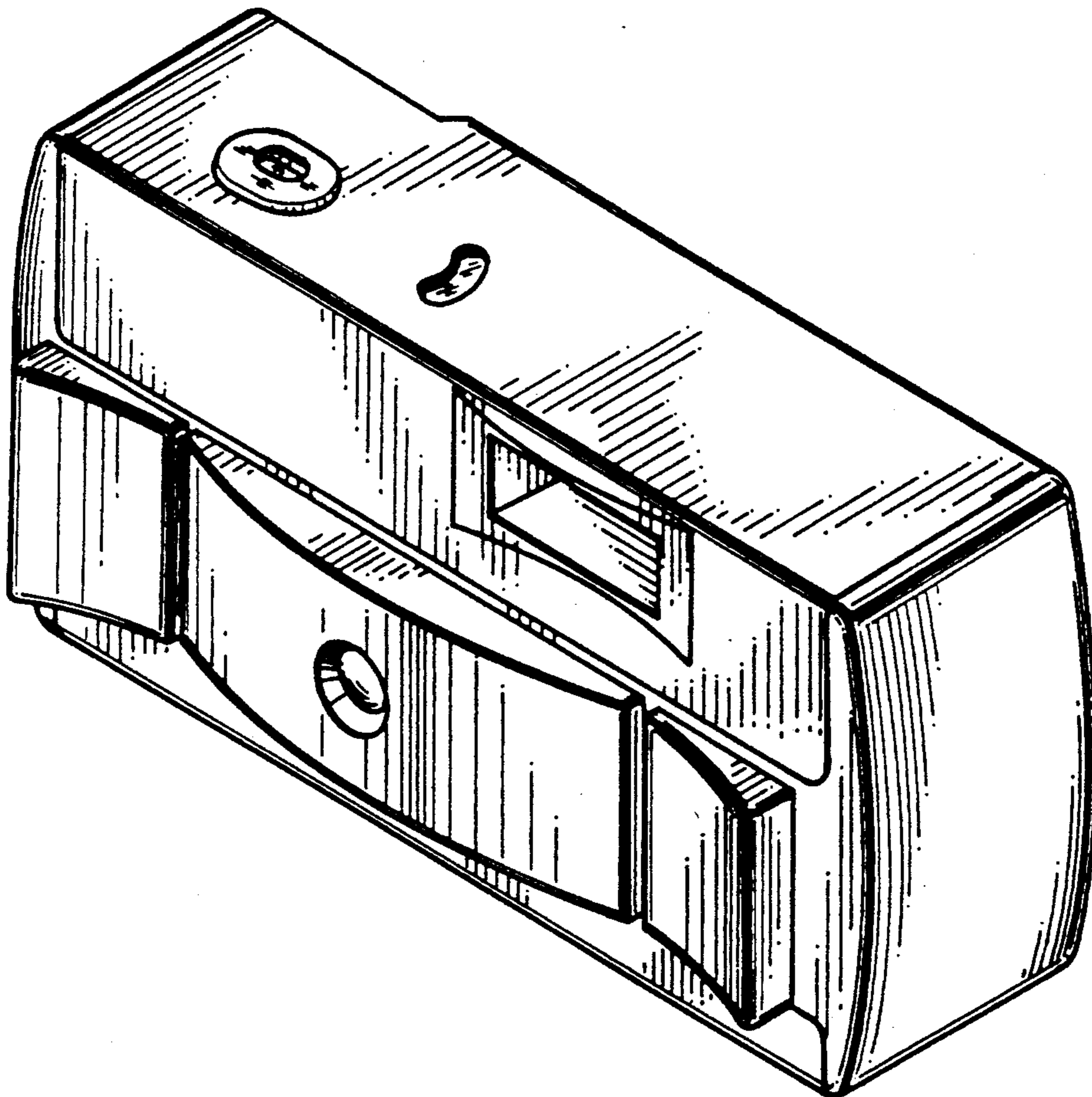


FIG. 1

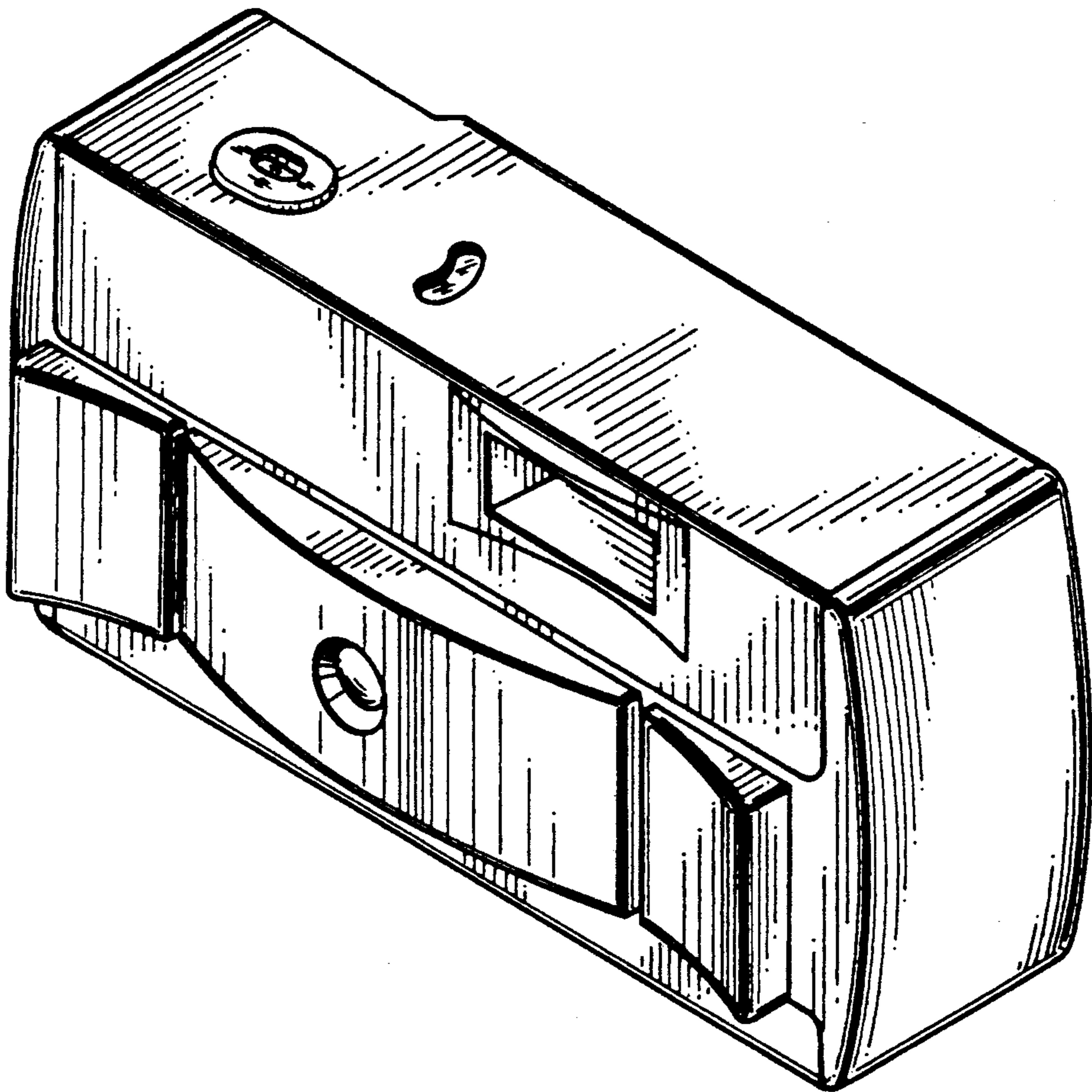


FIG. 2

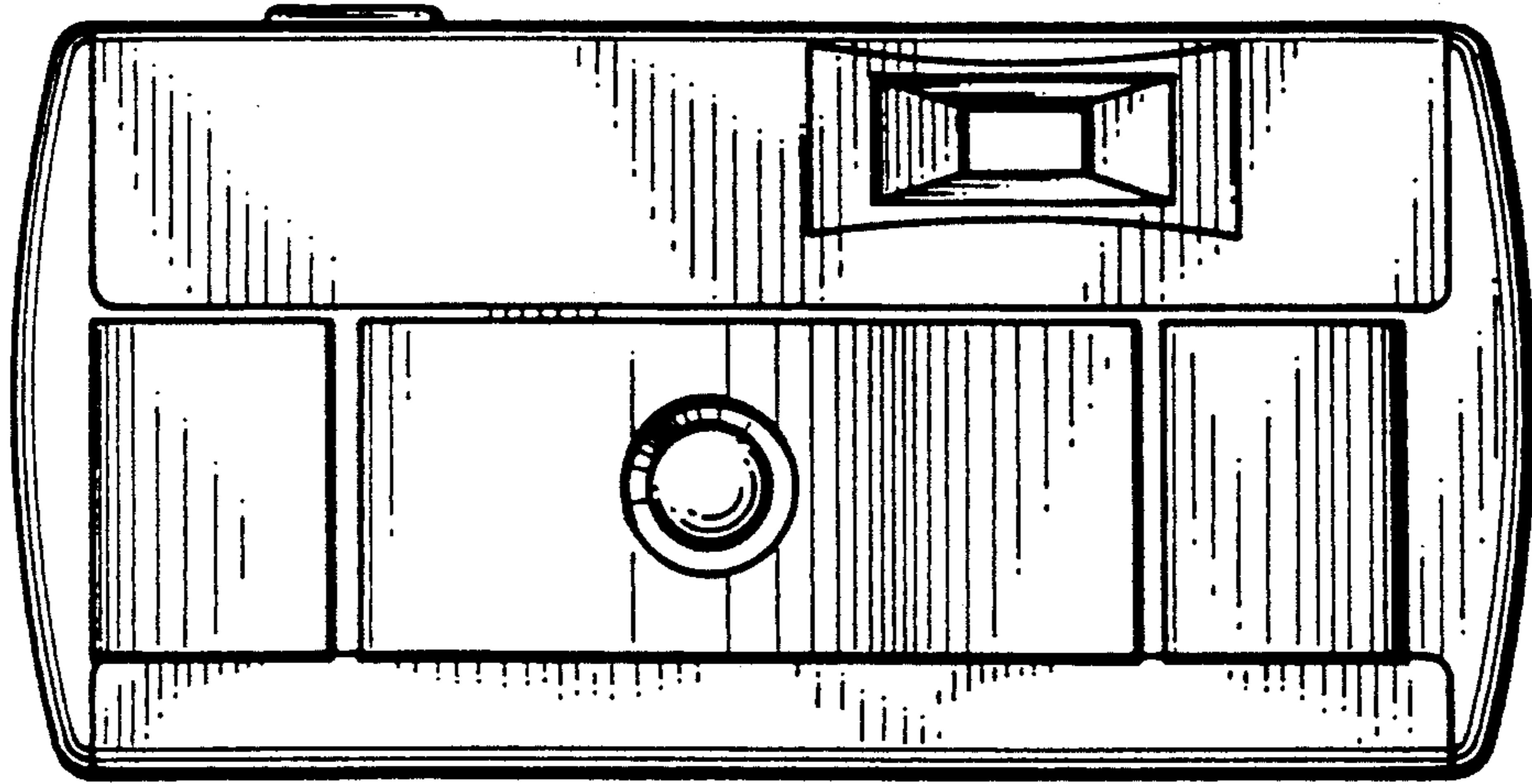


FIG. 3

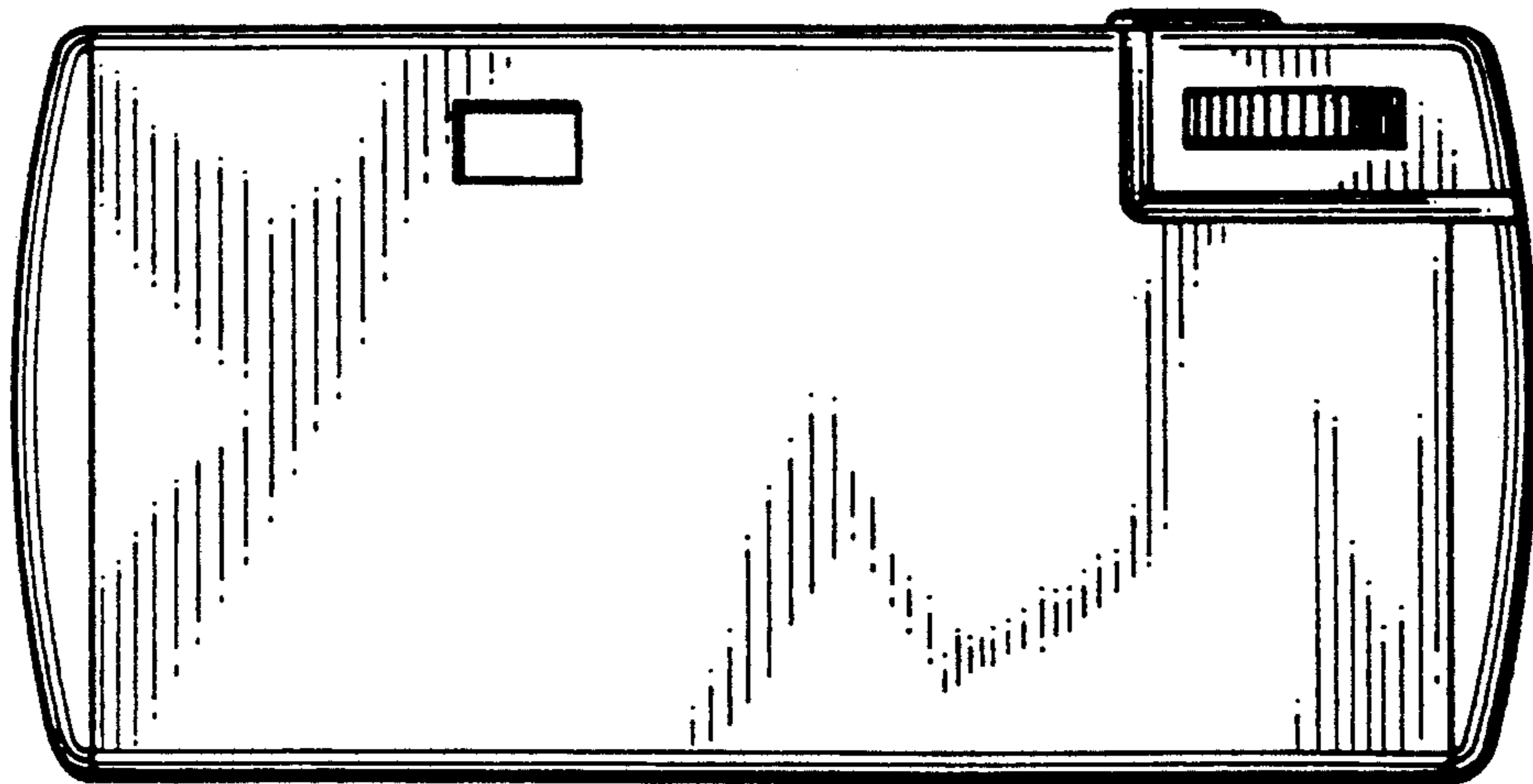


FIG. 4

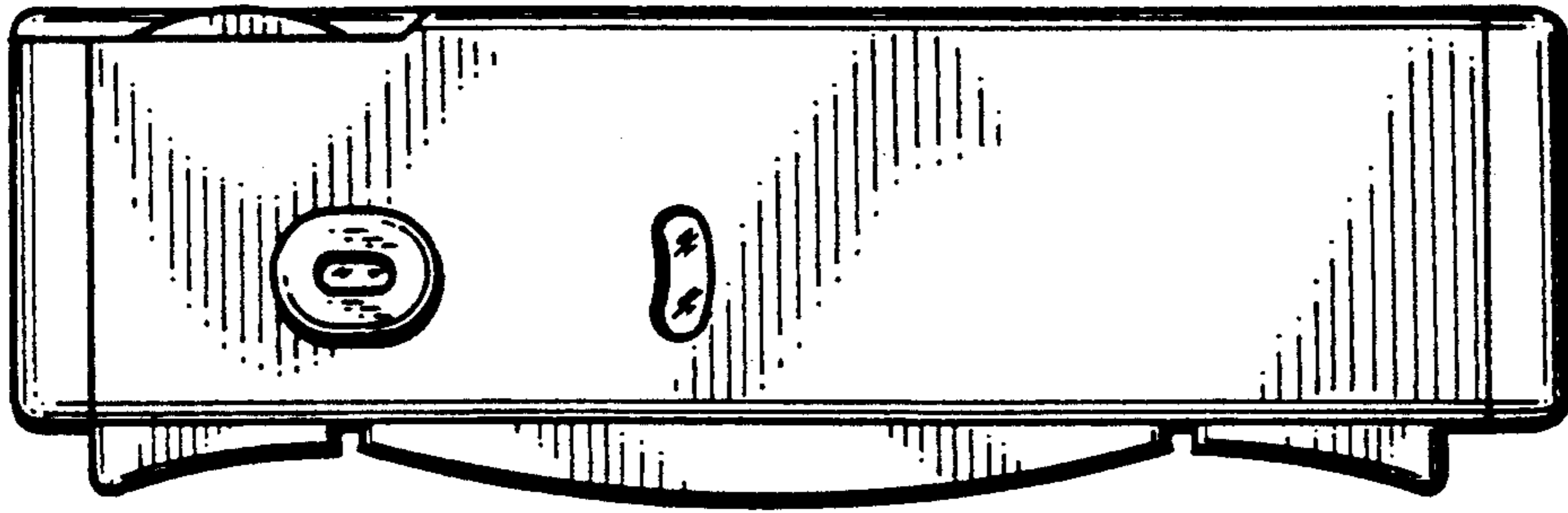


FIG. 5

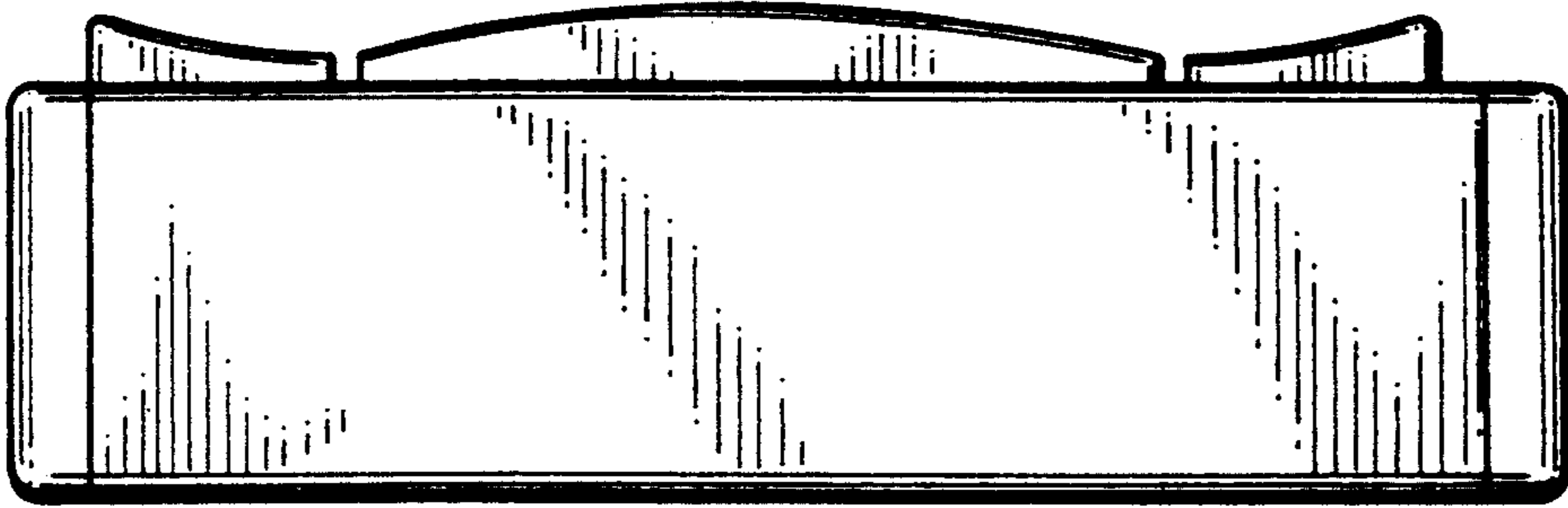


FIG. 6

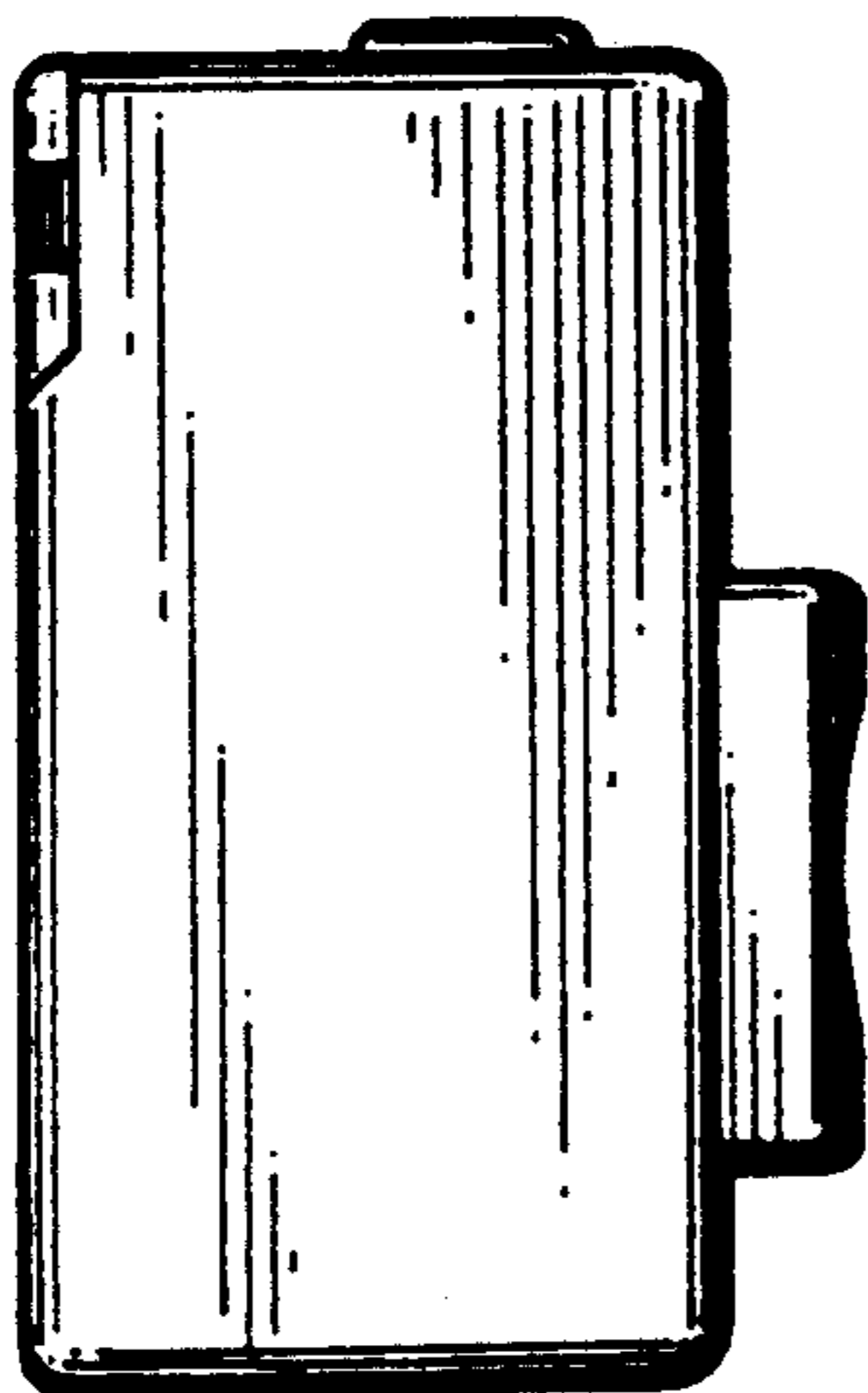


FIG. 7

