



US00D335295S

United States Patent [19]

[11] Patent Number: **Des. 335,295**

Rutherford

[45] Date of Patent: **** May 4, 1993**

[54] **SCREENING MODULE**

1,125,762 1/1915 Sturtevant 209/405 X
4,960,510 10/1990 Wolff 209/399 X

[75] Inventor: **William Rutherford, New South Wales, Australia**

Primary Examiner—Alan P. Douglas
Assistant Examiner—Antoine D. Davis
Attorney, Agent, or Firm—Hopgood, Calimafde, Kalil, Blaustein & Judlowe

[73] Assignee: **Floris Pty. Ltd., Islington, Australia**

[**] Term: **14 Years**

[57] **CLAIM**

[21] Appl. No.: **620,293**

The ornamental design for a screening module, as shown.

[22] Filed: **Nov. 30, 1990**

DESCRIPTION

[30] **Foreign Application Priority Data**

Sep. 27, 1990 [AU] Australia 3128/90

[52] U.S. Cl. **D15/199**

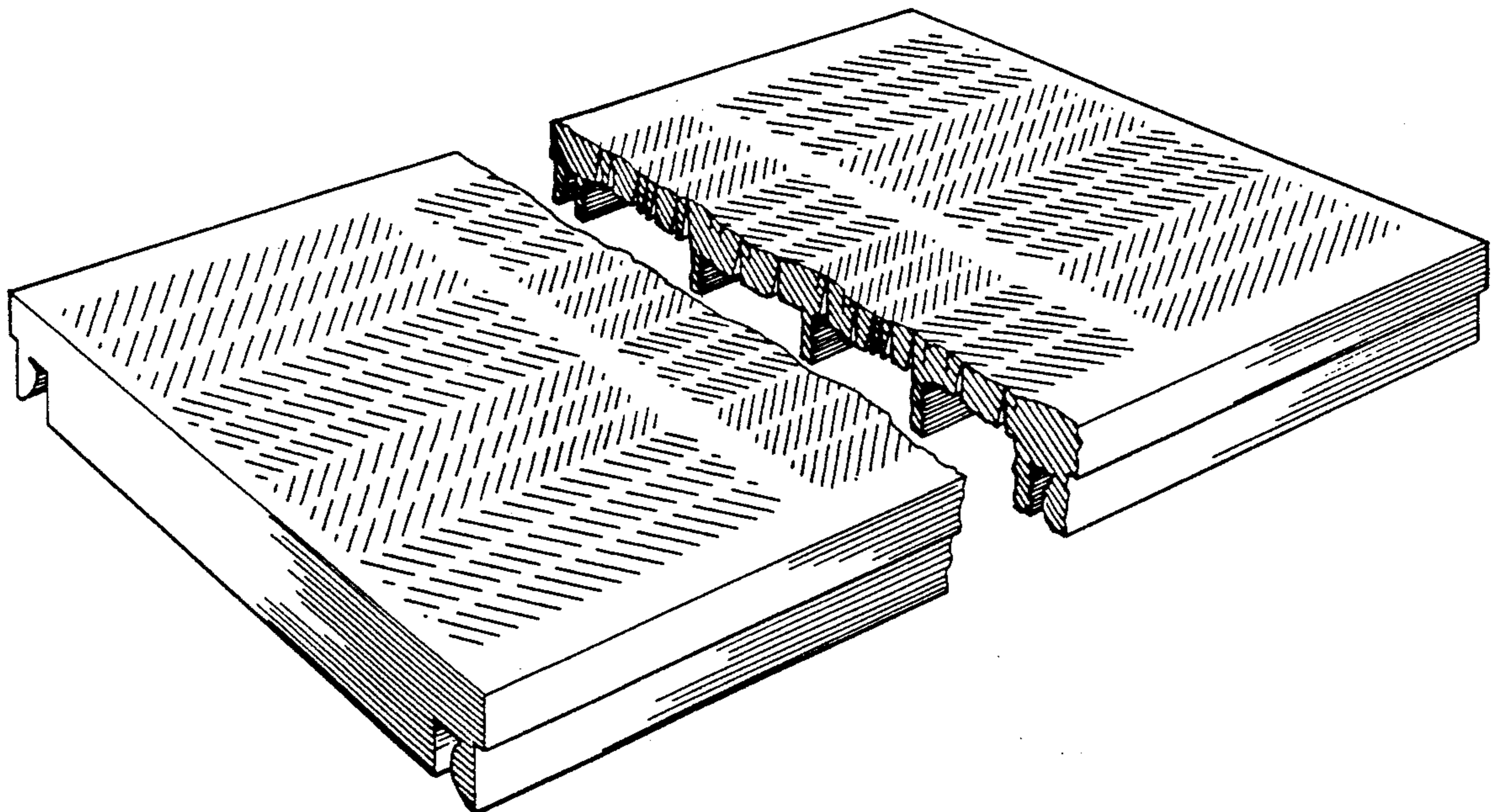
[58] Field of Search D15/28, 199; 52/281, 52/476, 507, 668, 762; 209/399, 405, 409

FIG. 1 is a top plan view of a screening module; FIG. 2 is an end view of said module as viewed from the left side of FIG. 1, the opposite end view being a mirror image; FIG. 3 is a plan view of the underside of the screening module shown in FIG. 1; FIG. 4 is a front elevational view of the screening modules shown in FIG. 3; the rear elevational view being a mirror image; and, FIG. 5 is a perspective view of the screening module as viewed from above the screening module shown in the plan view of FIG. 1.

[56] **References Cited**

U.S. PATENT DOCUMENTS

Re. 20,533 10/1937 Dustan 209/399
766,150 7/1904 Lovejoy 209/399 X
773,423 10/1904 Reynolds 209/399 X
1,086,183 2/1914 Johnson 209/399



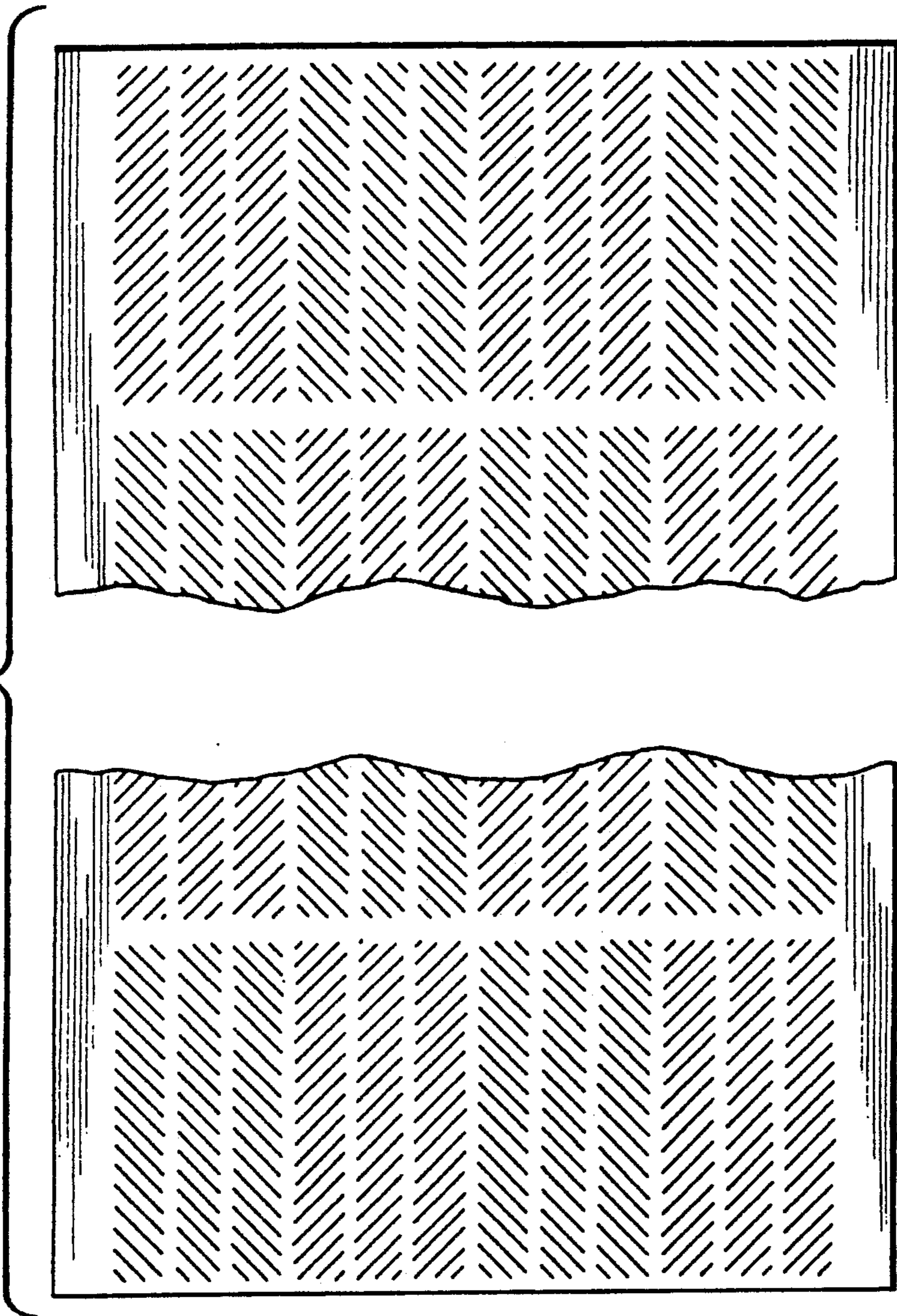


FIG. 1



FIG. 2

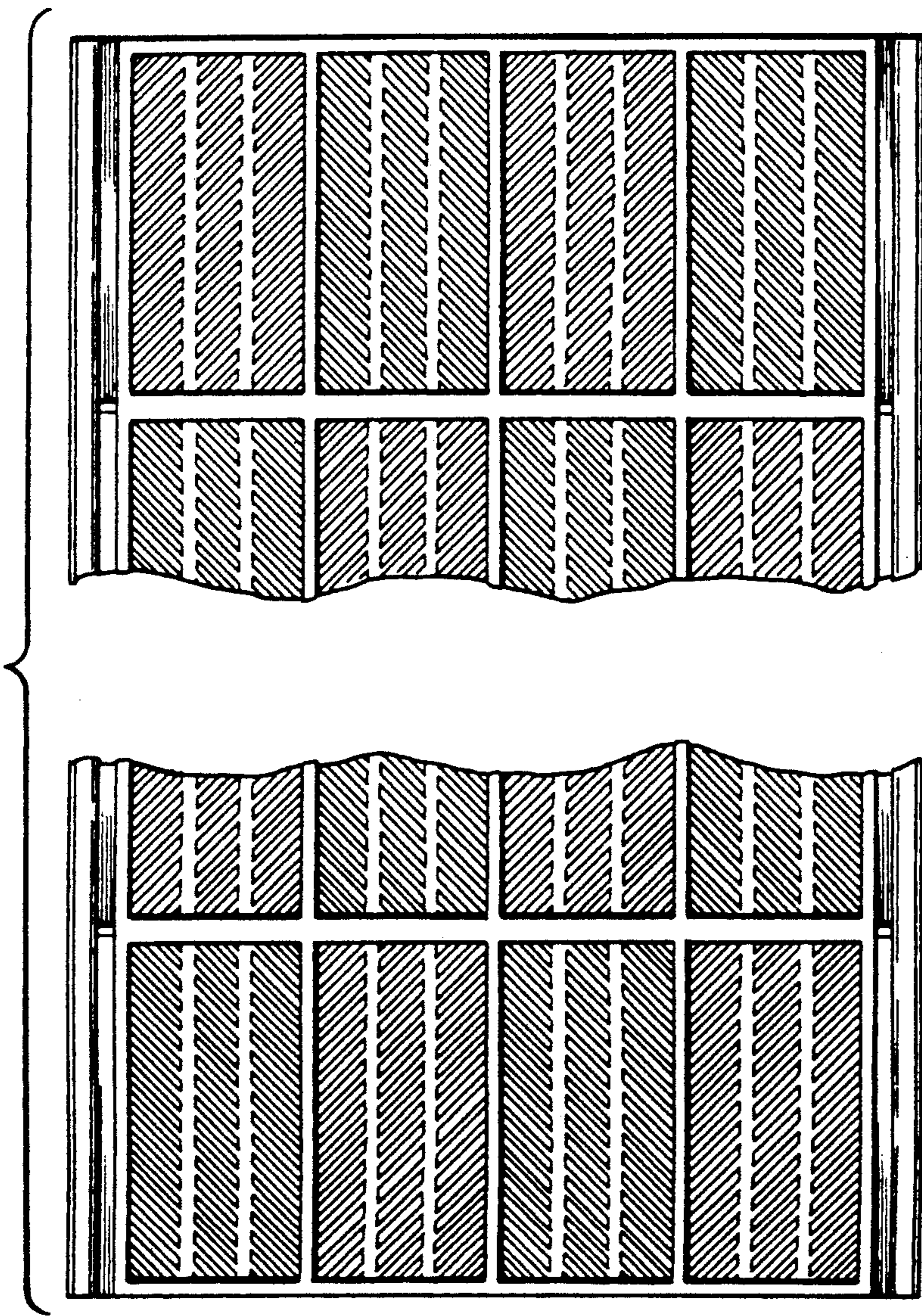


FIG. 3



FIG. 4

