



US00D335294S

United States Patent [19]
Vallien

[11] **Patent Number: Des. 335,294**
[45] **Date of Patent: ** May 4, 1993**

[54] **CENTRIFUGAL SEPARATOR**
[75] **Inventor: Bertil Vallien, Eriksmala, Sweden**
[73] **Assignee: Alfa-Laval Separation AB, Tumba, Sweden**
[**] **Term: 14 Years**
[21] **Appl. No.: 579,449**
[22] **Filed: Sep. 7, 1990**

4,413,773 11/1983 Rohde et al. 494/37
4,504,262 3/1985 Forsberg 494/84 X
4,915,682 4/1990 Stroucken 494/70
4,930,412 6/1990 Stroucken 494/70
4,944,883 7/1990 Schoendorfer et al. 210/380.1 X
5,096,573 3/1992 Bermudez 210/380.1 X

Primary Examiner—Alan P. Douglas
Assistant Examiner—Antoine D. Davis
Attorney, Agent, or Firm—Seidel, Gonda, Lavorgna & Monaco

[30] **Foreign Application Priority Data**

Mar. 9, 1990 [SE] Sweden 90-0545

[52] **U.S. Cl. D15/147**

[58] **Field of Search D15/147; 210/232, 370, 210/380.1, 484, 489, 490; 494/10, 12, 18, 28, 37, 45, 56, 61, 64, 68, 70, 74, 75, 76, 79, 80, 84, 85**

[57] **CLAIM**

The ornamental design of a centrifugal separator, as shown and described.

DESCRIPTION

FIG. 1 is a top and front perspective view of a centrifugal separator showing my new design;
FIG. 2 is a top and rear perspective view thereof;
FIG. 3 is a front elevational view thereof;
FIG. 4 is a rear elevational view thereof;
FIG. 5 is a left side elevational view thereof;
FIG. 6 is a right side elevational view thereof;
FIG. 7 is a top plan view thereof; and,
FIG. 8 is a bottom plan thereof.

[56] **References Cited**

U.S. PATENT DOCUMENTS

Re. 32,381 3/1987 Dudrey 494/64 X
D. 260,650 9/1981 Alviti D15/147
D. 288,693 3/1987 Wysolmierski D15/147
2,825,542 3/1958 Jackson D15/147 X

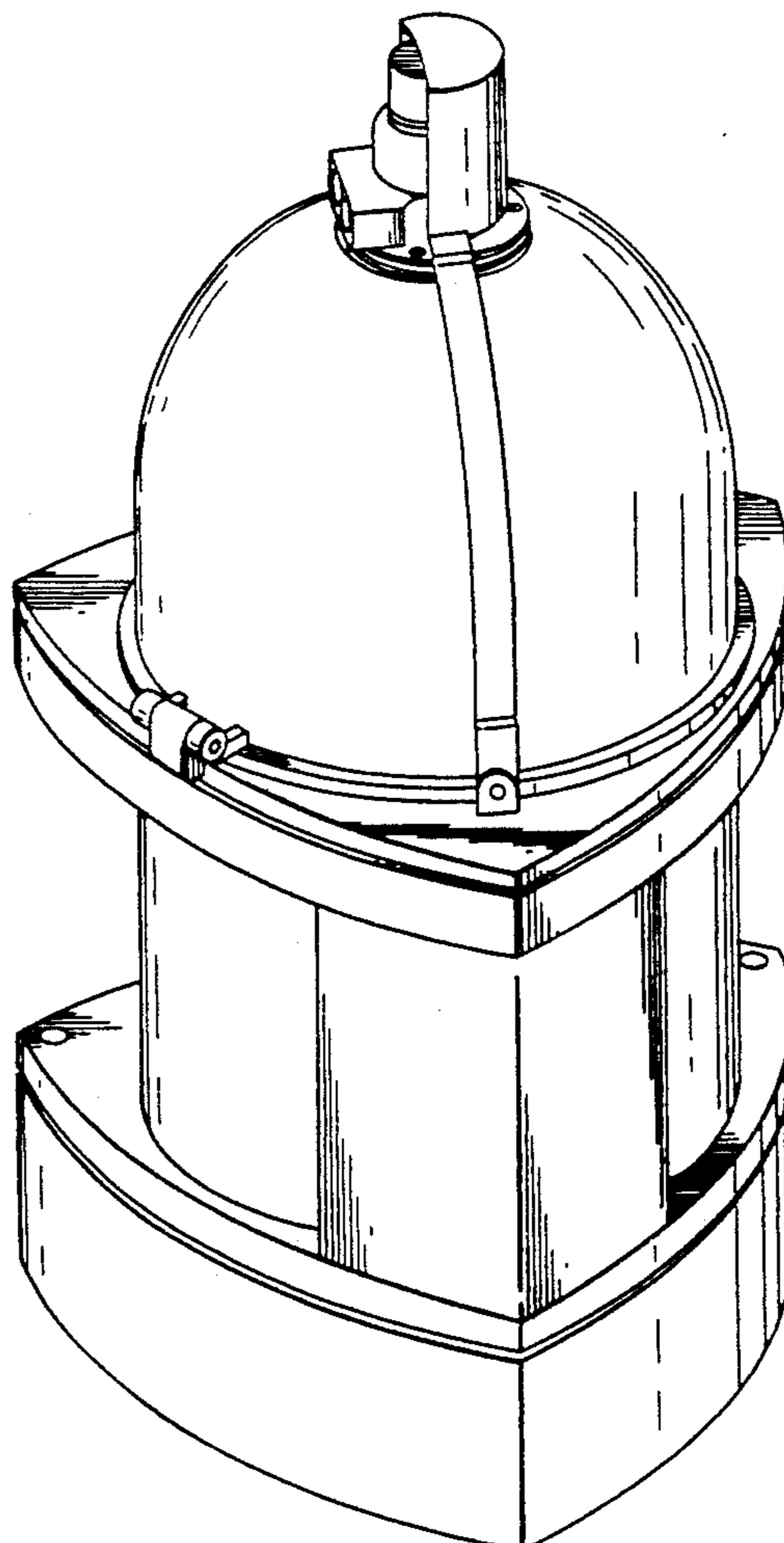
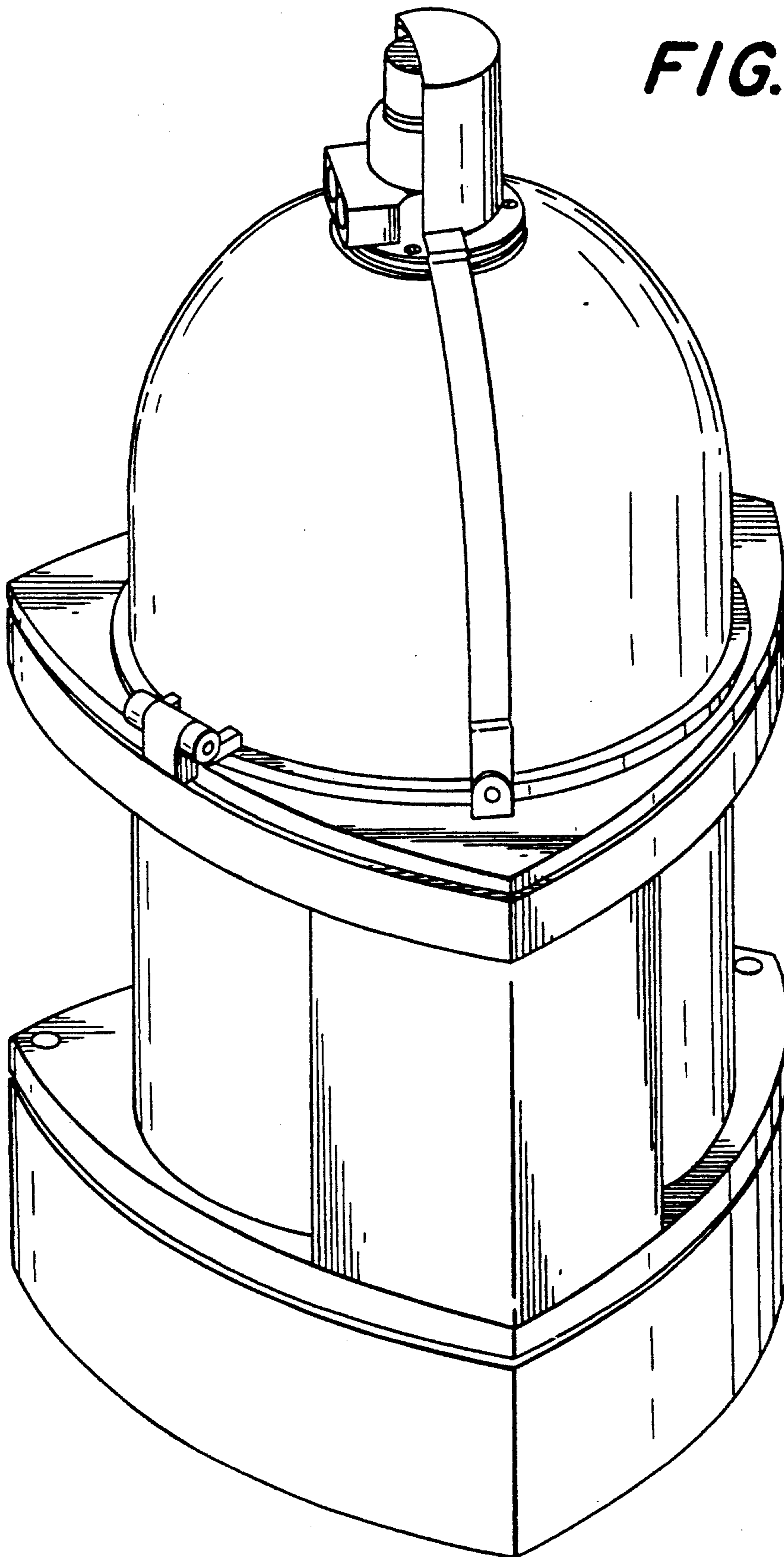


FIG. 1



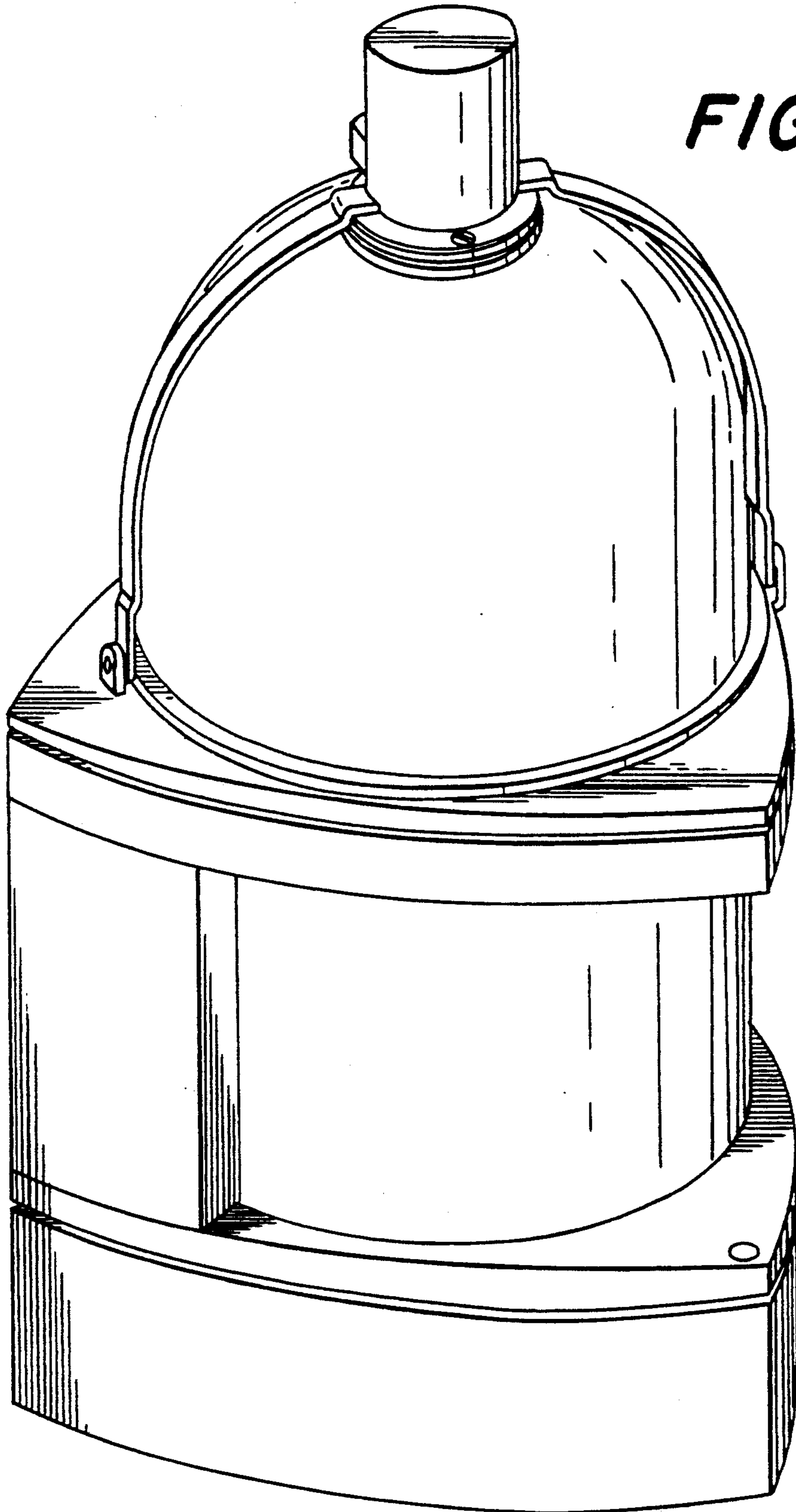


FIG. 2

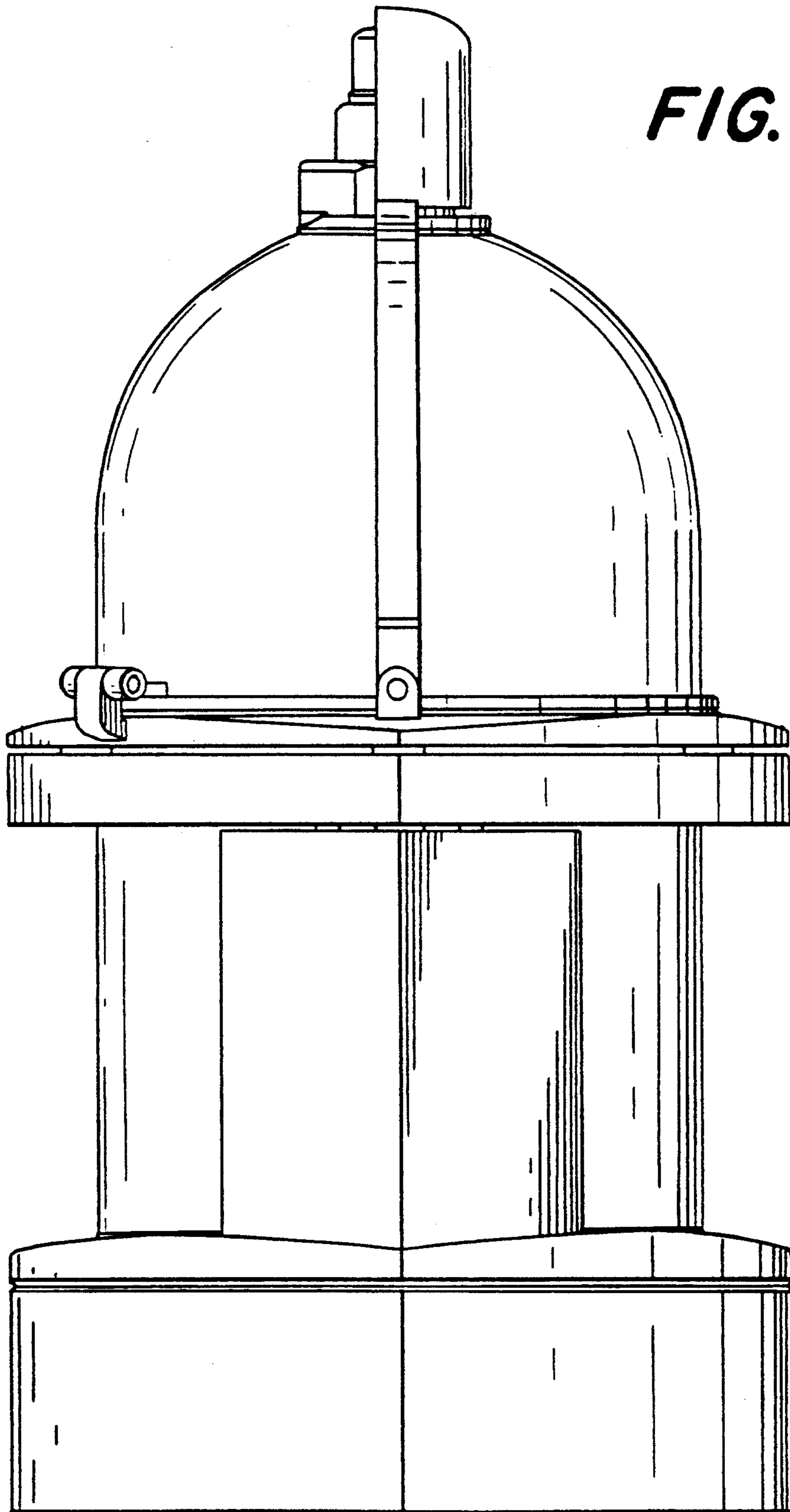


FIG. 3

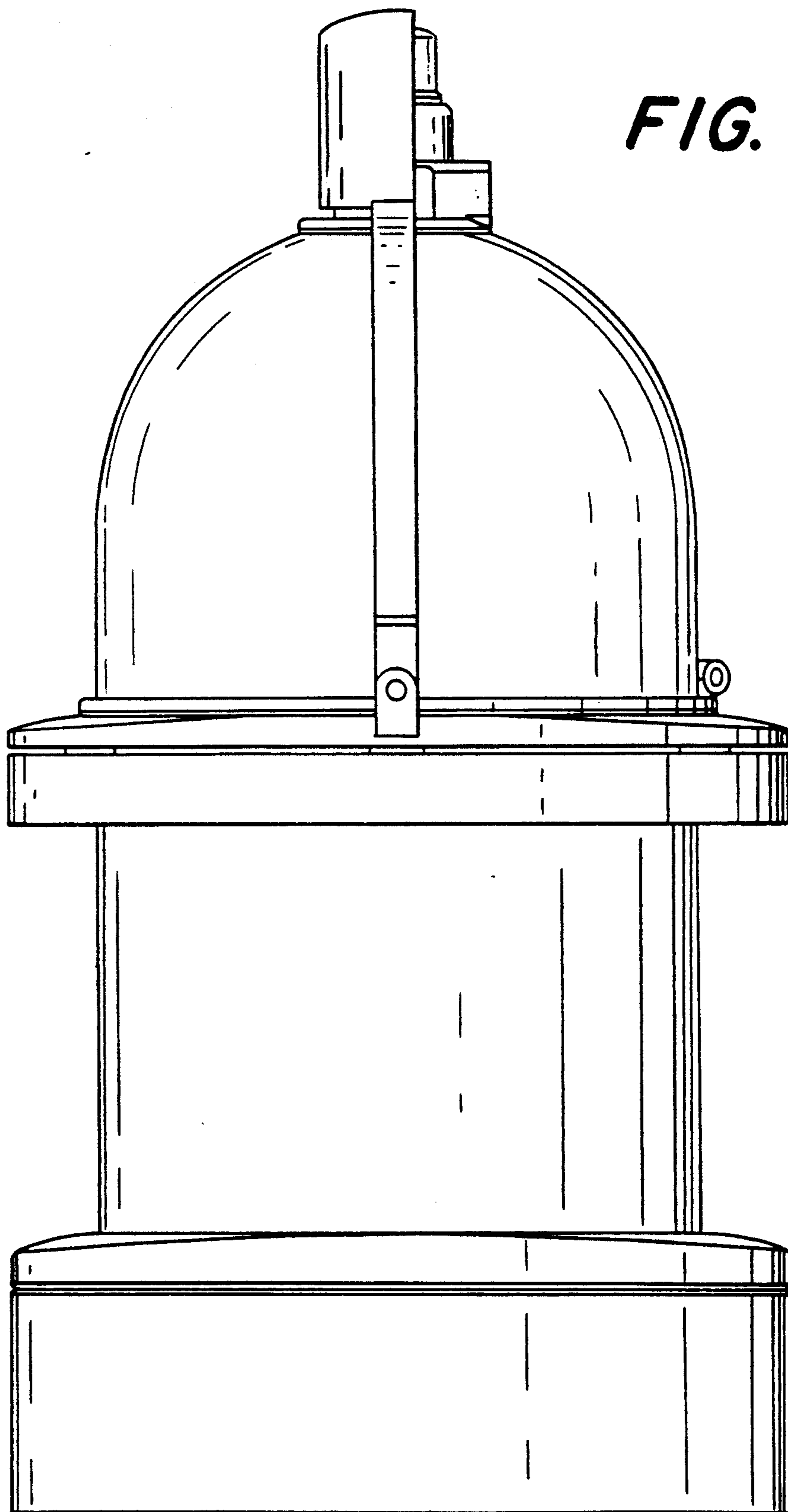
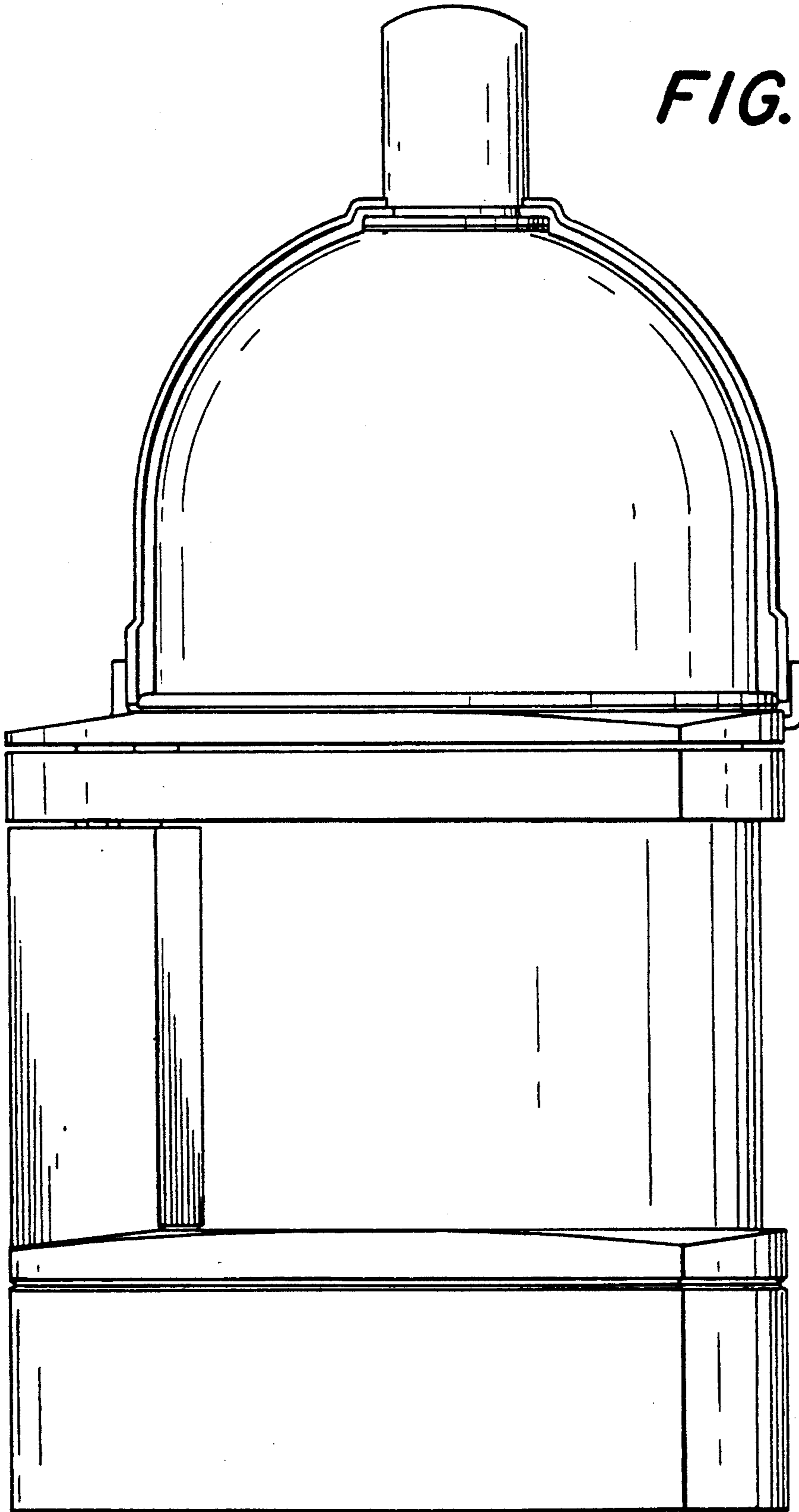


FIG. 4

FIG. 5



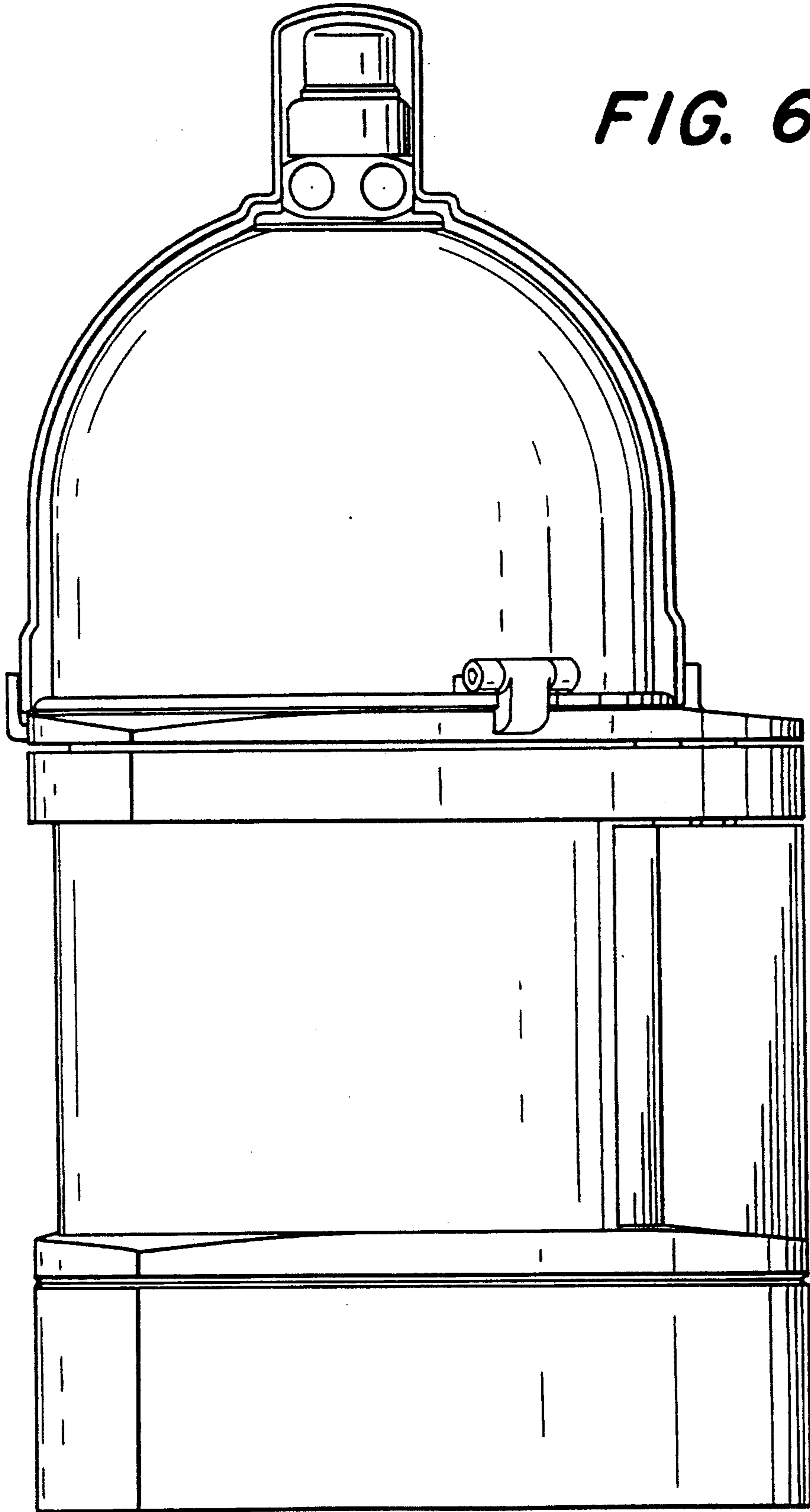


FIG. 6

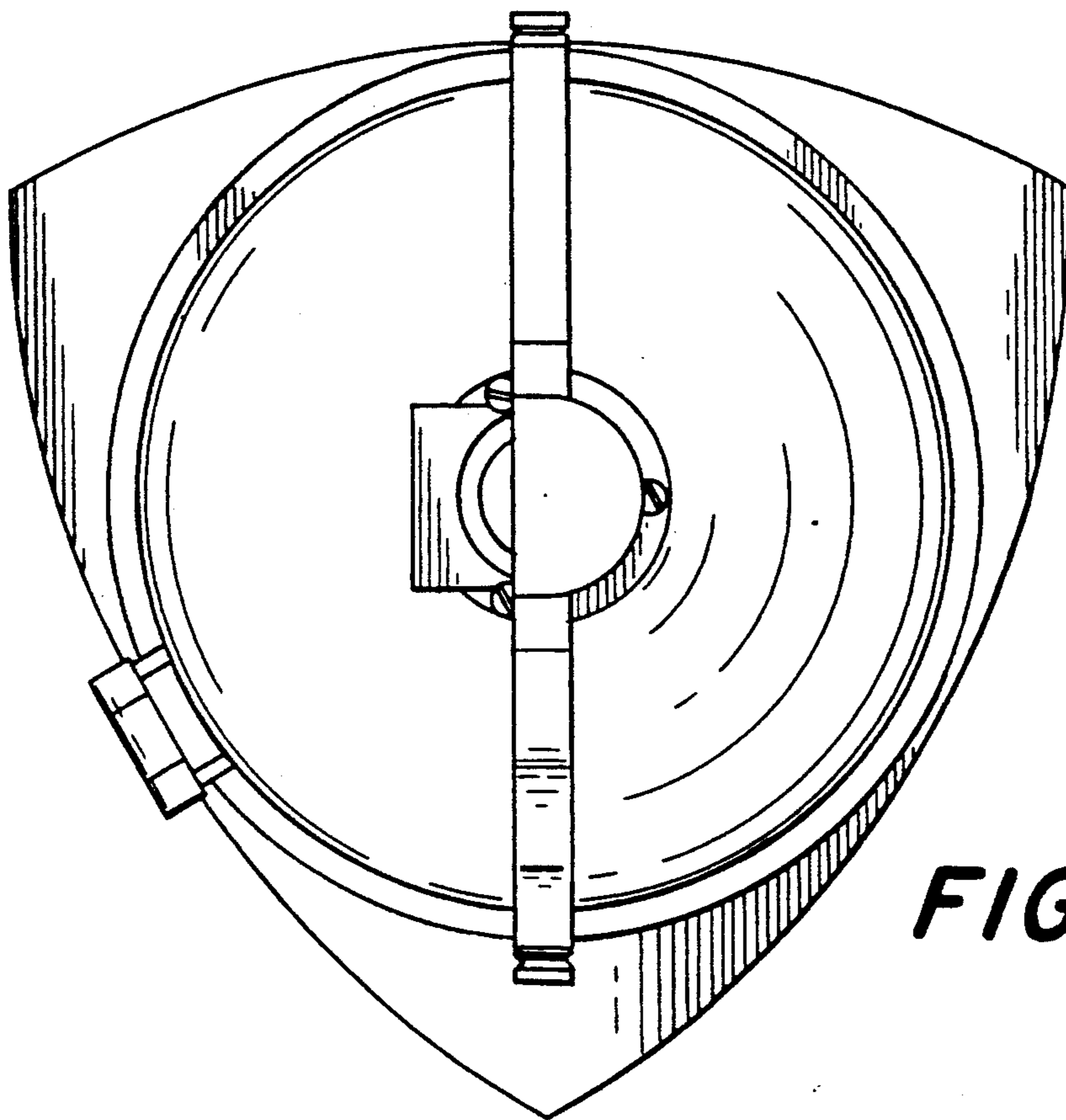


FIG. 7

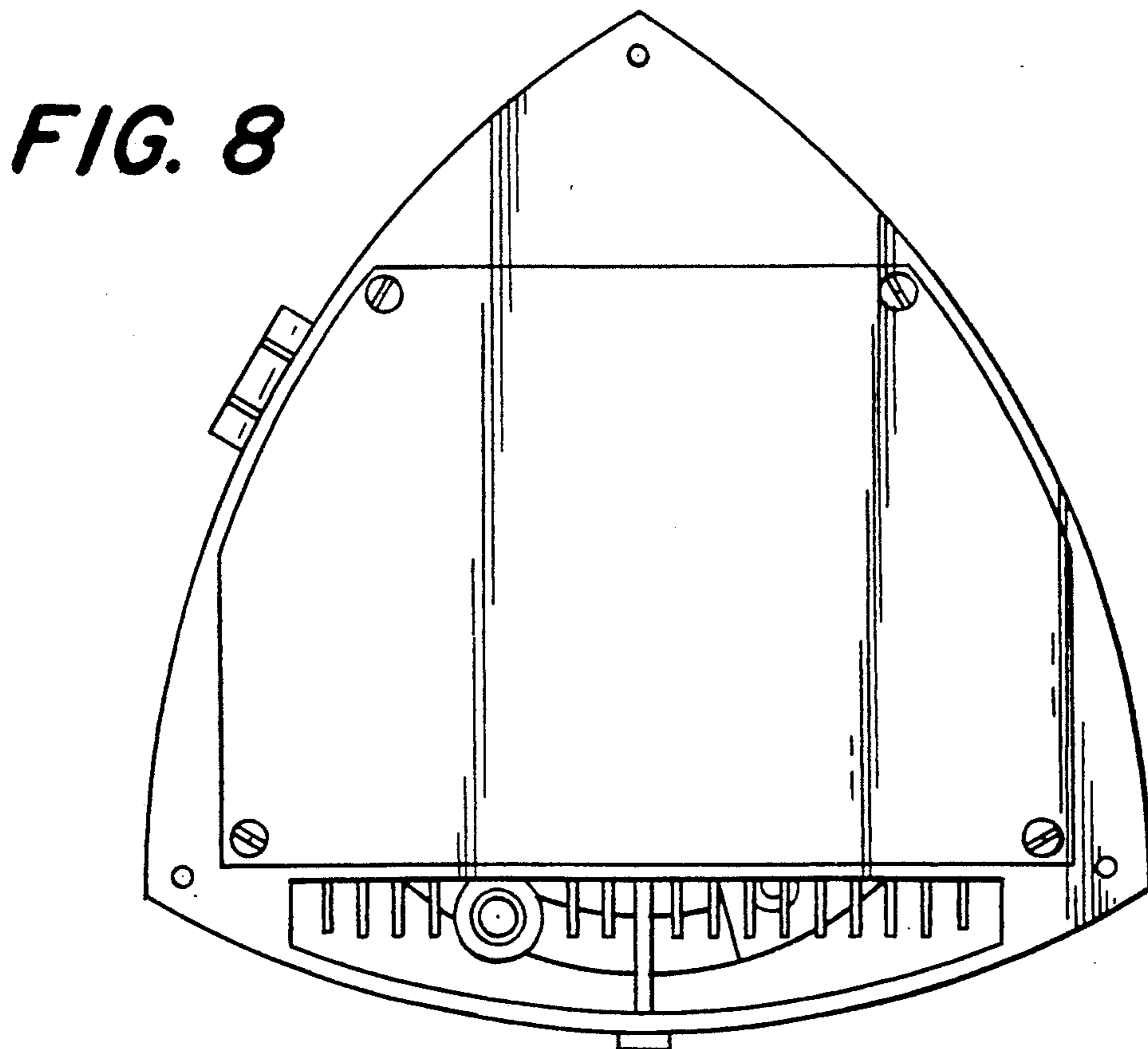


FIG. 8