



US00D335292S

# United States Patent [19]

[11] Patent Number: **Des. 335,292**

**Schnell**

[45] Date of Patent: **\*\* May 4, 1993**

[54] **COMBINED VACUUM PUMP AND COMPRESSOR**

[75] Inventor: **Manfred Schnell**, Schopfheim, Fed. Rep. of Germany

[73] Assignee: **Mannesmann AG**, Düsseldorf, Fed. Rep. of Germany

[\*\*] Term: **14 Years**

[21] Appl. No.: **653,441**

[22] Filed: **Feb. 4, 1991**

[30] **Foreign Application Priority Data**

Aug. 2, 1990 [DE] Fed. Rep. of Germany ..... M9005129.7

[52] U.S. Cl. .... **D15/7**

[58] Field of Search ..... **D15/7-9.1, D15/1; 417/83, 187, 188, 360, 361, 462, 552, 380, 410, 900, 151; D24/8**

[56] **References Cited**

**U.S. PATENT DOCUMENTS**

D. 282,471	2/1986	Bearint et al. ....	D15/9
D. 282,546	2/1986	Ozu et al. ....	D15/9
D. 294,361	2/1988	Williams ....	D15/9
D. 299,143	12/1988	Hazlehurst ....	D15/7
D. 315,912	4/1991	Nishida et al. ....	D15/7
D. 317,313	6/1991	Yoshida et al. ....	D15/9
D. 317,922	7/1991	Toyoda et al. ....	D15/5

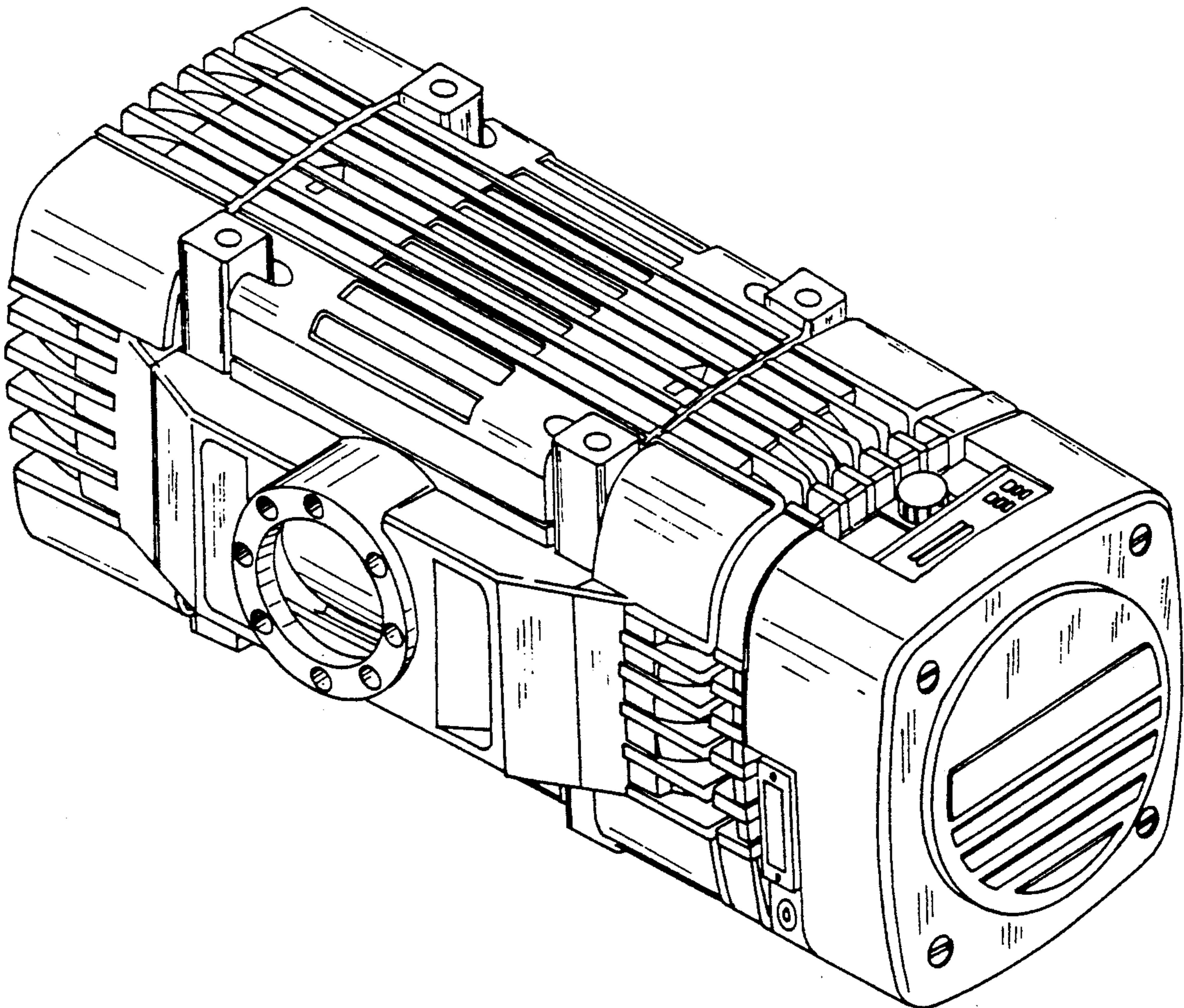
*Primary Examiner*—A. Hugo Word  
*Assistant Examiner*—R. Seifert  
*Attorney, Agent, or Firm*—R. H. Siegemund

[57] **CLAIM**

The ornamental design for a combined vacuum pump and compressor, as shown.

**DESCRIPTION**

FIG. 1 is a perspective view of a combined vacuum pump and compressor showing my new design; FIG. 2 is a front elevational view; FIG. 3 is a rear elevational view; FIG. 4 is a top plan view; FIG. 5 is a bottom plan view; FIG. 6 is a left side elevational view; and, FIG. 7 is a right side elevational view.



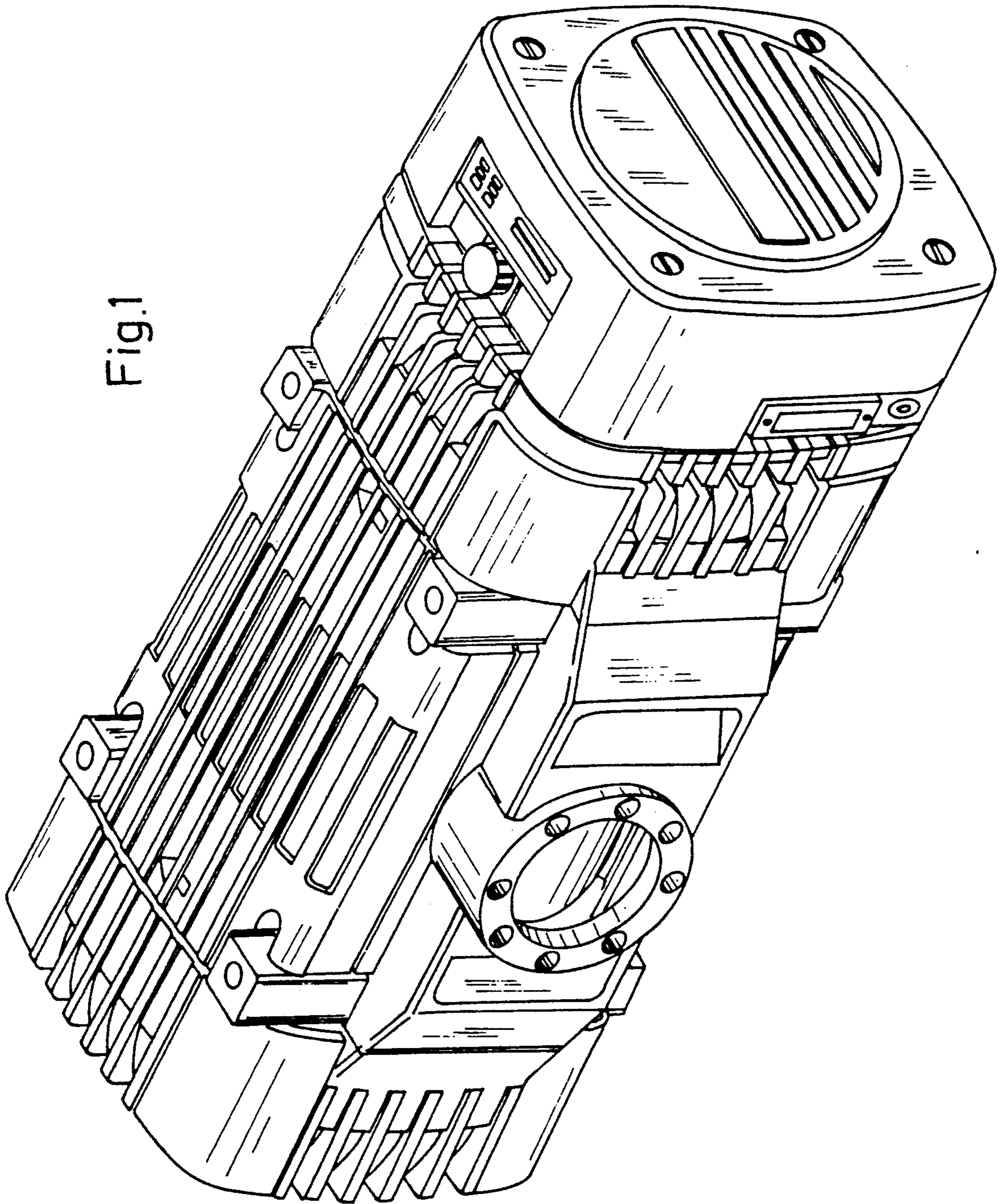


Fig.1



Fig.2

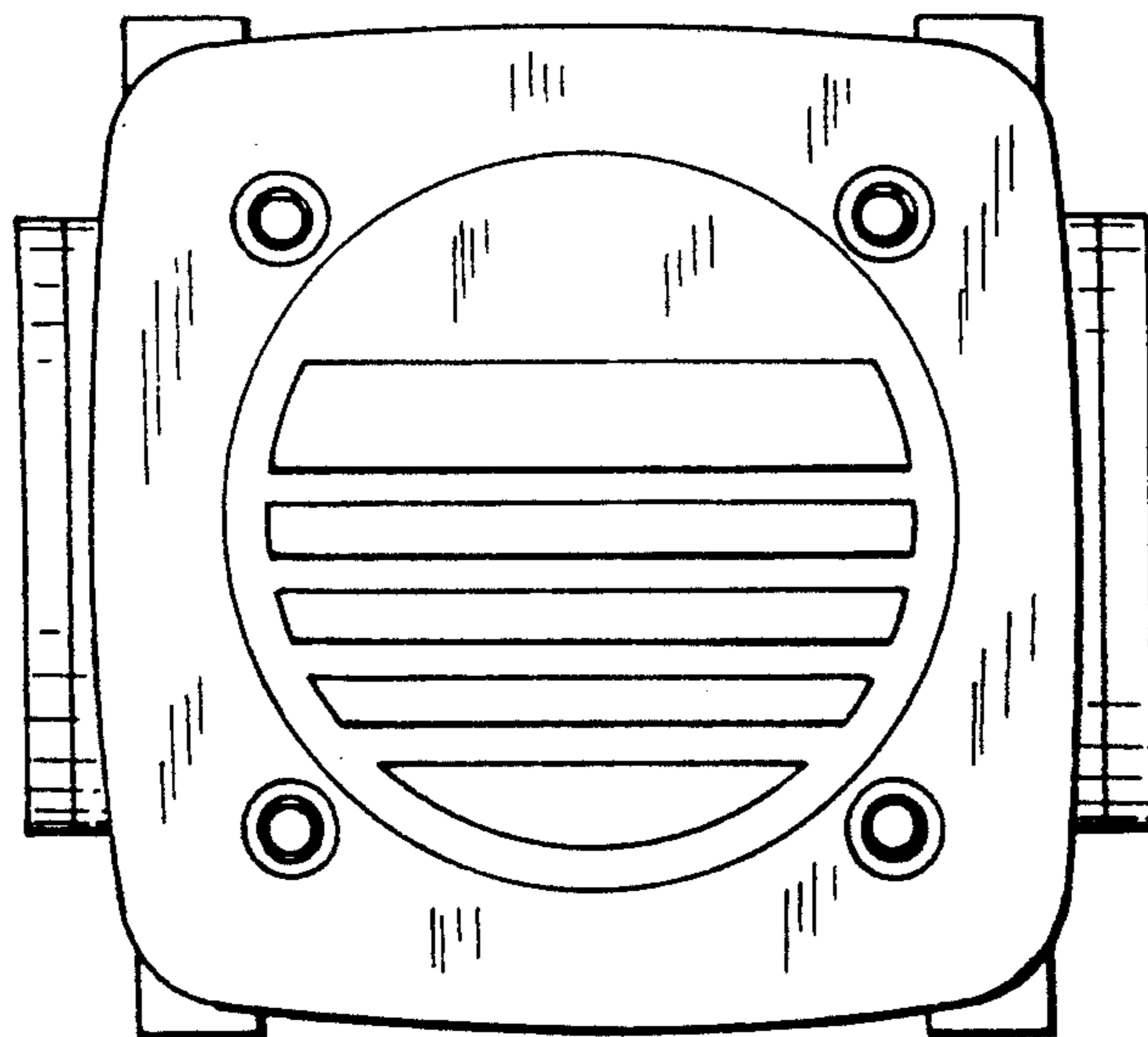


Fig.3

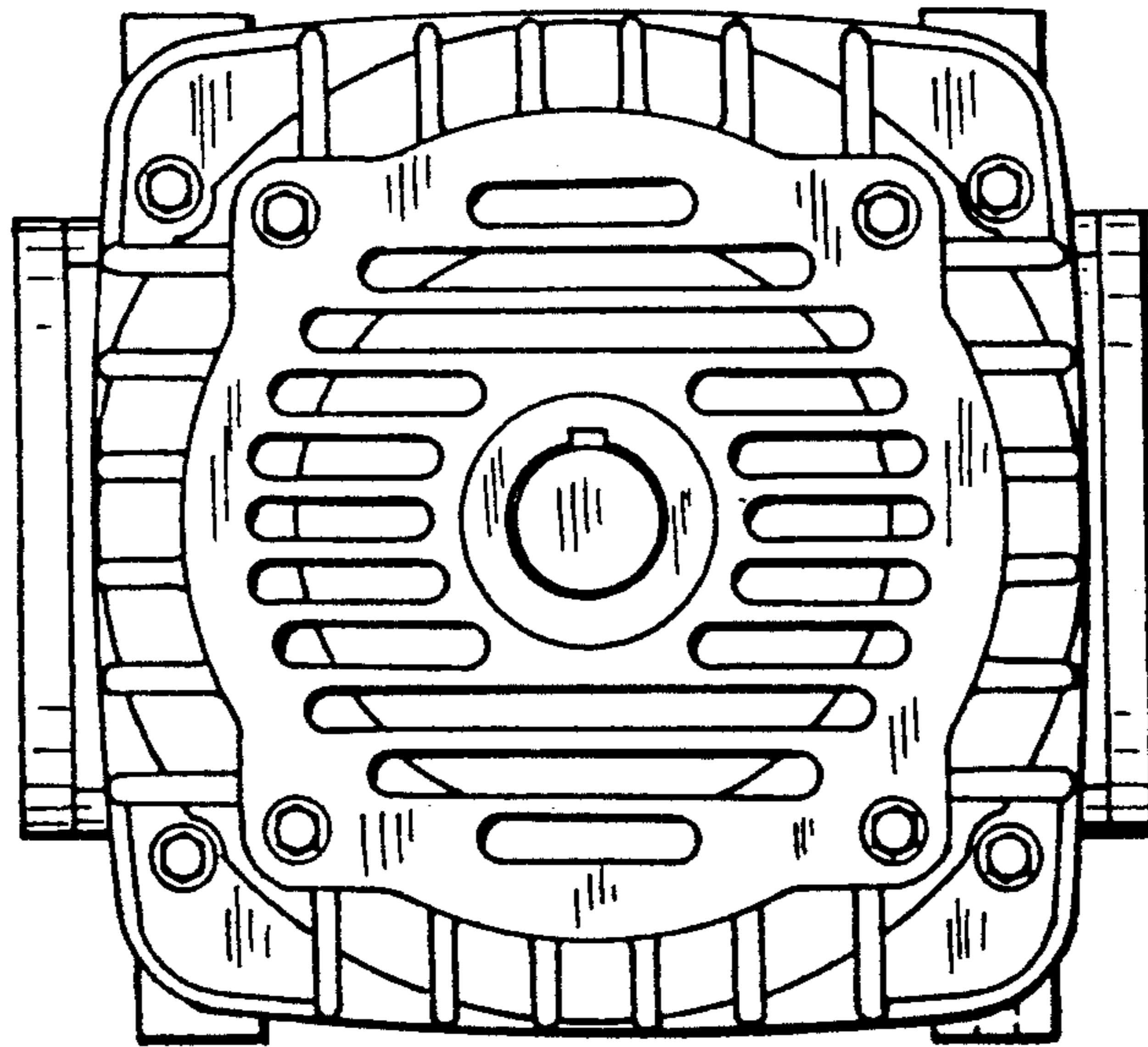


Fig. 4

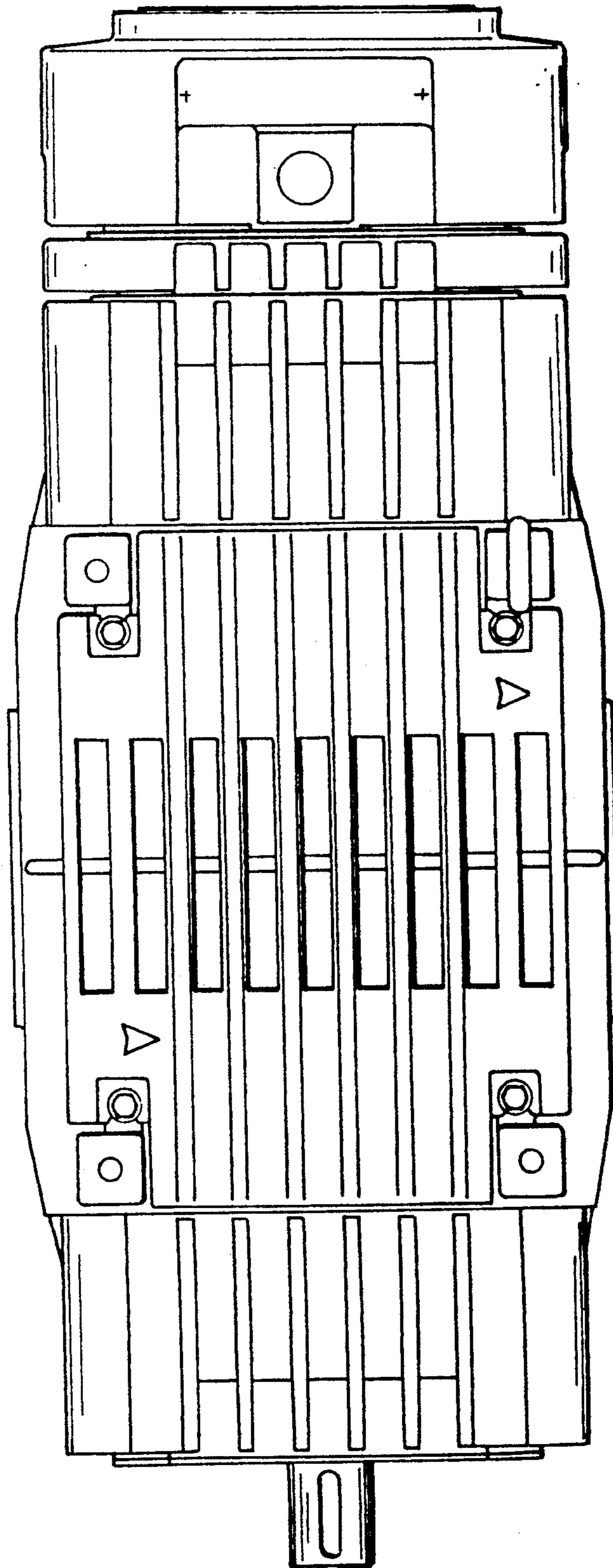


Fig.5

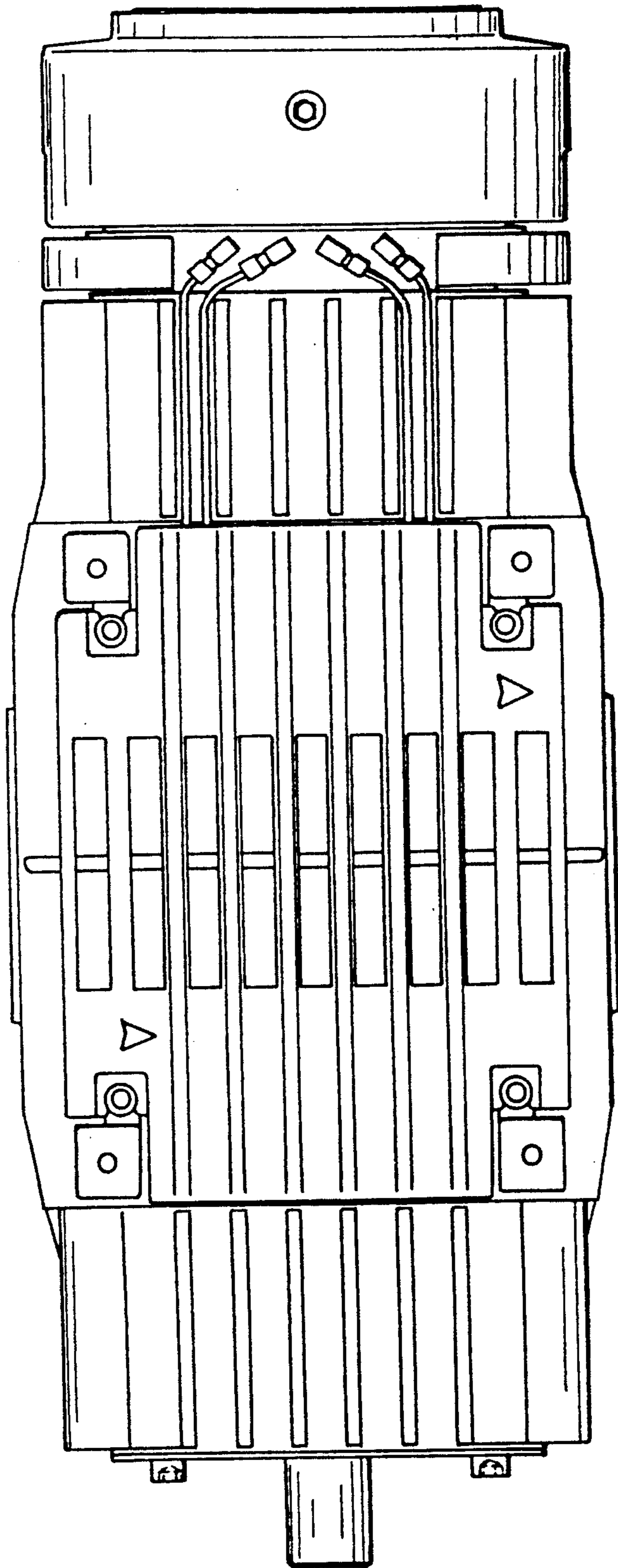


Fig. 6

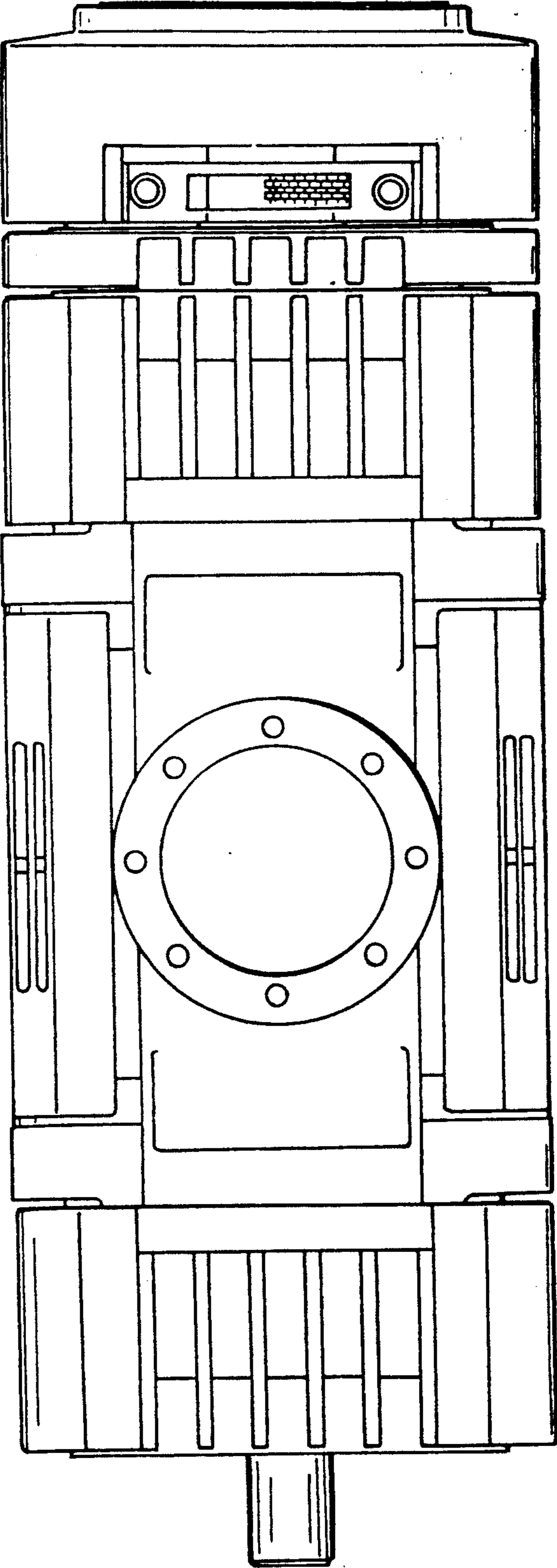


Fig.7

