



US00D335291S

# United States Patent [19]

[11] Patent Number: **Des. 335,291**

**Schnell**

[45] Date of Patent: **\*\* May 4, 1993**

[54] **COMBINED VACUUM PUMP AND COMPRESSOR**

[75] Inventor: **Manfred Schnell, Schopfheim, Fed. Rep. of Germany**

[73] Assignee: **Mannesmann AG, Düsseldorf, Fed. Rep. of Germany**

[\*\*] Term: **14 Years**

[21] Appl. No.: **653,439**

[22] Filed: **Feb. 4, 1991**

[30] **Foreign Application Priority Data**

Aug. 2, 1990 [DE] Fed. Rep. of Germany ..... M9005129.7

[52] U.S. Cl. .... **D15/7**

[58] Field of Search ..... **D15/7-9.2;**  
417/83, 187, 188, 360, 462, 552, 390, 410, 900

[56] **References Cited**

**U.S. PATENT DOCUMENTS**

D. 282,471 2/1986 Bearint et al. .... D15/9

D. 282,546 2/1986 Ozu et al. .... D15/9  
D. 294,361 2/1988 Williams ..... D15/9  
D. 299,143 12/1988 Hazlehurst ..... D15/7  
D. 315,912 4/1991 Nishida et al. .... D15/7  
D. 317,313 6/1991 Yoshida et al. .... D15/9  
D. 317,922 7/1991 Toyoda et al. .... D15/5

*Primary Examiner*—A. Hugo Word  
*Assistant Examiner*—R. Seifert  
*Attorney, Agent, or Firm*—R. H. Siegemund

[57] **CLAIM**

The ornamental design for a combined vacuum pump and compressor, as shown.

**DESCRIPTION**

FIG. 1 is a perspective view of a combined vacuum pump and compressor showing my new design; FIG. 2 is a front elevational view; FIG. 3 is a rear elevational view; FIG. 4 is a top plan view; FIG. 5 is a bottom plan view; FIG. 6 is a left side elevational view; and, FIG. 7 is a right side elevational view.

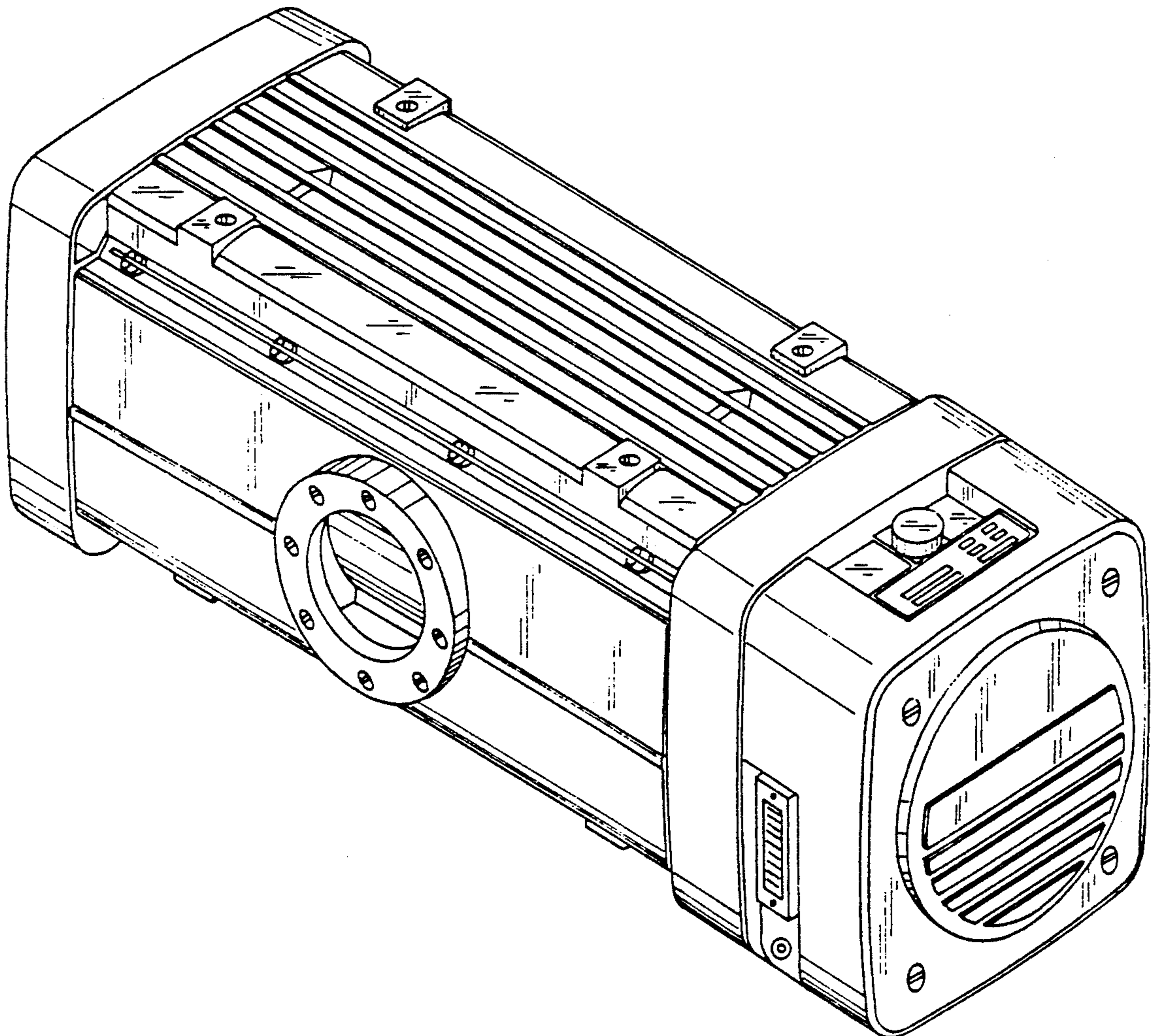


Fig.1

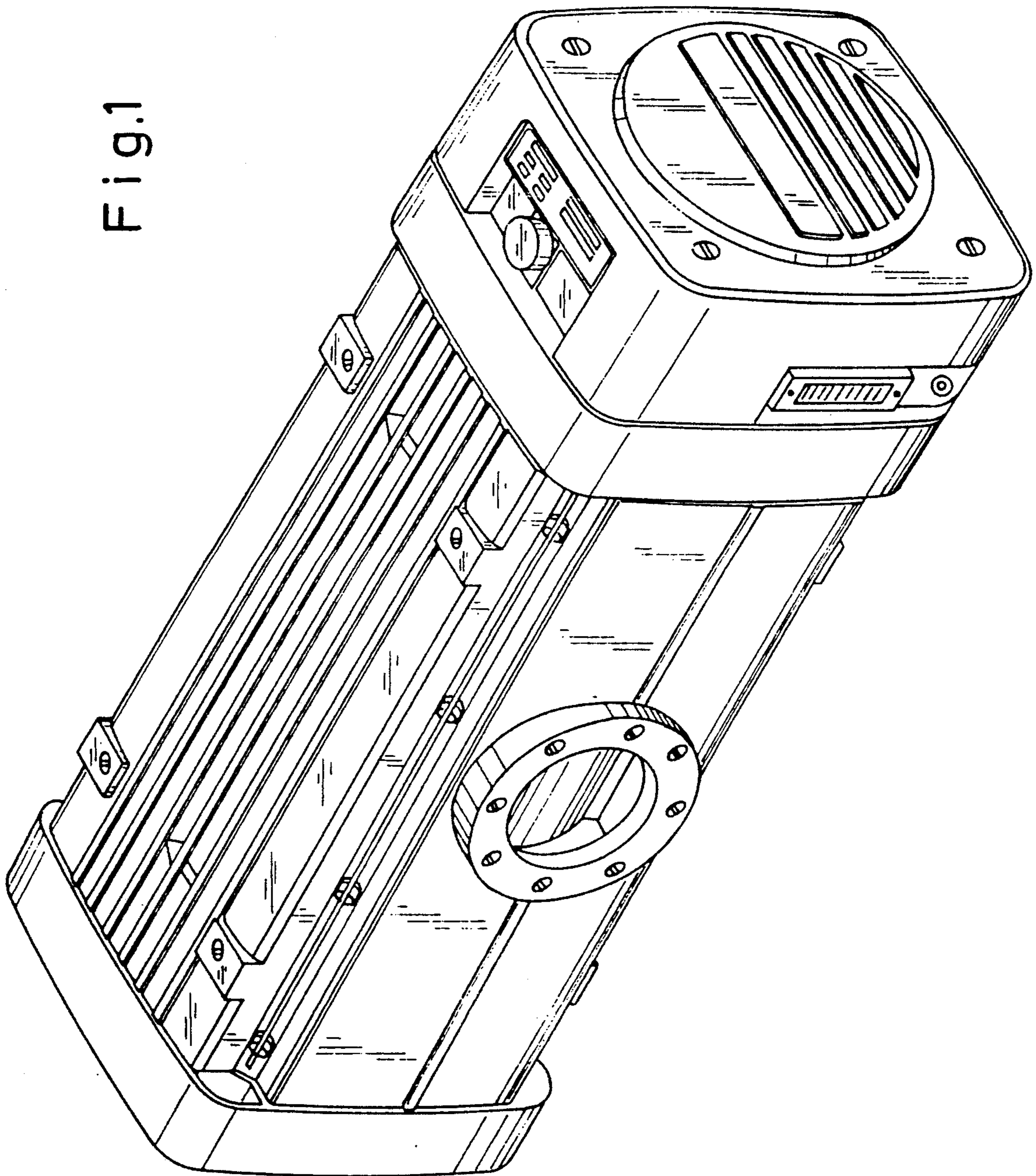


Fig.2

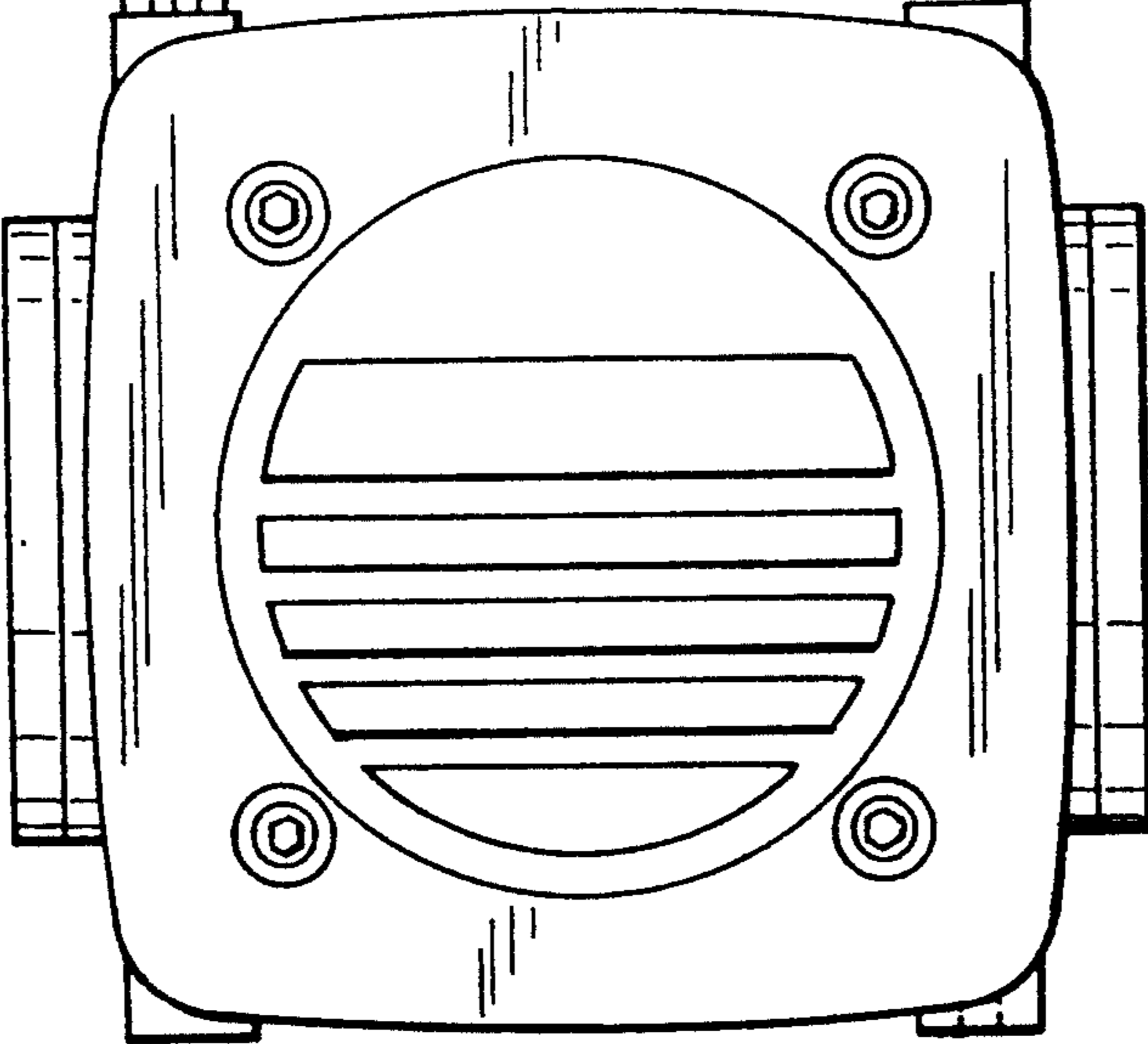


Fig.3

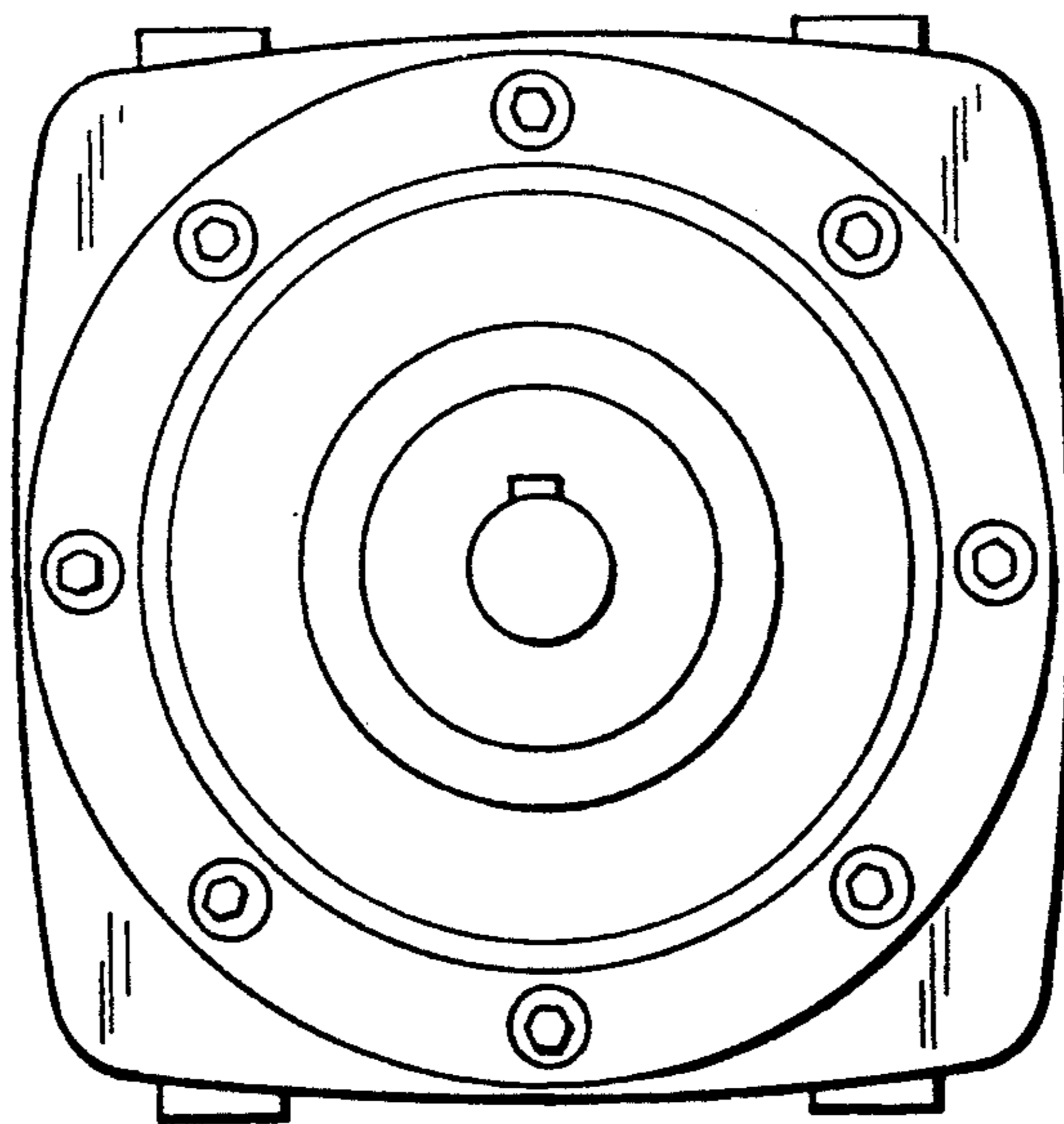


Fig.4

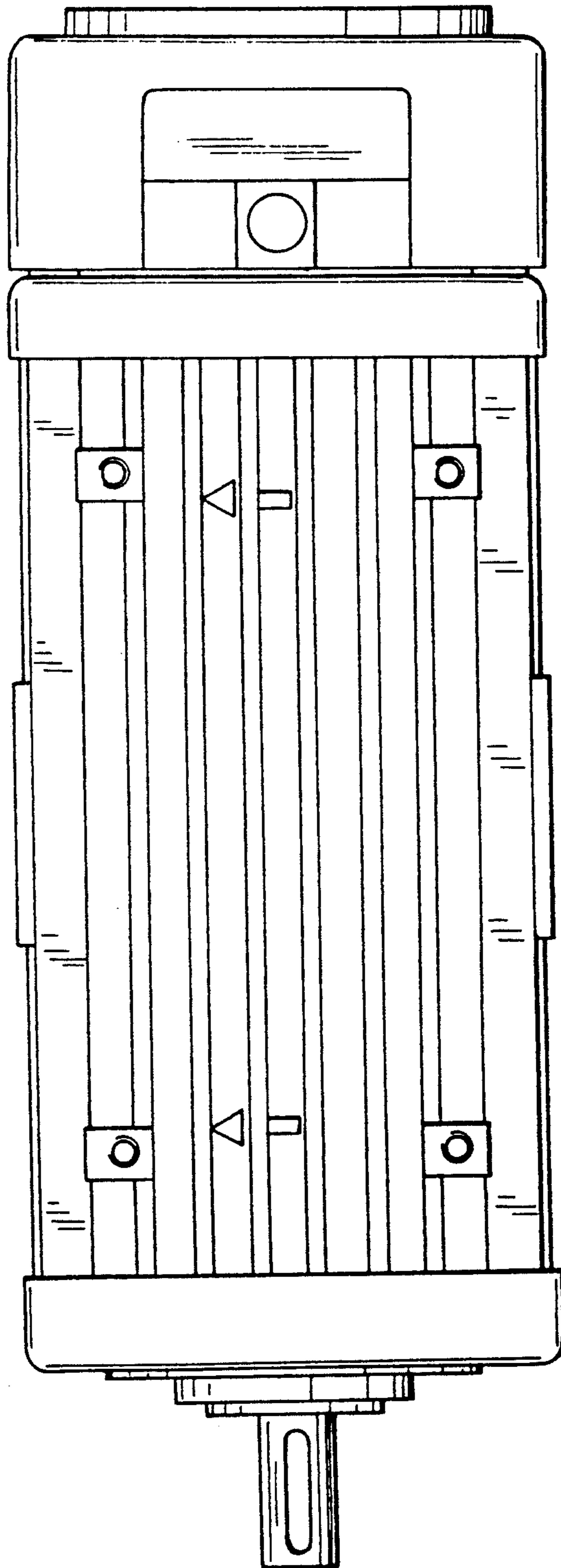


Fig. 5

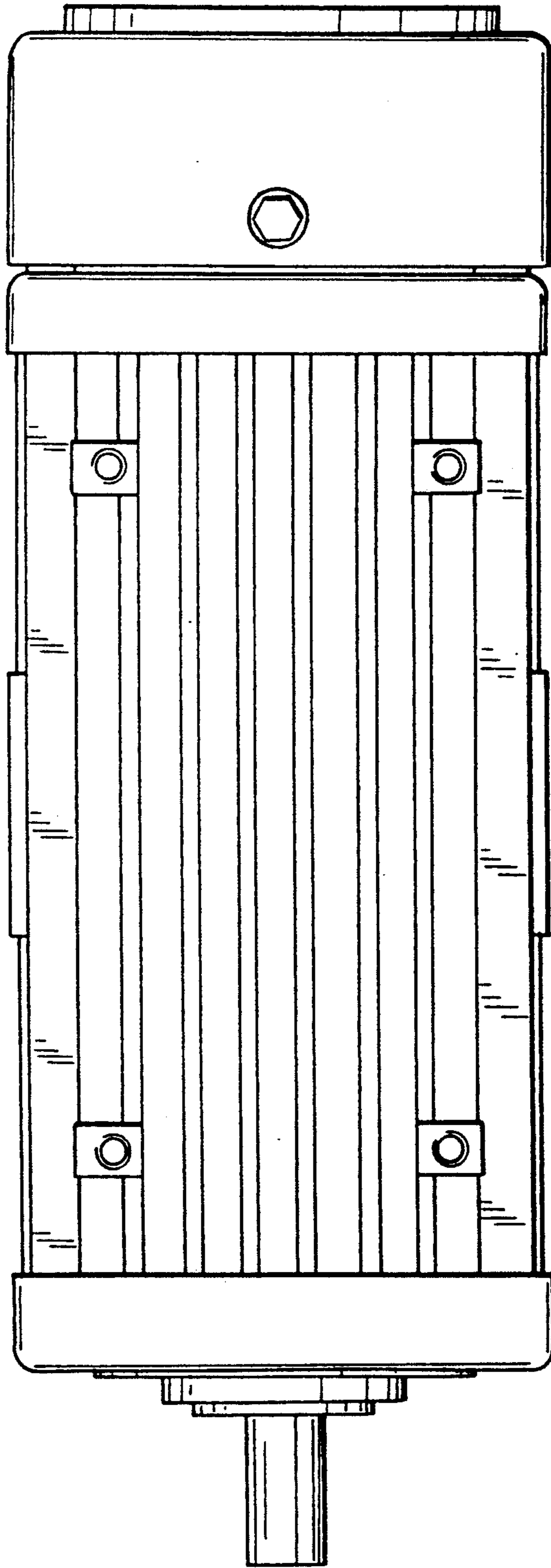


Fig.6

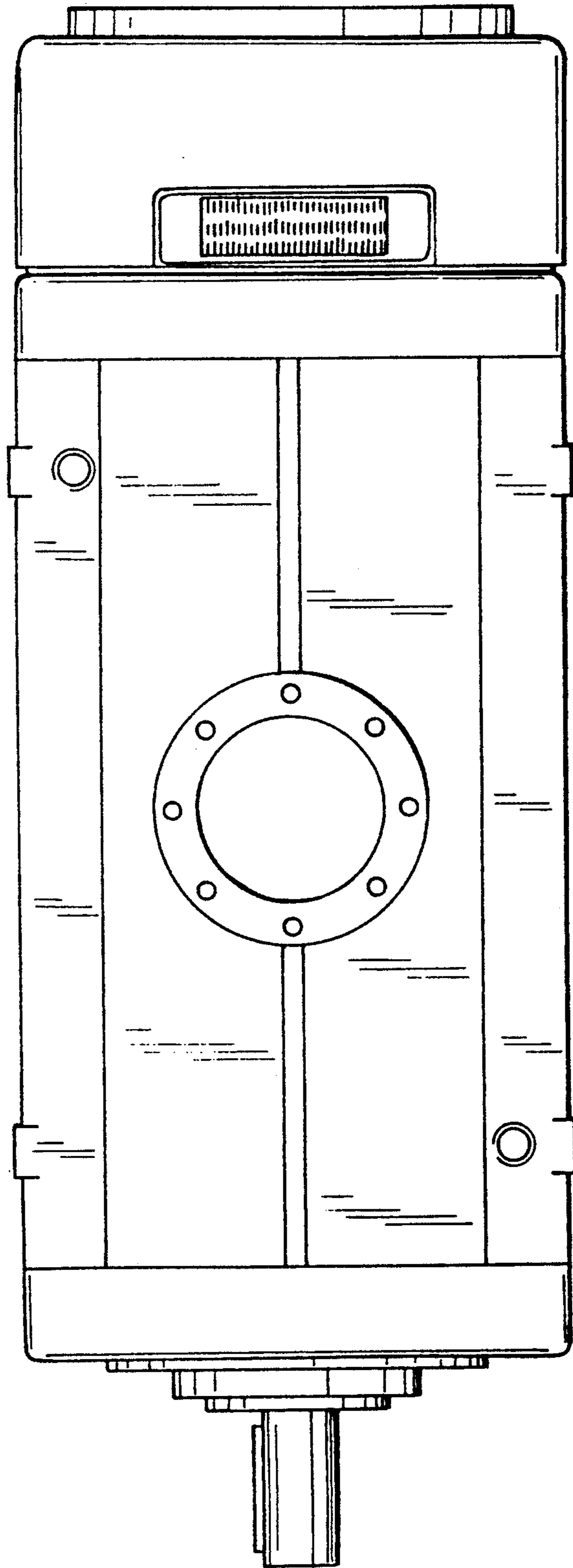


Fig.7

