



US00D335286S

United States Patent [19]

Savio

[11] Patent Number: **Des. 335,286**

[45] Date of Patent: **** May 4, 1993**

- [54] **COUNTERTOP PROCESSOR**
- [75] Inventor: **Dino M. Savio, Clearwater, Fla.**
- [73] Assignee: **International Business Machines Corp., Armonk, N.Y.**
- [**] Term: **14 Years**
- [21] Appl. No.: **524,761**
- [22] Filed: **May 15, 1990**
- [52] U.S. Cl. **D14/105; D18/4**
- [58] Field of Search **D14/100, 105, 106, 113, D14/115, 101; D18/1, 4, 7; 235/145 A, 145 R, 7 R, 2, 6, 383; 364/405, 706-708; 340/700, 706; 341/22, 23; 361/390; 194/205**

3,335,407	8/1967	Lange et al.	364/404
4,213,179	7/1980	Hamano et al.	364/405
5,113,060	5/1992	Wike, Jr. et al.	235/383

OTHER PUBLICATIONS

Office Products May 1979 p. 88 Electronic Cash Register.

Primary Examiner—Wallace R. Burke
Assistant Examiner—Freda S. Nunn
Attorney, Agent, or Firm—Romualdas Strimaitis

[57] CLAIM

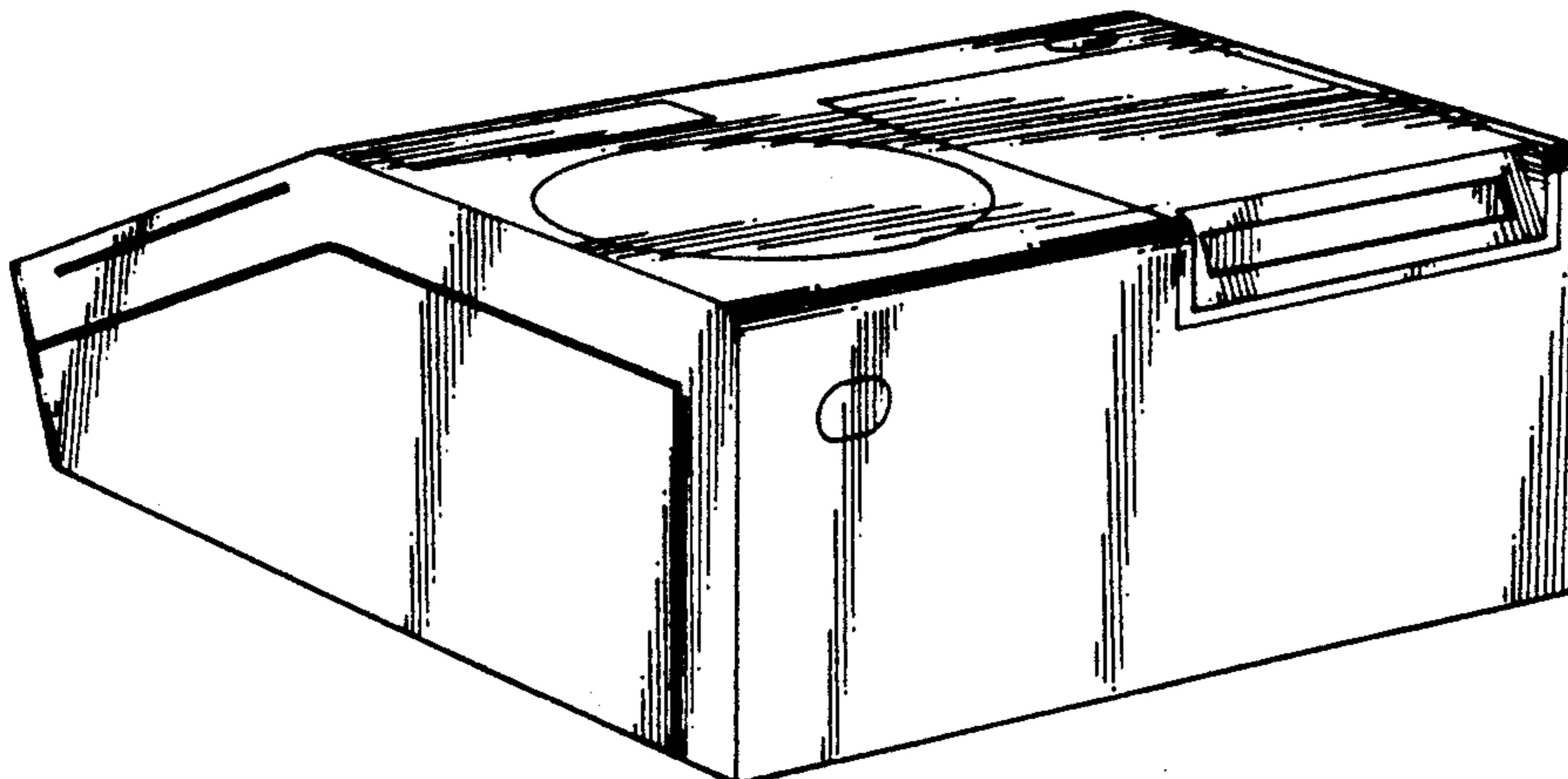
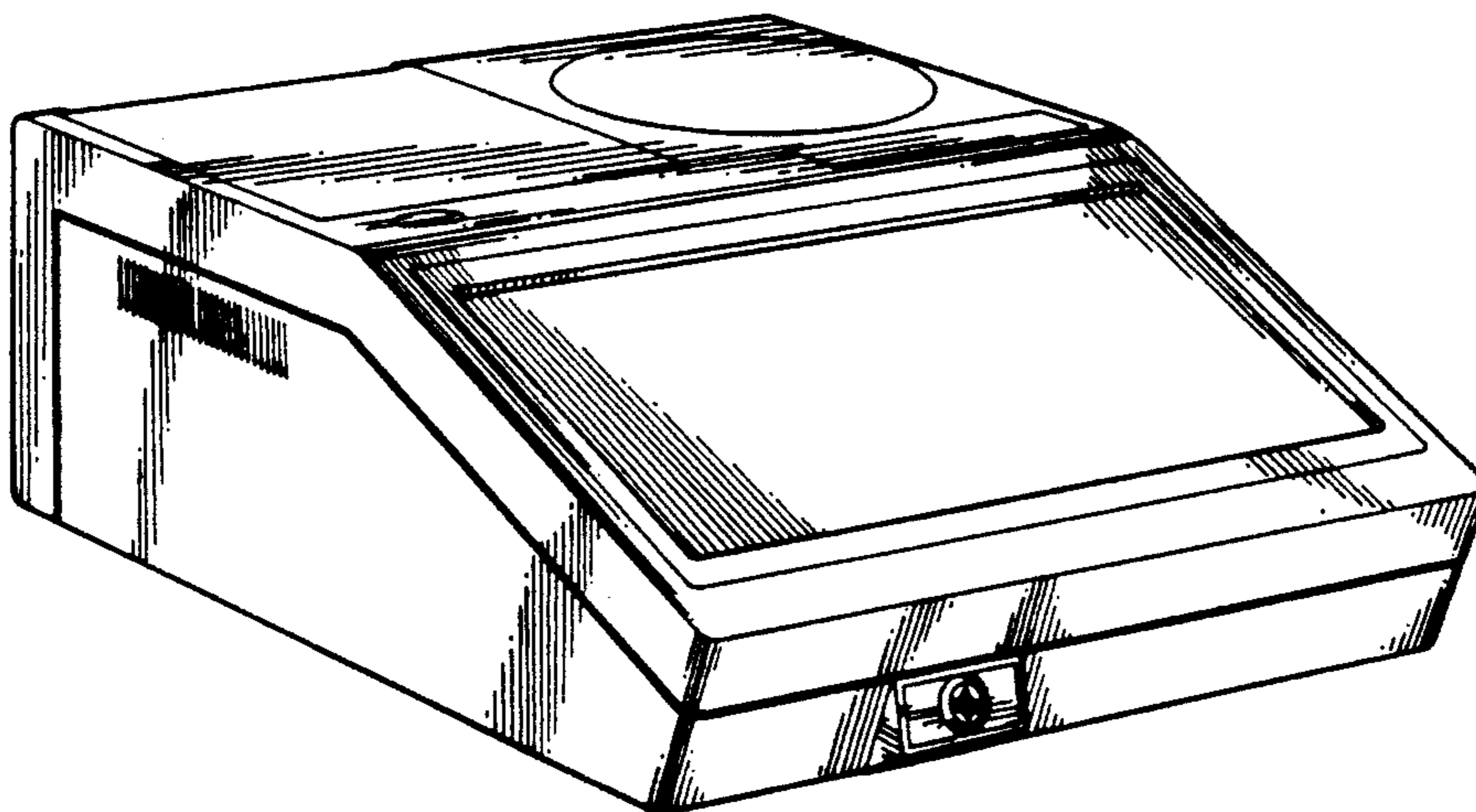
The ornamental design for a countertop processor, as shown and described.

DESCRIPTION

FIG. 1 is a top front and right side perspective view of a countertop processor showing my new design;
 FIG. 2 is a top front and left side perspective view thereof;
 FIG. 3 is a rear and left side perspective view thereof;
 FIG. 4 is a rear and right side perspective view thereof;
 FIG. 5 is a right side elevational view thereof;
 FIG. 6 is a left side elevational view thereof;
 FIG. 7 is a front elevational view thereof; and,
 FIG. 8 is a rear elevational view thereof.

[56] **References Cited**
U.S. PATENT DOCUMENTS

D. 260,990	9/1981	Williams	D14/105
D. 269,623	7/1983	Kato et al.	D14/105 X
D. 303,537	9/1989	Kato et al.	D18/4
D. 304,444	11/1989	Ikeya	D14/105
D. 308,857	6/1990	Bianco	D14/100
D. 310,212	8/1990	Forsythe	D14/106
D. 319,251	8/1991	Ishida et al.	D18/4
D. 320,036	9/1991	Chen	D18/4



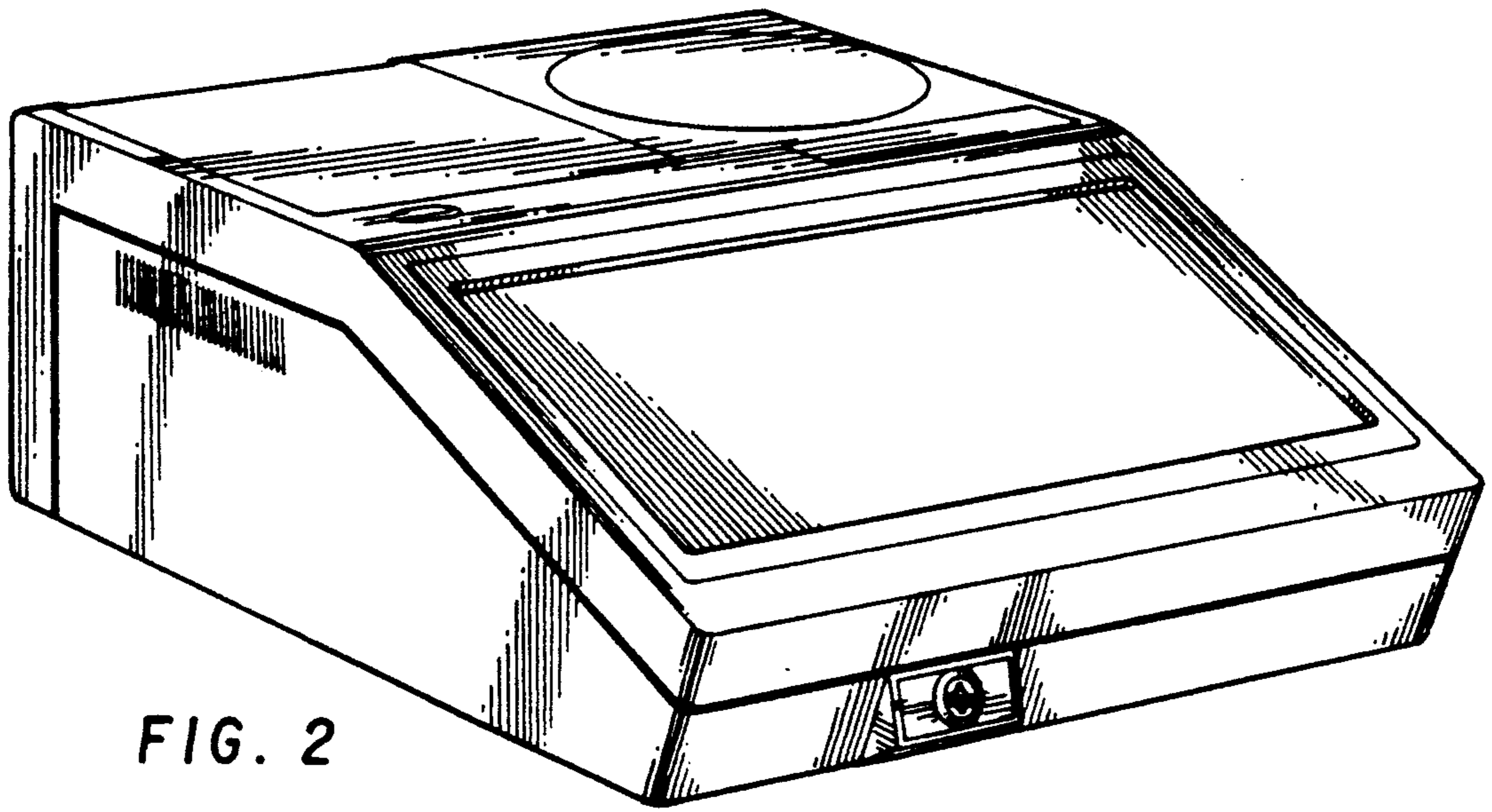


FIG. 2

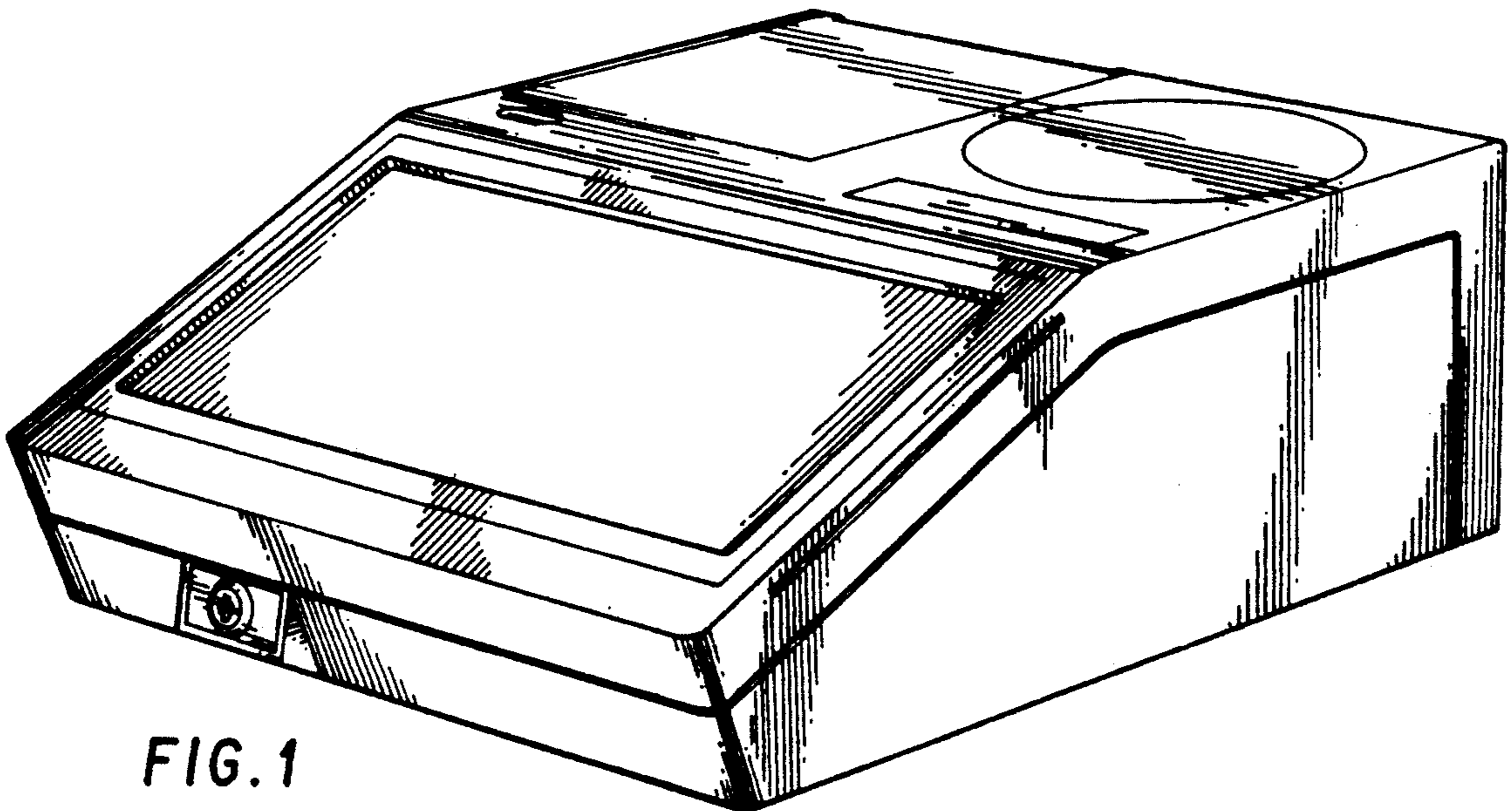


FIG. 1

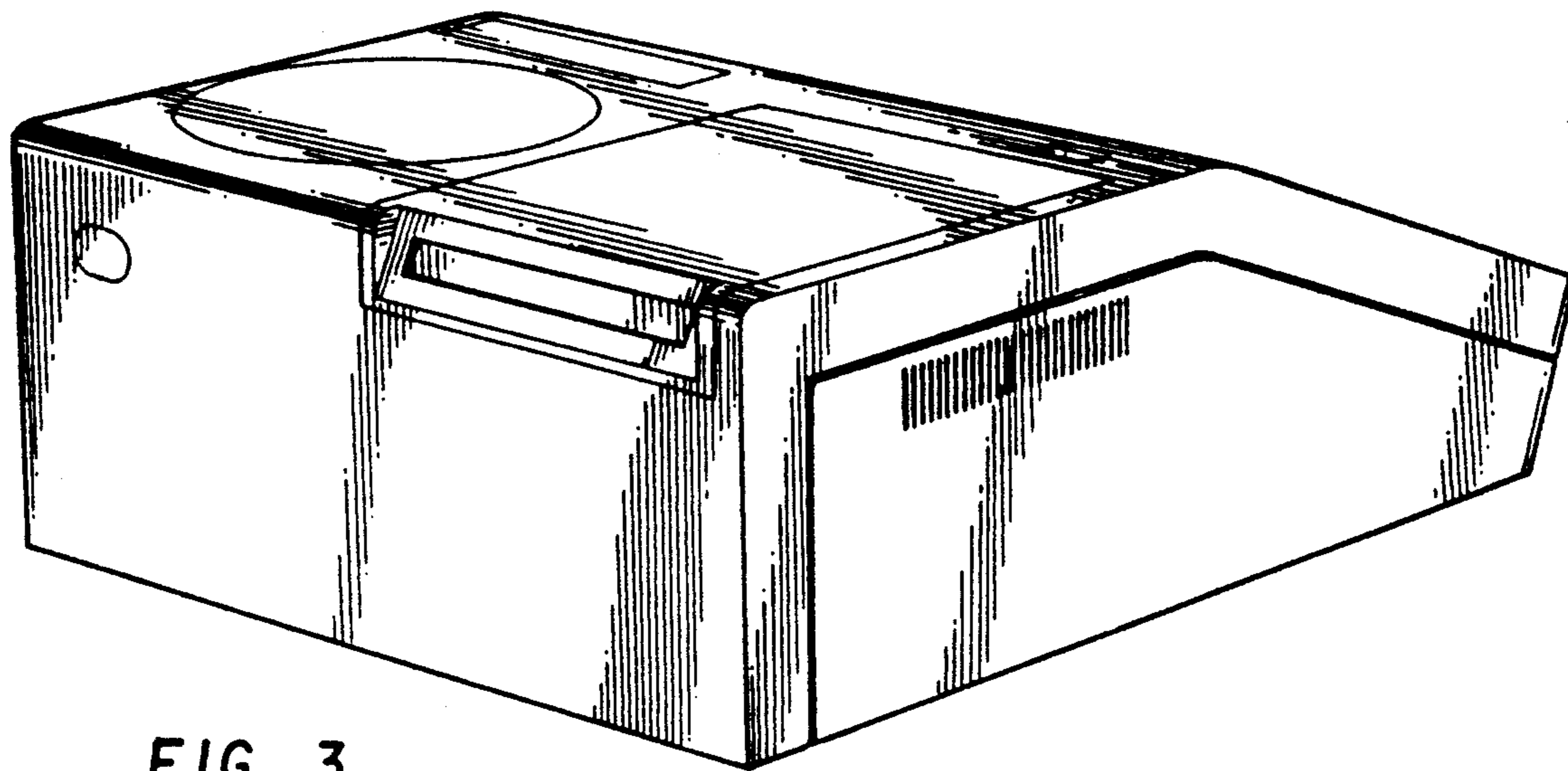


FIG. 3

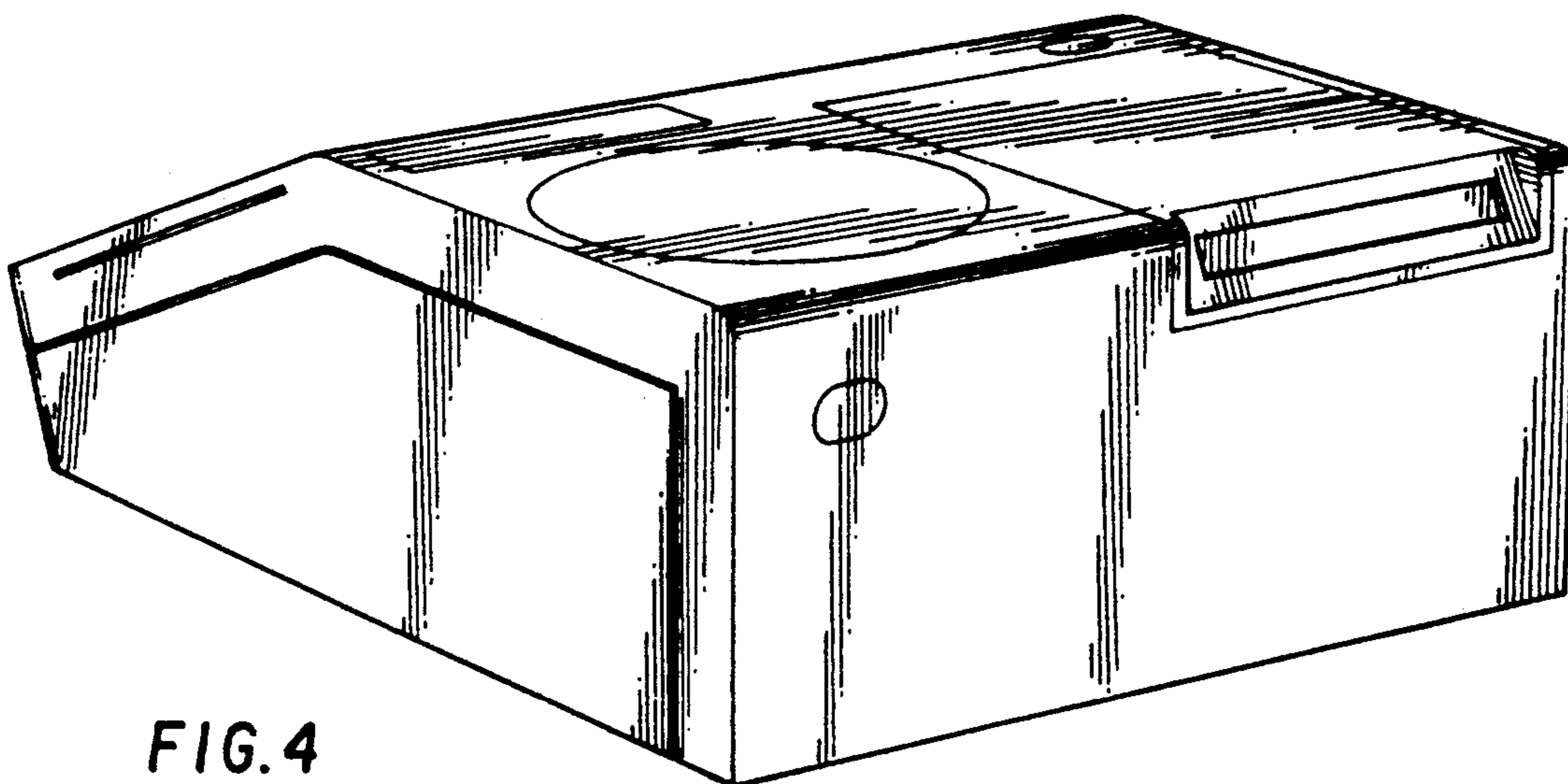


FIG. 4

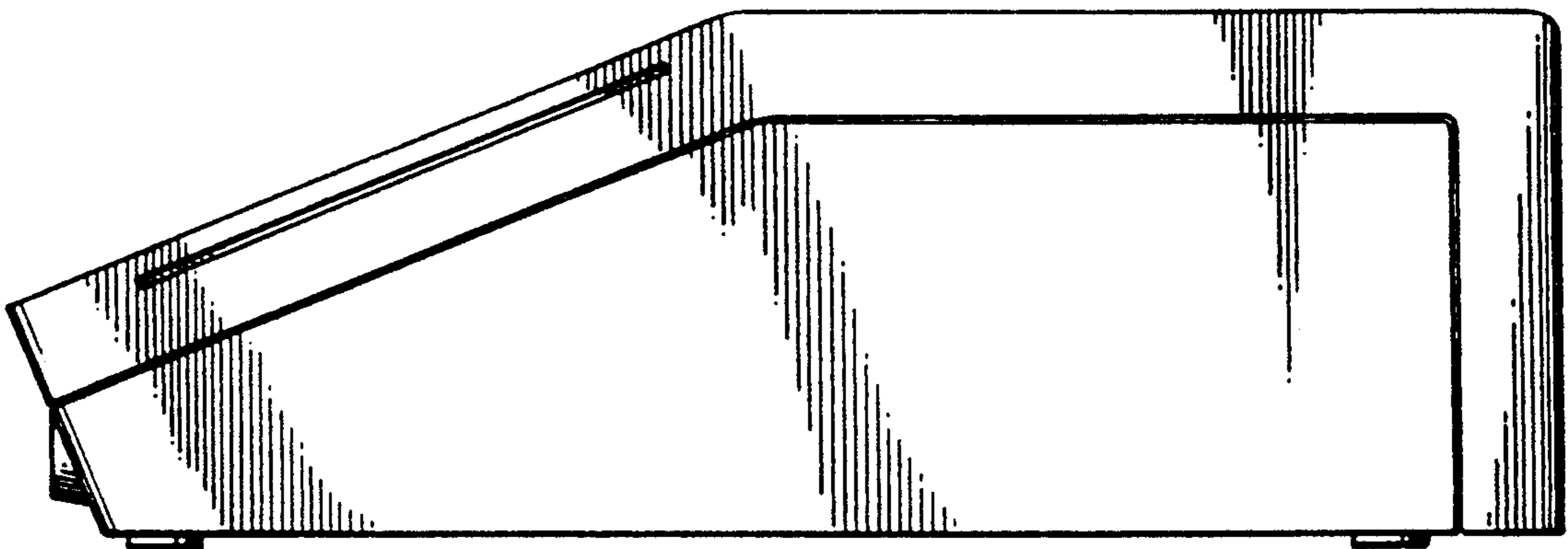


FIG. 5

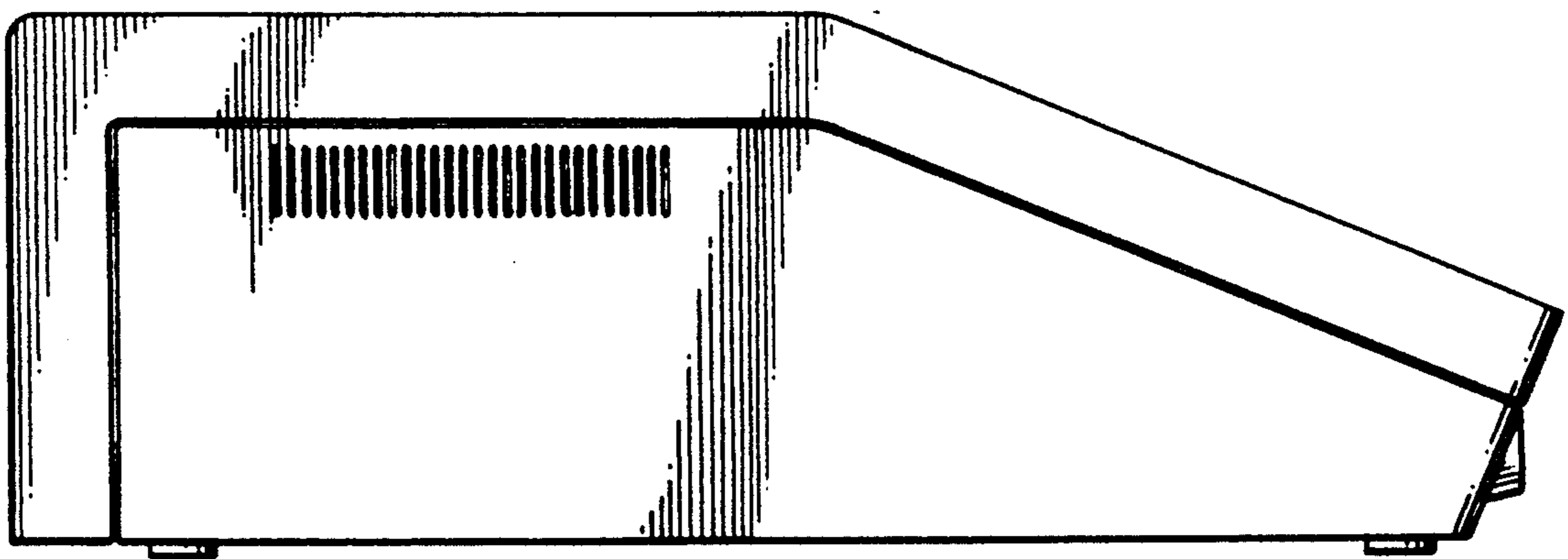


FIG. 6

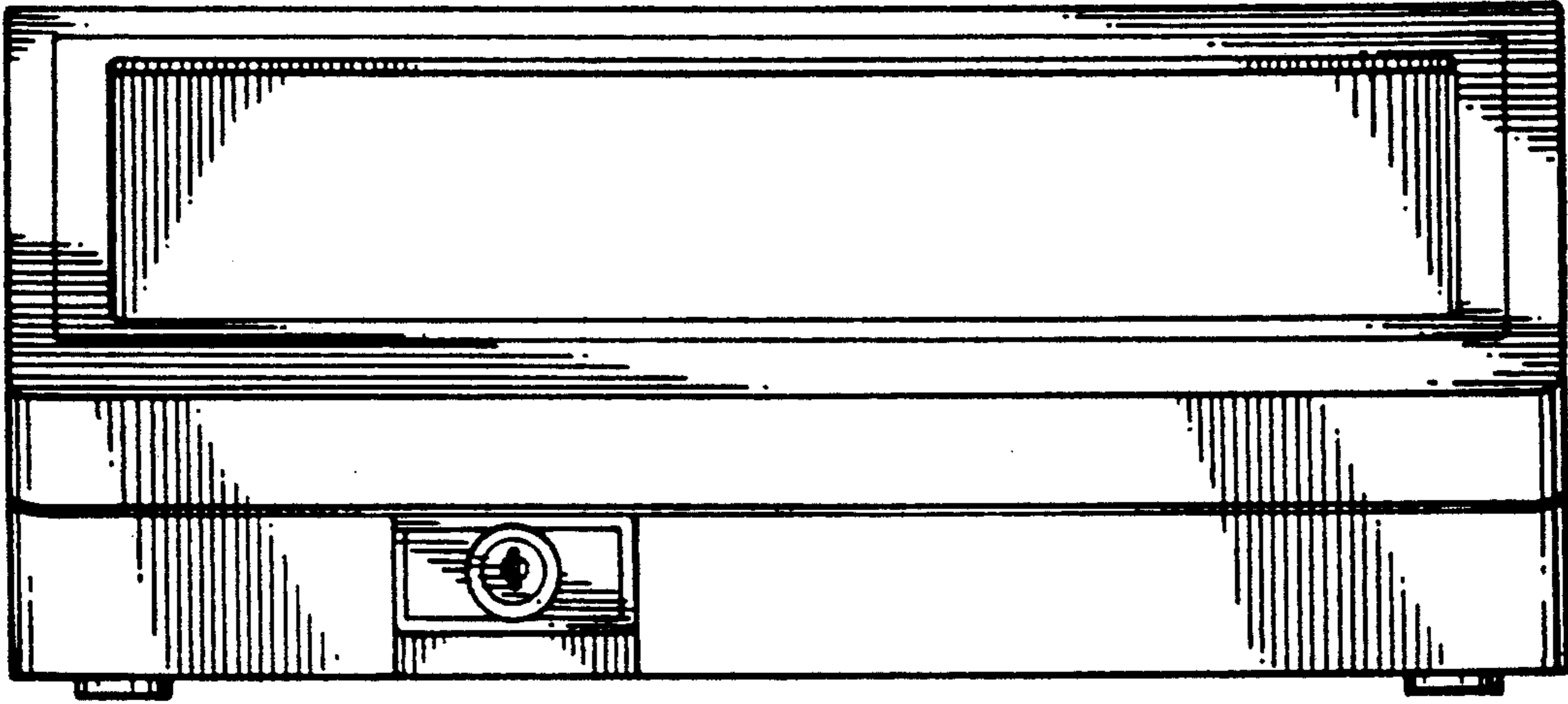


FIG. 7

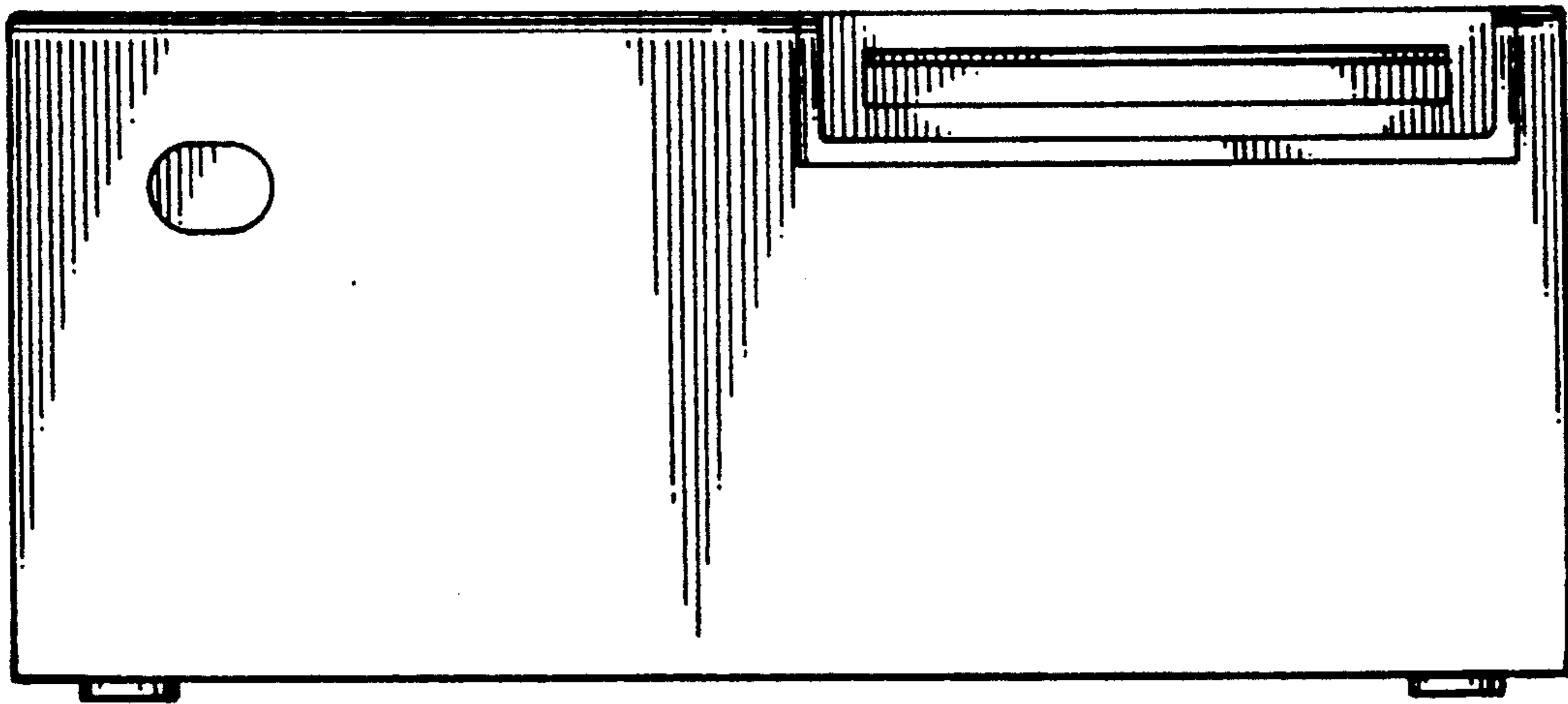


FIG. 8