



US00D335272S

United States Patent [19]

[11] Patent Number: **Des. 335,272**

Allendorph et al.

[45] Date of Patent: **** May 4, 1993**

[54] EXTERIOR SHELL OF A VEHICLE HOOD

[56] References Cited

[75] Inventors: **L. David Allendorph; Franz Mueller; Larry N. Reynard**, all of Fort Wayne, Ind.

U.S. PATENT DOCUMENTS

D. 306,714 3/1990 Allendorph D12/173
D. 307,126 4/1990 Allendorph et al. D12/173

[73] Assignee: **Navistar International Transportation Corp.**, Chicago, Ill.

Primary Examiner—James M. Gandy
Attorney, Agent, or Firm—Dennis K. Sullivan

[**] Term: **14 Years**

[57] CLAIM

The ornamental design for an exterior shell of a vehicle hood, as shown and described.

[21] Appl. No.: **766,701**

DESCRIPTION

[22] Filed: **Sep. 25, 1991**

[52] U.S. Cl. **D12/173**

[58] Field of Search D12/173, 164; 180/69.2, 180/89.1, 89.16, 89.19; 296/183, 190

FIG. 1 is a left, front perspective view of an exterior shell of a vehicle hood showing my new design, it being understood that the broken lines are for illustrative purposes only and form no part of the claimed design; FIG. 2 is a left side elevation view thereof, the right side being a mirror image of that shown; FIG. 3 is a front elevation view thereof; and, FIG. 4 is a top plan view thereof.

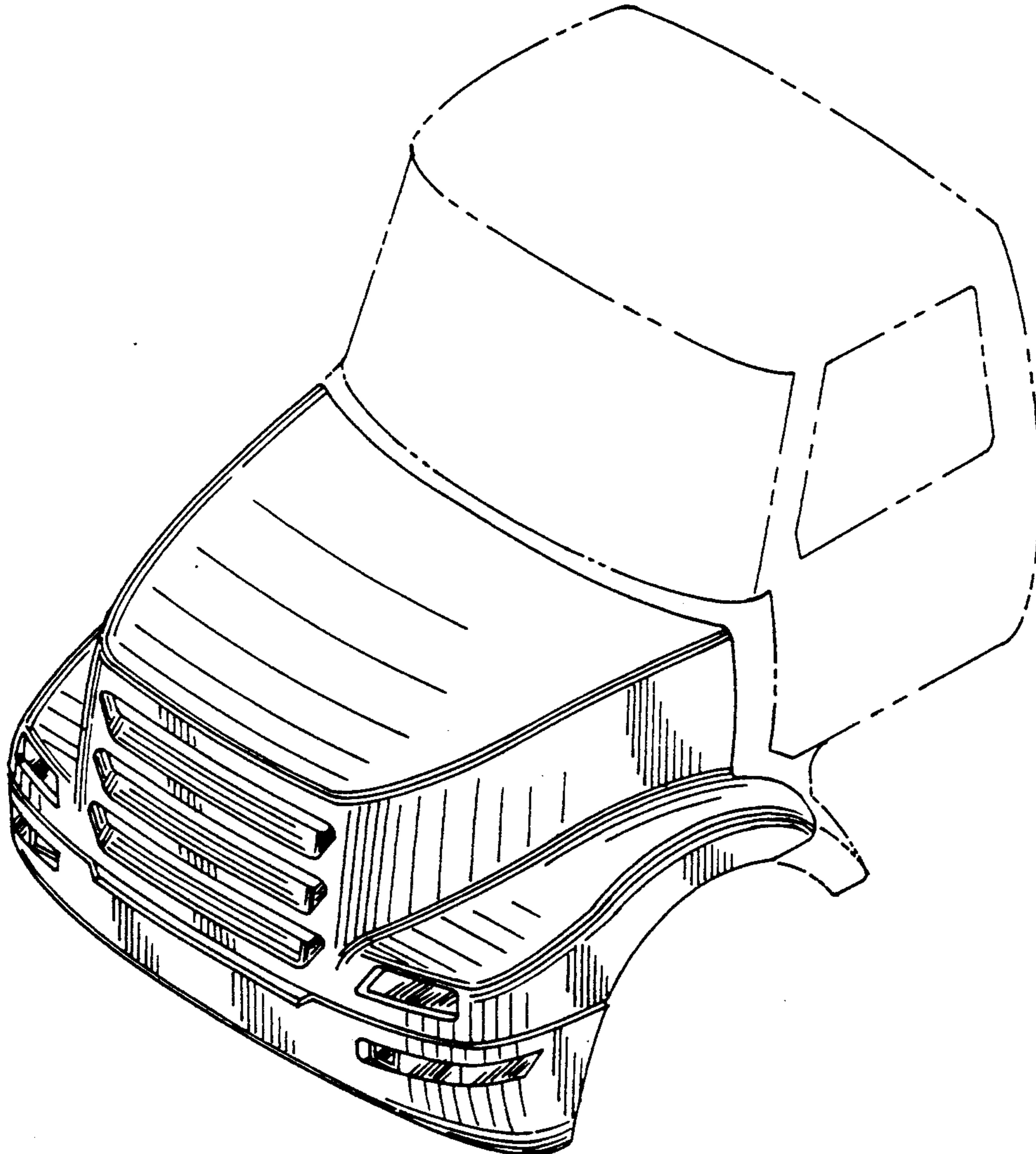
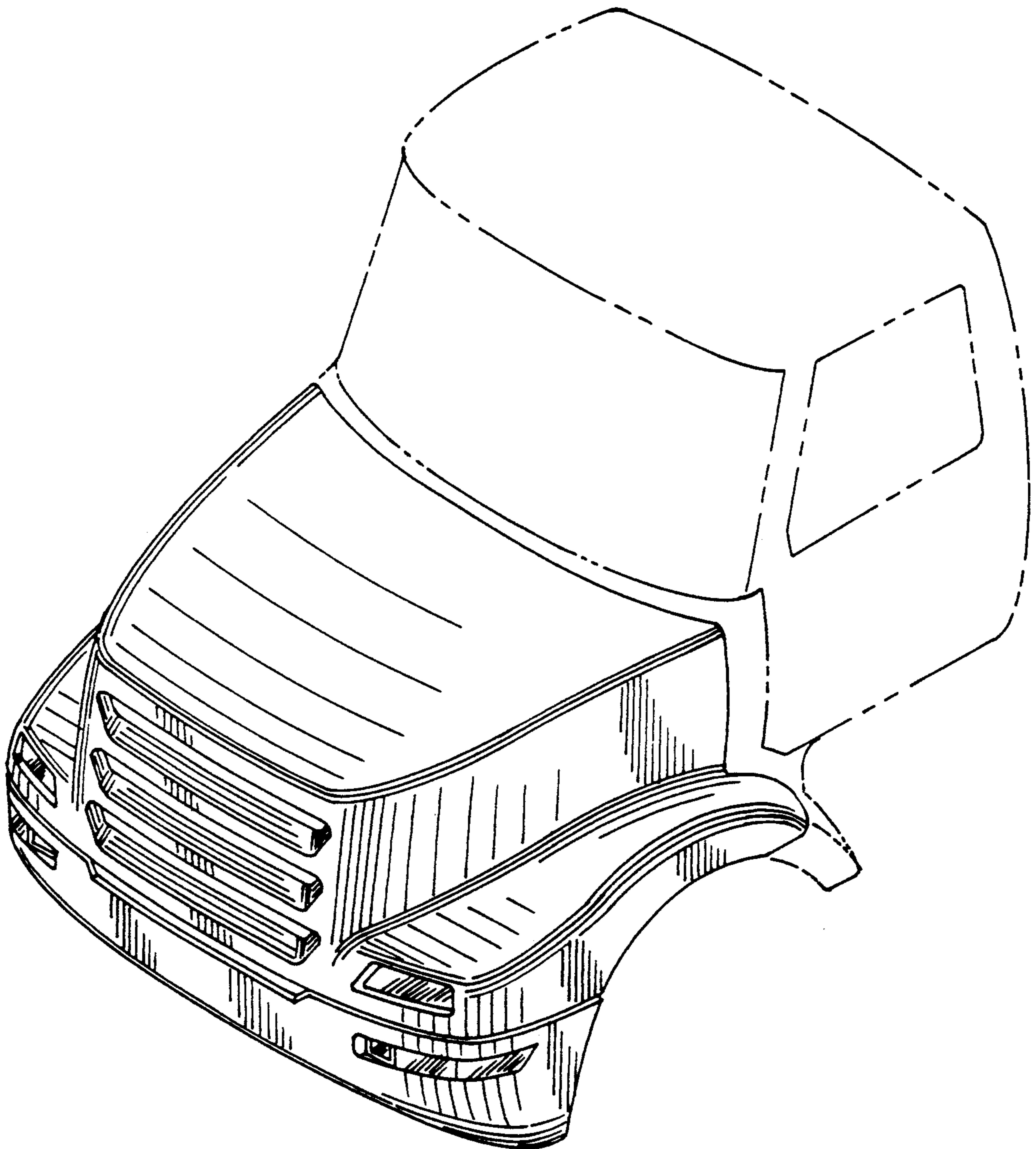


FIG. 1



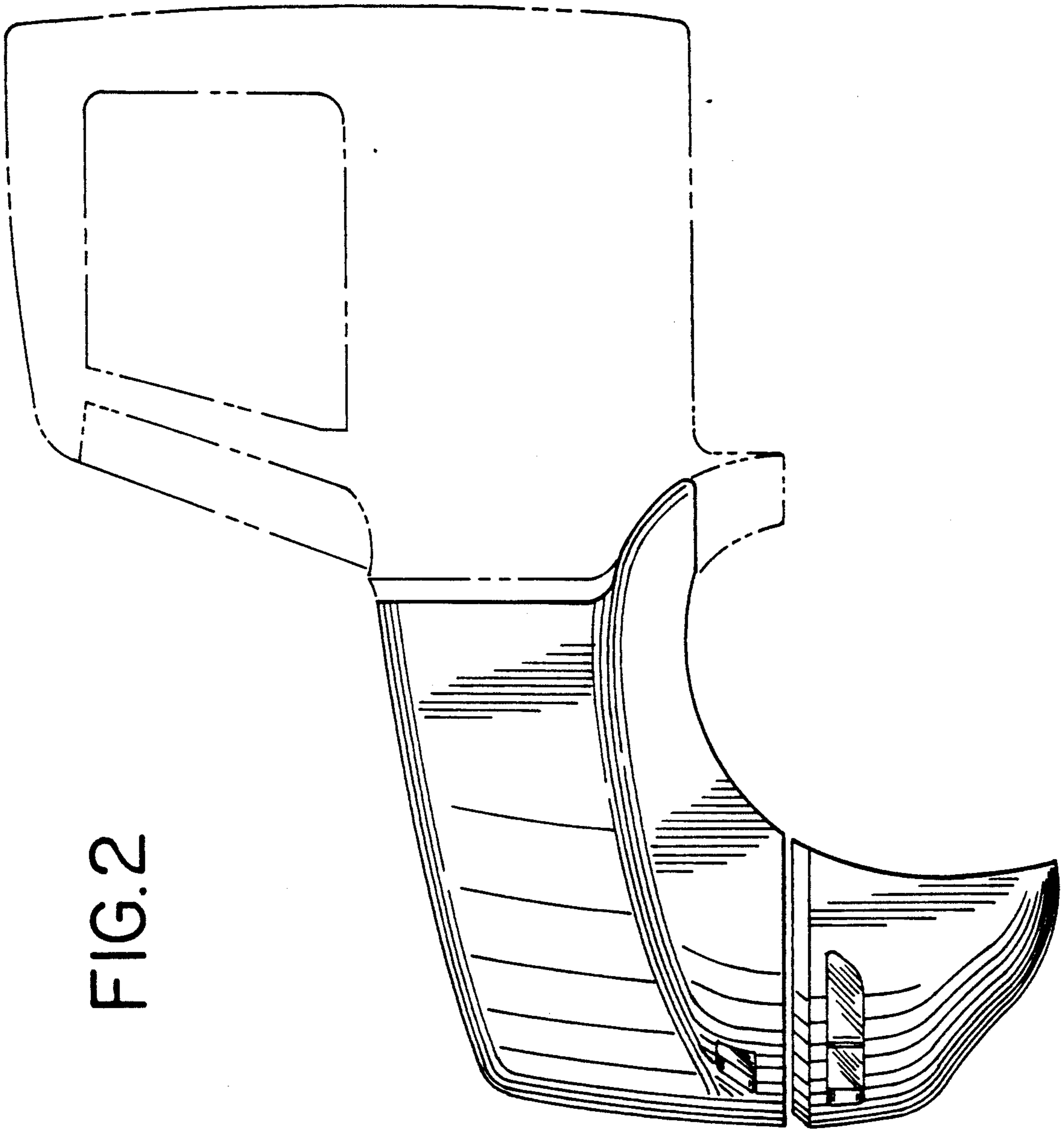


FIG.2

FIG. 3

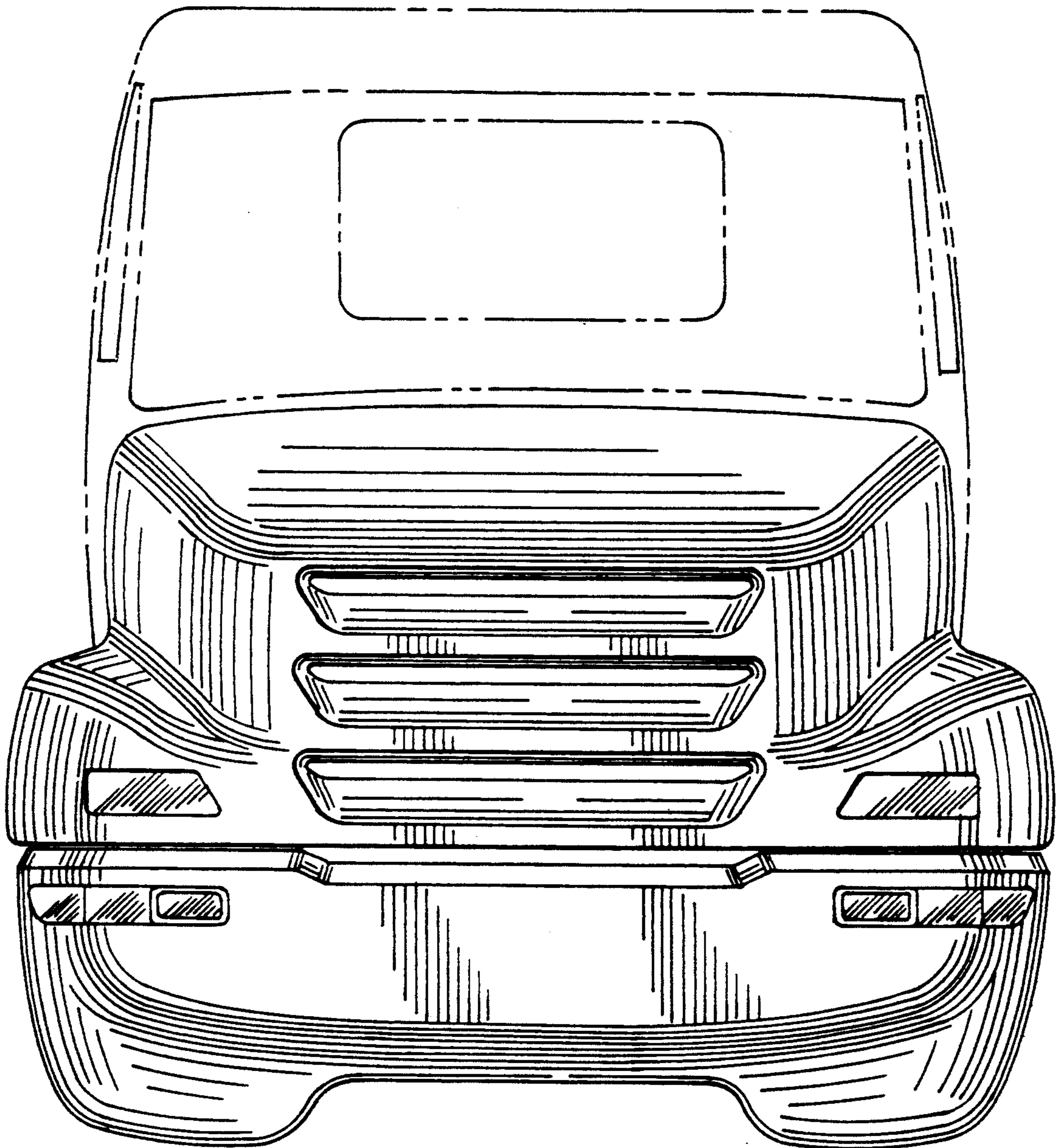


FIG. 4

