



US00D335260S

United States Patent [19] Choi

[11] Patent Number: Des. 335,260
[45] Date of Patent: ** May 4, 1993

[54] ELECTRONIC THERMOMETER
[76] Inventor: In Y. Choi, 20 Traverse Dr.,
Norristown, Pa. 19401
[**] Term: 14 Years
[21] Appl. No.: 486,181
[22] Filed: Feb. 28, 1990
[52] U.S. Cl. D10/57
[58] Field of Search D10/52, 57, 58, 59,
D10/60; D14/225, 227, 229; 374/126, 208, 210

4,172,384 10/1979 Tamura .
4,176,556 12/1979 Takenaka .

Primary Examiner—Alan P. Douglas
Assistant Examiner—Antoine D. Davis
Attorney, Agent, or Firm—Terry M. Gernstein

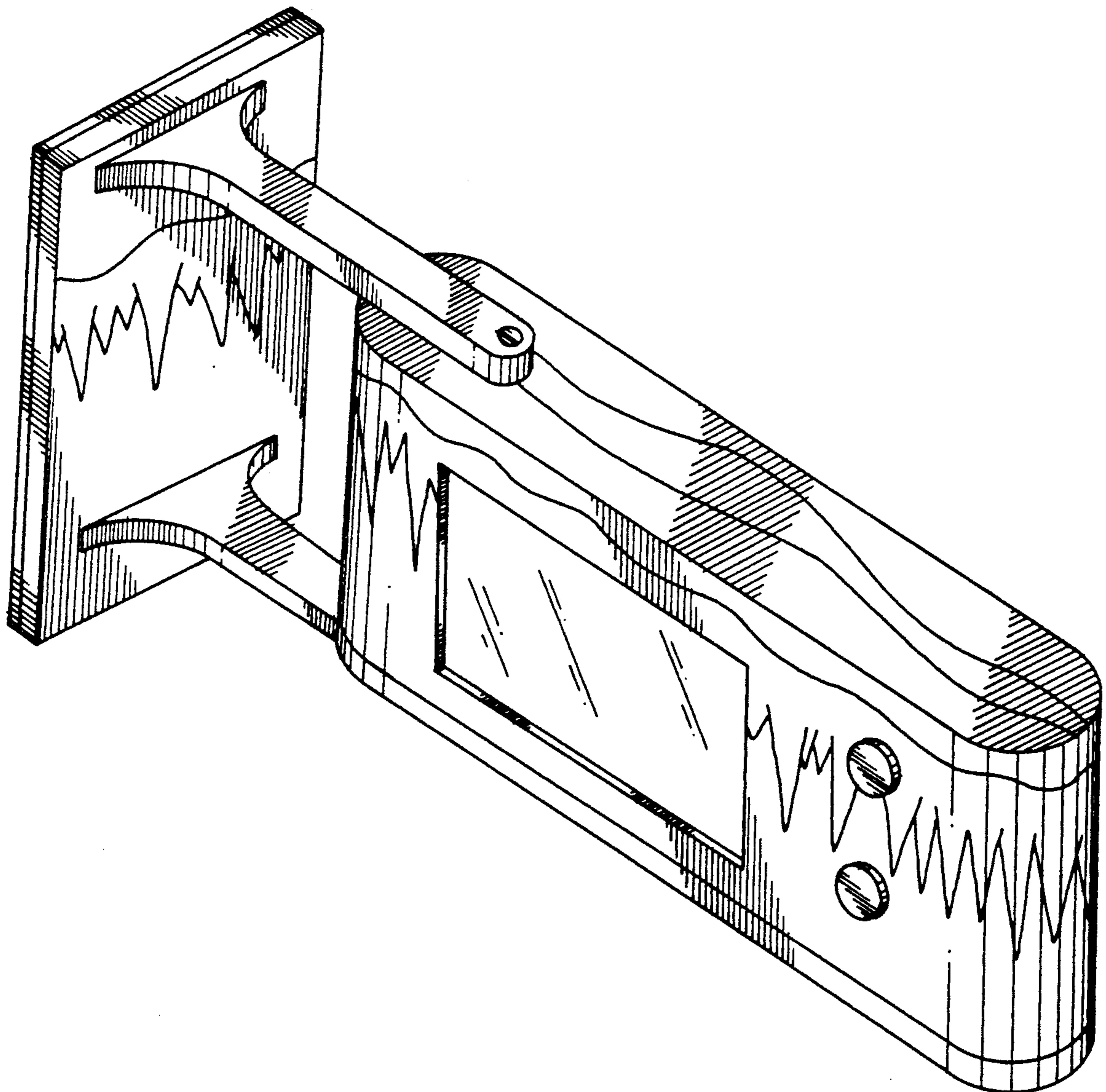
[57] CLAIM

The ornamental design for an electronic thermometer, as shown and described.

DESCRIPTION

FIG. 1 is a top, front and left side perspective view of an electronic thermometer showing my new design; FIG. 2 is a front elevational view; FIG. 3 is a top plan view; FIG. 4 is a rear elevational view; FIG. 5 is a bottom plan view; FIG. 6 is a right side elevational view; and, FIG. 7 is a left side elevational view thereof.

[56] References Cited
U.S. PATENT DOCUMENTS
D. 171,055 12/1953 Schell, Jr. D14/225
D. 241,948 10/1976 Garner D14/229
D. 309,266 7/1990 Kaneko D10/6
4,164,147 8/1979 Kulwicki .



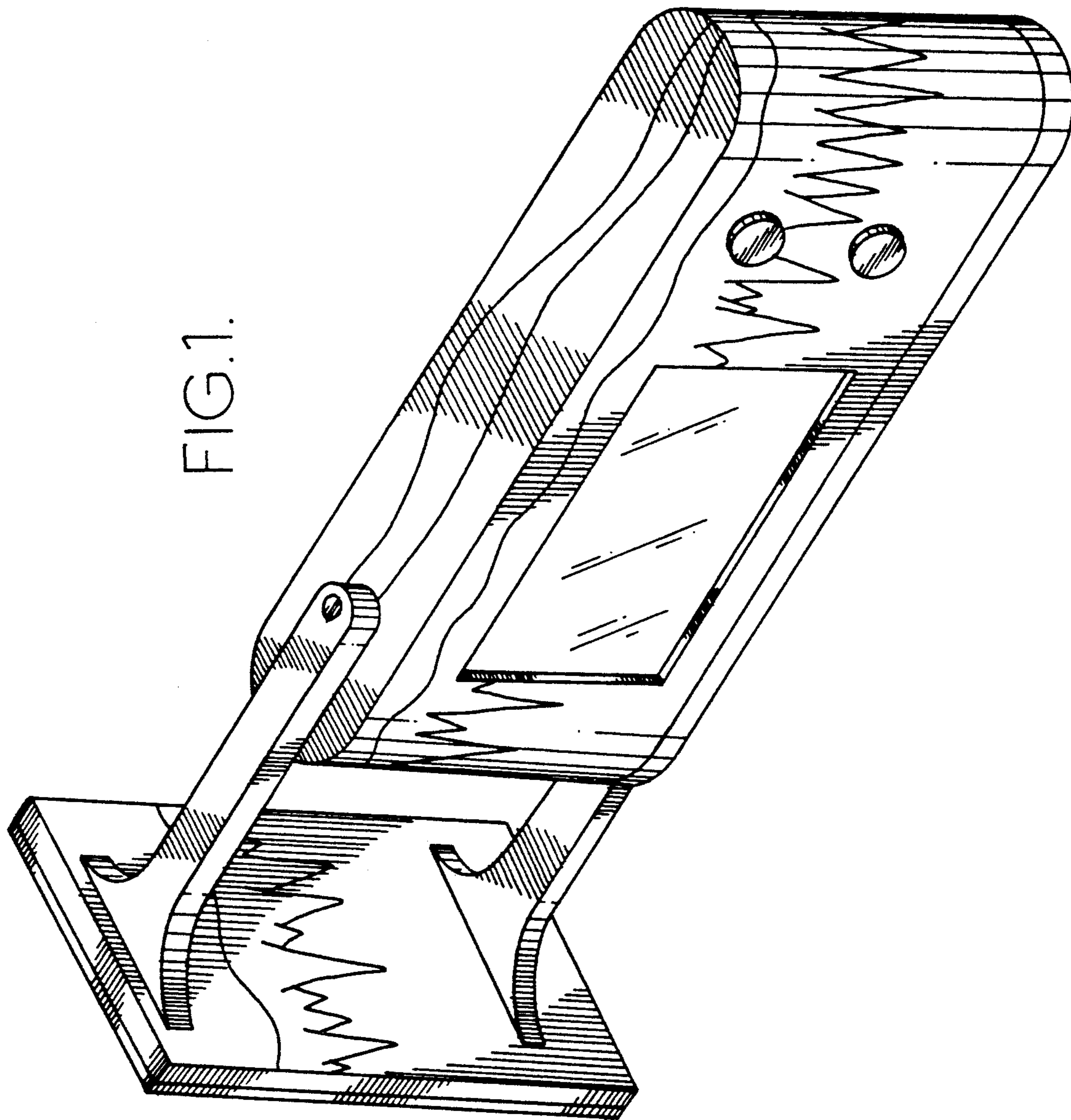


FIG. 2.

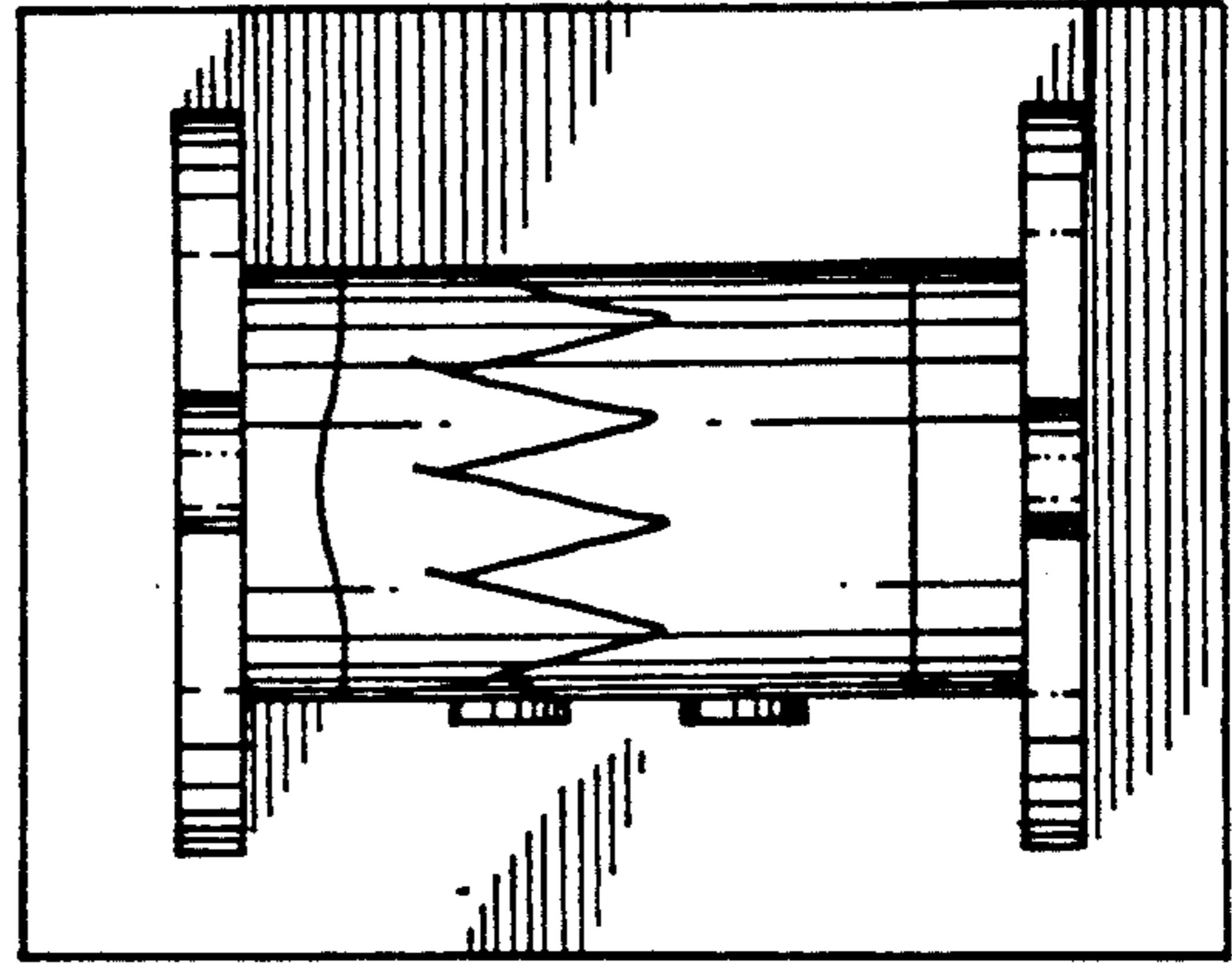
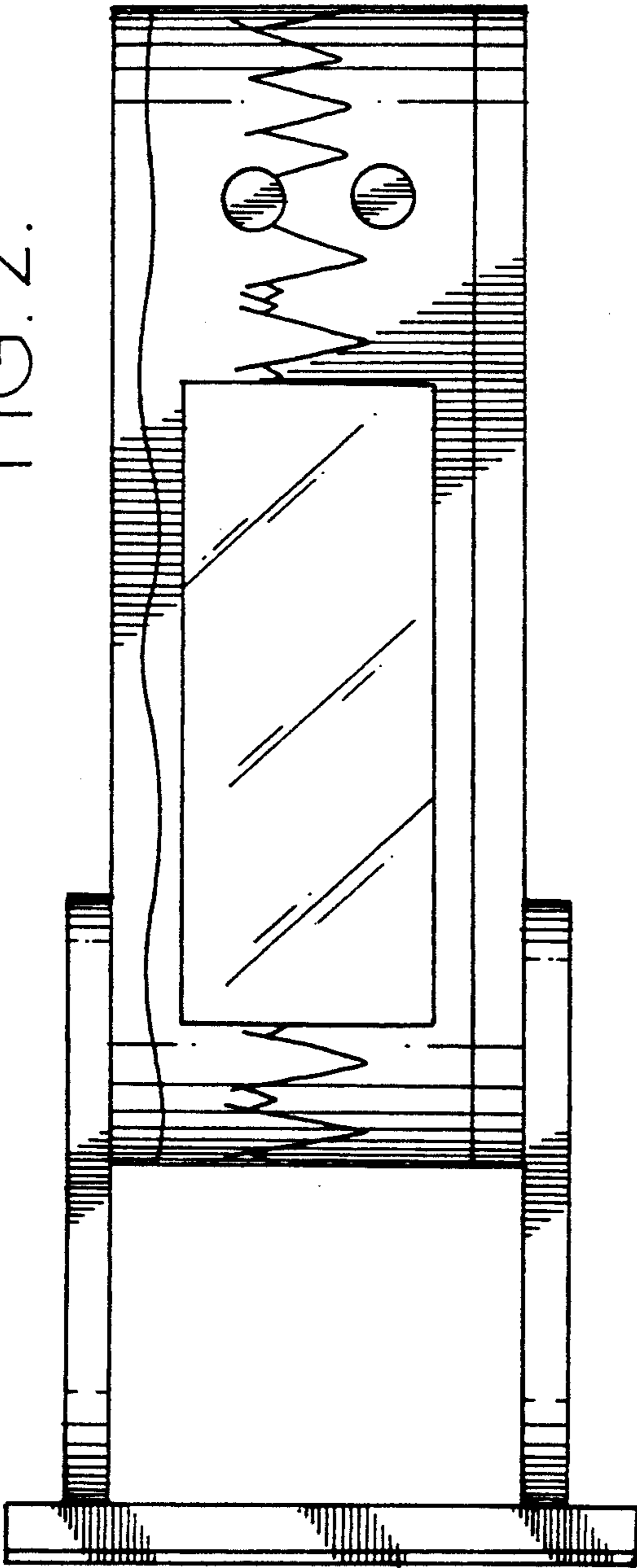


FIG. 3.

FIG. 4.

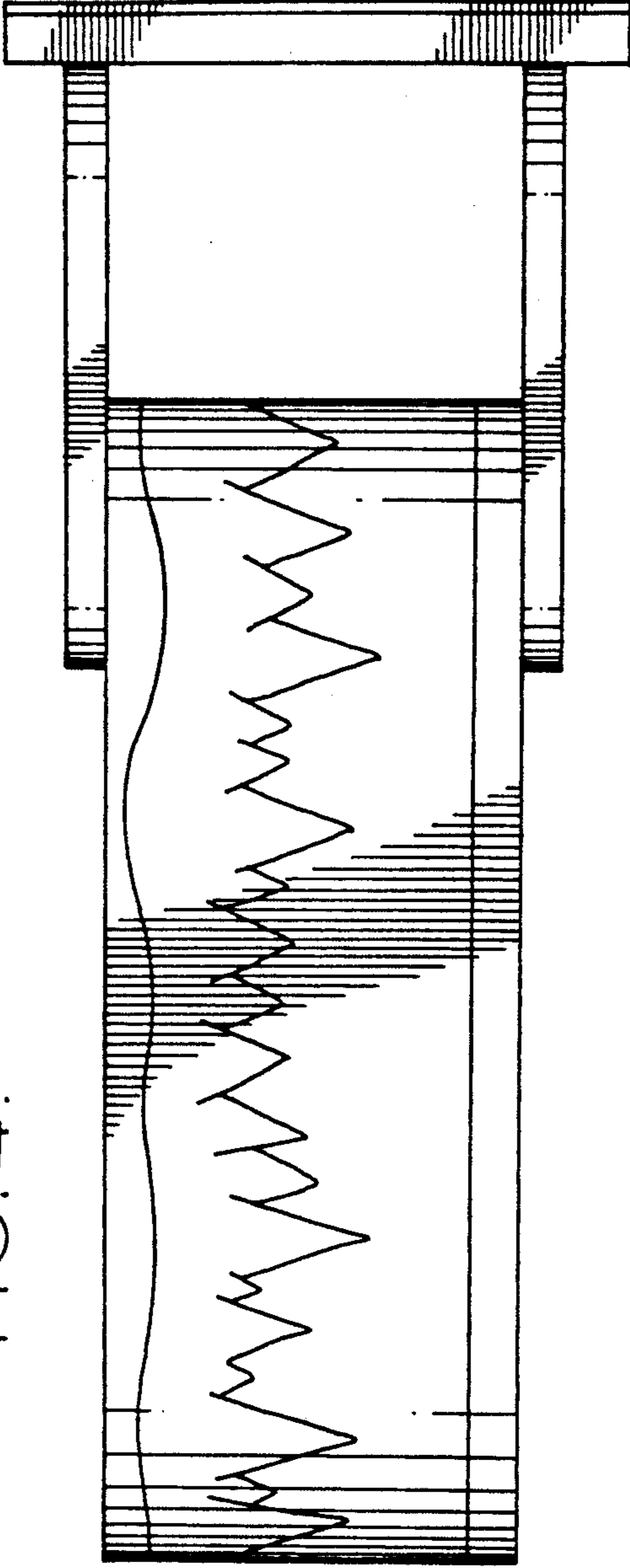


FIG. 5.

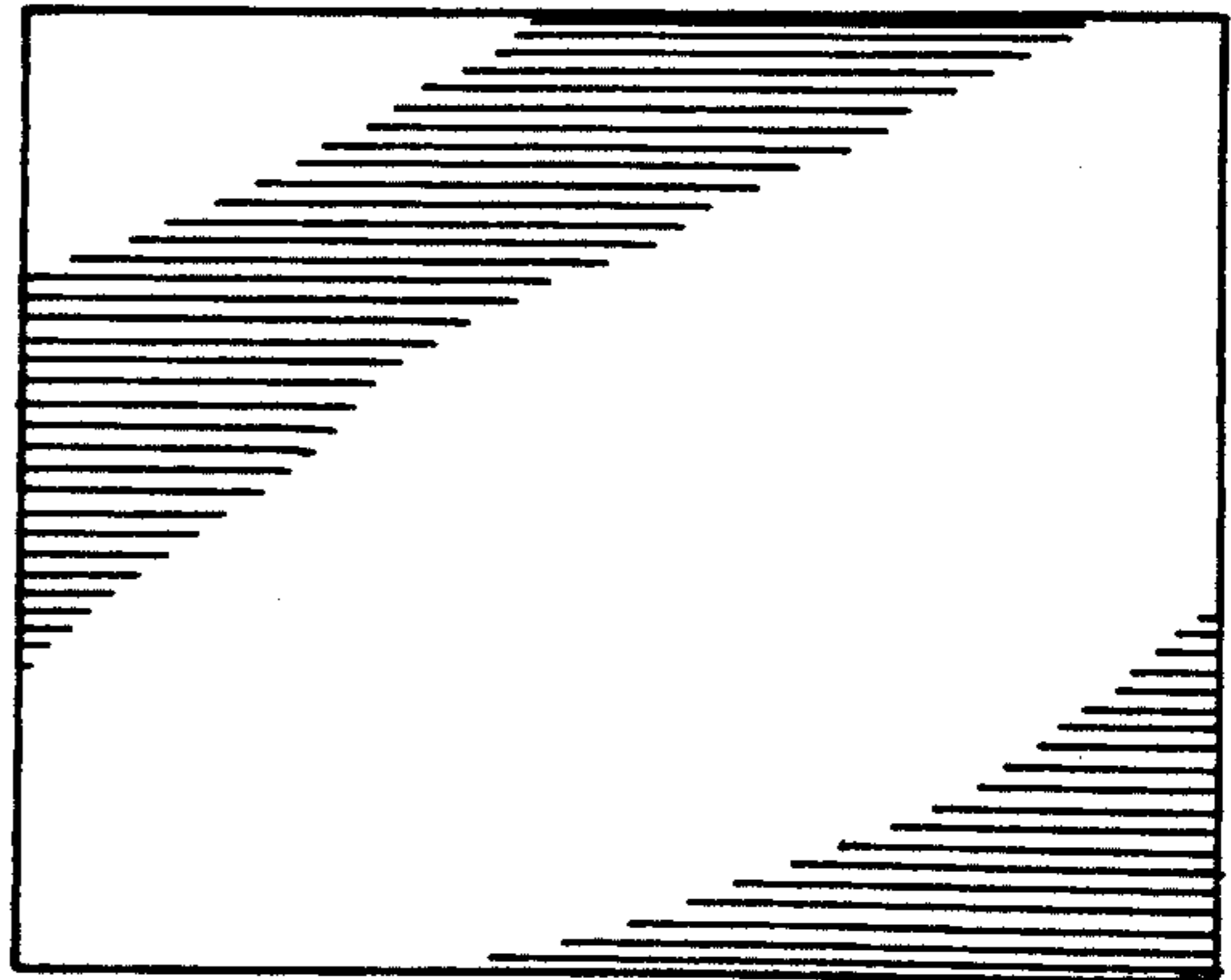


FIG. 6.

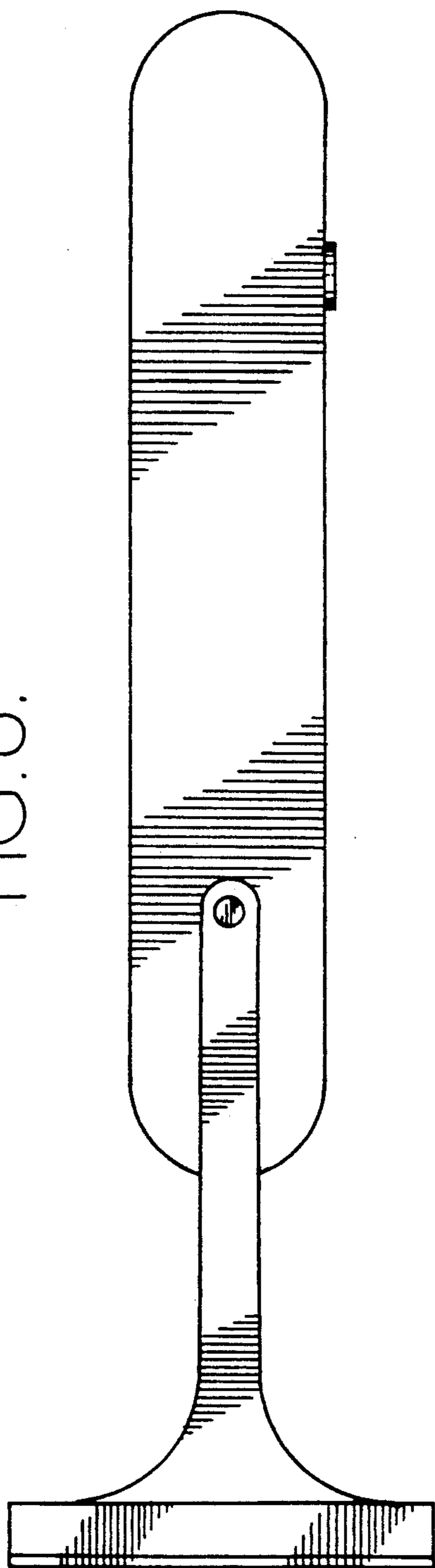


FIG. 7.

