



US00D335253S

United States Patent [19]
Eizen

[11] **Patent Number: Des. 335,253**
[45] **Date of Patent: ** May 4, 1993**

[54] **KEY BLADE BLANK**

[75] **Inventor: Noach Eizen, Rishon Lezion, Israel**

[73] **Assignee: Mul-T-Lock Ltd., Yavne, Israel**

[**] **Term: 14 Years**

[21] **Appl. No.: 624,779**

[22] **Filed: Dec. 10, 1990**

[30] **Foreign Application Priority Data**

Jun. 19, 1990 [IL] Israel 16629

[52] **U.S. Cl. D8/347**

[58] **Field of Search D8/347-348;
70/393, 402, 405-407, 437**

[56] **References Cited**

U.S. PATENT DOCUMENTS

D. 278,880	5/1985	Widén	D8/347
D. 283,978	5/1986	Mills	D8/347
2,803,959	8/1957	Schlage	70/437 X
4,787,225	11/1988	Hauser	70/407 X

OTHER PUBLICATIONS

Ilco Unican Key Blanks Catalogue #60R (1984) p. 116
Ford Sec Key Blank.

Primary Examiner—Brian N. Vinson
Attorney, Agent, or Firm—Ladas & Parry

[57] **CLAIM**

The ornamental design for a key blade blank, as shown and described.

DESCRIPTION

FIG. 1 is a front elevational view of a key blade blank showing my new design, the rear being a mirror image of that shown;

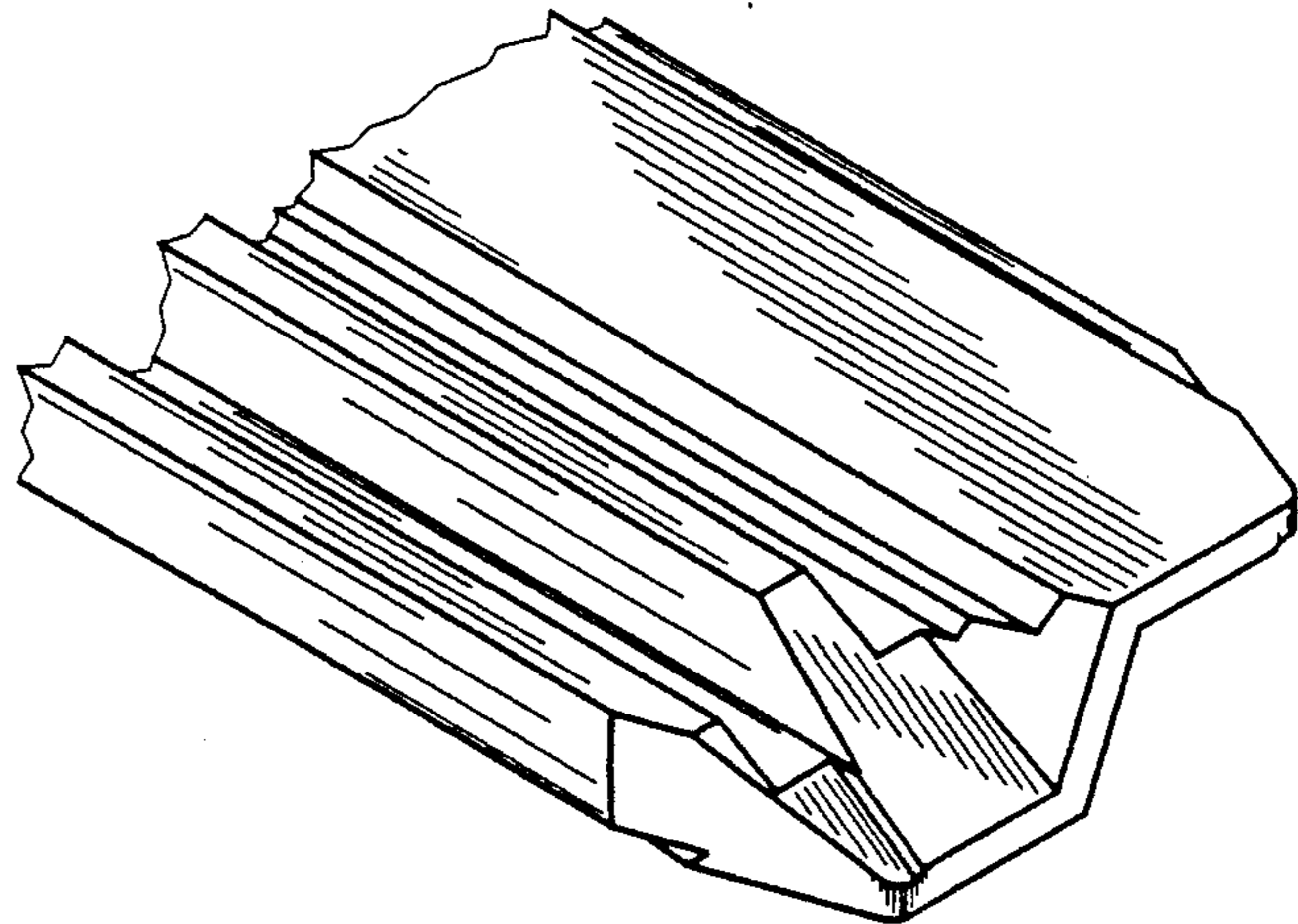
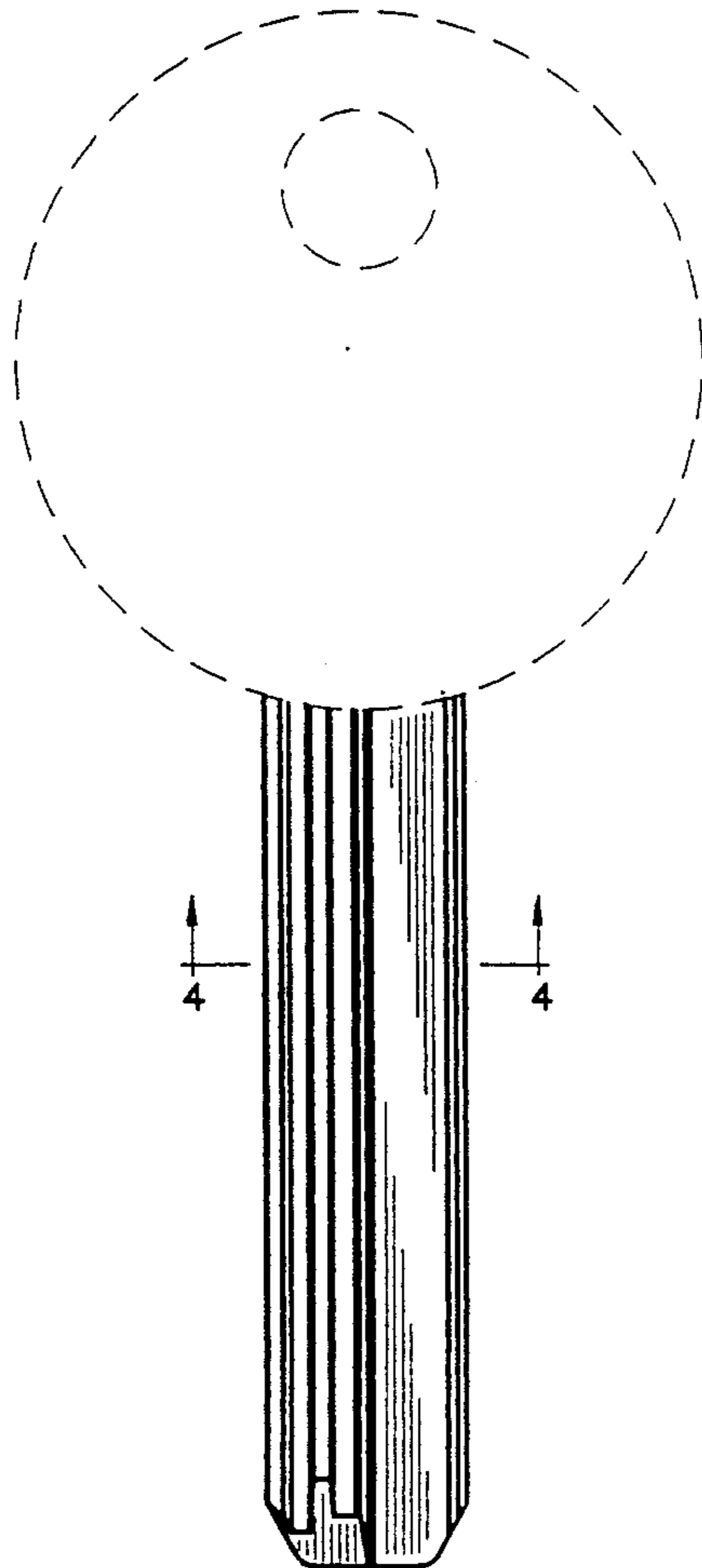
FIG. 2 is a right side elevational view thereof, the left side being a mirror image of that shown;

FIG. 3 is a bottom plan view thereof;

FIG. 4 is an enlarged horizontal cross-sectional view thereof, taken along line 4—4 of FIG. 1; and,

FIG. 5 is an enlarged fragmentary front, bottom, and left side perspective view thereof.

The broken-line disclosure of the key bow in the views is for illustrative purposes only and forms no part of the claimed design.



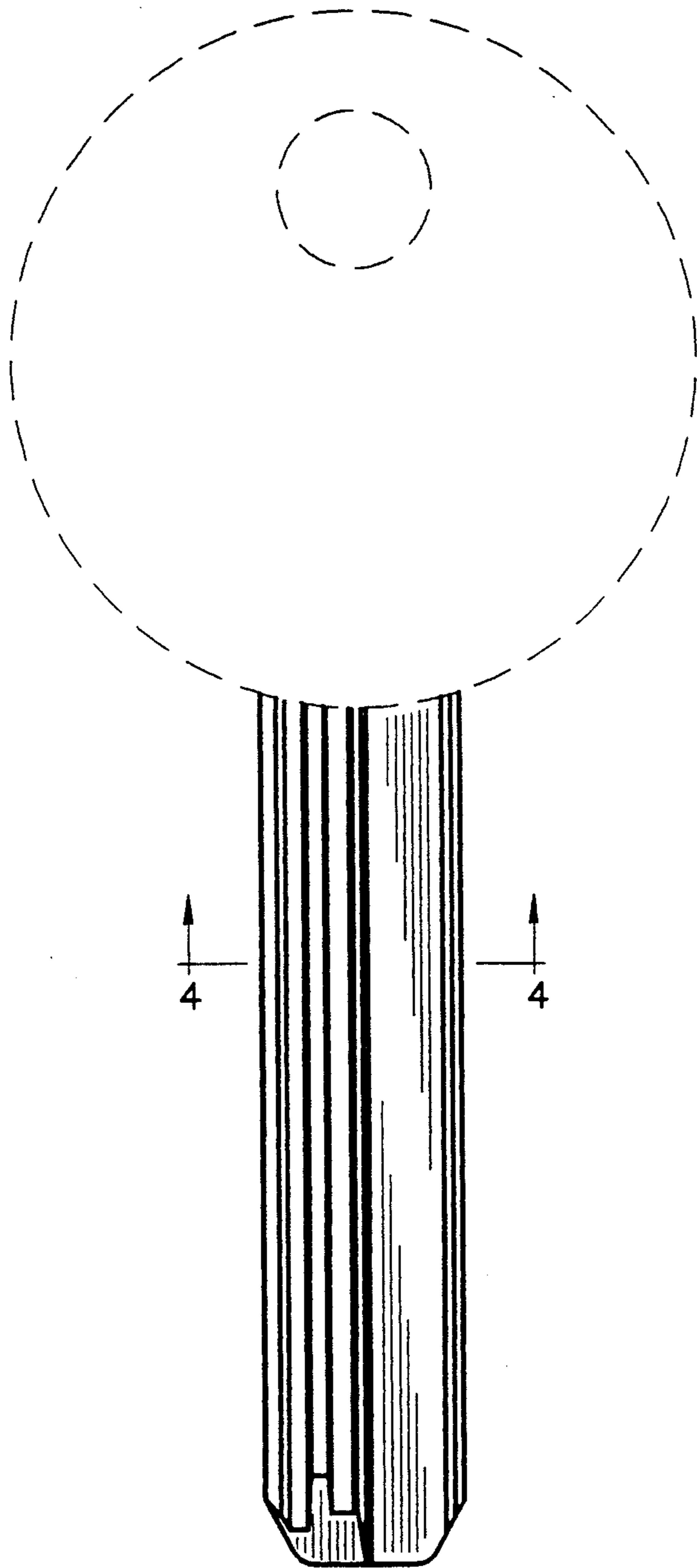


FIG. 1



FIG. 2



FIG. 3

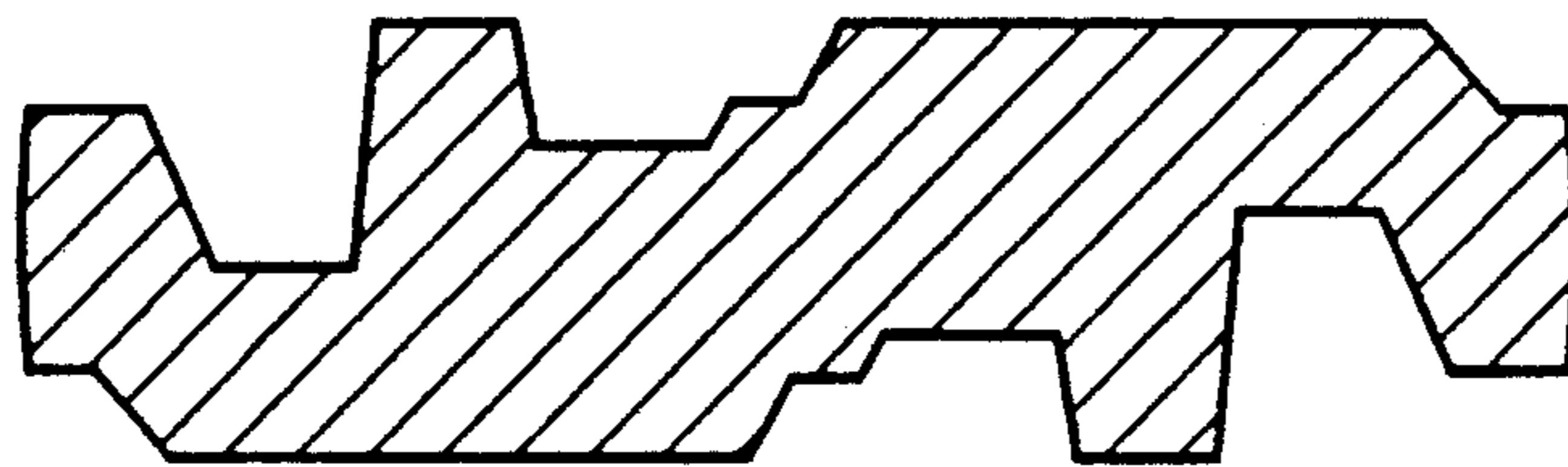


FIG. 4

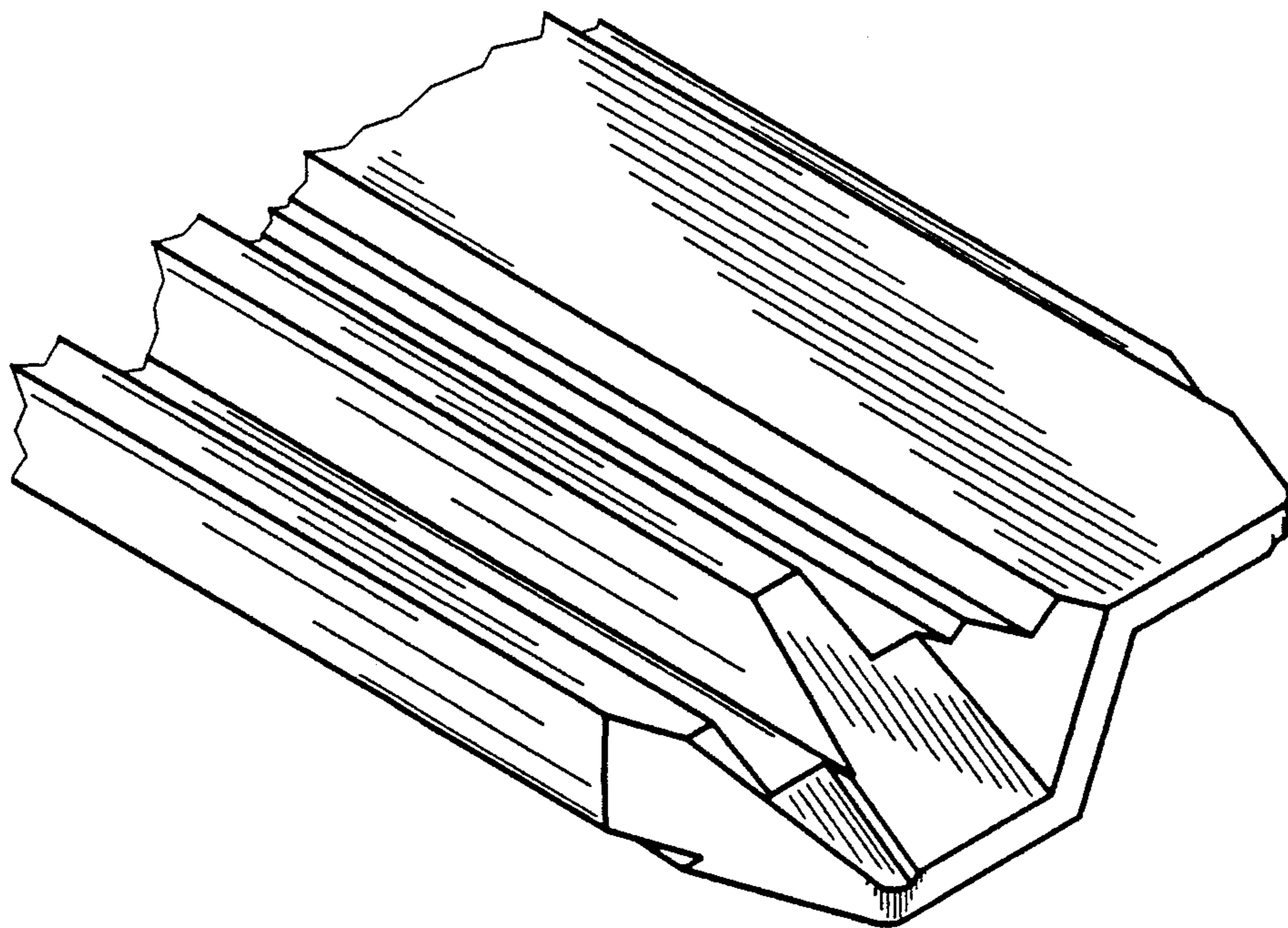


FIG. 5