



US00D335250S

United States Patent [19]

[11] Patent Number: **Des. 335,250**

Rosier

[45] Date of Patent: **** May 4, 1993**

[54] **FASTENER INSTALLATION TOOL**

D. 315,282 3/1991 Schmidt et al. D8/68

[75] Inventor: **Hendrik E. Rosier, Kingston, N.Y.**

Primary Examiner—Alan P. Douglas

Assistant Examiner—J. H. Musgrove

[73] Assignee: **Huck Patents, Inc., Wilmington, Del.**

Attorney, Agent, or Firm—Harness, Dickey & Pierce

[**] Term: **14 Years**

[57] **CLAIM**

[21] Appl. No.: **721,020**

The ornamental design for a fastener installation tool, as shown.

[22] Filed: **Jun. 26, 1991**

DESCRIPTION

[52] U.S. Cl. **D8/68**

[58] Field of Search **D8/68; 81/54, 57, 57.11, 81/57.13, 57.14; 173/170**

FIG. 1 is a perspective view of a fastener installation tool showing my new design;

FIG. 2 is a right side view of FIG. 1;

FIG. 3 is a left side view of FIG. 1;

FIG. 4 is a top view of FIG. 1;

FIG. 5 is a front view of FIG. 1;

FIG. 6 is a rear view of FIG. 1; and,

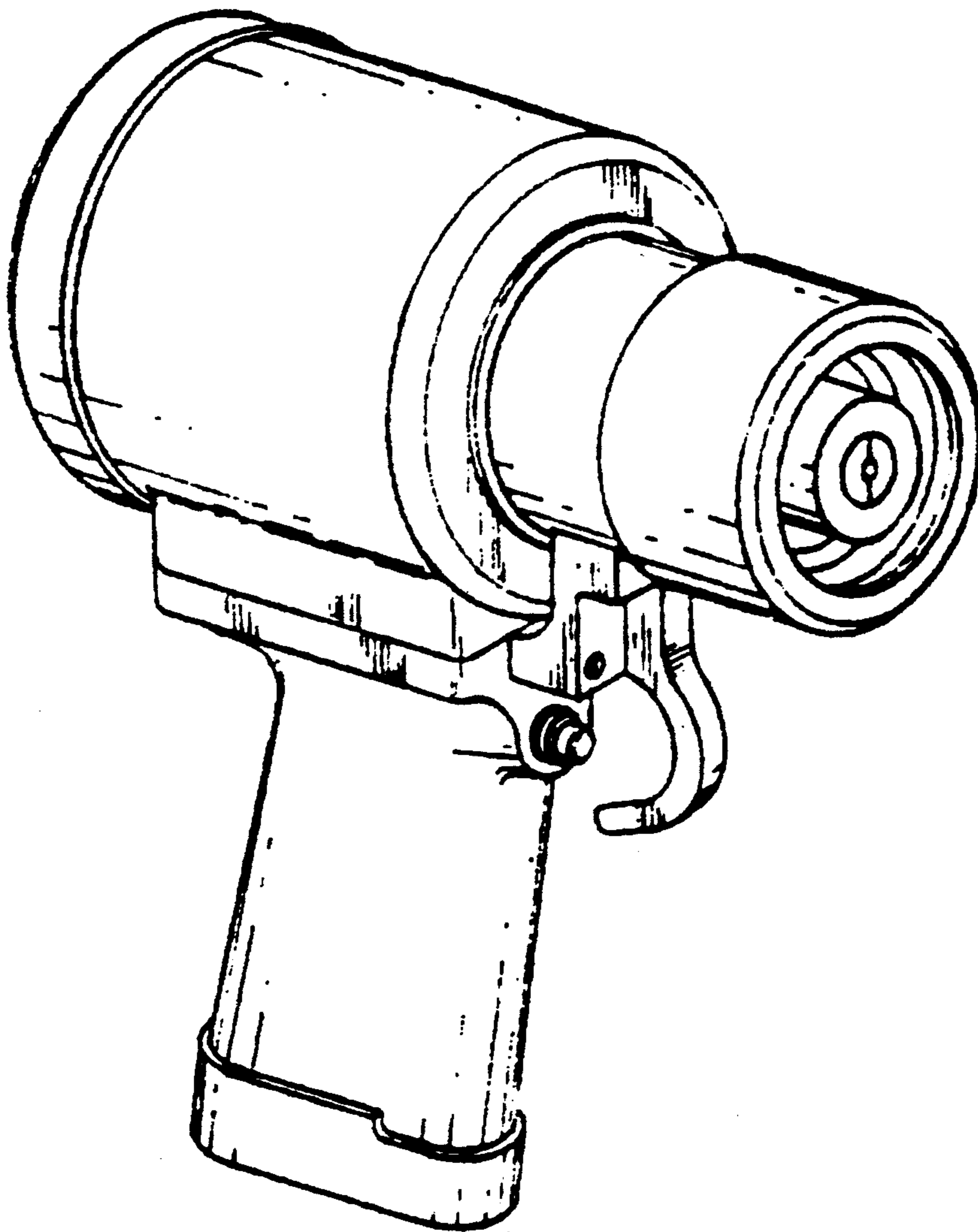
FIG. 7 is a bottom view of FIG. 1.

[56] **References Cited**

U.S. PATENT DOCUMENTS

D. 274,689 7/1984 Hamel et al. D8/68

D. 289,136 4/1987 Doman D8/68



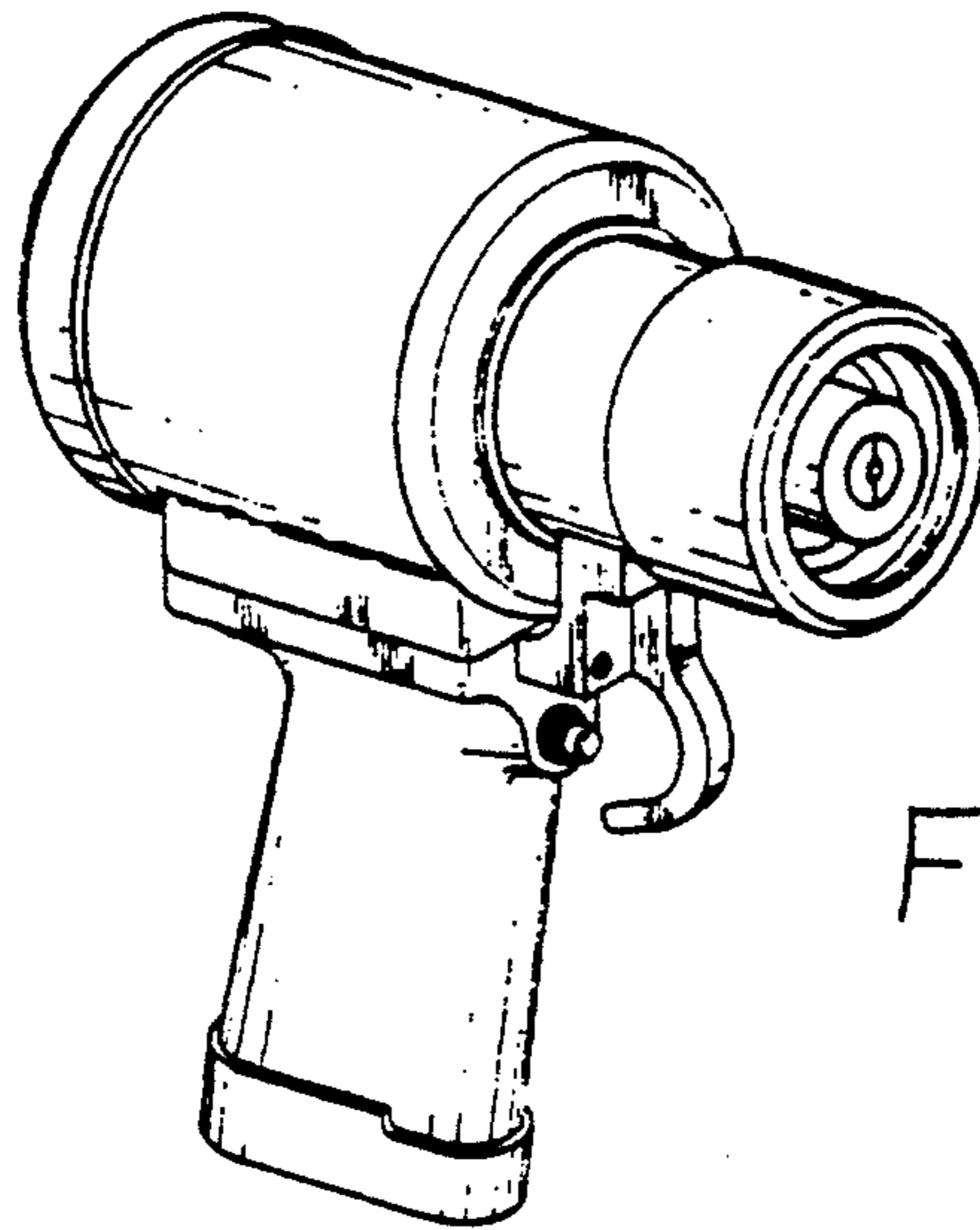


FIG 1

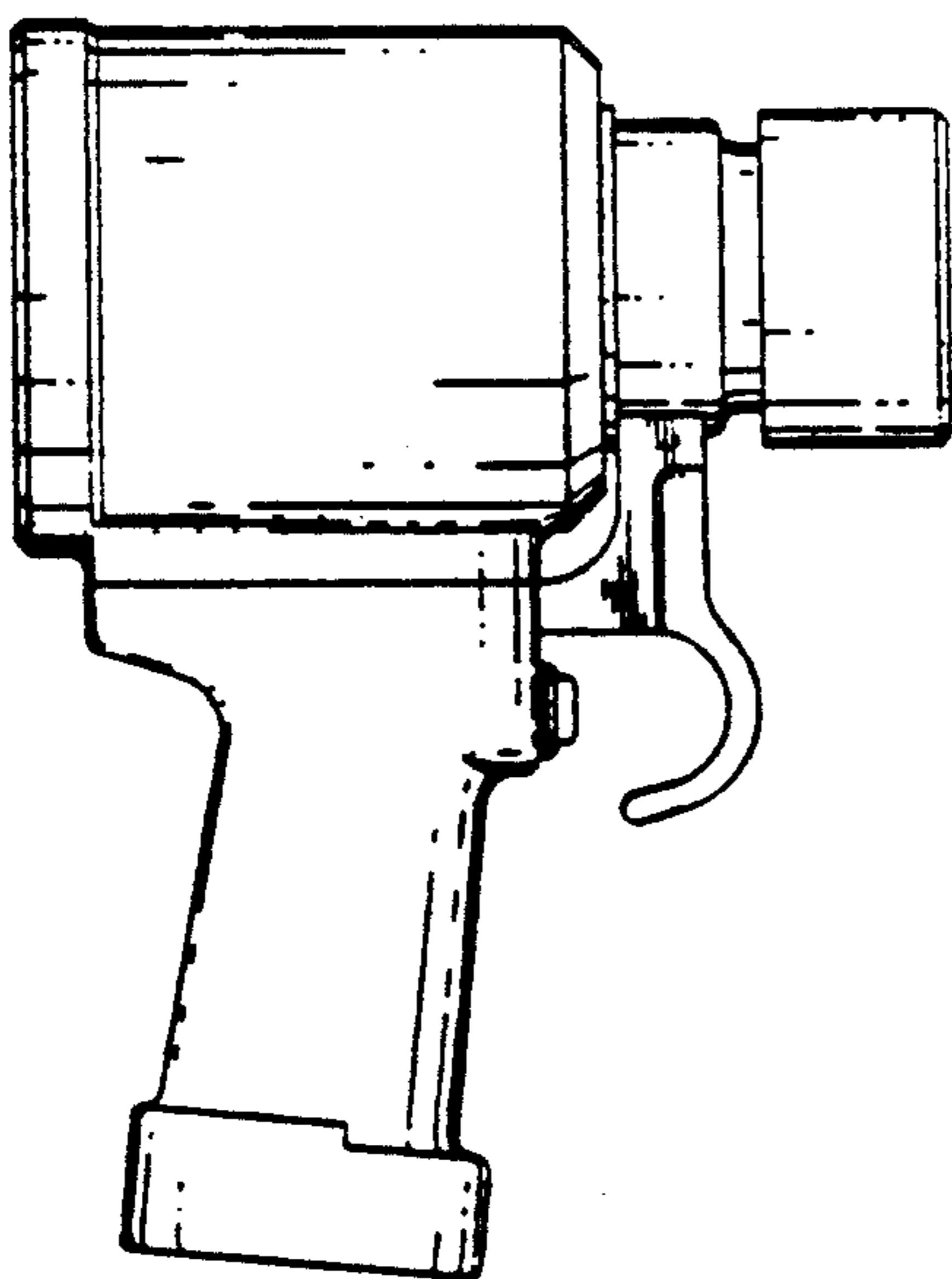


FIG 2

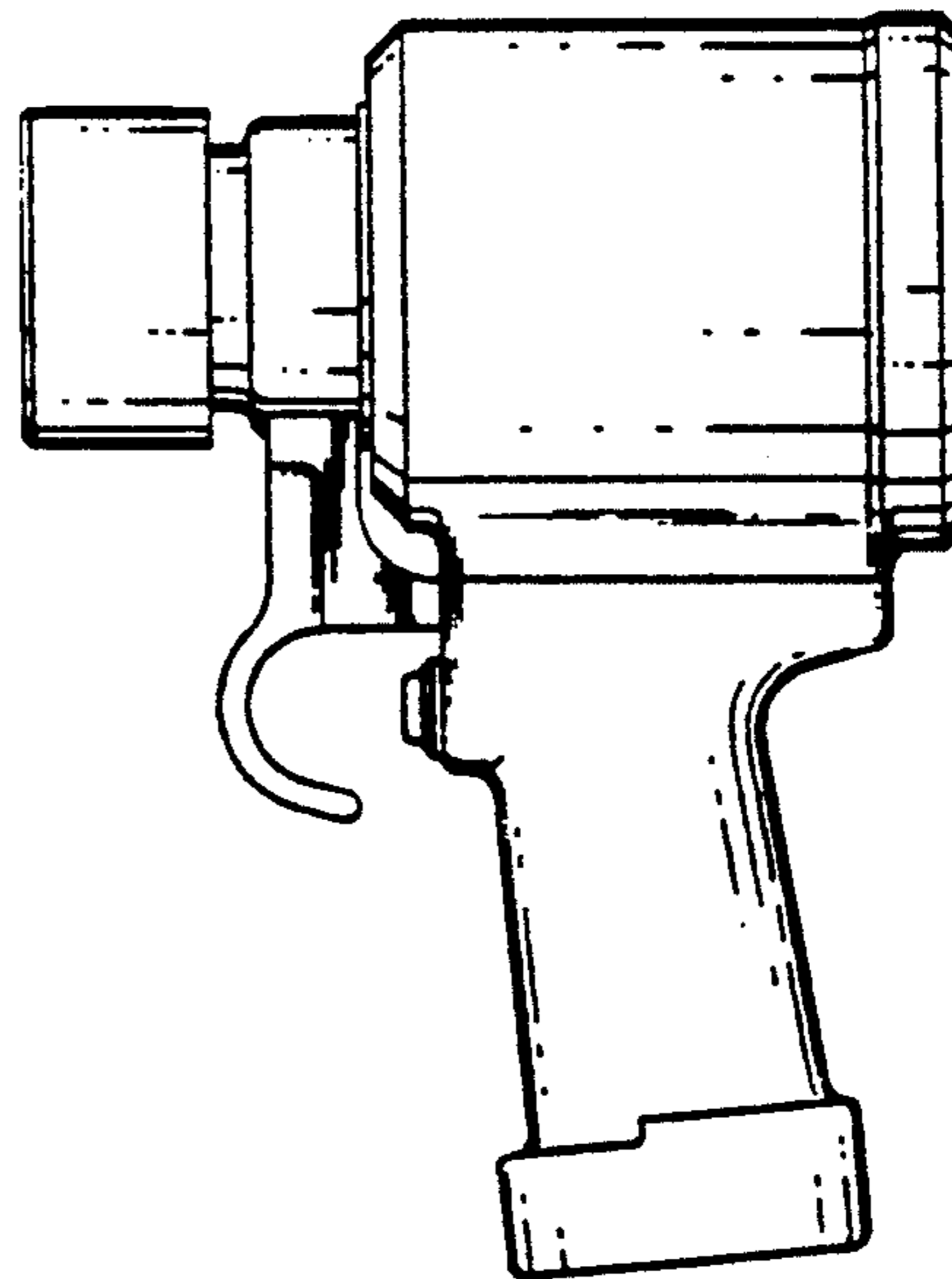


FIG 3

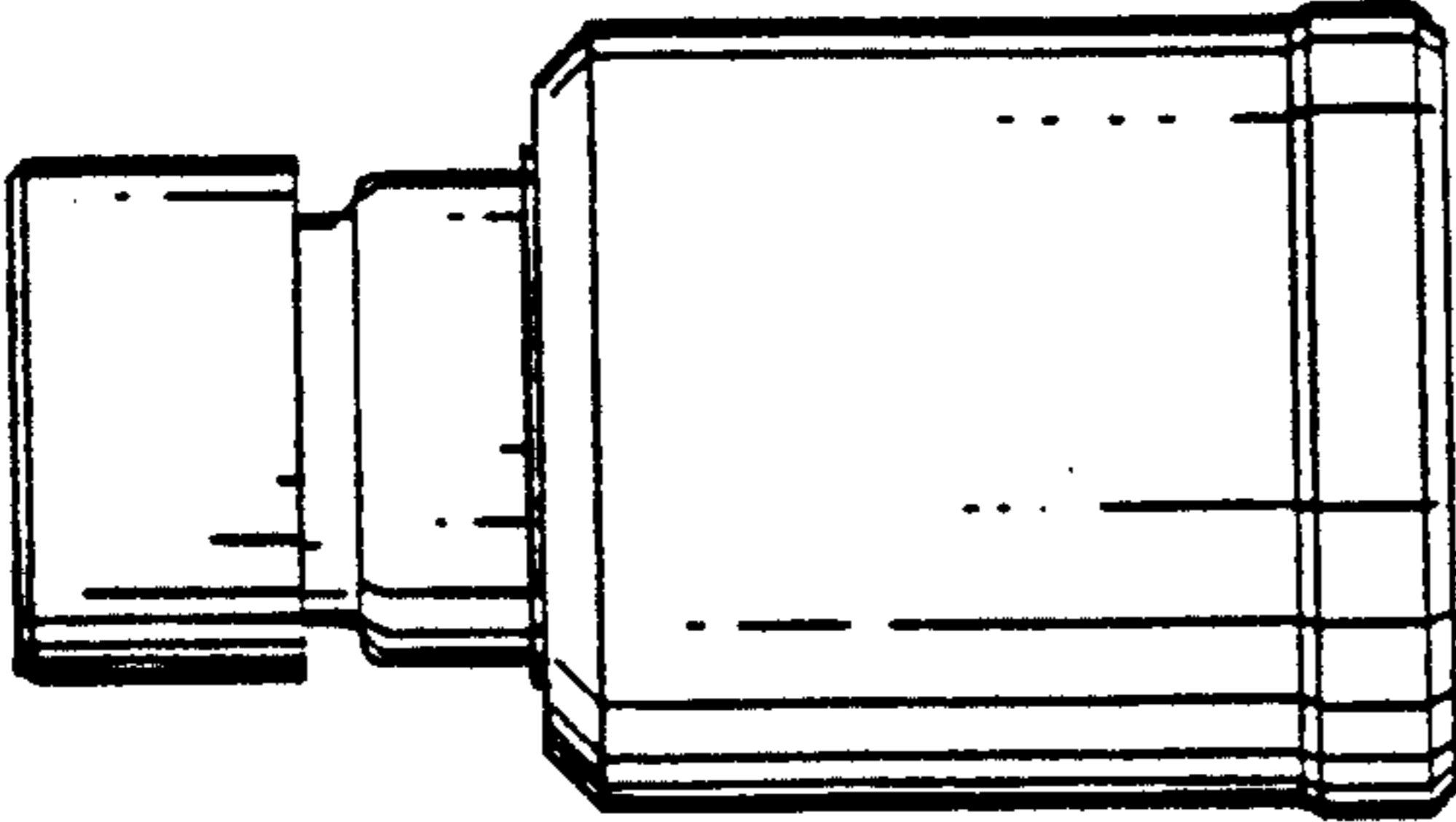


FIG 4

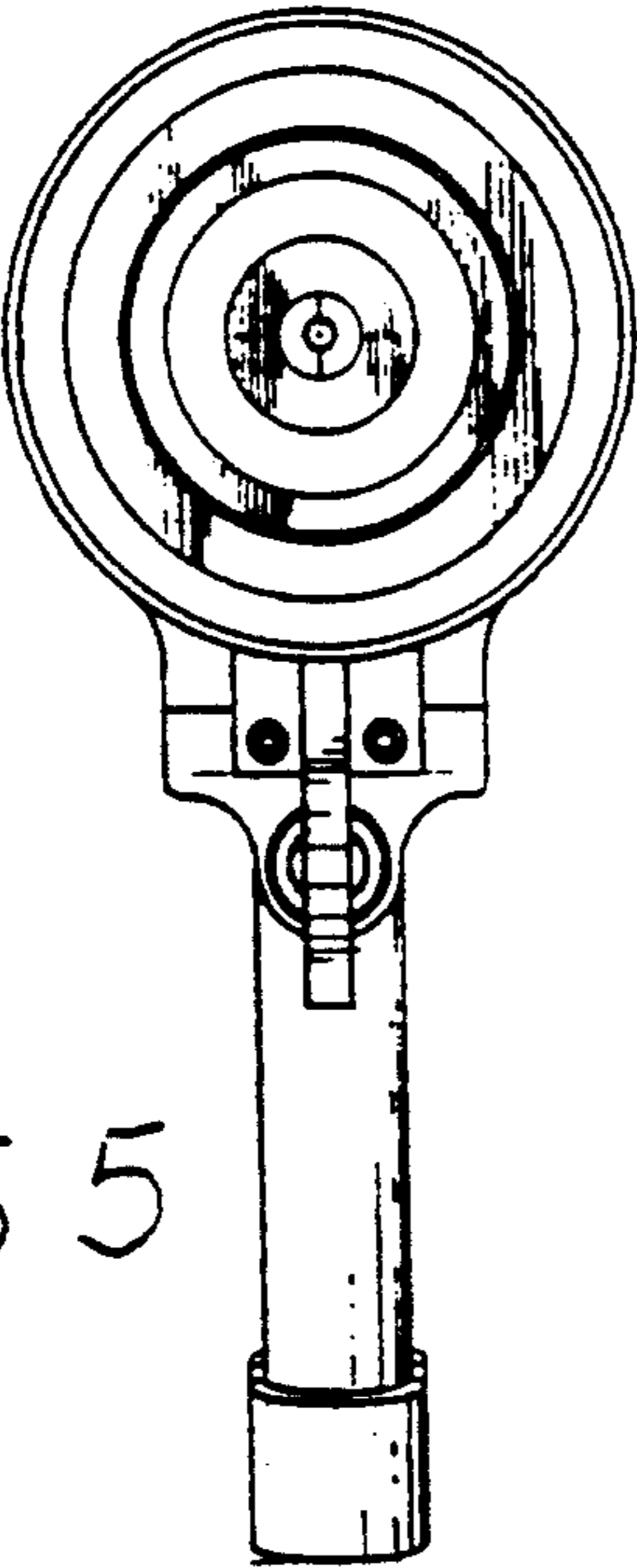


FIG 5

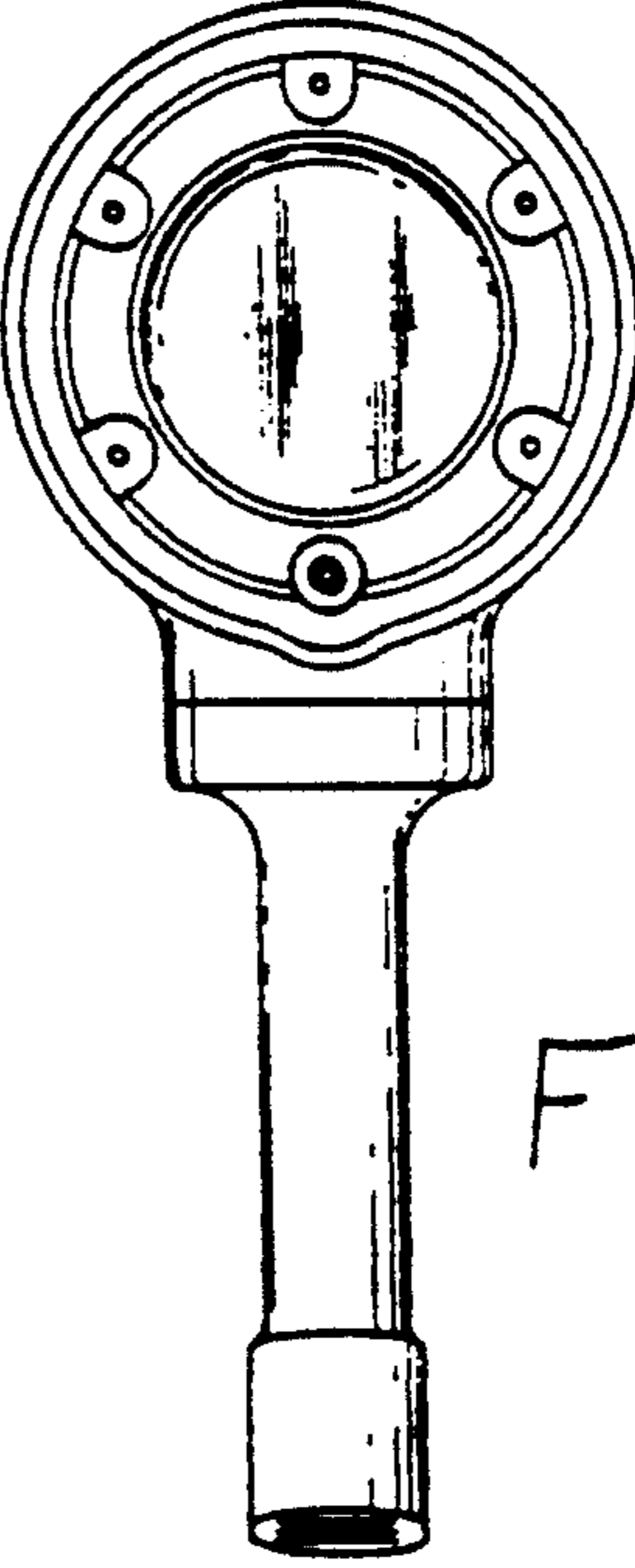


FIG 6

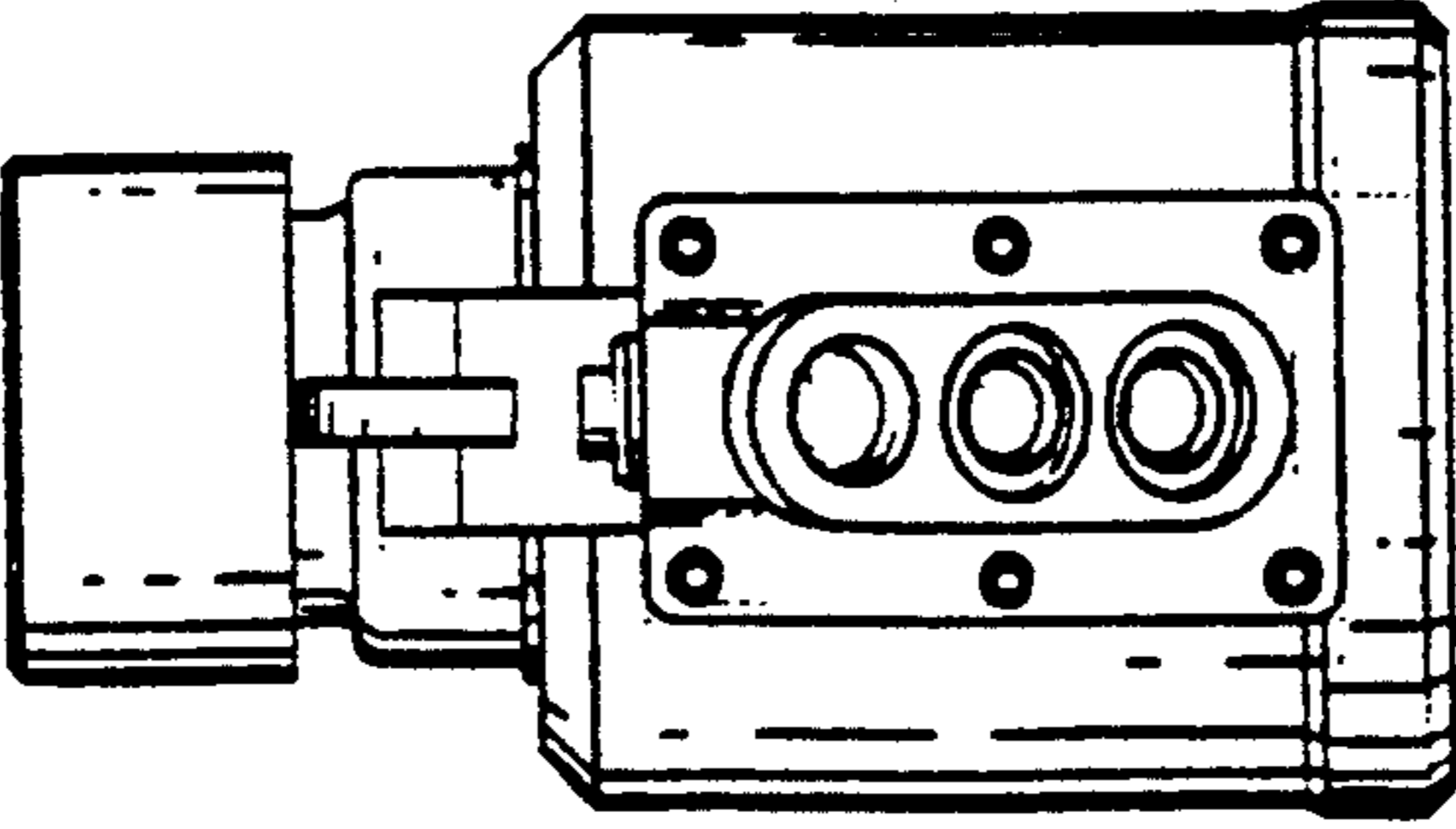


FIG 7