



US00D335248S

United States Patent [19]

[11] Patent Number: **Des. 335,248**

Horath et al.

[45] Date of Patent: **** May 4, 1993**

[54] SHOE-WORN TROWEL

[76] Inventors: **Clyde D. Horath; Nancy J. Horath**, both of R#2 Box 280, Beecher City, Ill. 62414.

[**] Term: **14 Years**

[21] Appl. No.: **601,569**

[22] Filed: **Oct. 23, 1990**

[52] U.S. Cl. **D8/45**

[58] Field of Search **D8/1, 10, 45; 36/85-86, 1; D2/265; 15/235.3-235.6**

[56] References Cited

U.S. PATENT DOCUMENTS

D. 293,160	12/1987	LeDroit	D2/317
2,413,545	12/1946	Cordi	36/1
2,714,768	8/1955	Badler	36/1
3,027,657	4/1962	LaPollo	36/1
3,032,897	5/1962	Gelineau	36/1
4,693,022	9/1987	Terhune	36/132
4,724,572	2/1988	Gringer	15/235.4

FOREIGN PATENT DOCUMENTS

366430 1/1923 Fed. Rep. of Germany 36/85
777630 6/1957 United Kingdom 36/1

OTHER PUBLICATIONS

Holiday Gifts Catalog, 1974, p. 82, Aerator sandals, circled at bottom of page.

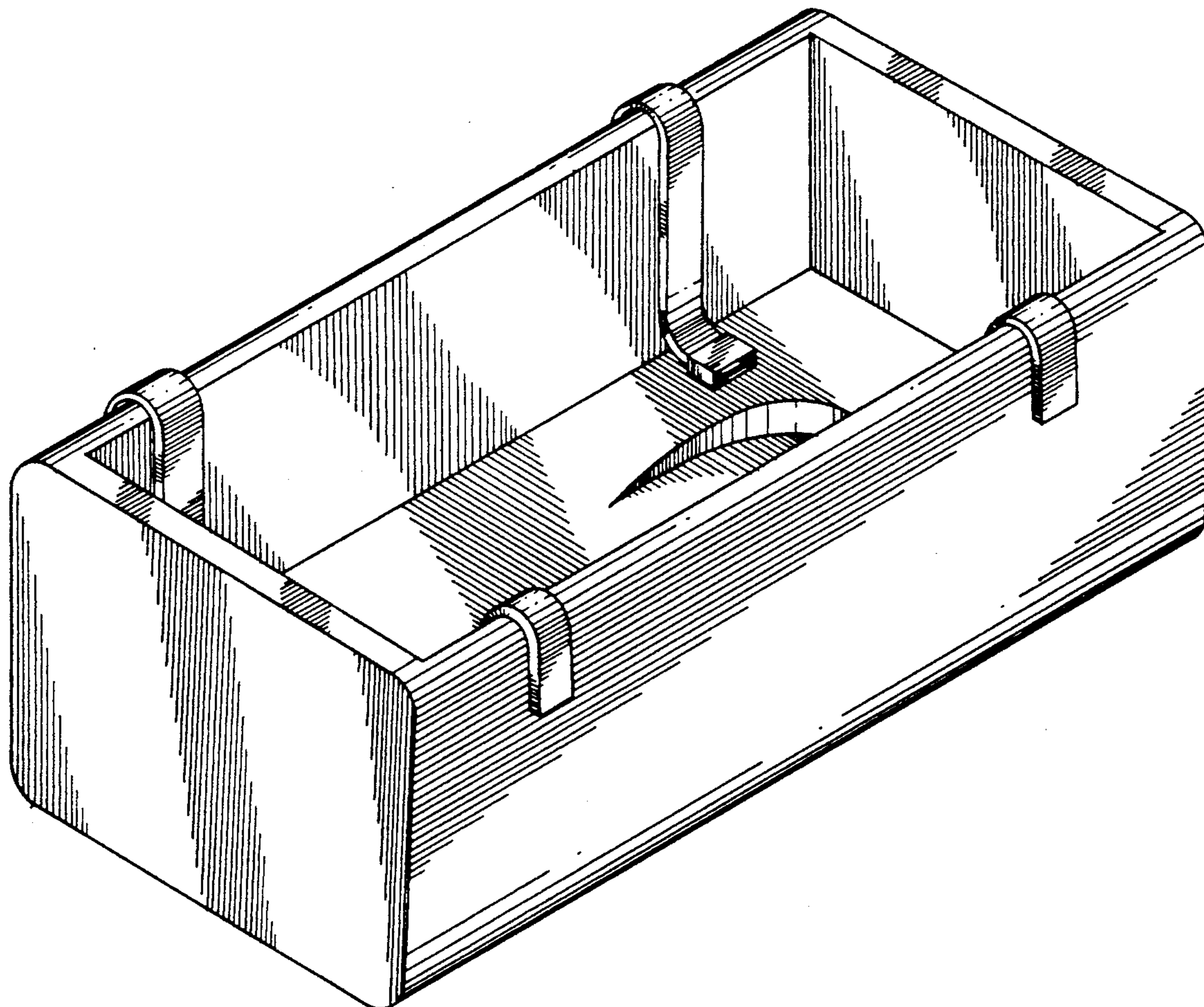
Primary Examiner—Wallace R. Burke
Assistant Examiner—H. Baynham
Attorney, Agent, or Firm—Terry M. Gernstein

[57] CLAIM

The ornamental design for a shoe-worn trowel, as shown and described.

DESCRIPTION

FIG. 1 is a top perspective view of a shoe-worn trowel showing our new design;
FIG. 2 is a front elevational view thereof;
FIG. 3 is a rear elevational view thereof;
FIG. 4 is a side elevational view thereof with the opposite side being a mirror image;
FIG. 5 is a top plan view thereof; and,
FIG. 6 is a bottom plan view thereof.



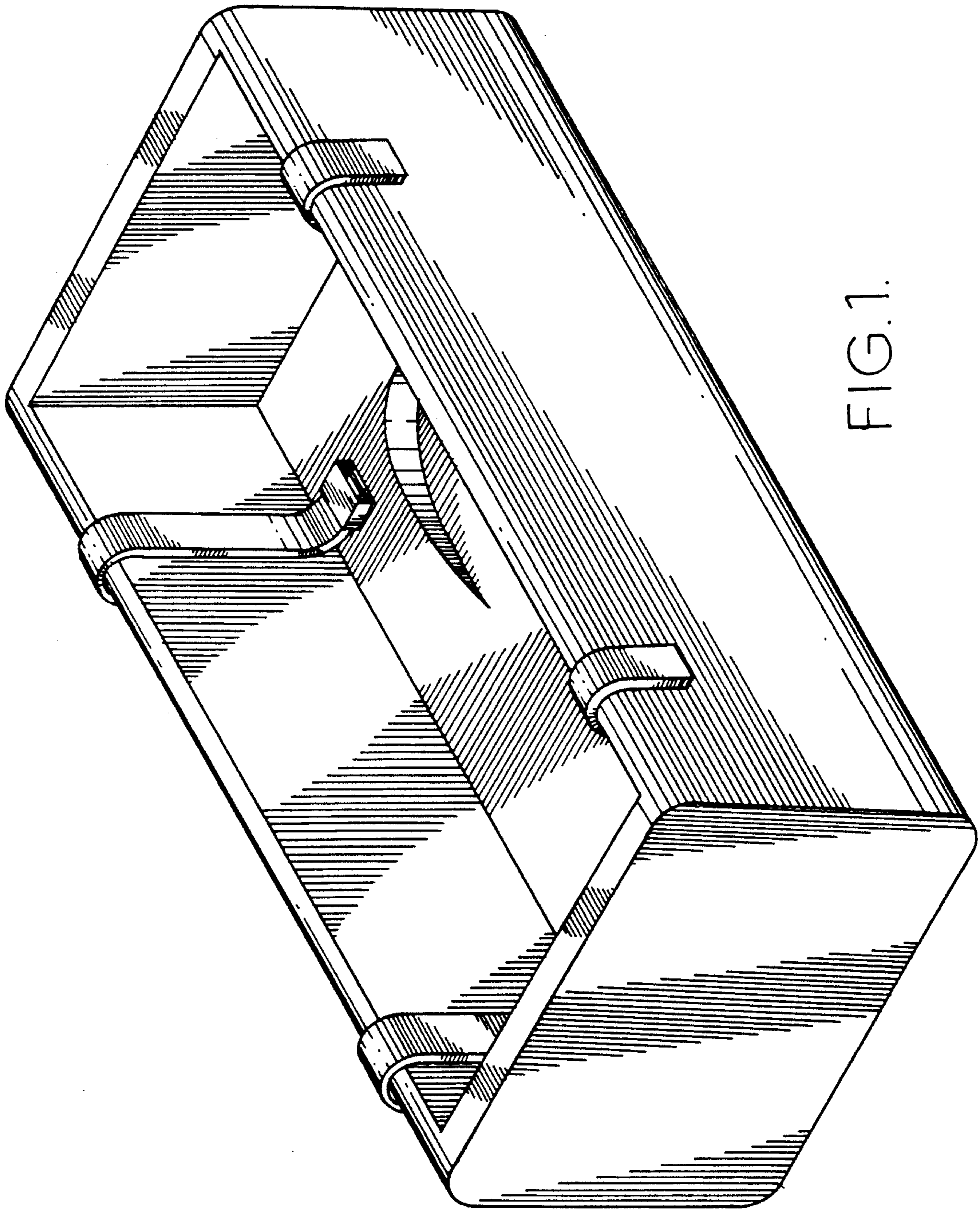


FIG. 1.

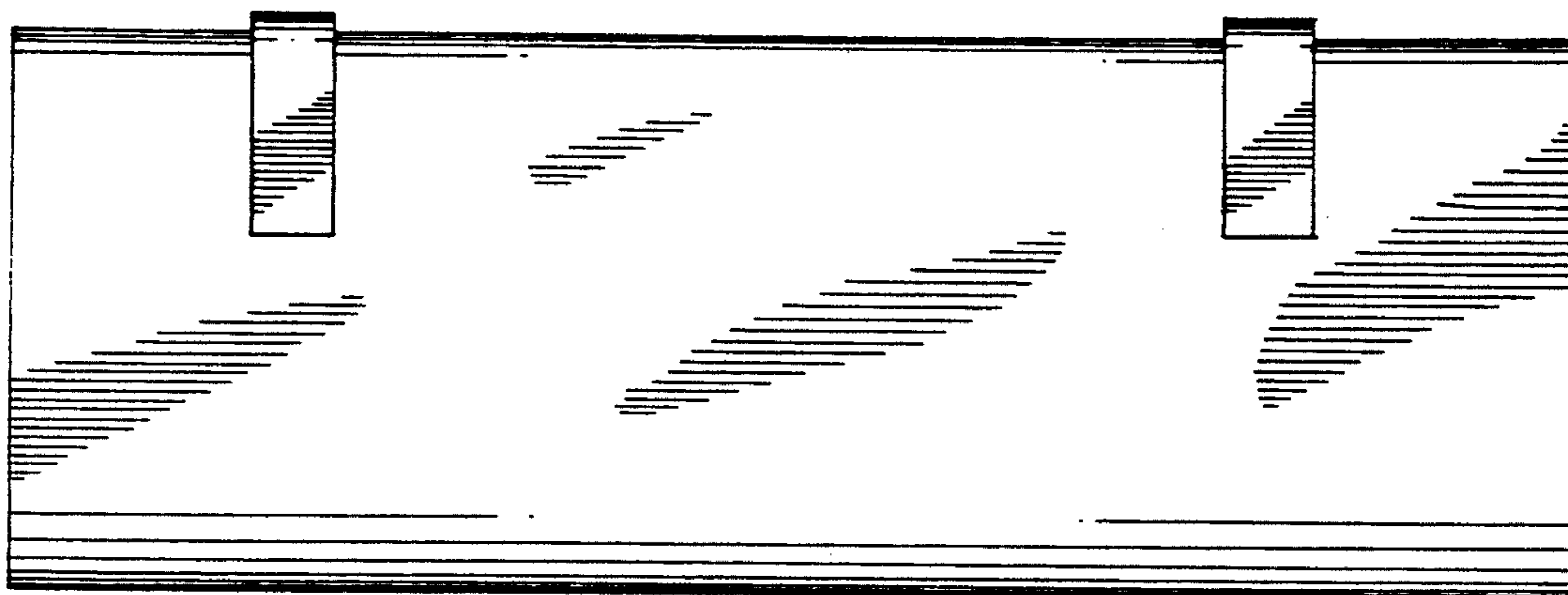
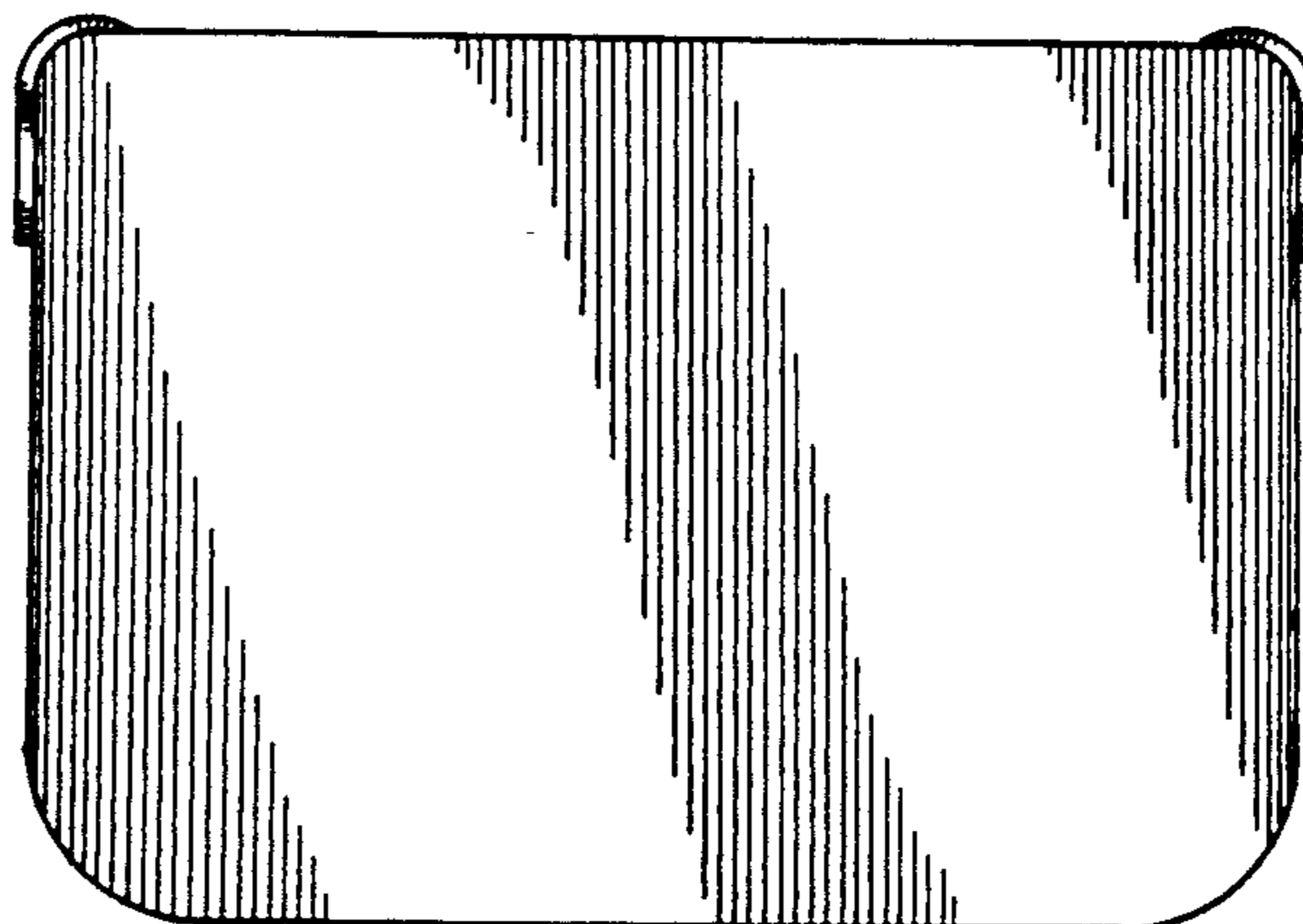


FIG. 4.

FIG. 2.



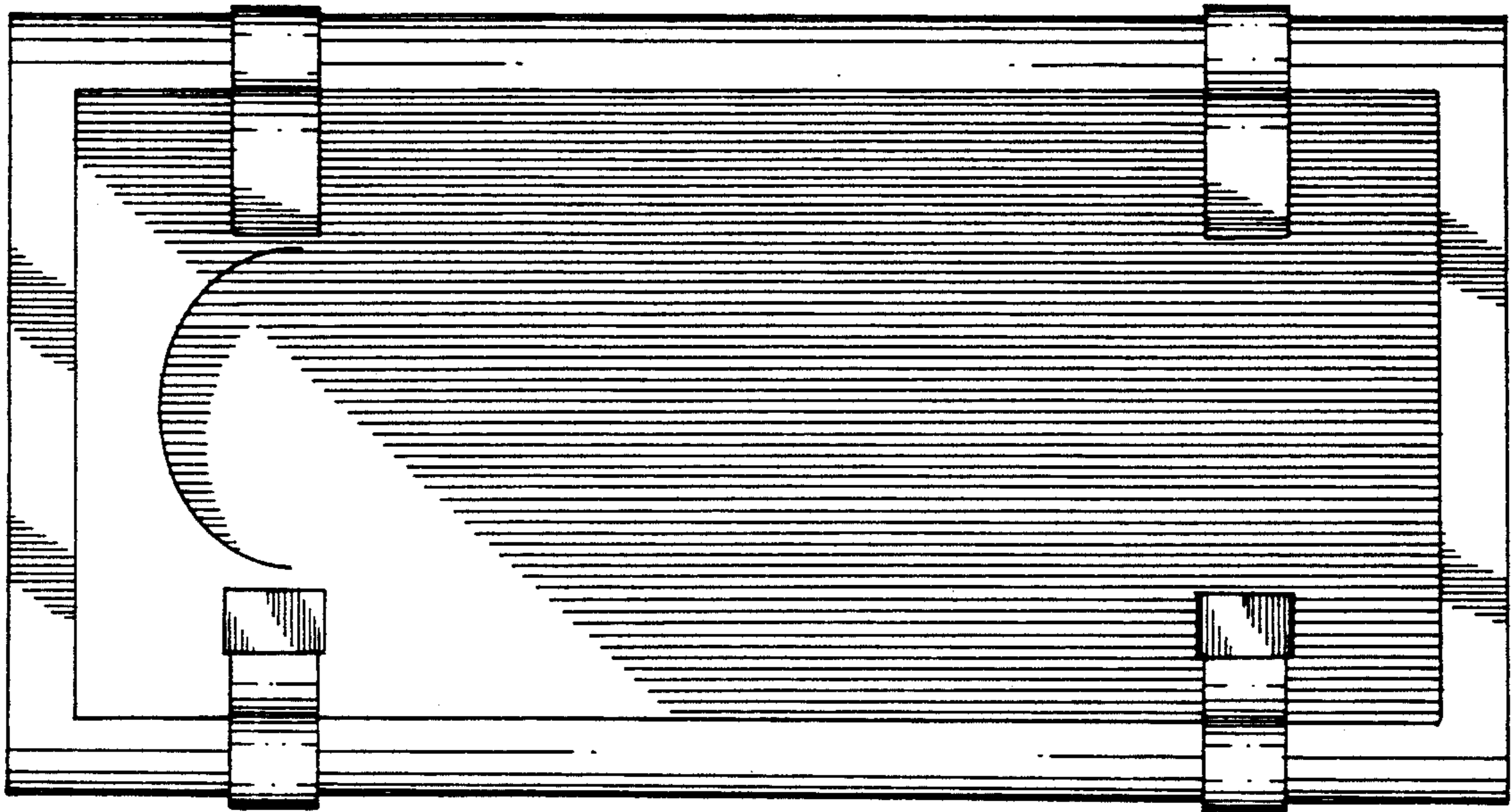


FIG. 5.

FIG. 3.

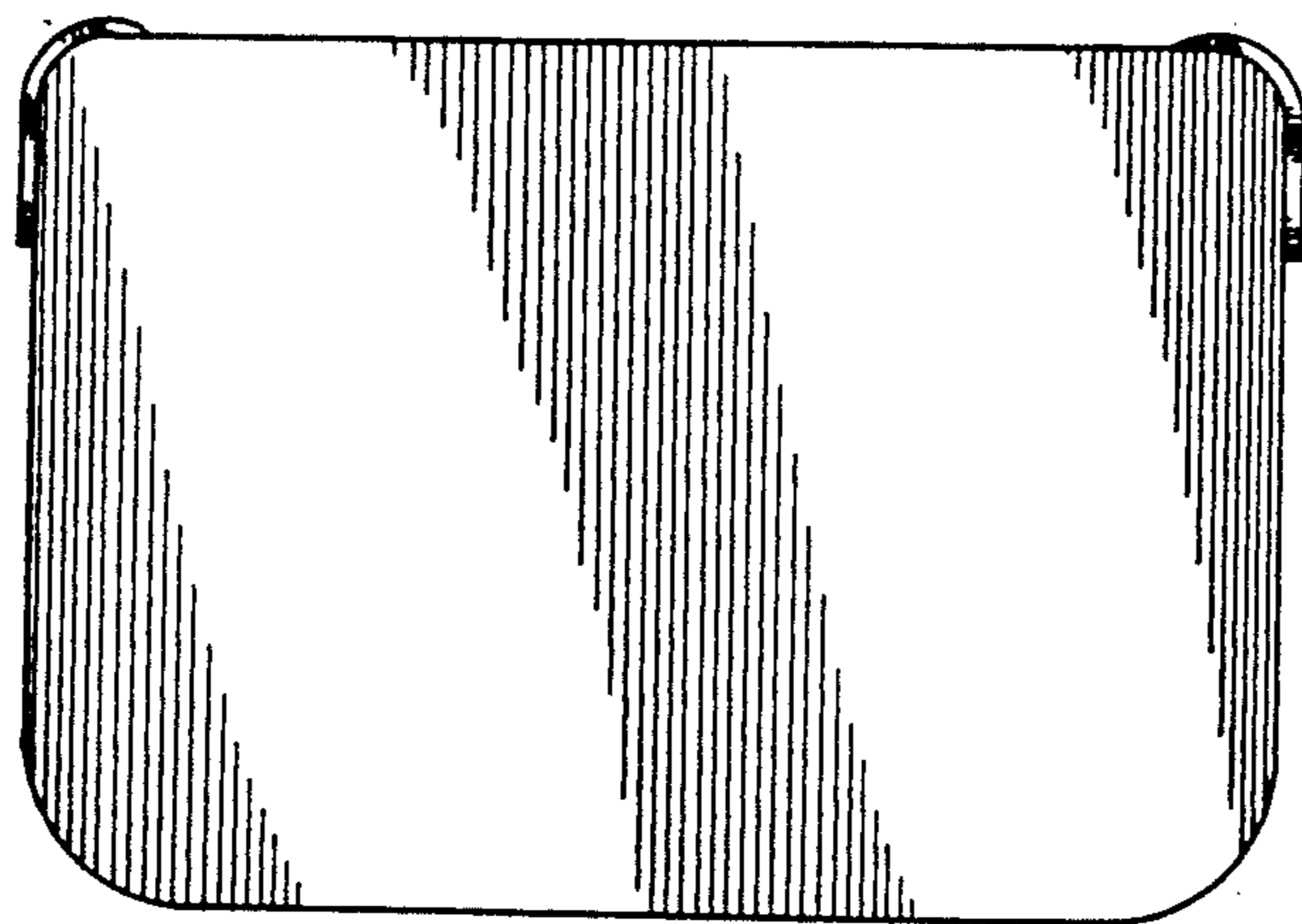


FIG. 6.

