



US00D335244S

United States Patent [19]
Abrams

[11] **Patent Number: Des. 335,244**
[45] **Date of Patent: ** May 4, 1993**

[54] **CONDIMENT CADDY**

[56] **References Cited**

U.S. PATENT DOCUMENTS

3,966,103 6/1976 Abrams D7/600

Primary Examiner—Terry A. Pfeffer
Attorney, Agent, or Firm—Sherman and Shalloway

[76] **Inventor: Hyman Abrams, P.O. Box 27, North Hackensack Station, River Edge, N.J. 07661**

[57] **CLAIM**

[**] **Term: 14 Years**

The ornamental design for a condiment caddy, as shown and described.

DESCRIPTION

[21] **Appl. No.: 699,226**

FIG. 1 is a front elevational view of the condiment caddy showing my new design;
FIG. 2 is a rear elevational view thereof;
FIG. 3 is a left side elevational view thereof;
FIG. 4 is a right side elevational view thereof;
FIG. 5 is a top plan view thereof; and,
FIG. 6 is a bottom plan view thereof.

[22] **Filed: May 13, 1991**

[52] **U.S. Cl. D7/600**

[58] **Field of Search D7/598, 600, 616-618; 211/71, 72, 74; 294/144, 146, 161, 172**

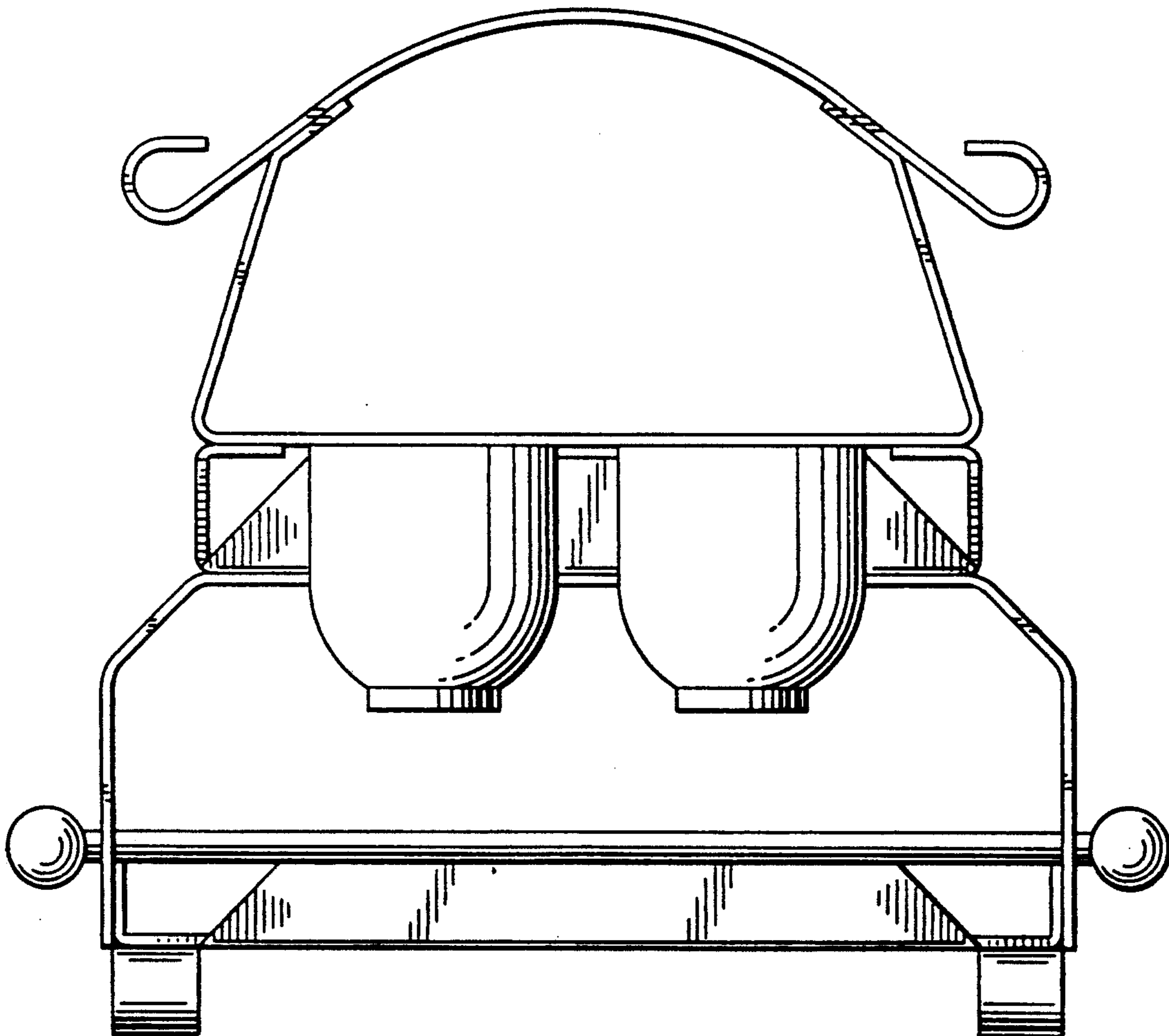


Fig. 1

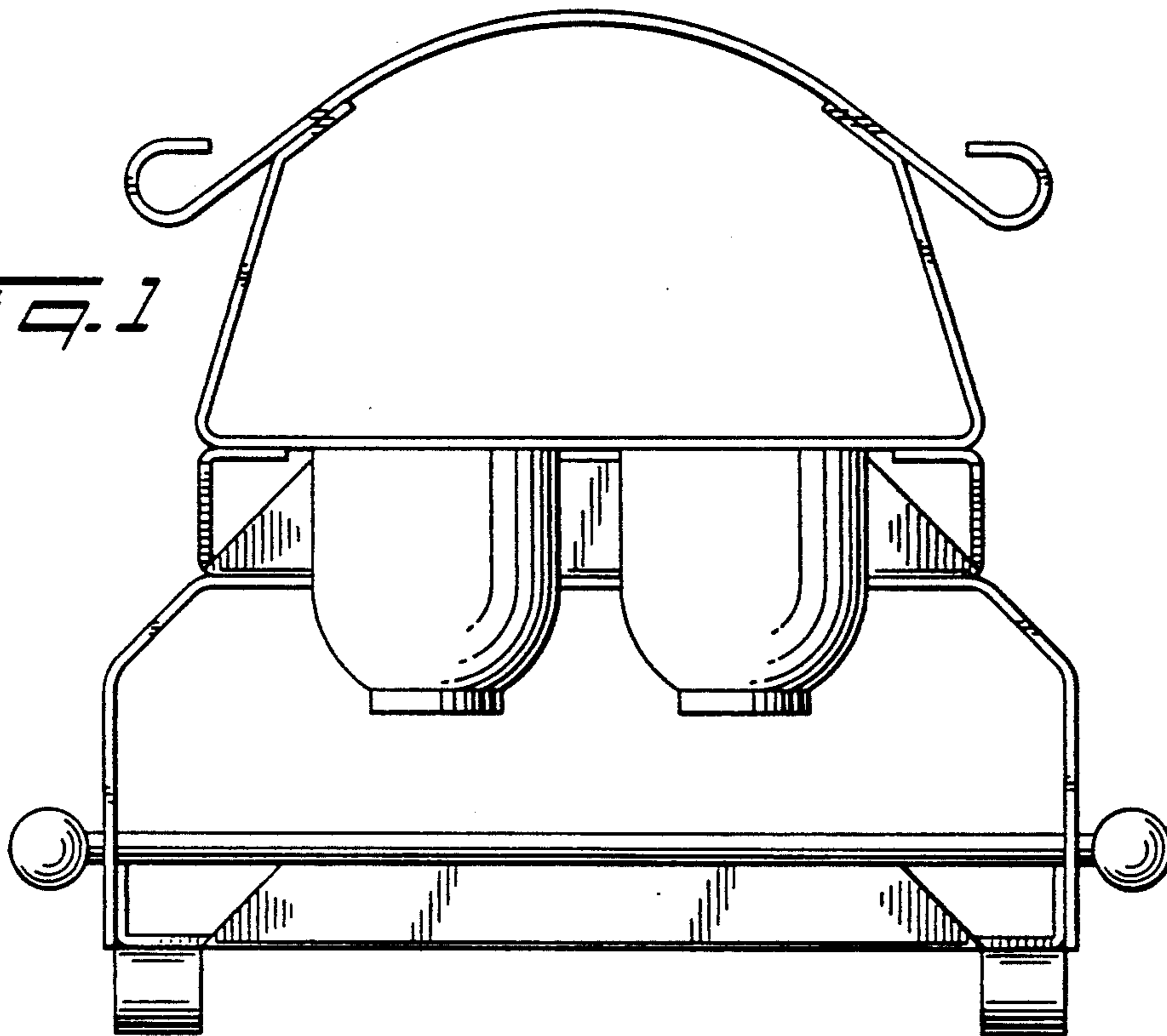


Fig. 2

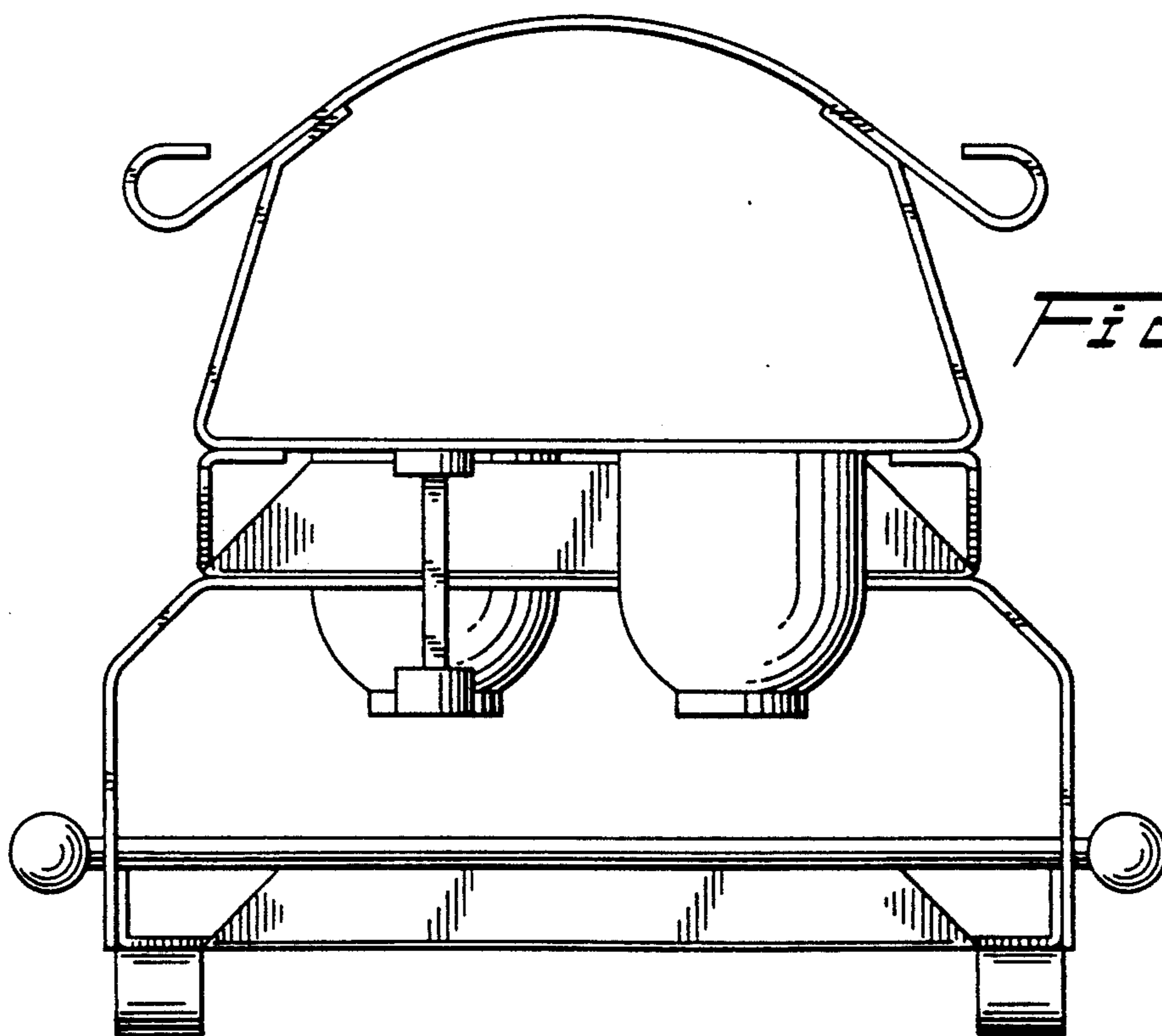


Fig. 3

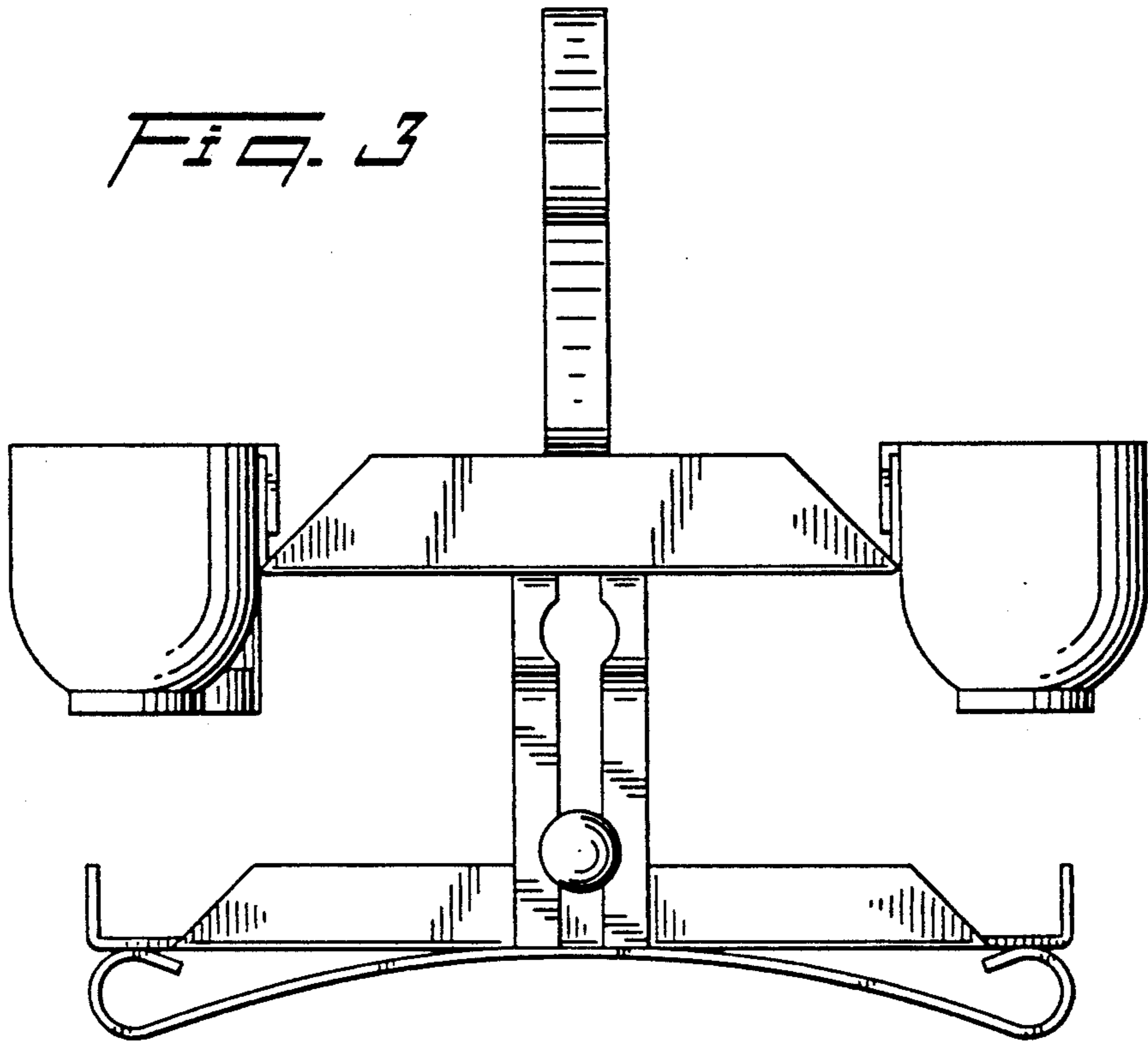


Fig. 4

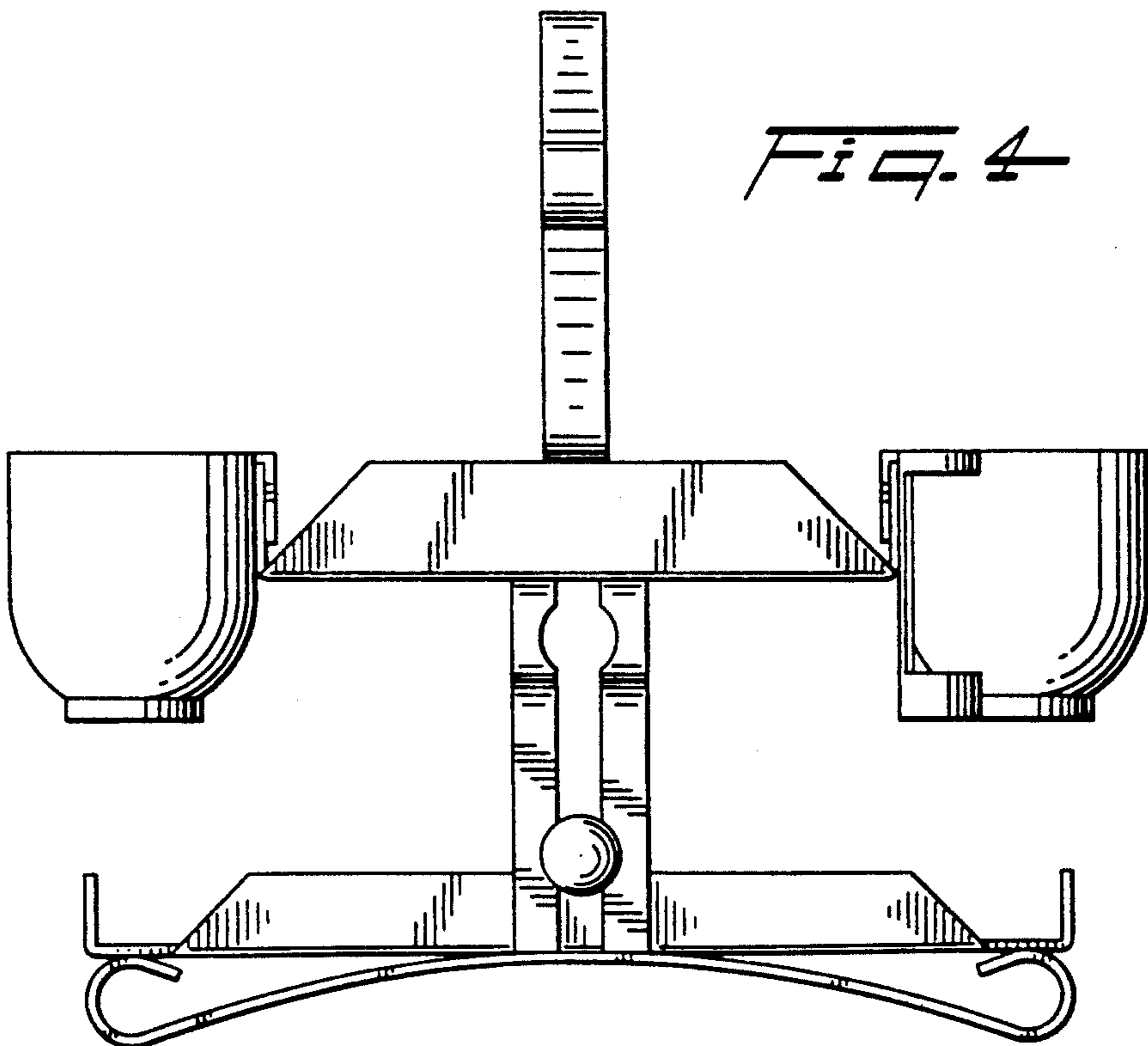


Fig. 5

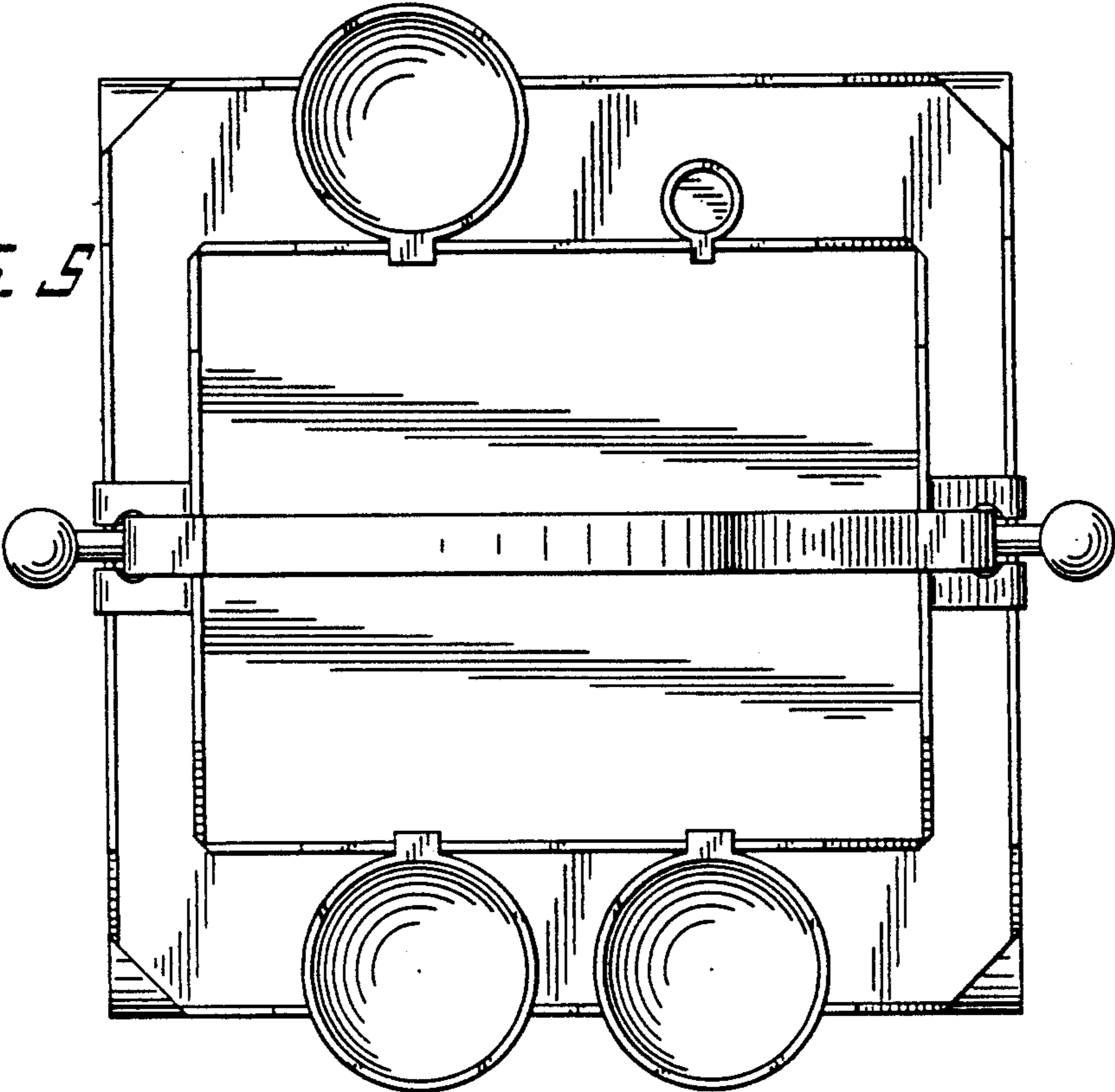


Fig. 6

