



US00D335242S

# United States Patent [19]

[11] Patent Number: **Des. 335,242**

Saunders

[45] Date of Patent: **\*\* May 4, 1993**

## [54] BULK FOOD DISPENSER

4,718,578 1/1988 Radek et al. .... 222/154 X  
5,020,719 6/1991 Roth et al. .... 229/122.1

[76] Inventor: **Michael P. Saunders**, 86 Park Lane Crescent, London, Ontario, Canada, N6K 2T8

### OTHER PUBLICATIONS

Packaging Cat 1941, p. 47, folding dispensers, top of the page.

[\*\*] Term: **14 Years**

*Primary Examiner*—Bernard Ansher  
*Assistant Examiner*—Prabhakar Deshmukh

[21] Appl. No.: **507,180**

[22] Filed: **Apr. 10, 1990**

[52] U.S. Cl. .... **D7/589; D9/417**

[58] Field of Search ..... **D9/417, 414, 341, 432; 206/45.18, 124, 39, 39.6; 222/154, 173, 180, 181, 185; 229/122.1; D7/589; D20/1, 3, 7**

### [57] CLAIM

The ornamental design for a bulk food dispenser, as shown and described.

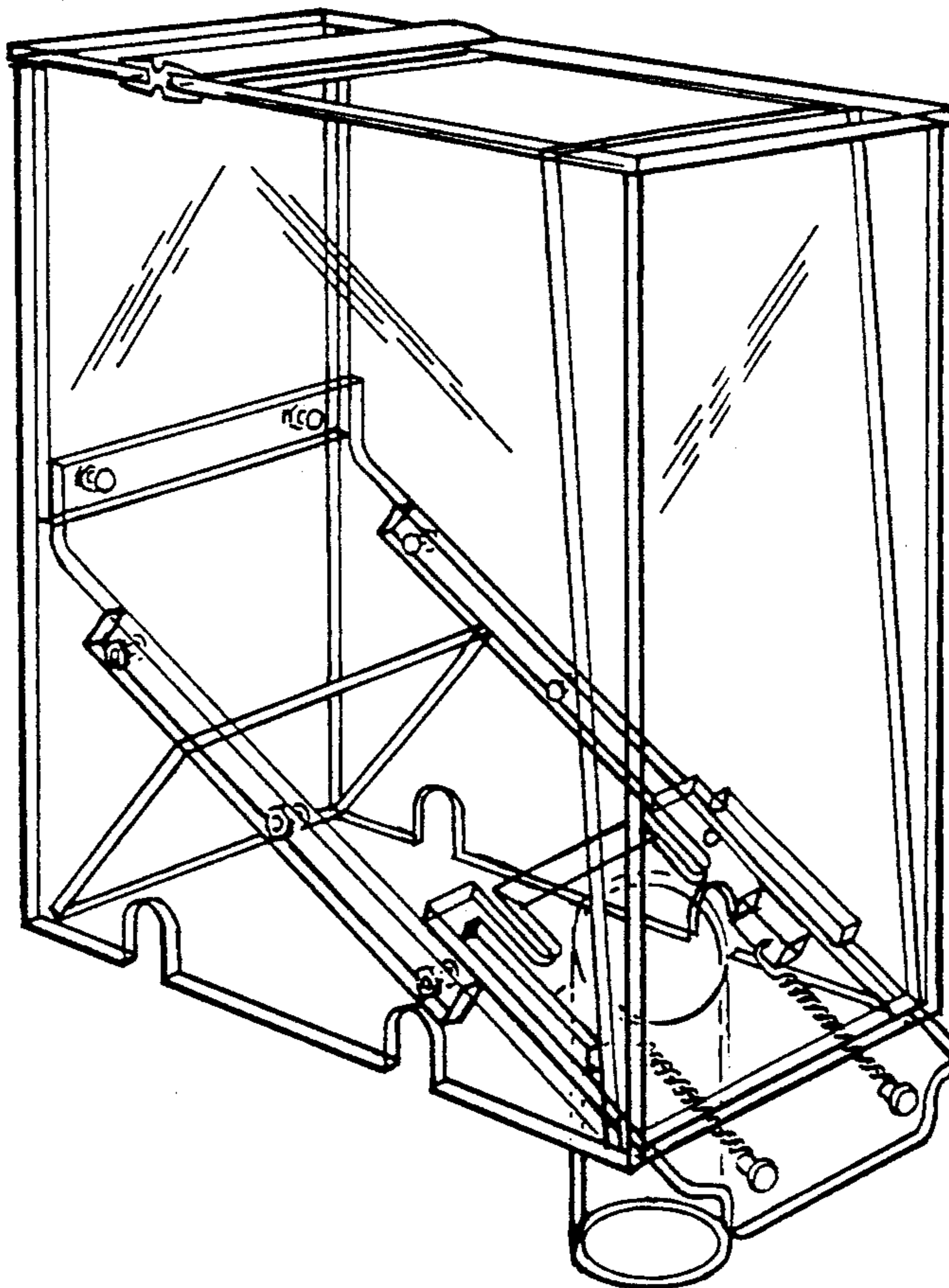
### DESCRIPTION

### [56] References Cited

#### U.S. PATENT DOCUMENTS

D. 276,020	10/1984	Battista	.....	D7/589
D. 276,683	12/1984	Silva	.....	D7/589 X
D. 283,869	5/1986	Blahowicz	.....	D7/589
D. 302,949	8/1989	Eisendrath	.....	D9/432
2,269,761	1/1942	Gauvreau	.....	222/154
3,227,322	1/1966	Crain	.....	229/122.1 X
4,039,118	8/1977	Kawaoka	.....	229/122.1
4,658,984	4/1987	Brunner	.....	229/122.1 X

FIG. 1 is a front elevational view of a bulk food dispenser showing my new design;  
FIG. 2 is a right side elevational view thereof; the left side elevational view being a mirror image thereof;  
FIG. 3 is a rear elevational view thereof in an open position;  
FIG. 4 is a bottom plan view thereof;  
FIG. 5 is a top plan view thereof in an open position;  
and,  
FIG. 6 is a perspective view thereof.



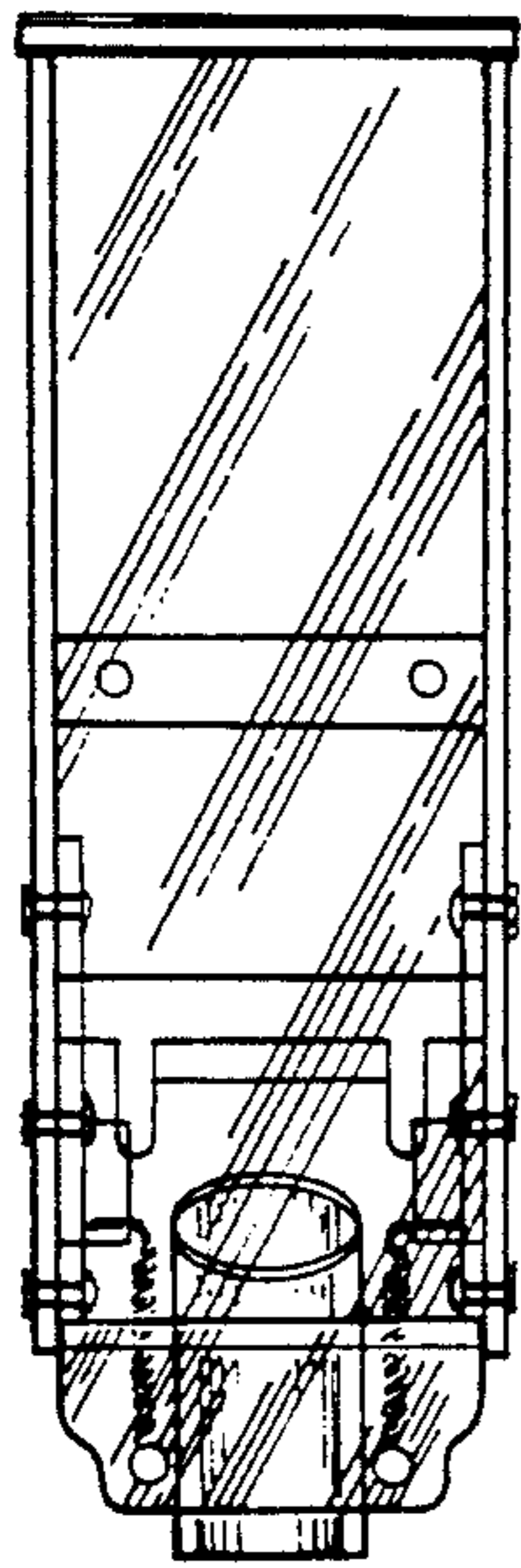


Fig1

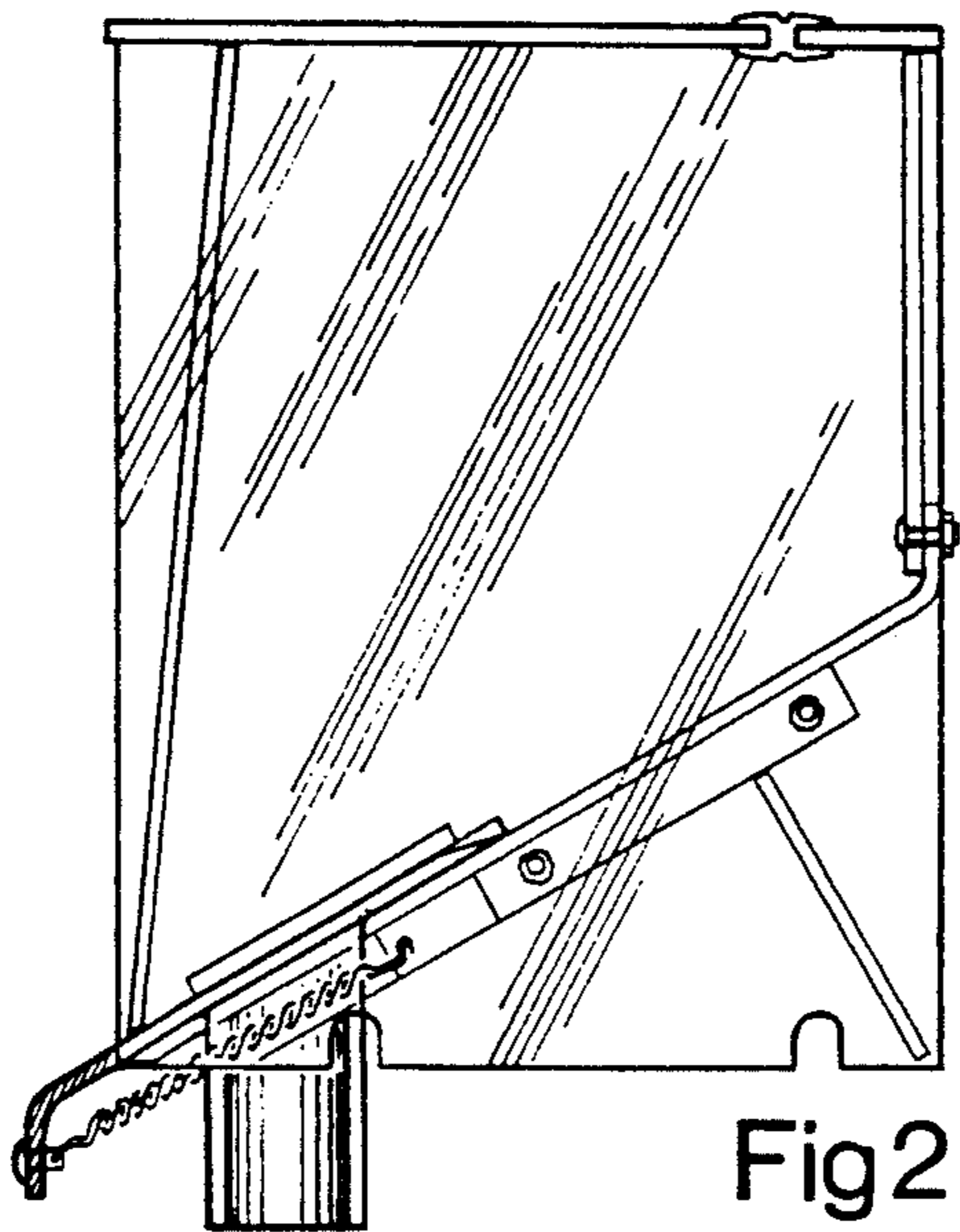


Fig2

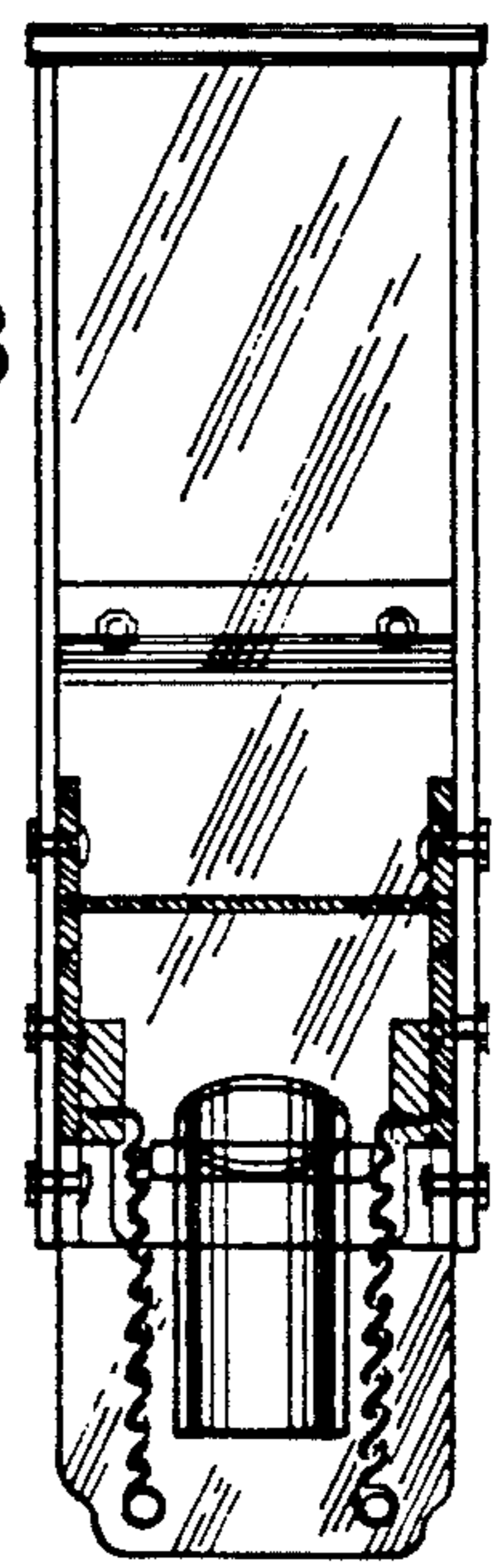


Fig3

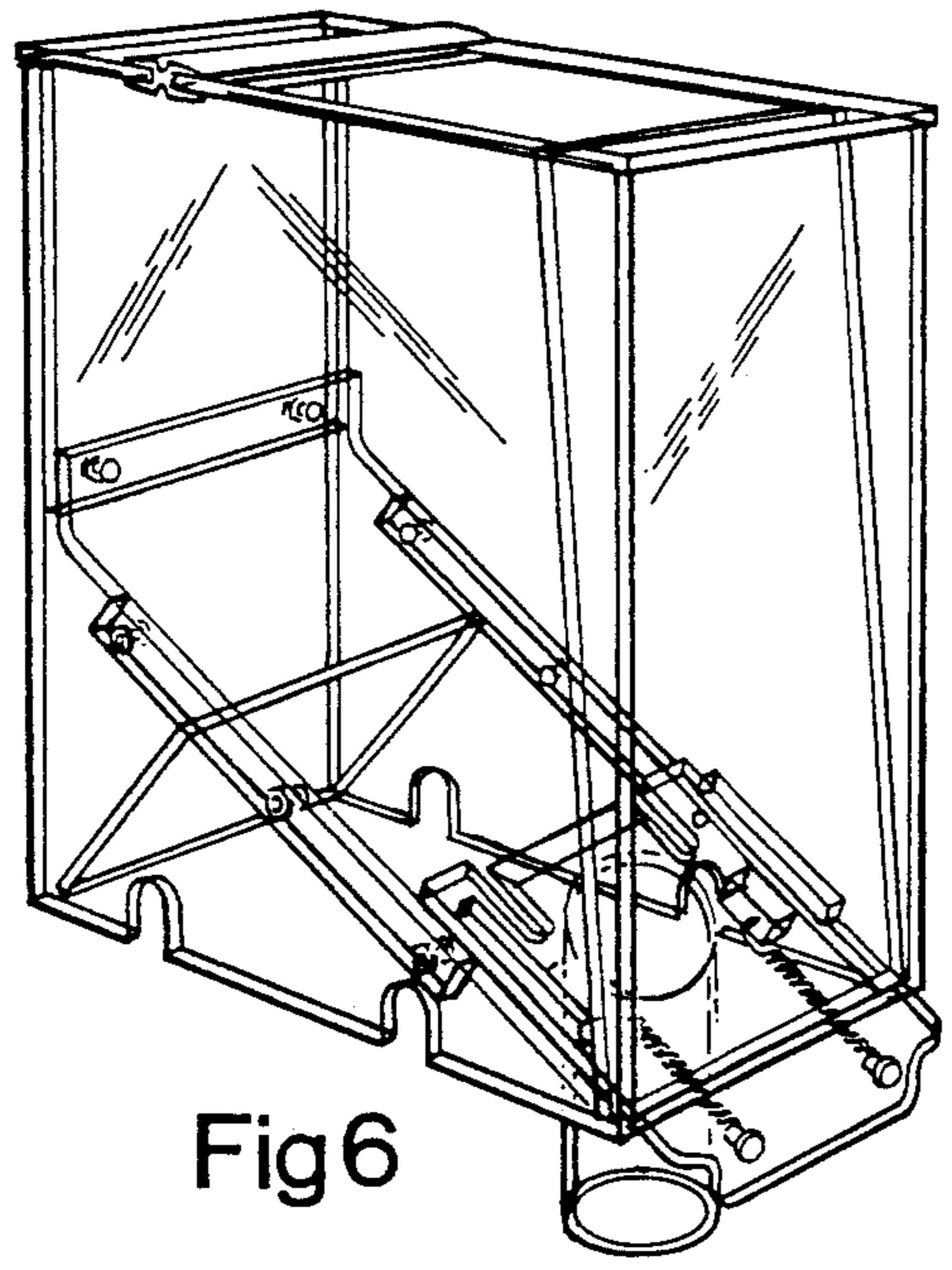


Fig6

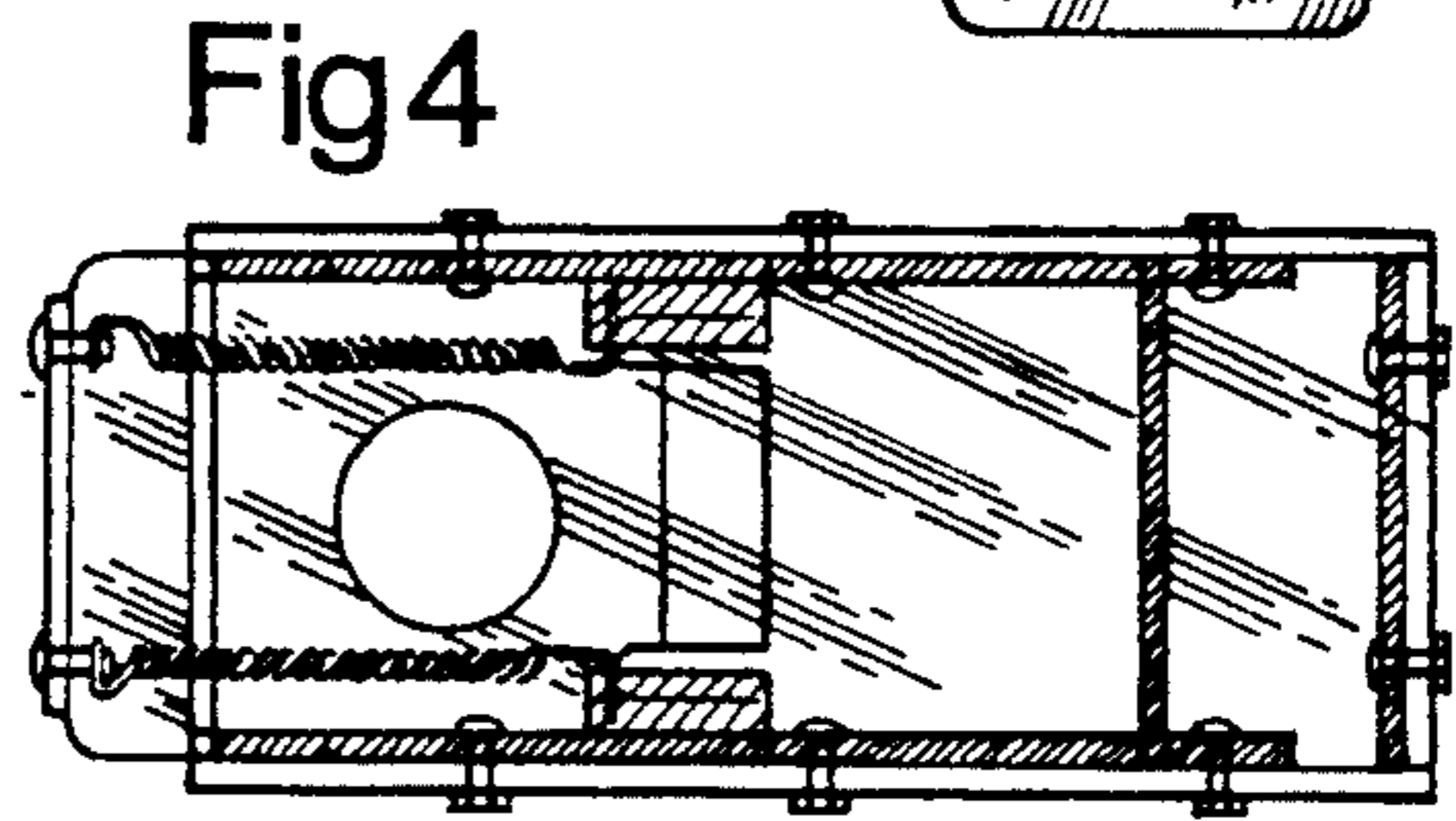


Fig4

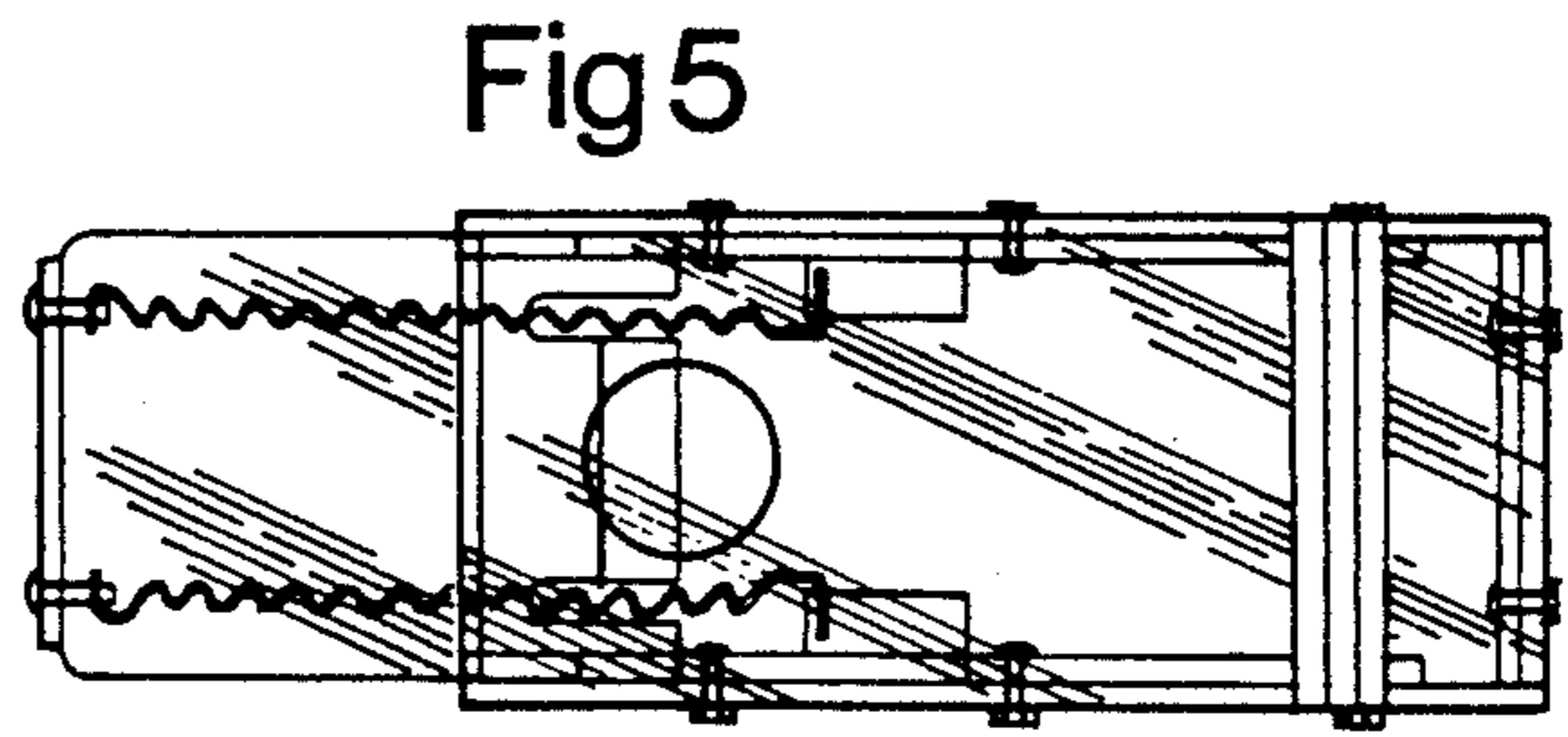


Fig5