



US00D335238S

# United States Patent [19]

Correa et al.

[11] Patent Number: **Des. 335,238**

[45] Date of Patent: **\*\* May 4, 1993**

[54] **KETTLE**

[75] Inventors: **Alvaro Correa**, Cheshire, Conn.;  
**Gary VanDeursen**, Upper Saddle  
River, N.J.; **David W. Kaiser**, North  
Haven, Conn.

[73] Assignee: **Black & Decker Inc.**, Newark, Del.

[\*\*] Term: **14 Years**

[21] Appl. No.: **586,040**

[22] Filed: **Sep. 21, 1990**

[52] U.S. Cl. .... **D7/317; D7/318**

[58] Field of Search ..... **D7/317, 301, 321, 514,**  
**D7/515, 519, 520, 300, 316, 319, 318, 604, 617,**  
**628, 213, 619, 622; D10/46.2; 222/465.1, 572,**  
**475.1; 99/279, 215, 306; 220/756; 215/100 A**

[56] **References Cited**

### U.S. PATENT DOCUMENTS

D. 45,541 3/1914 Sanford ..... D7/317

D. 160,516 10/1950 Marsh ..... 222/465.1 X  
D. 189,696 1/1961 Nagel ..... D7/619 X  
1,380,066 5/1921 Johnson ..... 222/572  
1,872,771 8/1932 Little ..... 222/572  
3,558,023 1/1971 Yoshito ..... 220/756 X  
4,957,222 9/1990 Kessler et al. .... D7/318 X

*Primary Examiner*—Alan P. Douglas  
*Assistant Examiner*—M. N. Pandozzi  
*Attorney, Agent, or Firm*—Barry E. Deutsch

### [57] CLAIM

The ornamental design for a kettle, as shown.

### DESCRIPTION

FIG. 1 is a top, rear, right perspective view of a kettle, showing our new design;  
FIG. 2 is a right side elevational view thereof;  
FIG. 3 is a rear elevational view thereof;  
FIG. 4 is a left side elevational view thereof;  
FIG. 5 is a front elevational view thereof;  
FIG. 6 is a top plan view thereof; and,  
FIG. 7 is a bottom plan view thereof.

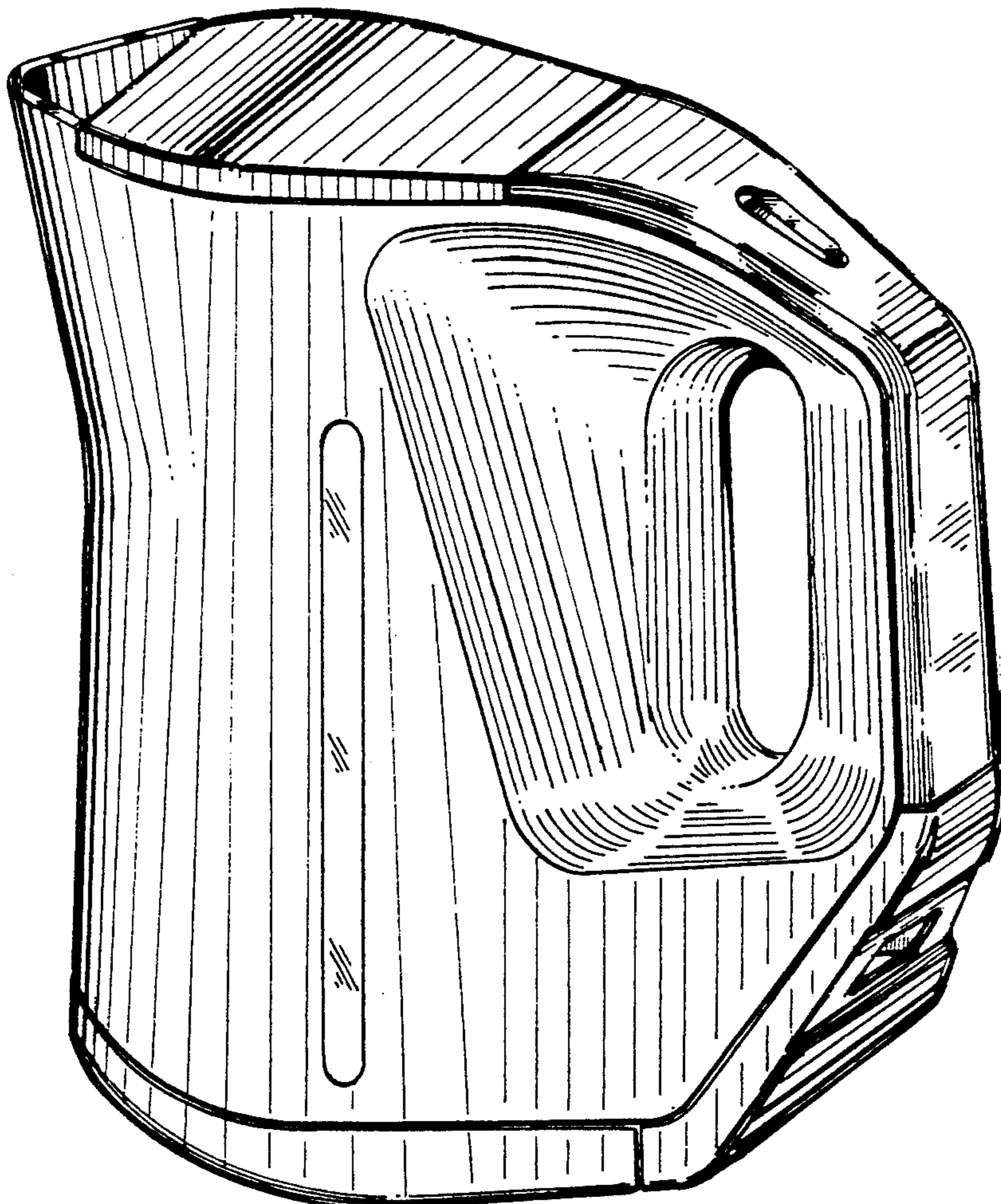


FIG. 1

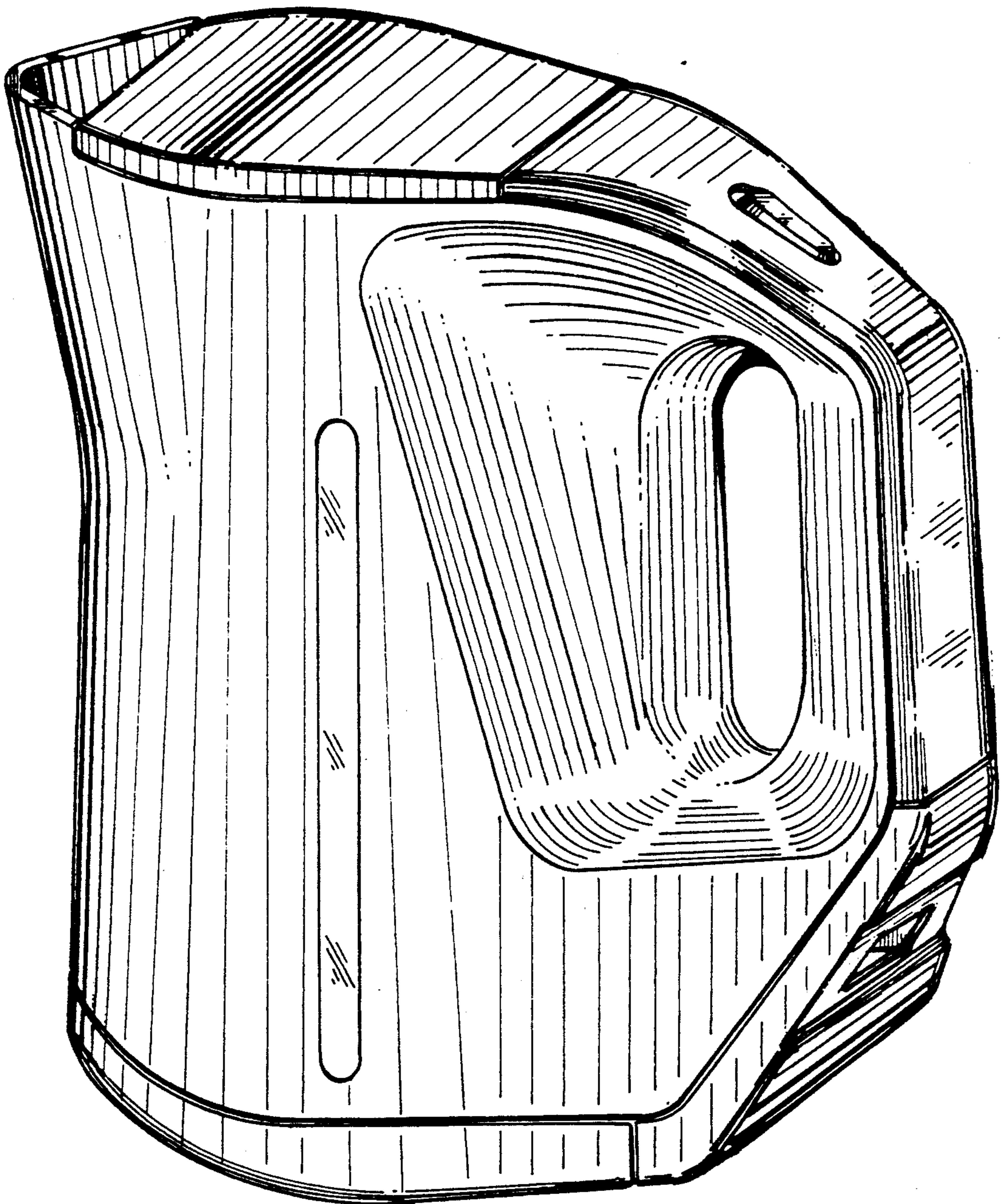


FIG. 3

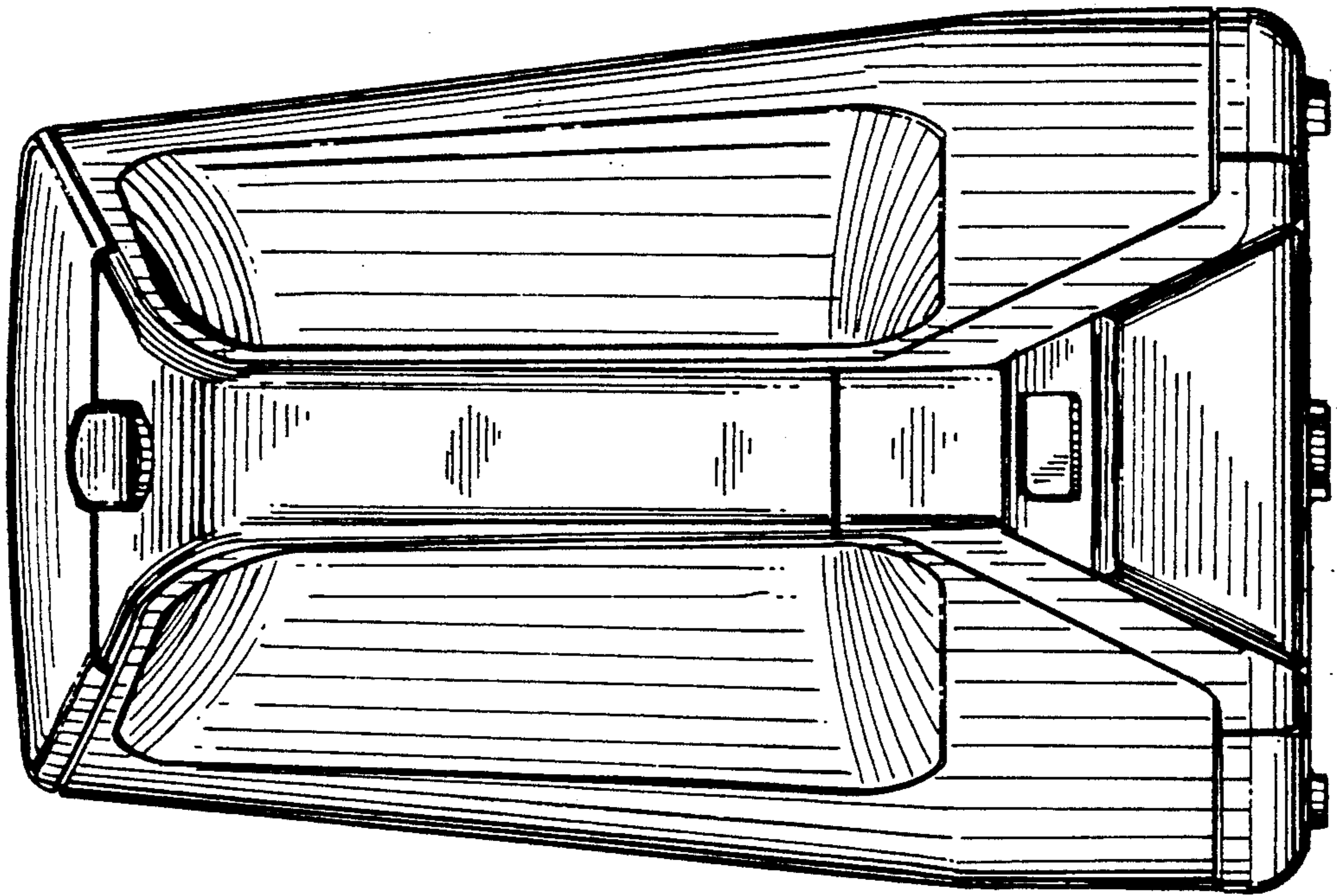
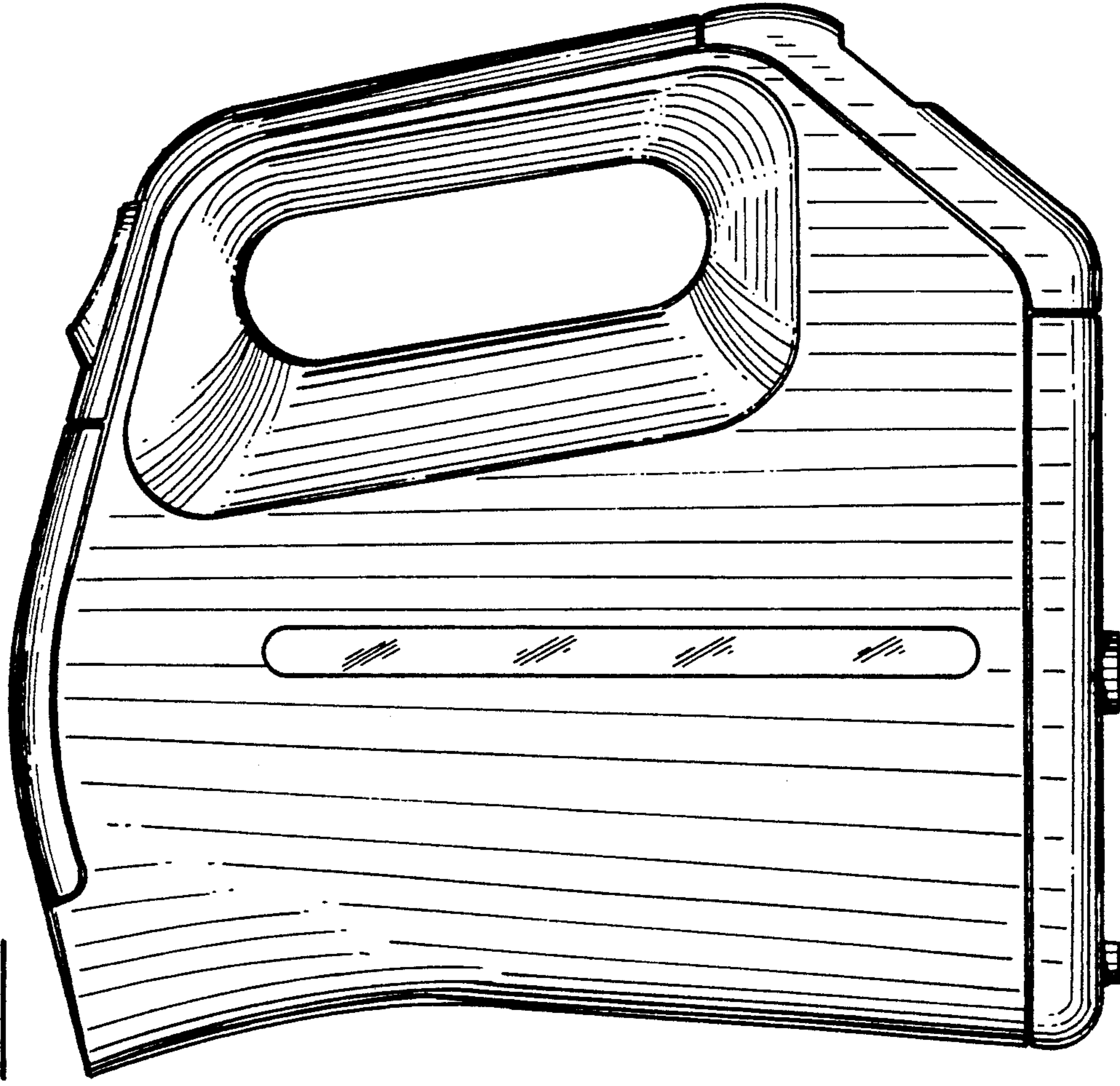


FIG. 2



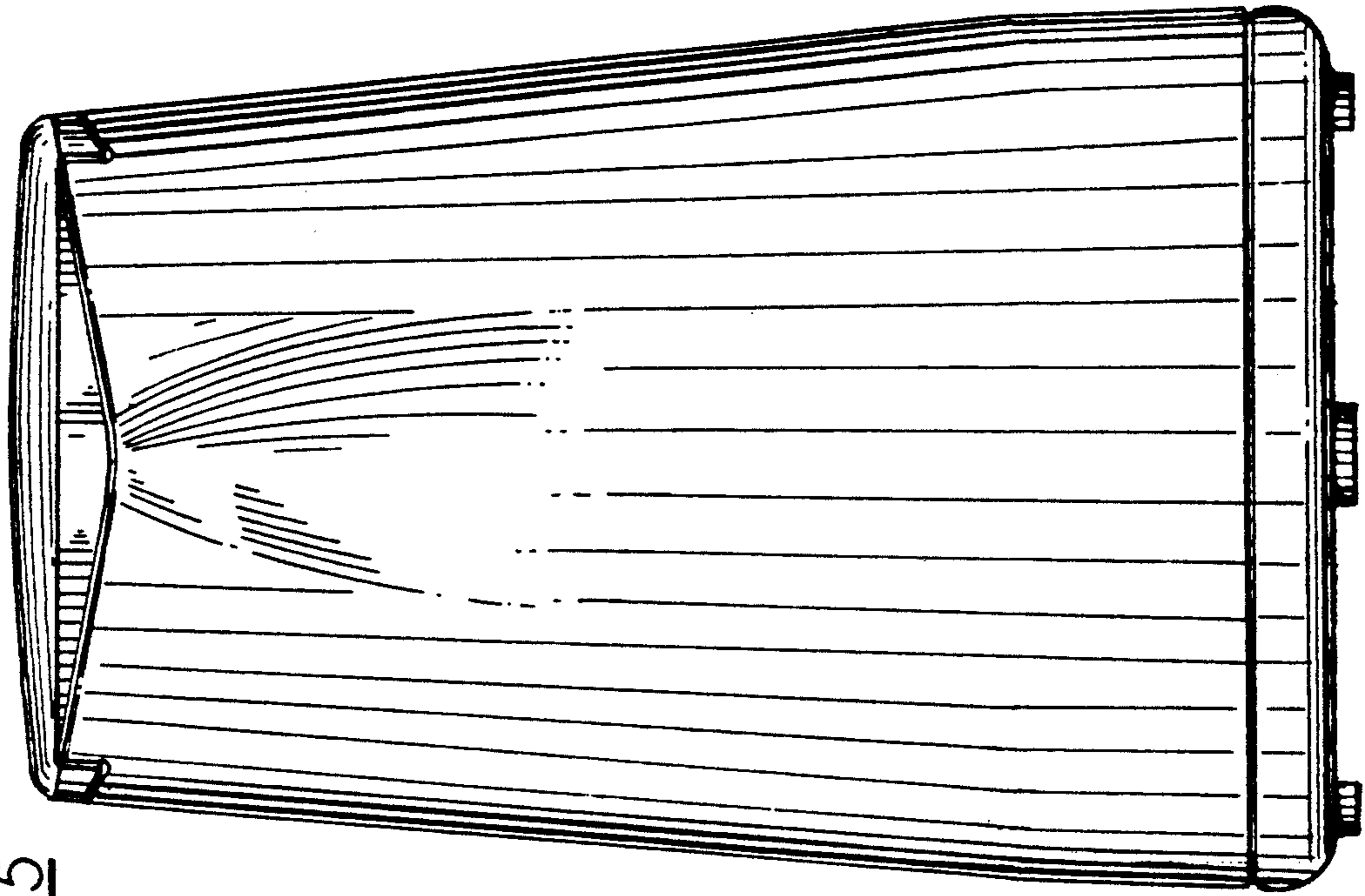


FIG. 5

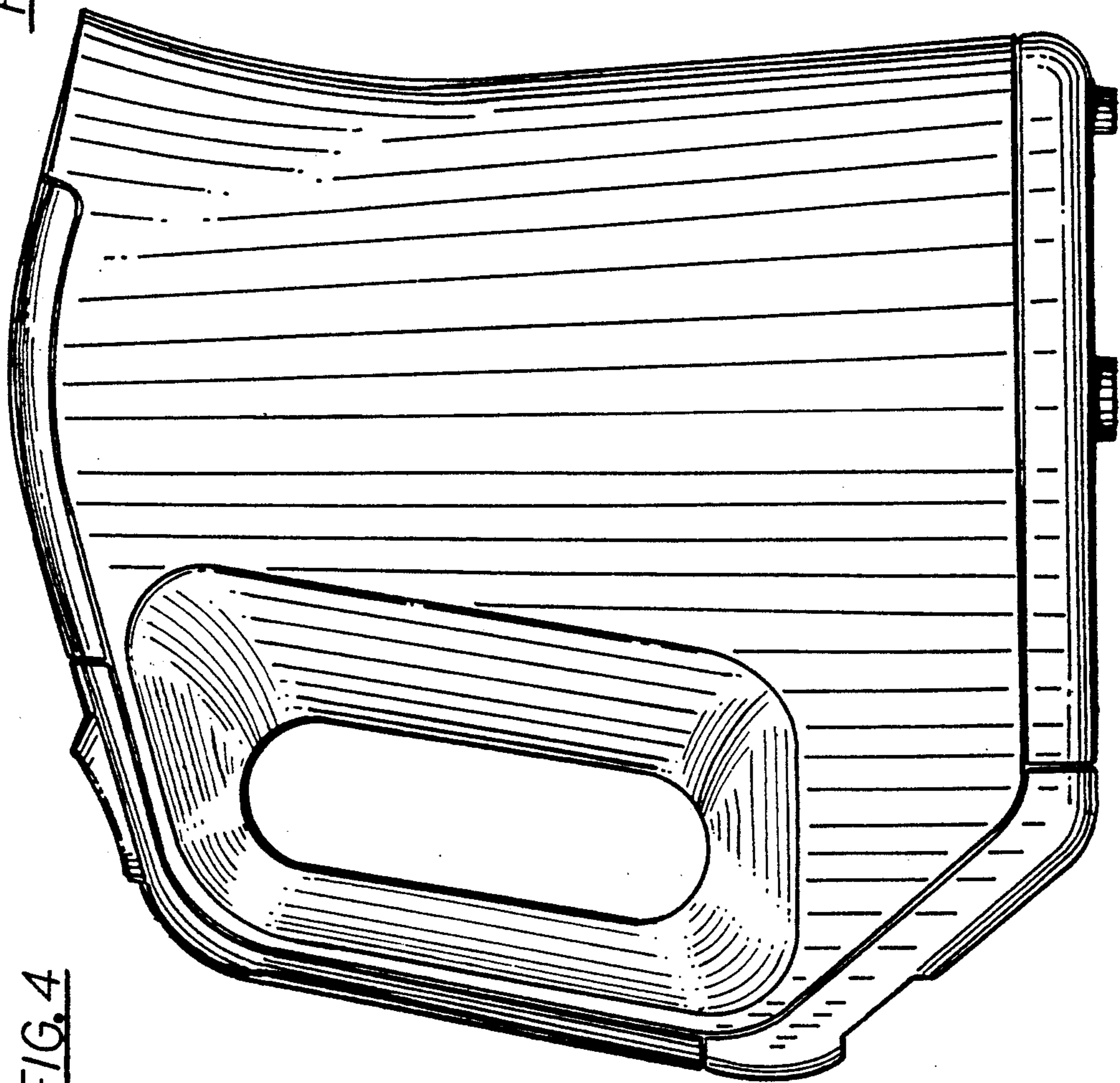


FIG. 4

FIG. 6

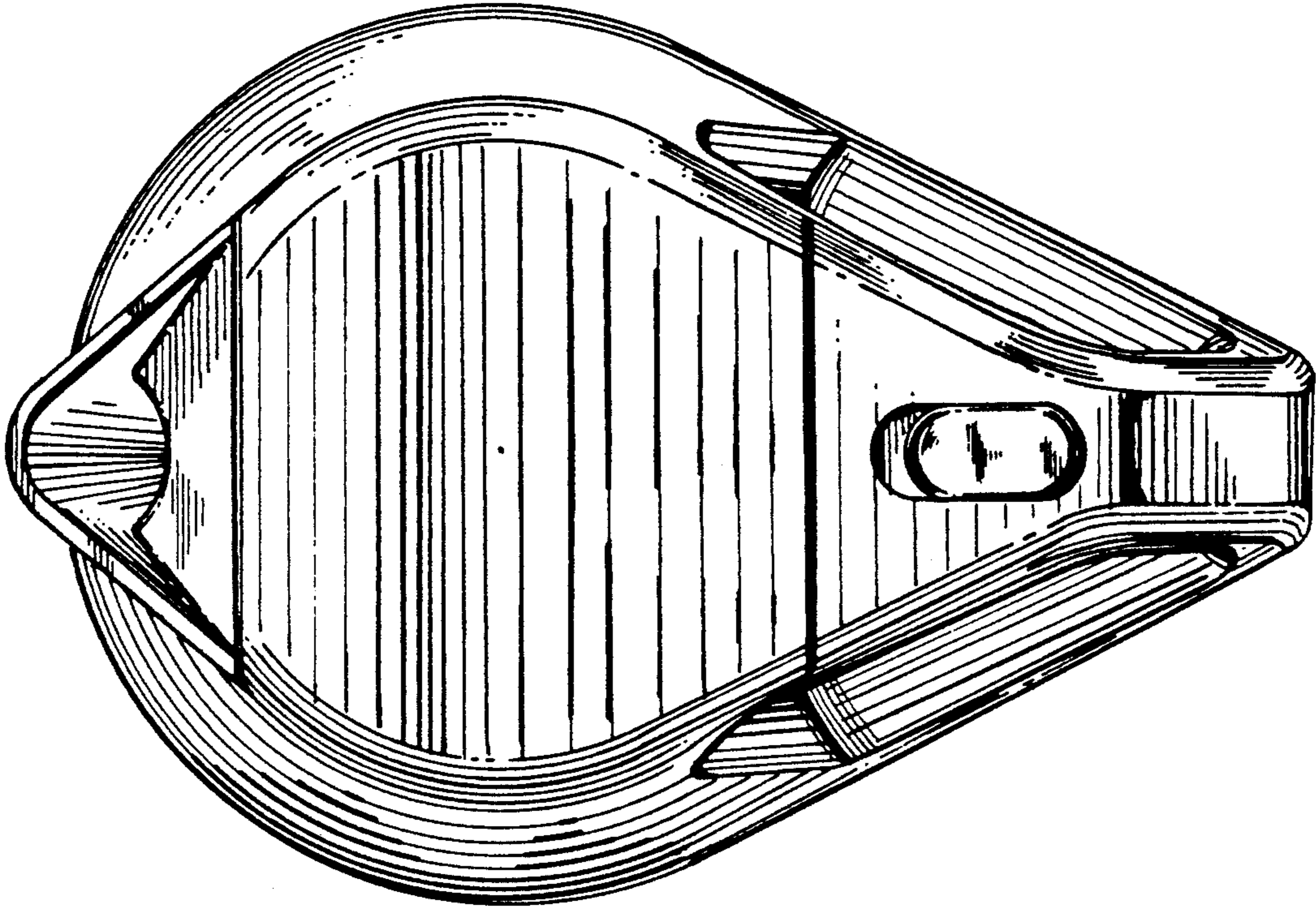


FIG. 7

