



US00D335234S

United States Patent [19]

Alguire

[11] Patent Number: **Des. 335,234**

[45] Date of Patent: **** May 4, 1993**

[54] BICYCLE STORAGE RACK

[56] References Cited

U.S. PATENT DOCUMENTS

[76] Inventor: **John A. D. Alguire**, 1965 Concorde Avenue, Cornwall, Ontario, Canada, K6H 6M3

D. 294,791	3/1988	Loscalzo et al.	D6/569
D. 304,137	10/1989	Handler et al.	D6/569
D. 312,936	12/1990	Lim	D6/552
5,104,083	4/1992	Shannon	248/339

Primary Examiner—Brian N. Vinson
Attorney, Agent, or Firm—Marks & Clerk

[**] Term: **14 Years**

[57] CLAIM

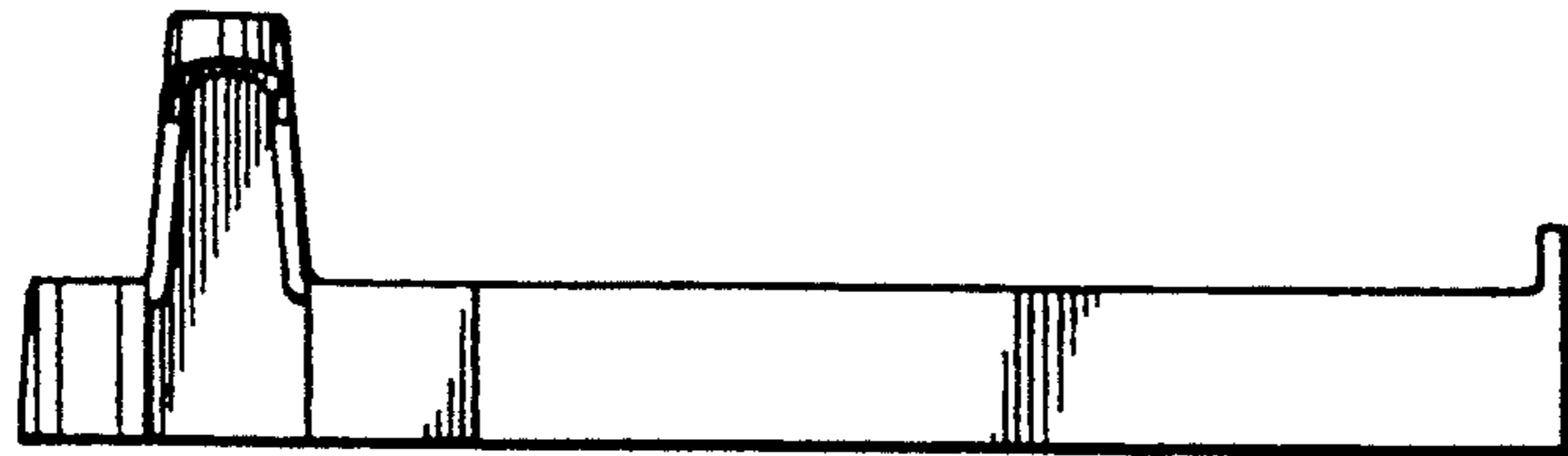
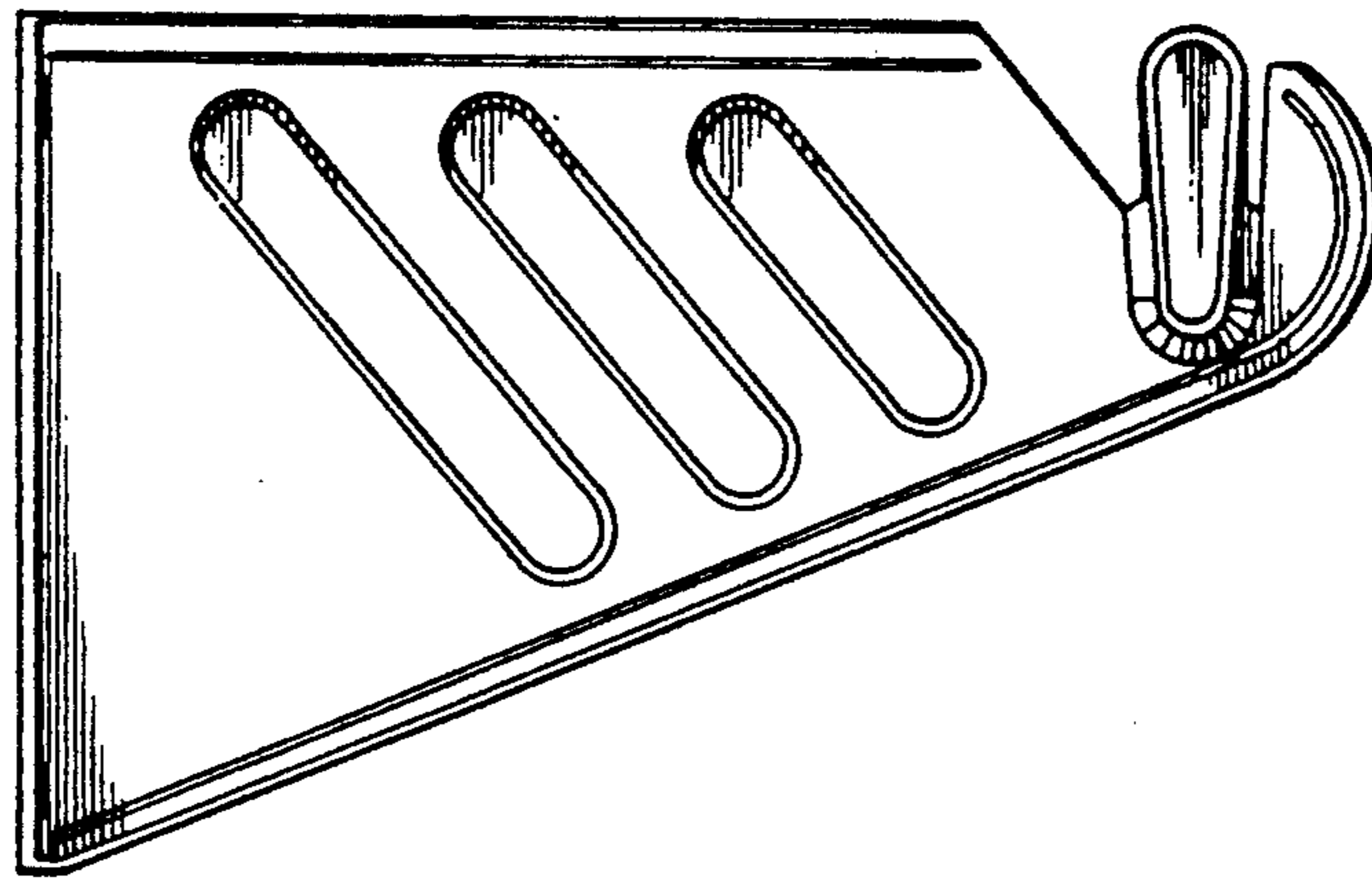
[21] Appl. No.: **748,904**

The ornamental design for a bicycle storage rack or similar article, as shown and described.

DESCRIPTION

[22] Filed: **Aug. 23, 1991**
 [52] U.S. Cl. **D6/552**
 [58] Field of Search D6/512, 546, 567, 552,
 D6/553; D8/354, 363, 367, 373; 248/339, 304,
 309.1, 907; 211/13, 17-20, 60.1, 65-66, 70.6,
 86-87

FIG. 1 is an elevation from one side;
 FIG. 2 is an end view;
 FIG. 3 is a rear end view;
 FIG. 4 is an elevation from the other side;
 FIG. 5 is a top view; and,
 FIG. 6 is an underneath view.



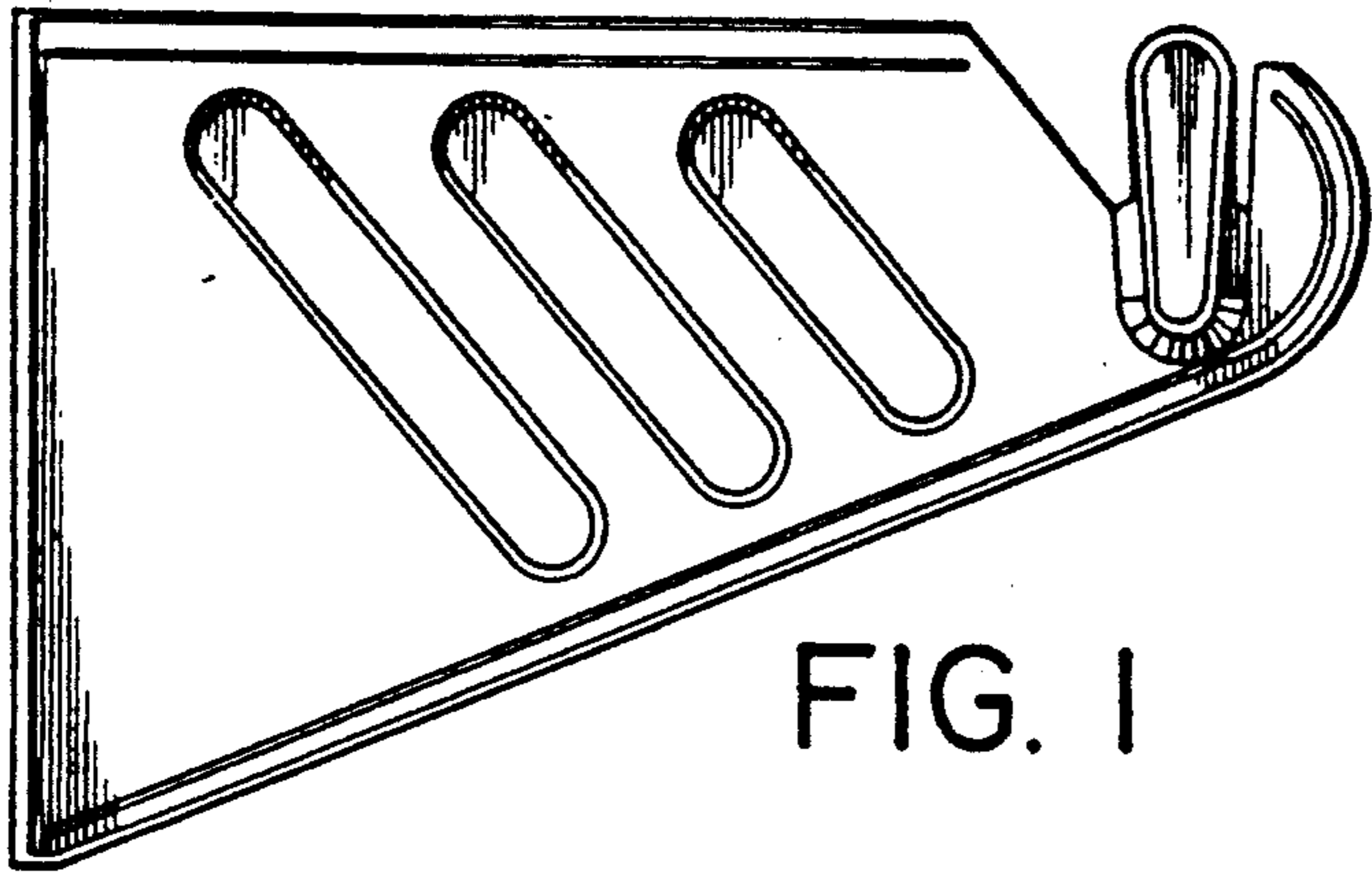


FIG. 1

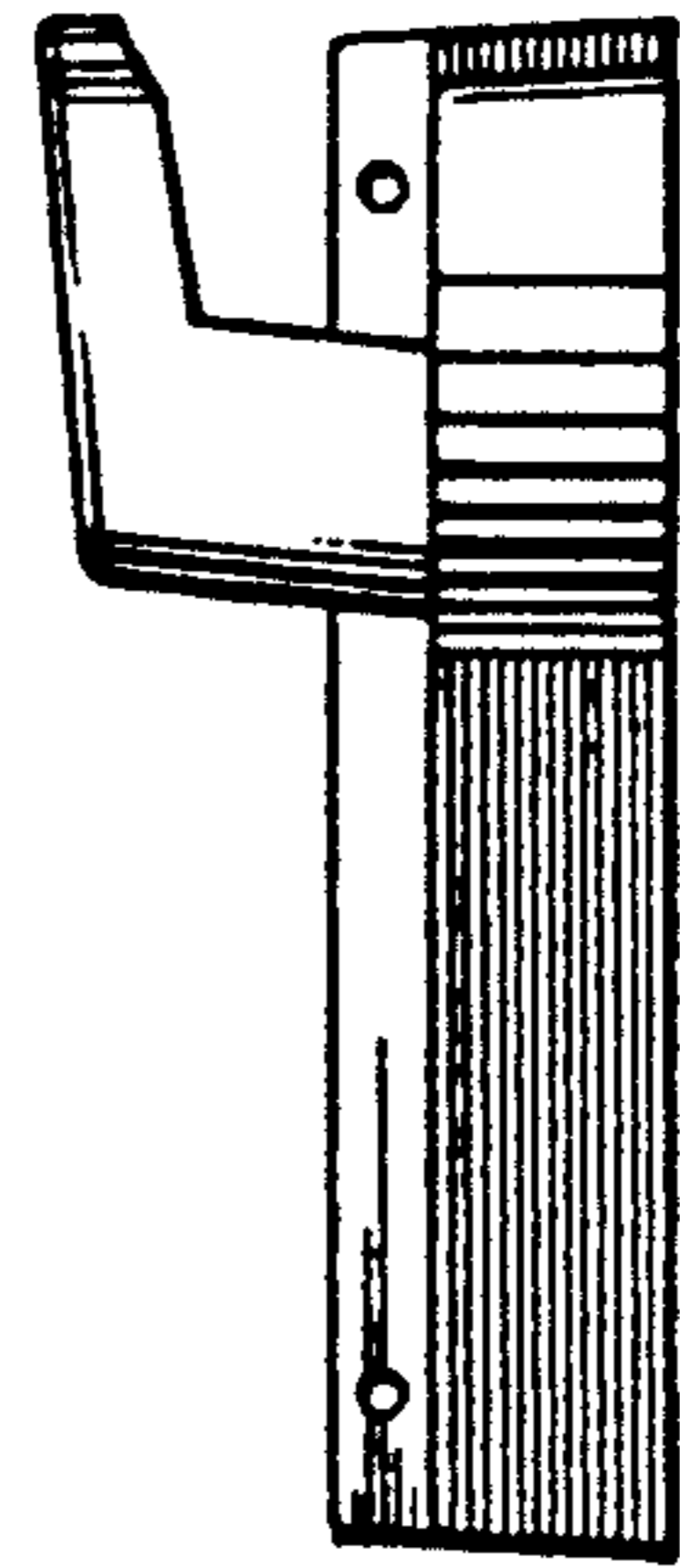


FIG. 2



FIG. 3

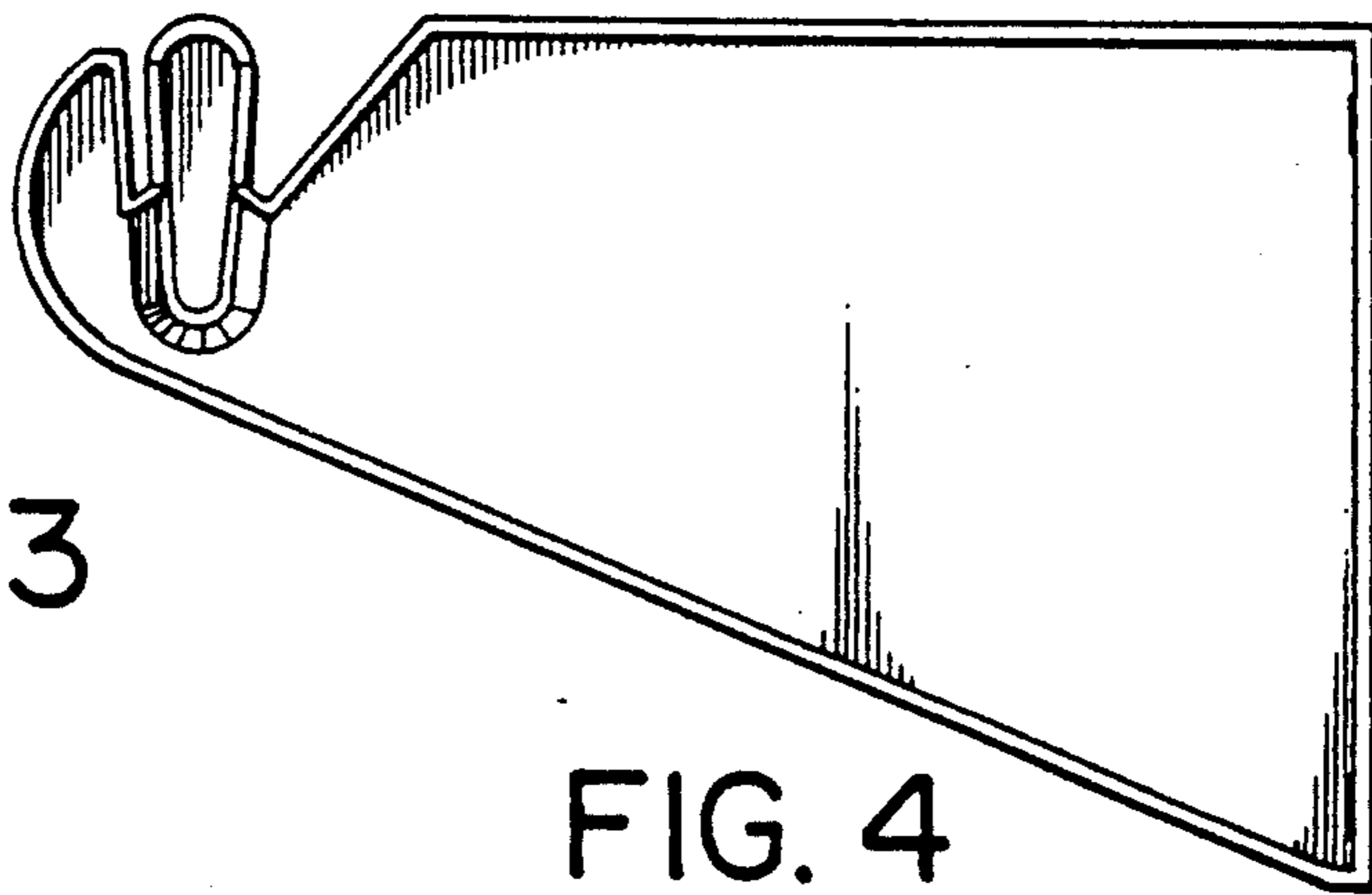


FIG. 4

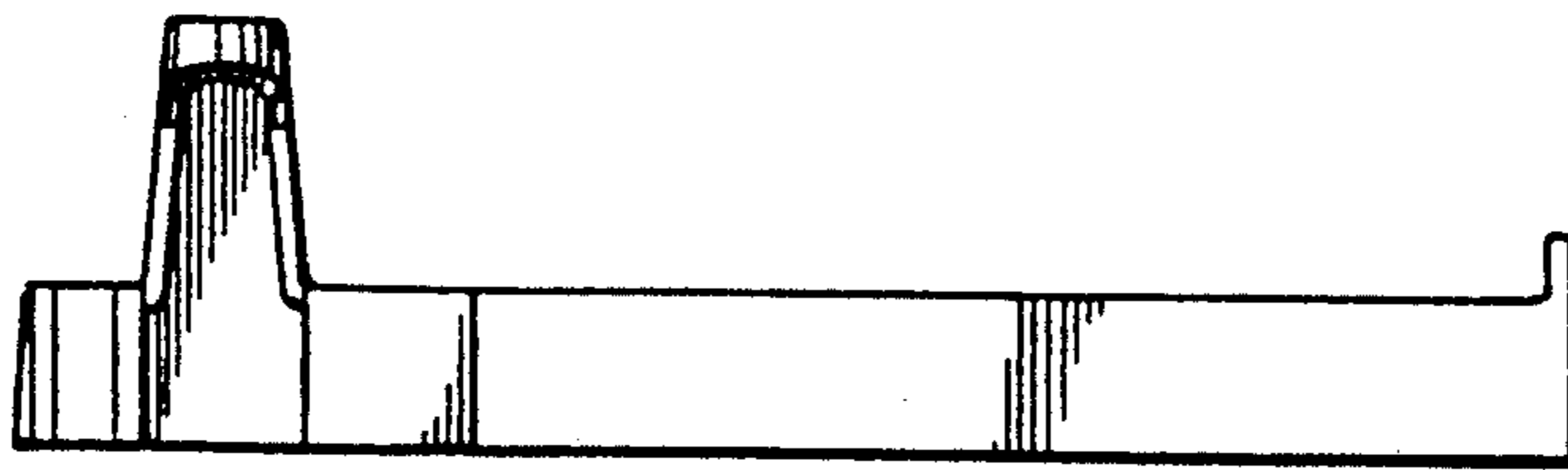


FIG. 5

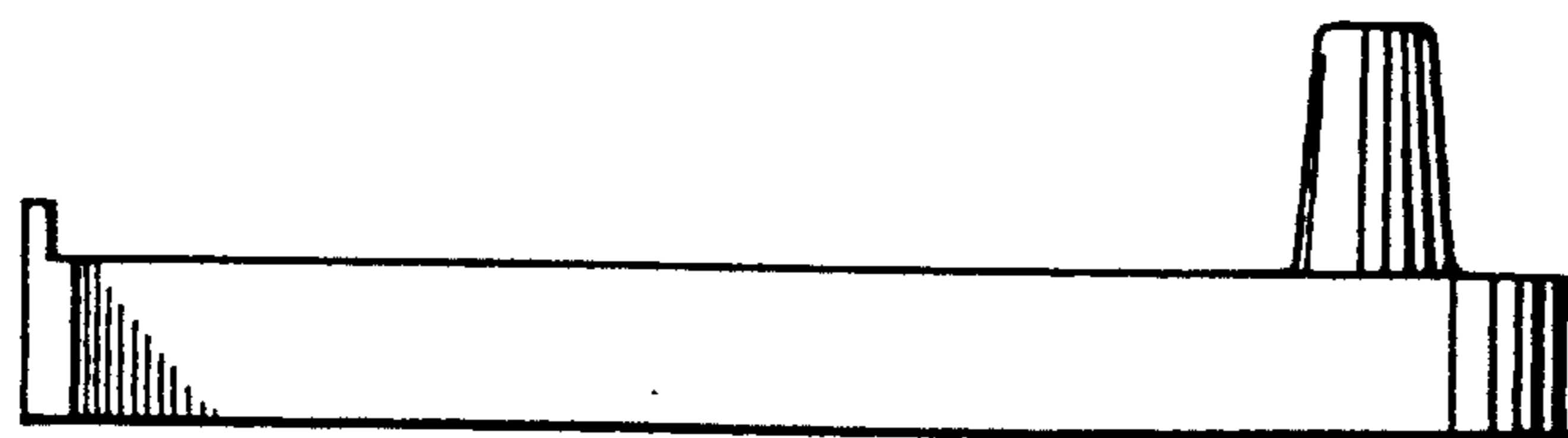


FIG. 6