



US00D335233S

United States Patent [19]
Long

[11] **Patent Number: Des. 335,233**

[45] **Date of Patent: ** May 4, 1993**

[54] **GUN RACK**

4,998,944 3/1991 Lund 211/64 X

[76] **Inventor: Michael Long, P.O. Box 3923, San Angelo, Tex. 76902**

Primary Examiner—Brian N. Vinson
Attorney, Agent, or Firm—Leon Gilden

[**] **Term: 14 Years**

[57] **CLAIM**

[21] **Appl. No.: 555,151**

The ornamental design for a gun rack, as shown and described.

[22] **Filed: Jul. 20, 1990**

[52] **U.S. Cl. D6/552**

DESCRIPTION

[58] **Field of Search D6/512, 552, 396; 211/13, 60.1, 64**

FIG. 1 is a front elevational view of the gun rack showing my new design;

FIG. 2 is a rear elevational view thereof;

FIG. 3 is a left side elevational view thereof;

FIG. 4 is a right side elevational view thereof;

FIG. 5 is a top plan view thereof;

FIG. 6 is a bottom plan view thereof; and,

FIG. 7 is a top, front, and right side perspective view thereof.

[56] **References Cited**

U.S. PATENT DOCUMENTS

3,635,381 1/1972 Hensley 248/302 X
4,696,405 9/1987 Waring 211/64 X
4,986,427 1/1991 Law et al. 211/64

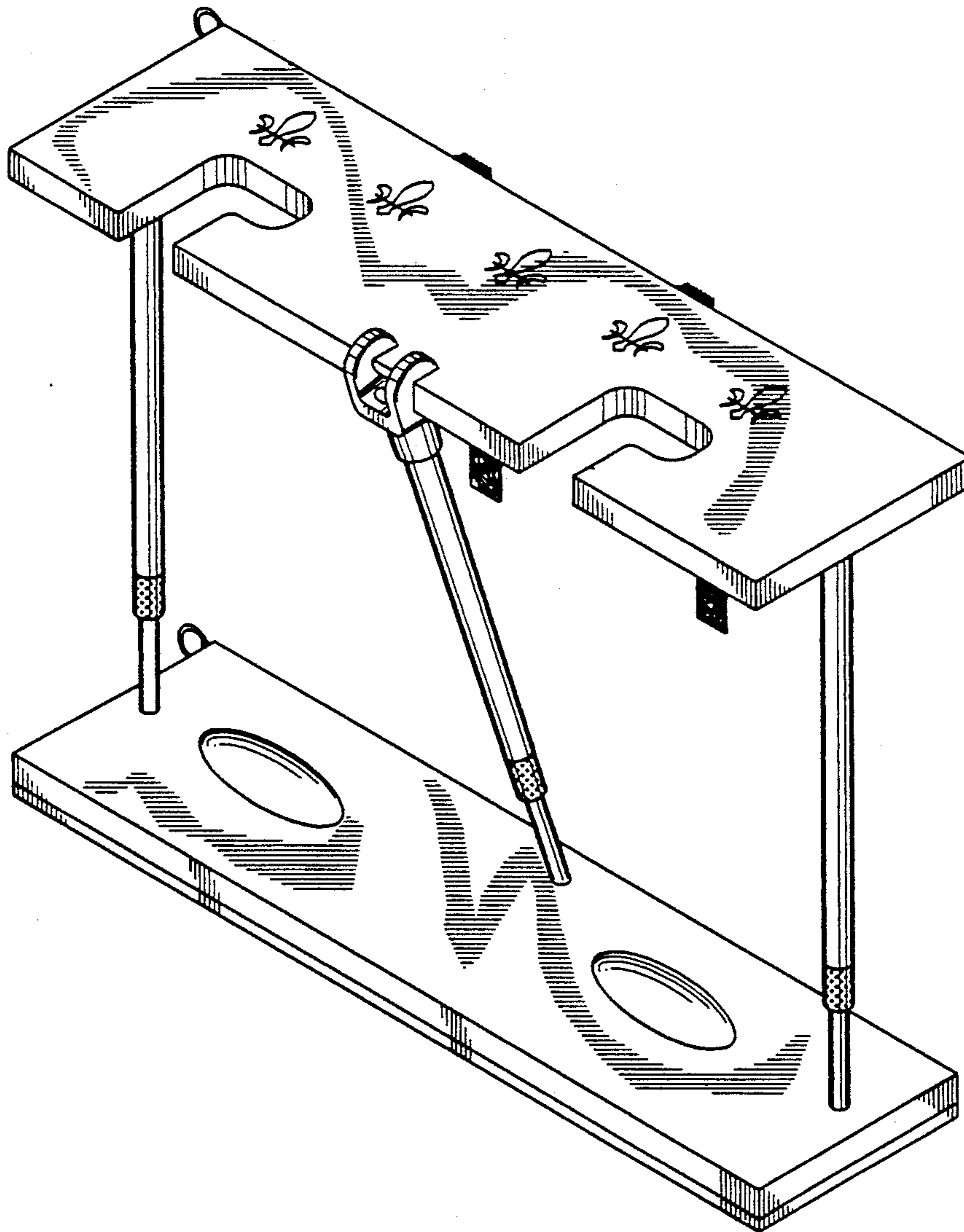


FIG. 1

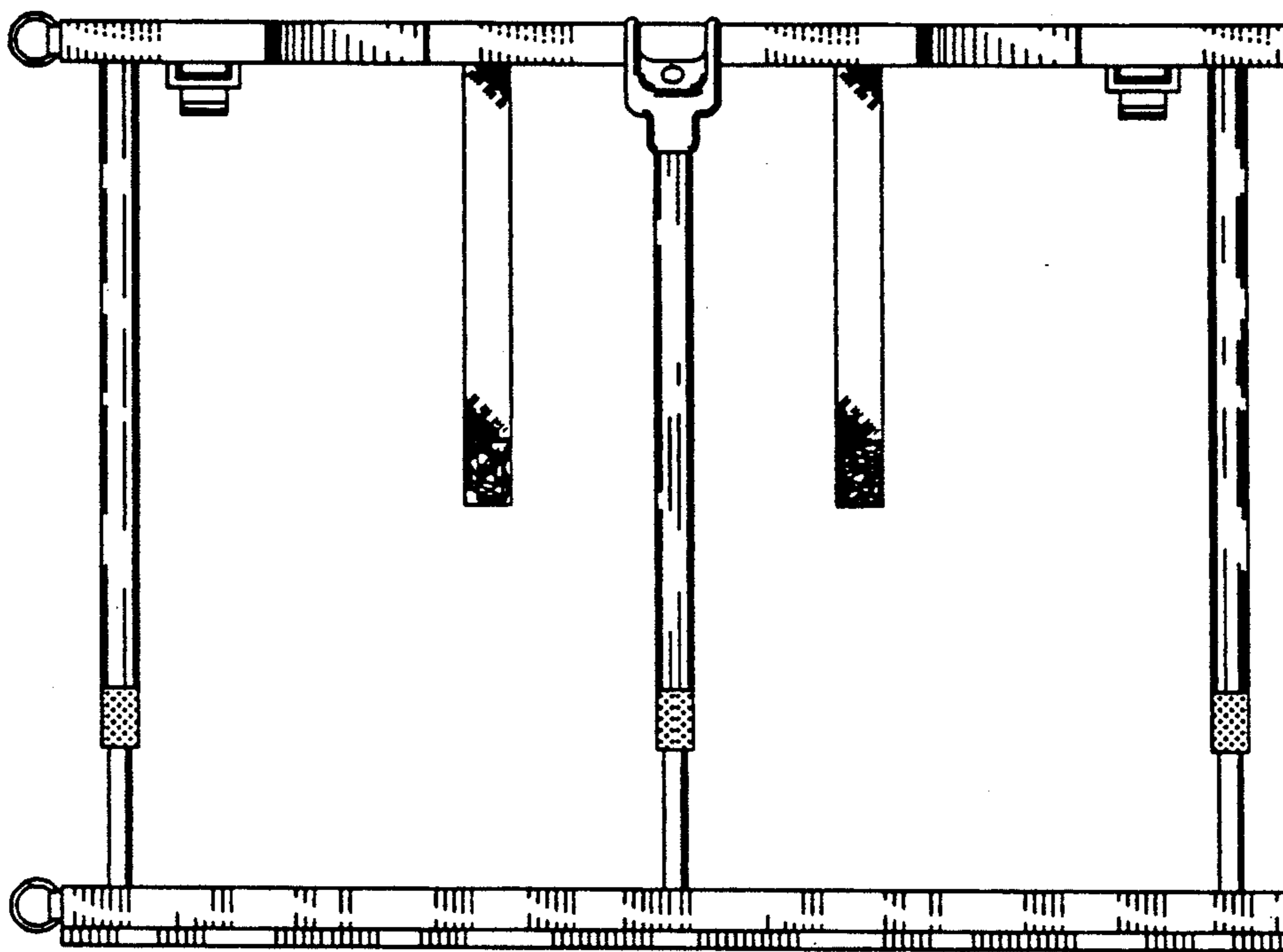


FIG. 2

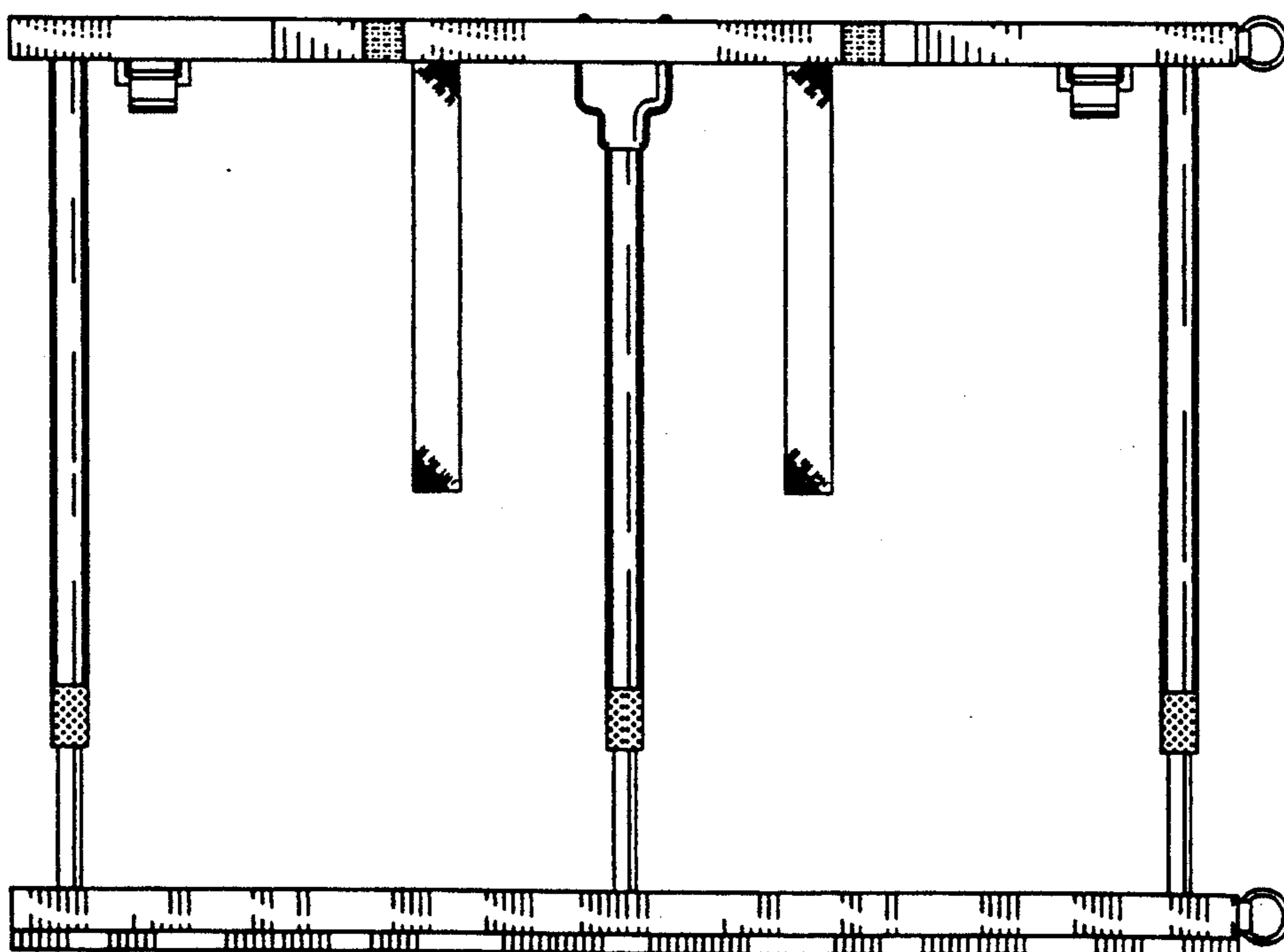


FIG. 3



FIG. 4



FIG. 5

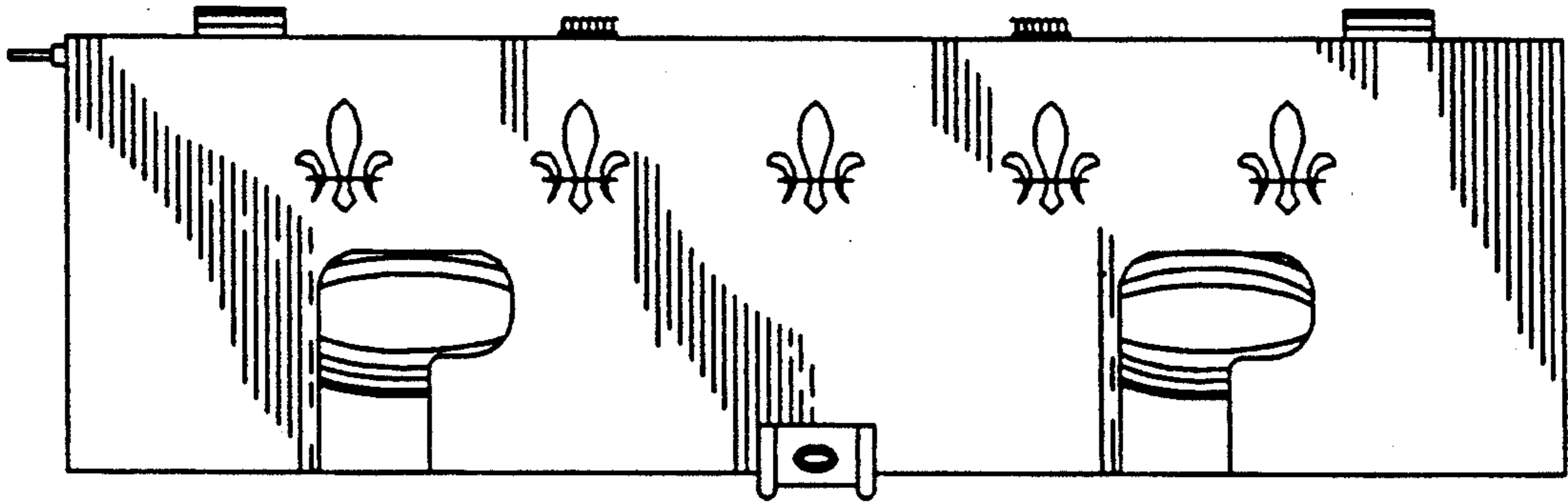


FIG. 6

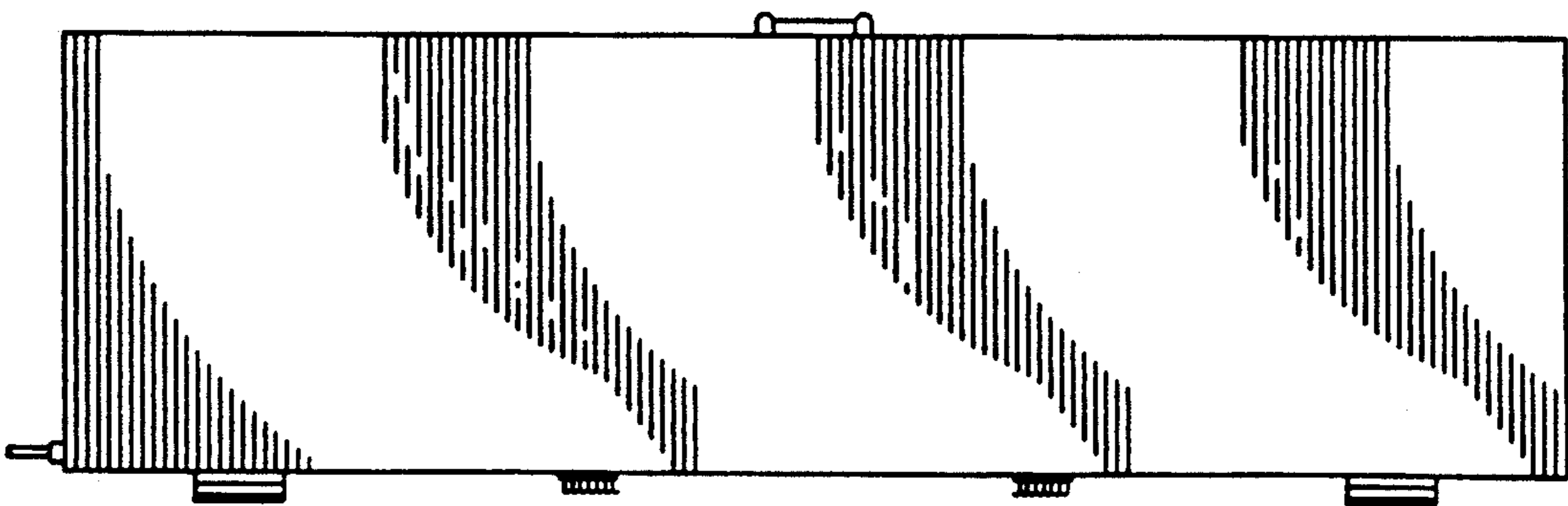


FIG. 7

