



US00D335232S

# United States Patent [19]

Whitlock

[11] Patent Number: **Des. 335,232**

[45] Date of Patent: **\*\* May 4, 1993**

[54] **SHOWER ITEMS RACK**

[76] Inventor: **J. E. Kenneth Whitlock**, 6210 NW.  
31st Ter., Bethany, Okla. 73008-4223

[\*\*] Term: **14 Years**

[21] Appl. No.: **776,737**

[22] Filed: **Oct. 15, 1991**

[52] U.S. Cl. .... **D6/525**

[58] Field of Search ..... **D6/524-525,**  
**D6/527, 532, 513, 574; 4/605, 559, 630; 108/25,**  
**28, 136; 211/13, 71, 70.6, 86, 126, 134**

D. 323,089 1/1992 Koerbel ..... D6/525  
4,398,309 8/1983 Simons ..... 4/605  
4,525,882 7/1985 Sternberg ..... 4/559

*Primary Examiner*—Brian N. Vinson  
*Attorney, Agent, or Firm*—Bill D. McCarthy

## [57] CLAIM

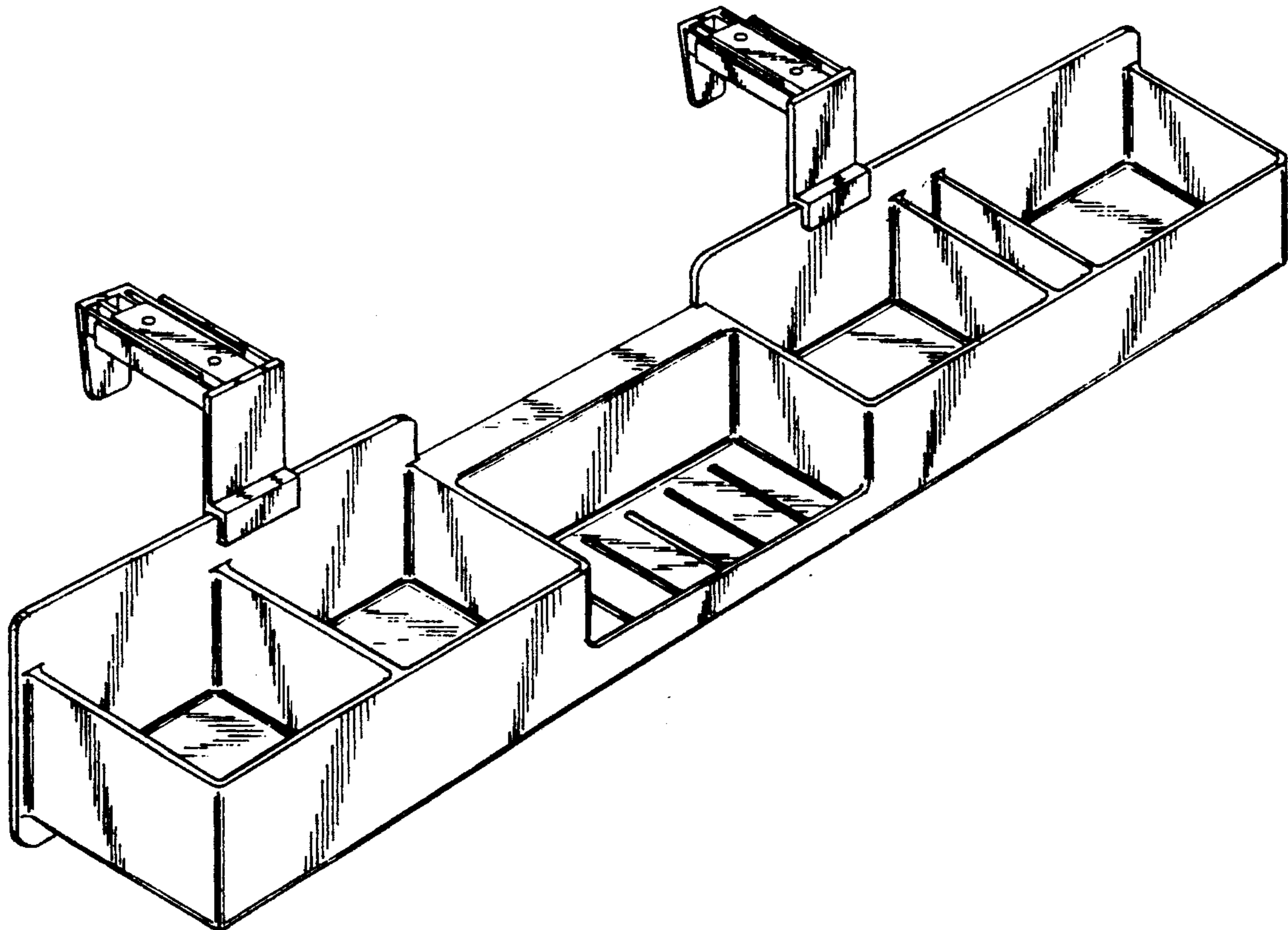
The ornamental design for a shower items rack, as shown and described.

## DESCRIPTION

FIG. 1 is a perspective view of the shower items rack design of the present invention;  
FIG. 2 is an elevational view of one end thereof;  
FIG. 3 is an elevational view of the other end thereof;  
FIG. 4 is a front elevational view thereof;  
FIG. 5 is a rear elevational view thereof;  
FIG. 6 is a top plan view thereof; and,  
FIG. 7 is a bottom plan view thereof.

[56] **References Cited**  
**U.S. PATENT DOCUMENTS**

D. 274,486 7/1984 Thompson ..... D6/525  
D. 286,599 11/1986 Sussman ..... D6/525  
D. 295,479 5/1988 Plaut ..... D6/574  
D. 318,390 7/1991 Murray ..... D6/513



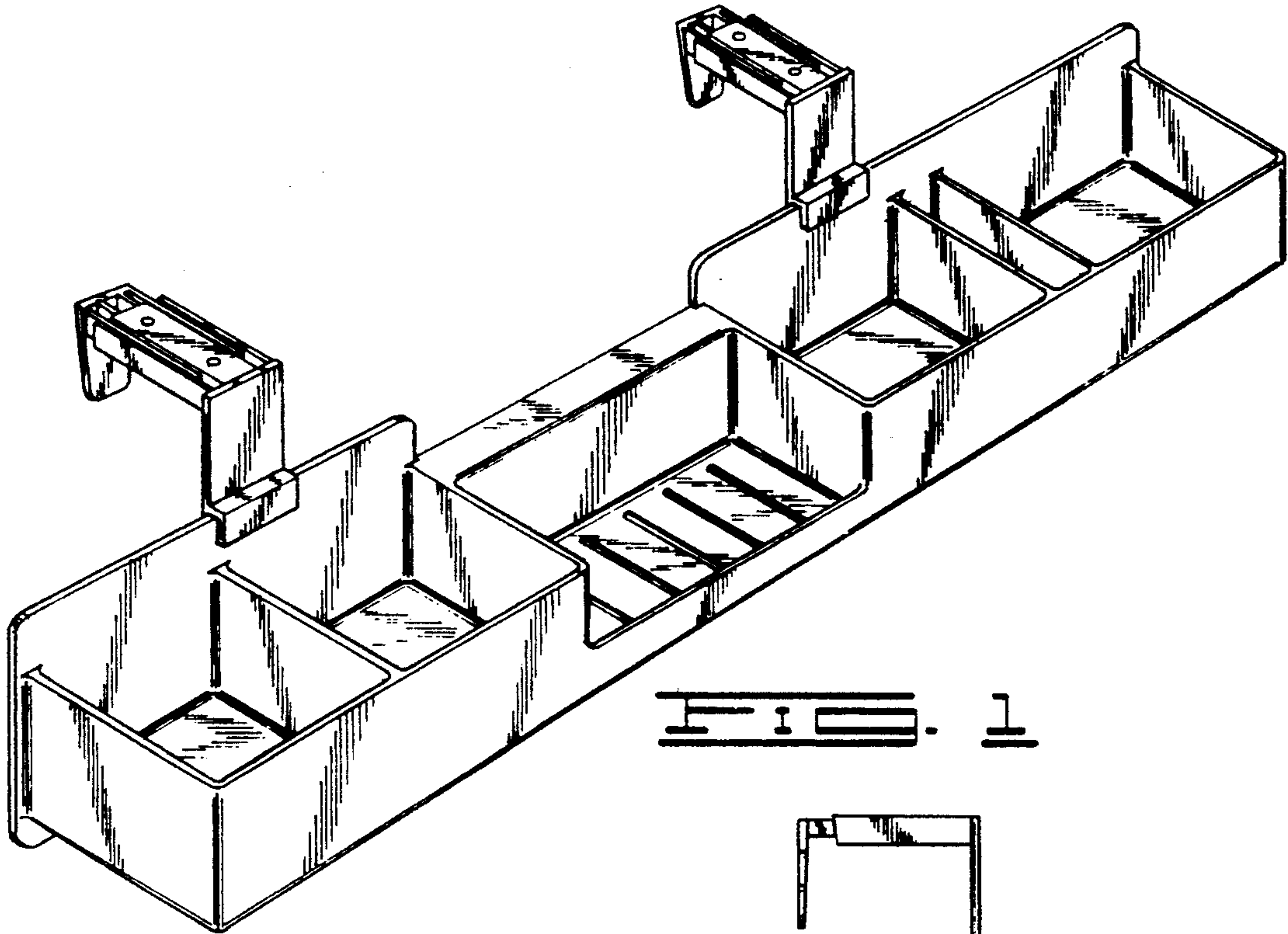


FIG. 1

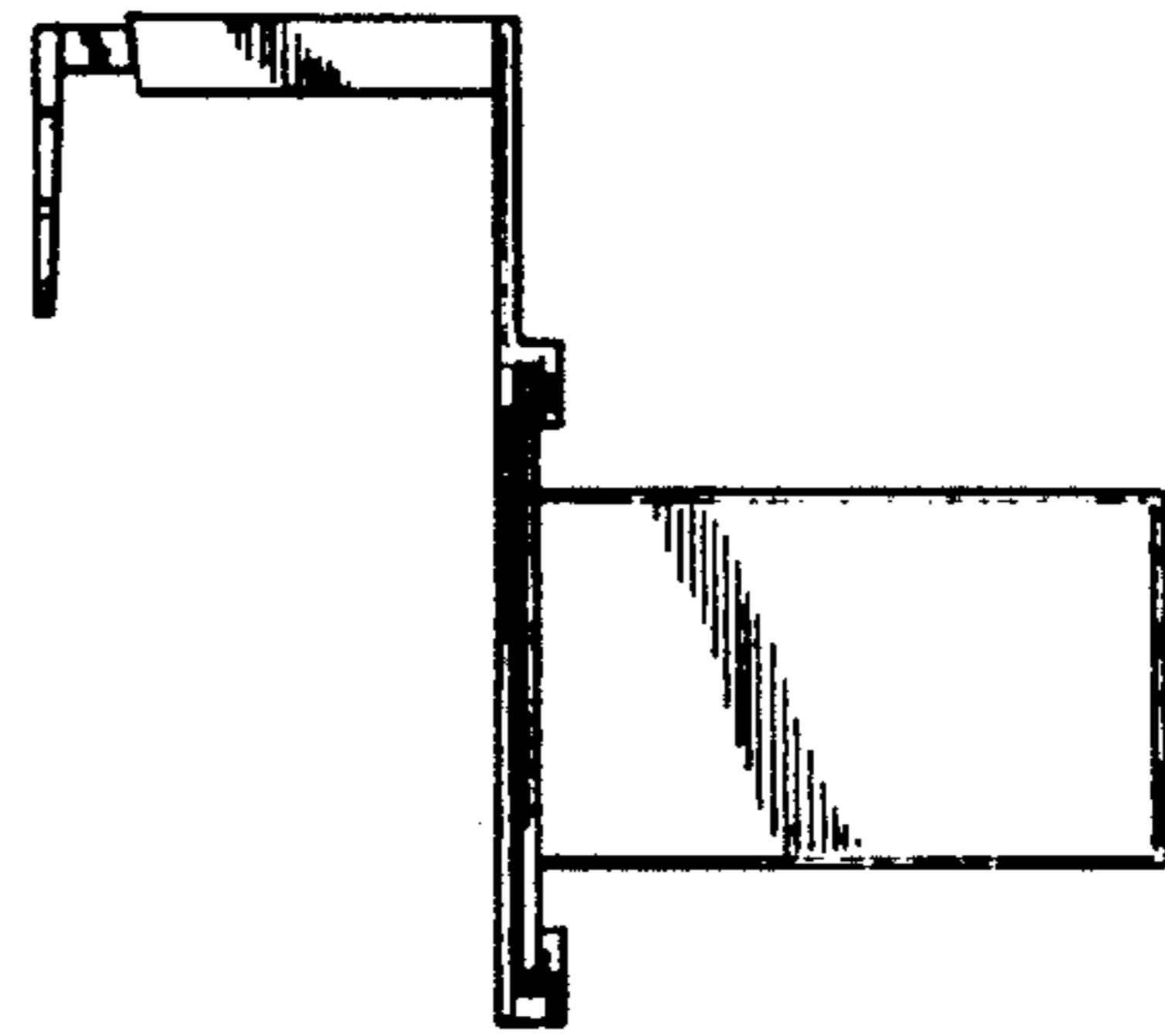


FIG. 2

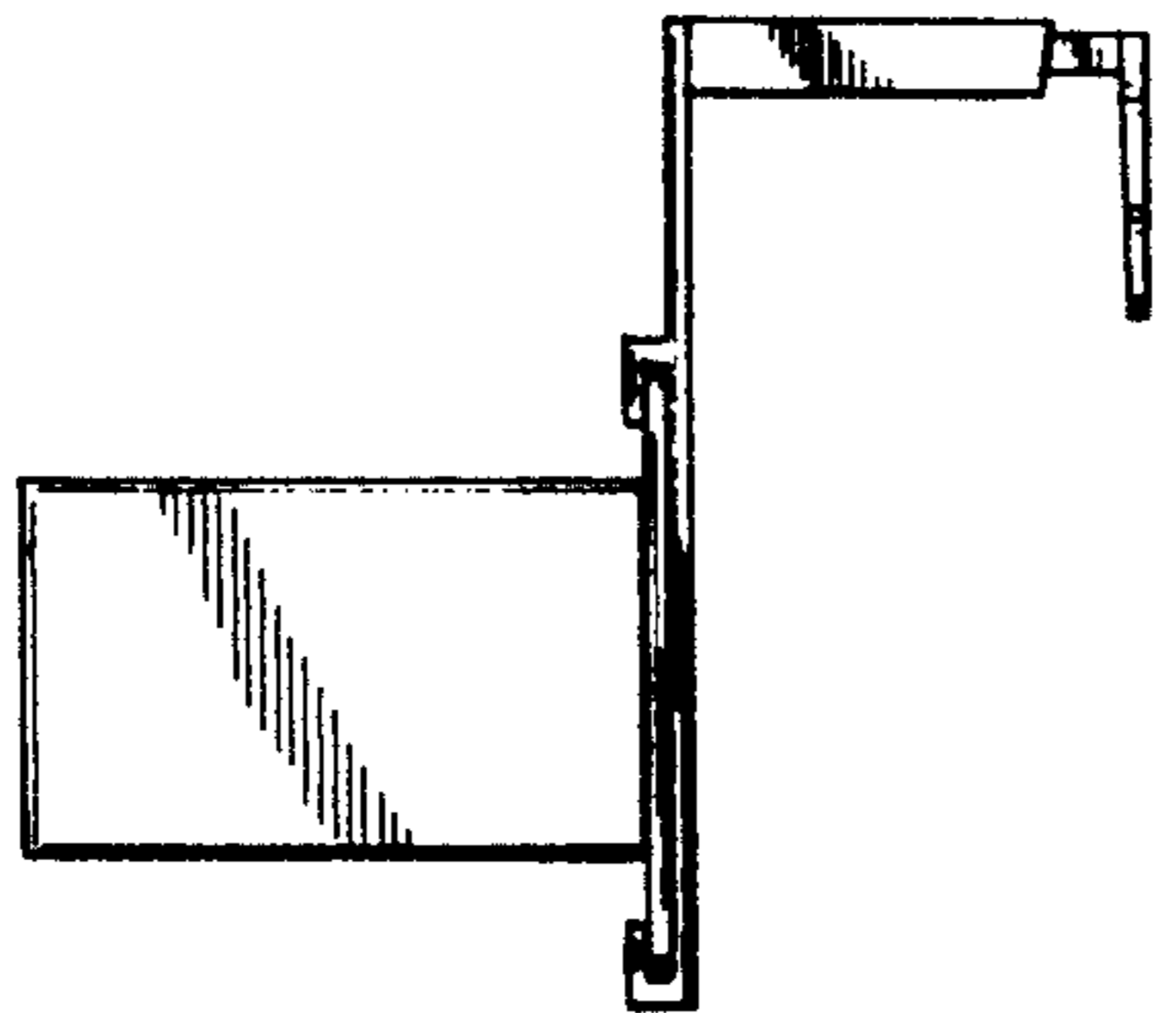


FIG. 3

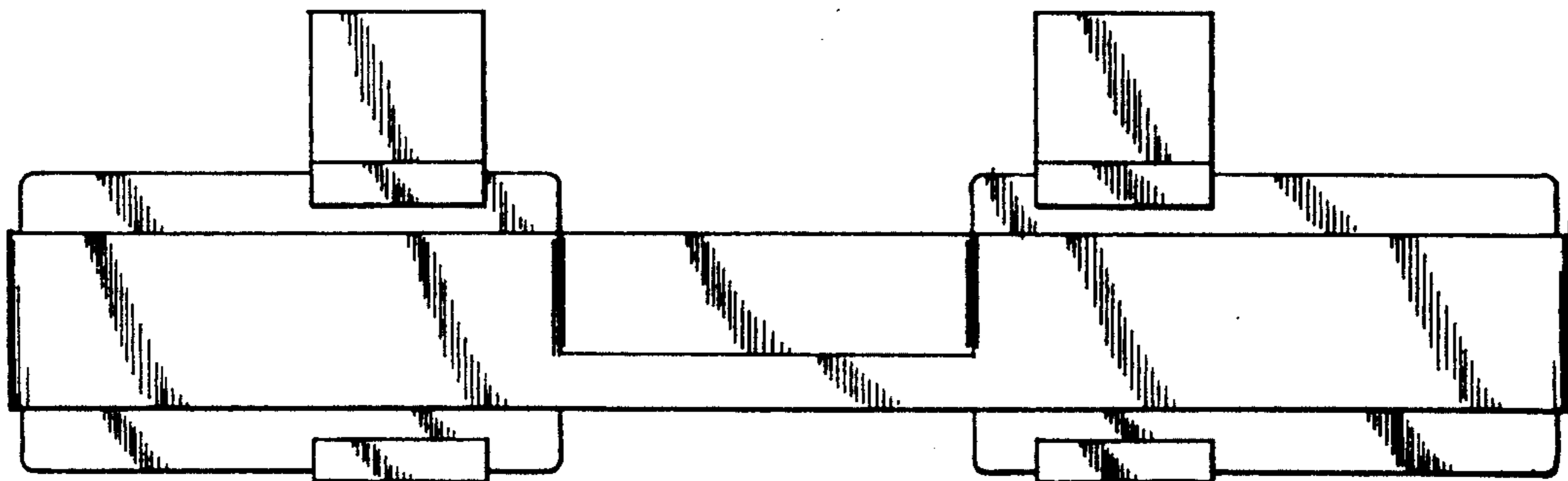


FIG. 4

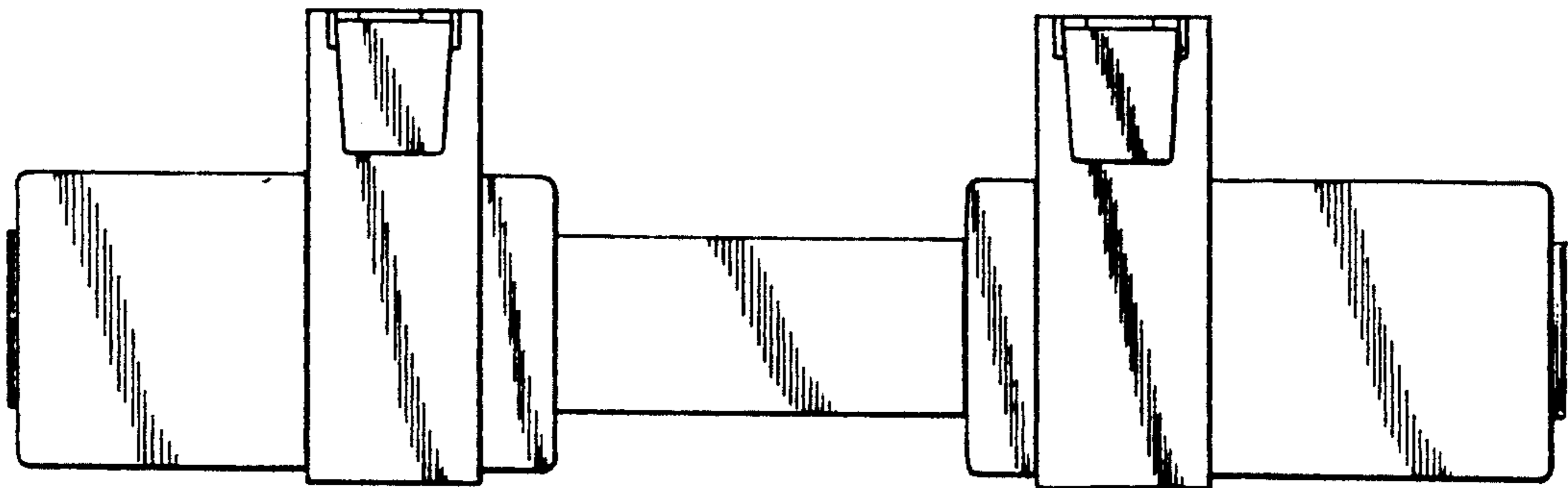


FIG. 1

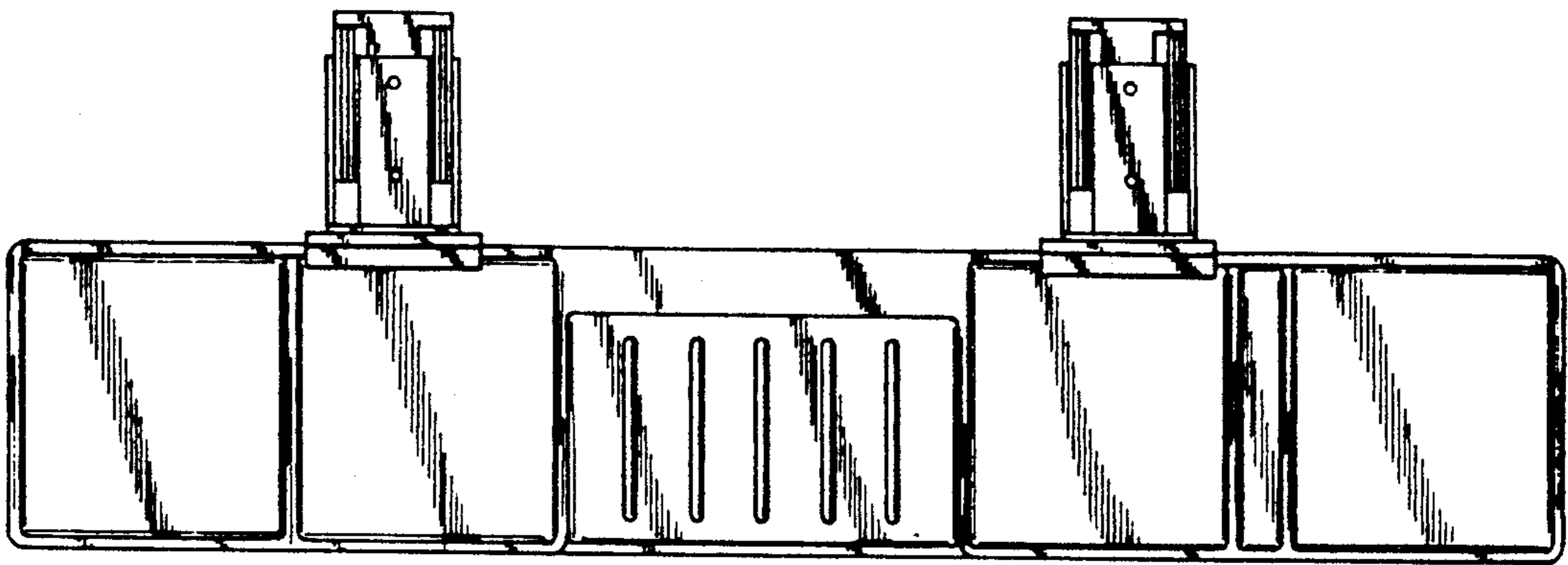


FIG. 2

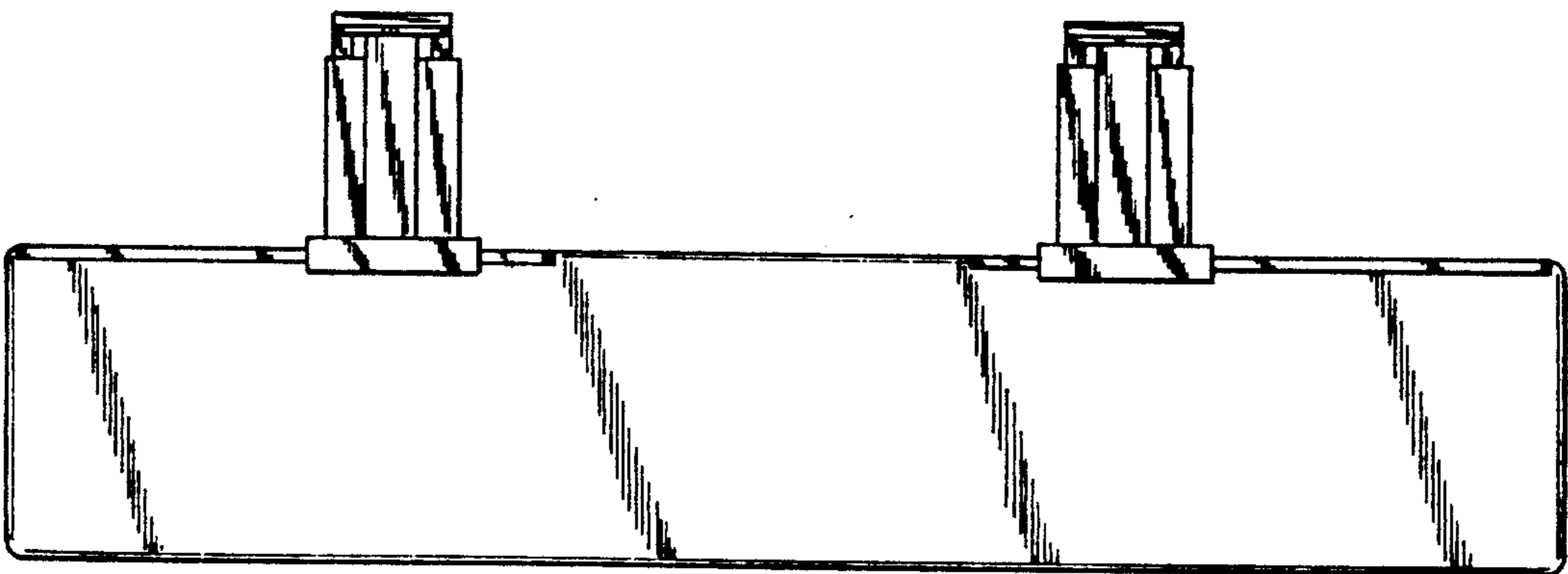


FIG. 3