



US00D335231S

United States Patent [19]

[11] Patent Number: **Des. 335,231**

Bengtson

[45] Date of Patent: **** May 4, 1993**

[54] **BRACKET SUPPORT FOR AN ACCESSORY**

[75] Inventor: **Alan D. Bengtson, Sheboygan, Wis.**

[73] Assignee: **Kohler Co., Kohler, Wis.**

[**] Term: **14 Years**

[21] Appl. No.: **954,854**

[22] Filed: **Sep. 30, 1992**

Related U.S. Application Data

[62] Division of Ser. No. 639,953, Jan. 11, 1991.

[52] U.S. Cl. **D6/524; D6/512; D8/380**

[58] Field of Search **D6/524, 527, 534, 536, D6/552-553; D8/349, 354, 380-381; 4/661; 211/13, 86-87, 88-90, 126, 134; 248/235, 304, 309.1, 312, 235, 250**

[56] **References Cited**

U.S. PATENT DOCUMENTS

D. 287,569	1/1987	Shepard	D6/381
D. 317,692	6/1991	Wang	D6/524 X
D. 329,559	9/1992	Paul	D6/524
2,215,331	9/1940	Marsh	D6/550 X
4,385,565	5/1983	Roberts et al.	248/235

OTHER PUBLICATIONS

Page from a 1989 Kohler catalog showing the "Taboret" handle.

Page from a 1989 Bathroom Jewelry catalog showing the BA Series fittings.

A Keuco ad entitled "Je schlichter . . .", undated, admitted prior art.

A Kohler advertisement entitled "Alterna Series" with two drawings of Alterna fittings, both undated, both admitted prior art.

A page from a Keuco catalog entitled "Die Collection . . .", undated, admitted prior art.

A Kohler Co. ad showing the "Cygnet" line, undated admitted prior art.

A two page 1985 Kallista advertisement entitled "Prestige Series".

Page 2-27 from a Kohler catalog showing the "Antique" line of fittings, undated, admitted prior art.

A Baldwin ad showing the Dallas fittings, undated, admitted prior art.

Page 2-14 of a Kohler catalog showing the Cygnet line, undated, admitted prior art.

A page from a Baldwin catalog showing the Palm Springs fittings, undated, admitted prior art.

A page from 1990 Jacob Delafon catalog, admitted prior art.

A Bradley advertisement entitled Brass Accessories, undated, admitted prior art.

A Keuco ad showing the 9200 series of fittings, undated, admitted prior art.

Primary Examiner—Brian N. Vinson

Attorney, Agent, or Firm—Quarles & Brady

[57] **CLAIM**

The ornamental design for a bracket support for an accessory, as shown and described.

DESCRIPTION

FIG. 1 is a perspective view taken from the top, front and left side of a bracket support for an accessory showing my new design;

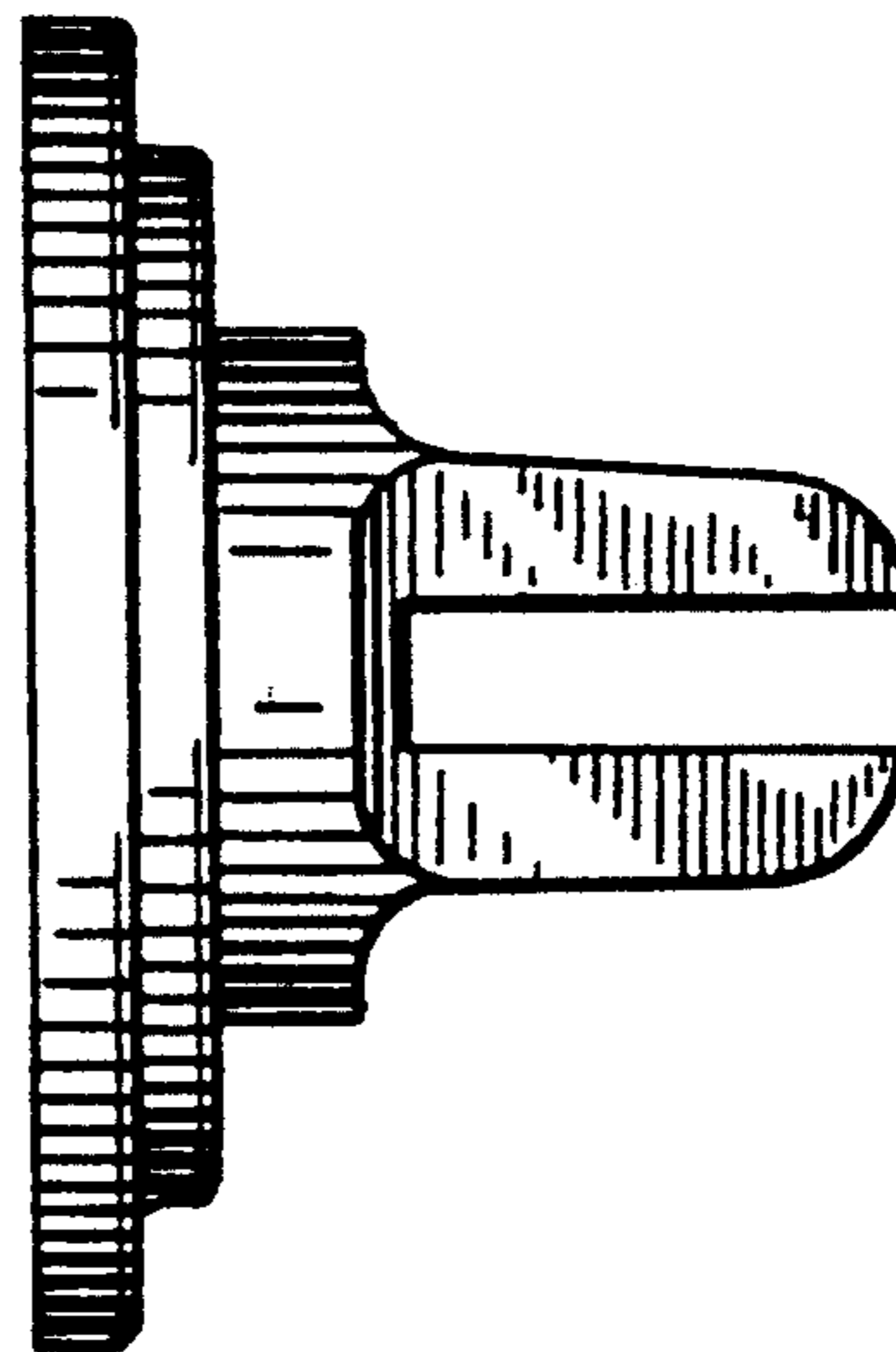
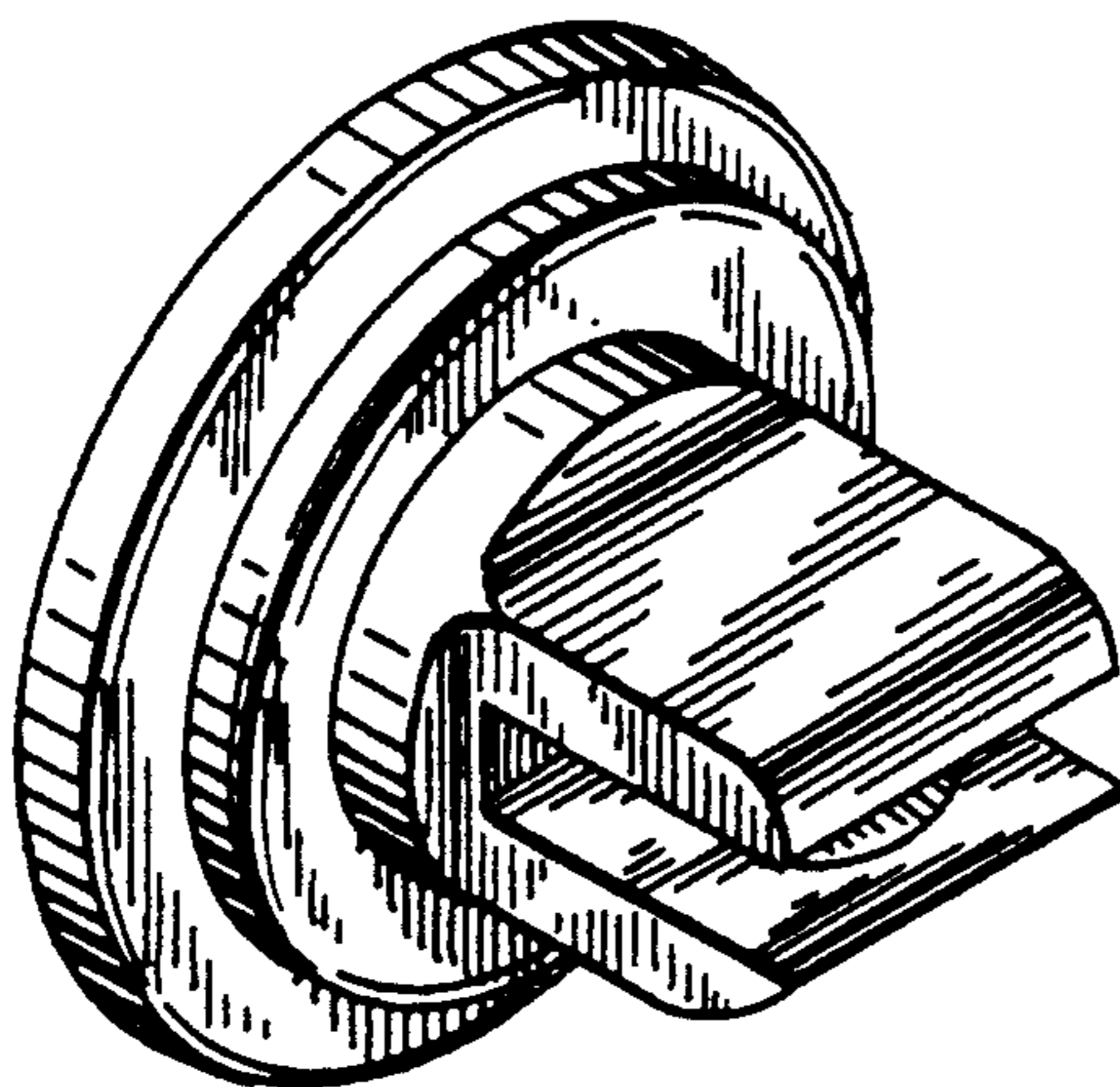
FIG. 2 is a front elevational view thereof;

FIG. 3 is a left side elevational view thereof, the right side being the mirror image of the left side shown;

FIG. 4 is a top plan view thereof;

FIG. 5 is a bottom plan view thereof; and,

FIG. 6 is a cross-sectional view taken on line 6-6 of FIG. 4.



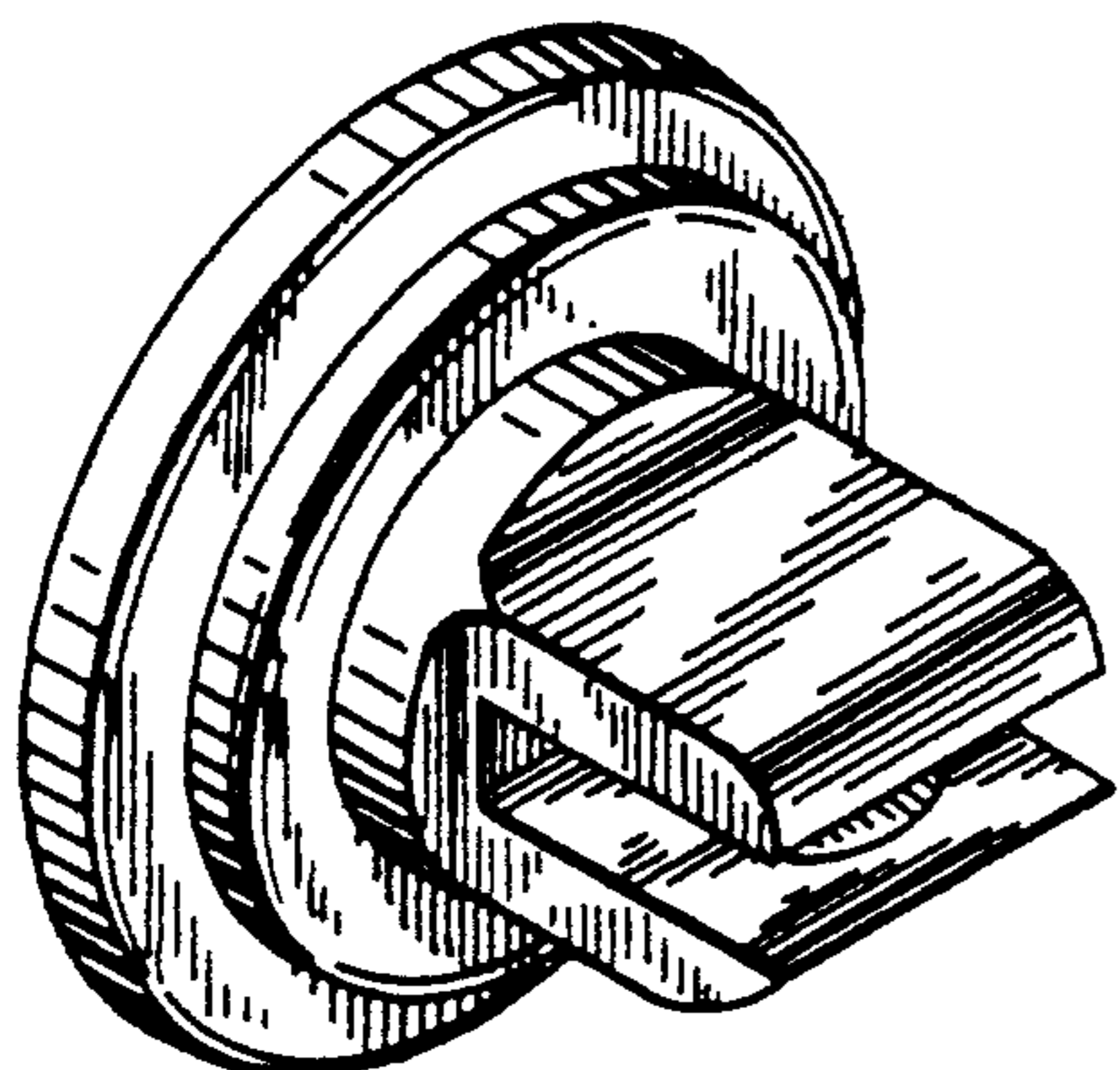


FIG. 1

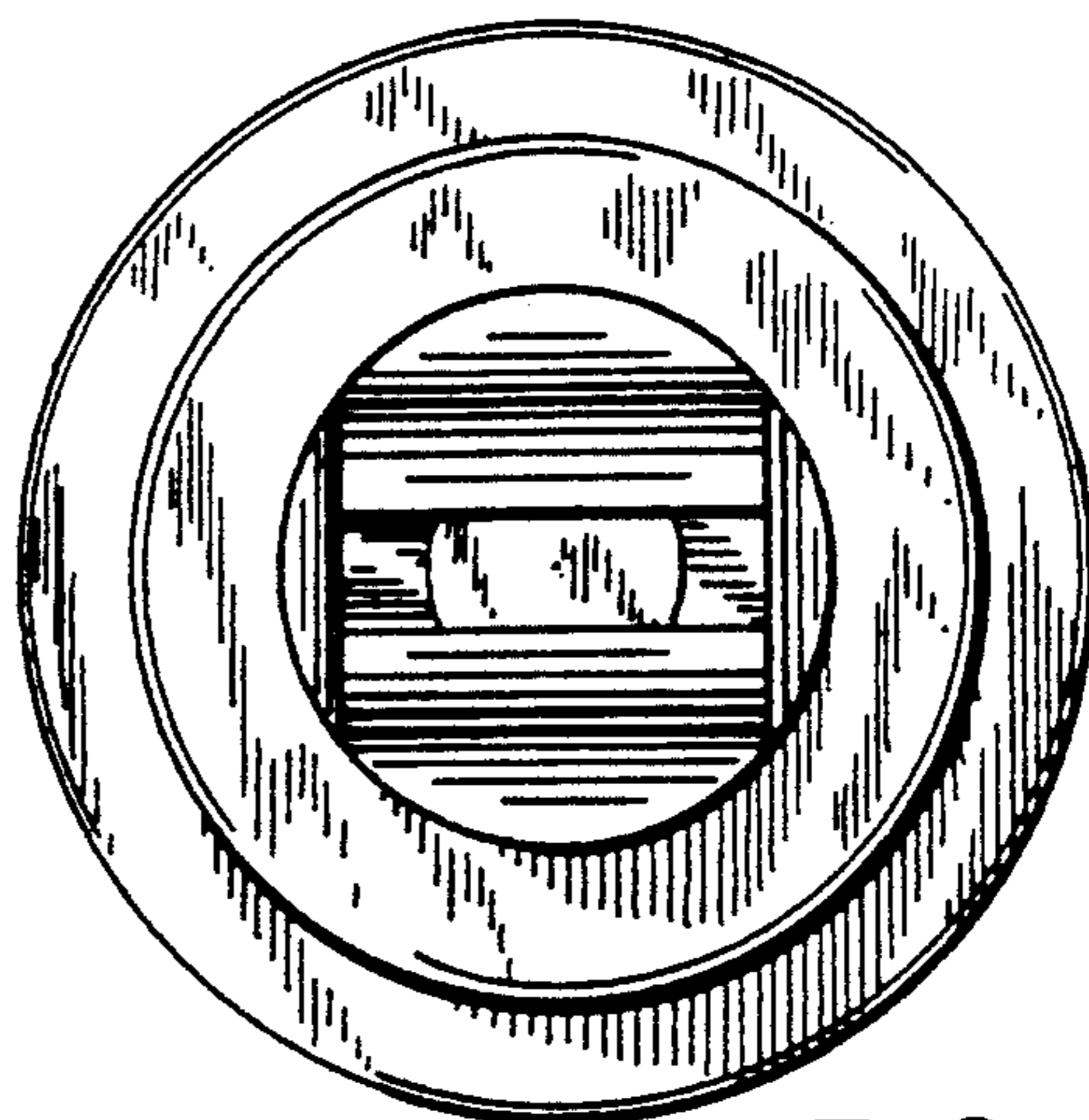


FIG. 2

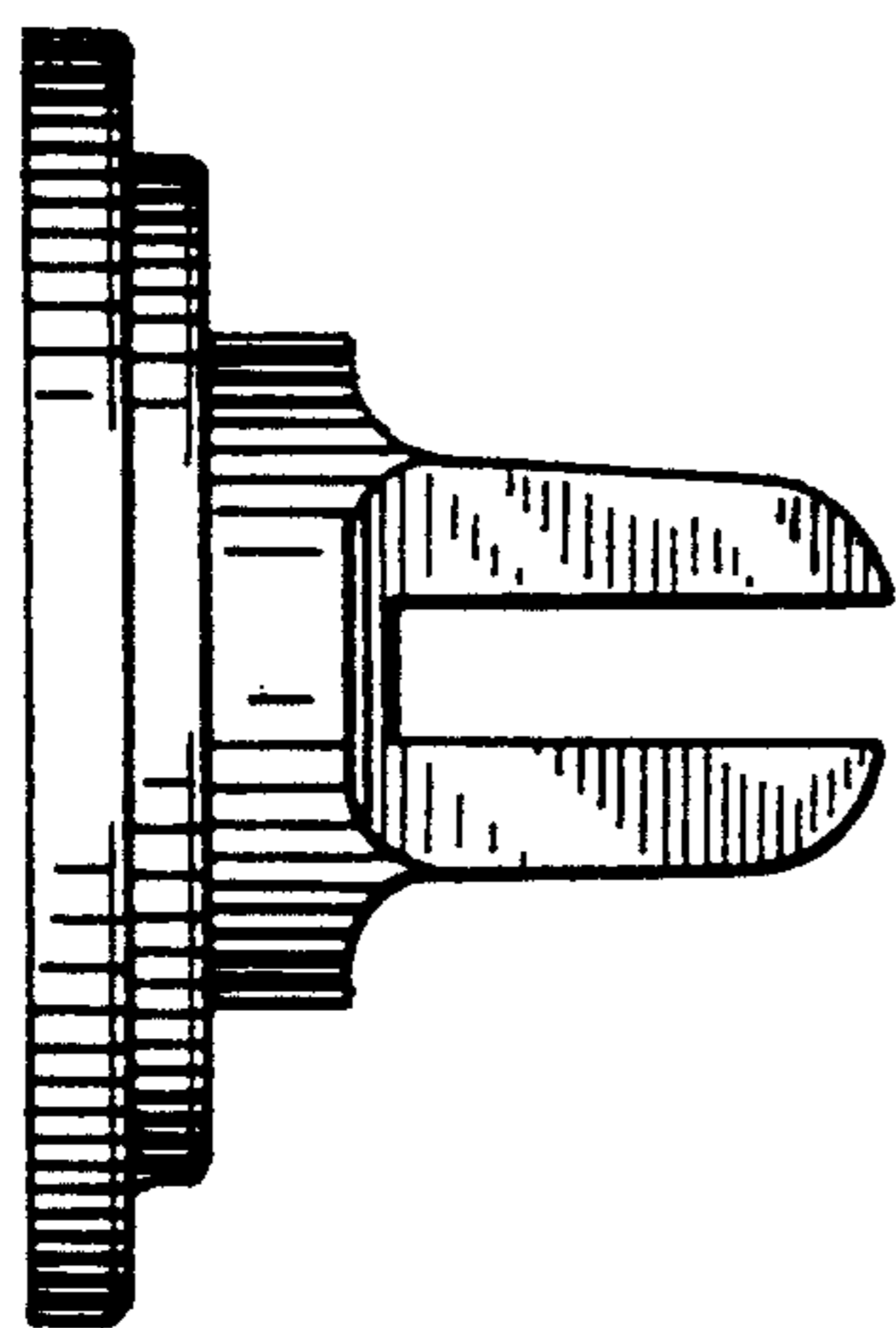


FIG. 3

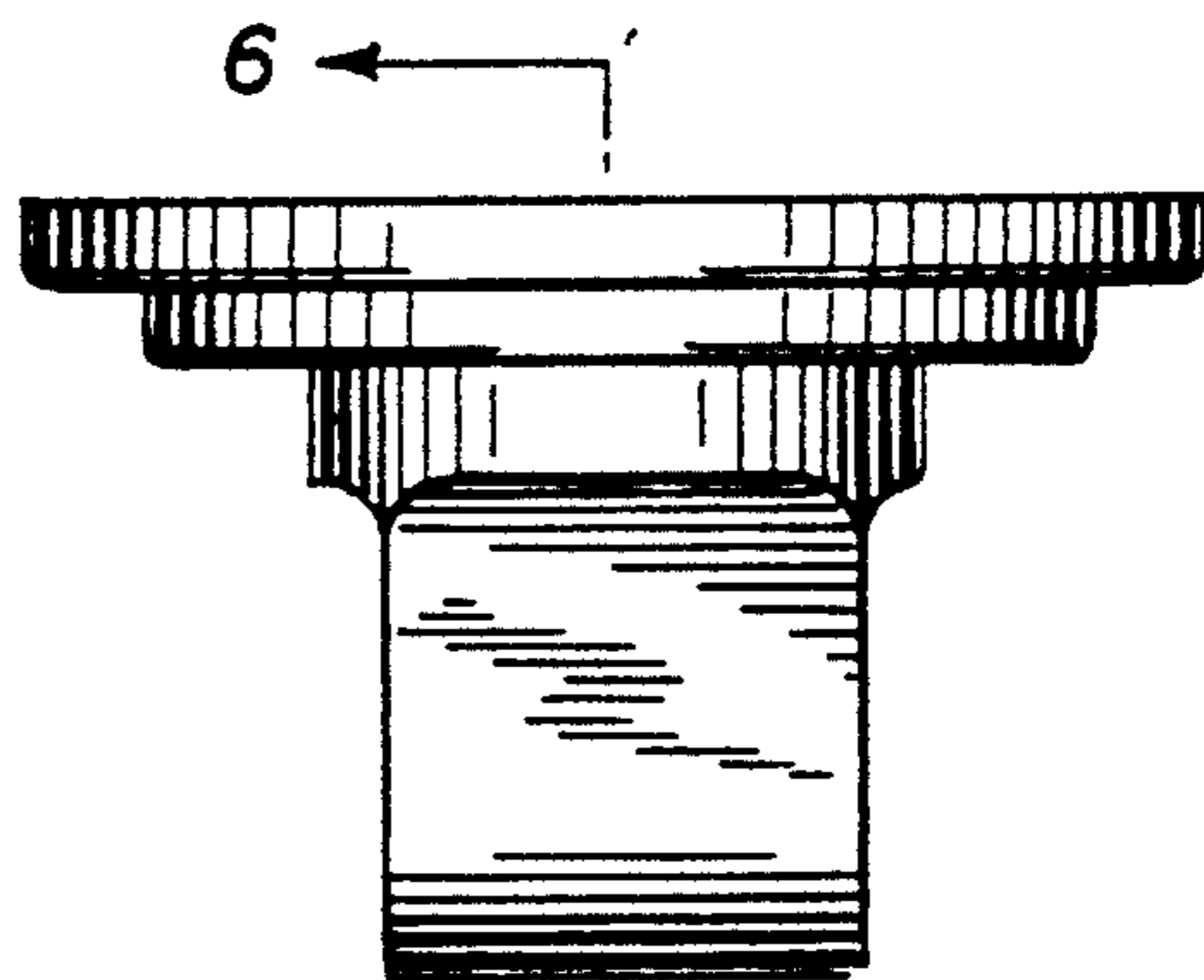


FIG. 4

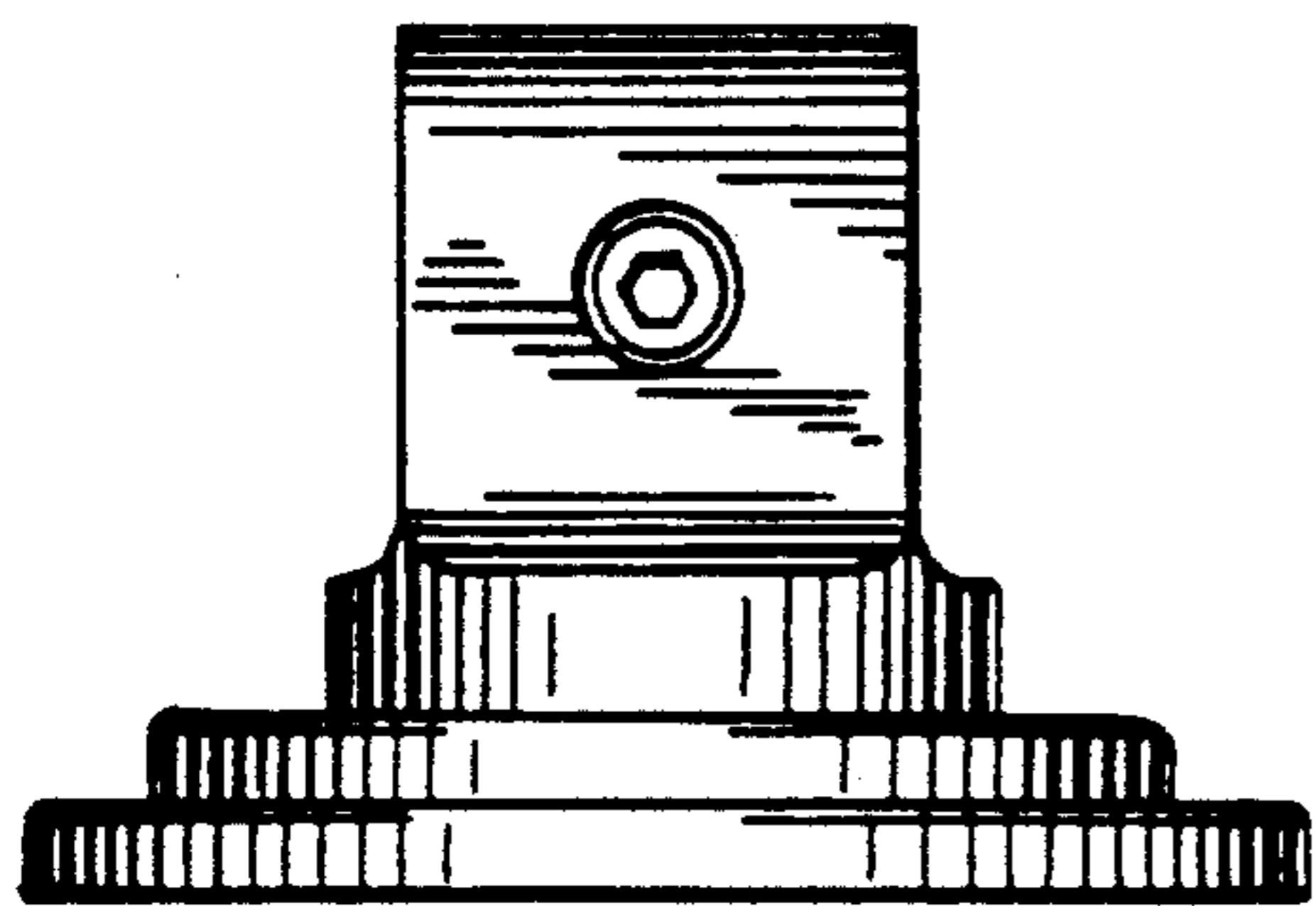


FIG. 5

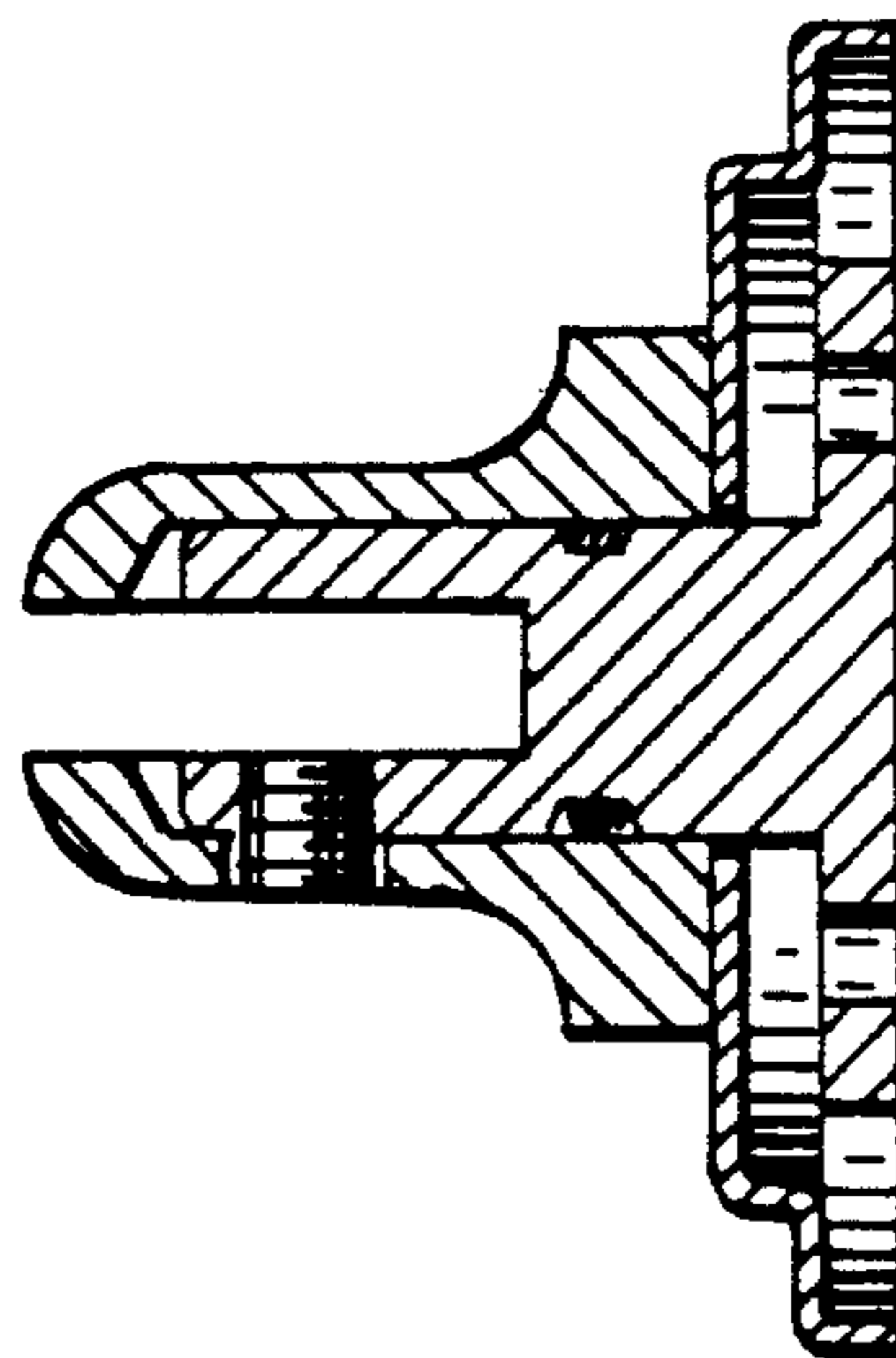


FIG. 6