



US00D335229S

United States Patent [19]

[11] Patent Number: **Des. 335,229**

Leonard

[45] Date of Patent: *** May 4, 1993**

[54] **STEREO STAND**

[76] Inventor: **Miranda Leonard**, Church Court
Condominiums, 492 Beacon St.,
Boston, Mass. 02115

[*] Notice: The portion of the term of this patent
subsequent to Sep. 1, 2006 has been
disclaimed.

[**] Term: **14 Years**

[21] Appl. No.: **533,043**

[22] Filed: **Jun. 4, 1990**

[52] U.S. Cl. **D6/469; D6/468;**
D6/477

[58] Field of Search **D6/396, 449, 455, 457,**
D6/460, 461, 462, 464, 465, 466, 467, 468, 469,
470-472, 477-479; 211/13, 187, 186, 188, 133,
126; 248/676; 108/106-108, 111

[56] **References Cited**

U.S. PATENT DOCUMENTS

- D. 149,205 4/1948 Newman D6/472 X
- D. 154,677 8/1949 Hawkins D6/470 X
- D. 157,024 1/1950 Bacco et al. D6/474 X
- D. 167,948 10/1952 McKenna D6/471
- D. 171,606 3/1954 MacAleese D6/470
- D. 174,700 5/1955 Magnuson et al. D6/474 X

- D. 229,652 12/1973 Brooke, Jr. D6/470
- D. 249,857 10/1978 Adkinson D6/477
- D. 264,787 6/1982 Savas D6/474
- D. 286,834 11/1986 Wilken D6/474 X

OTHER PUBLICATIONS

View Rite catalog dated Feb. 1986, floor fixtures, top of
page, item AX-2.

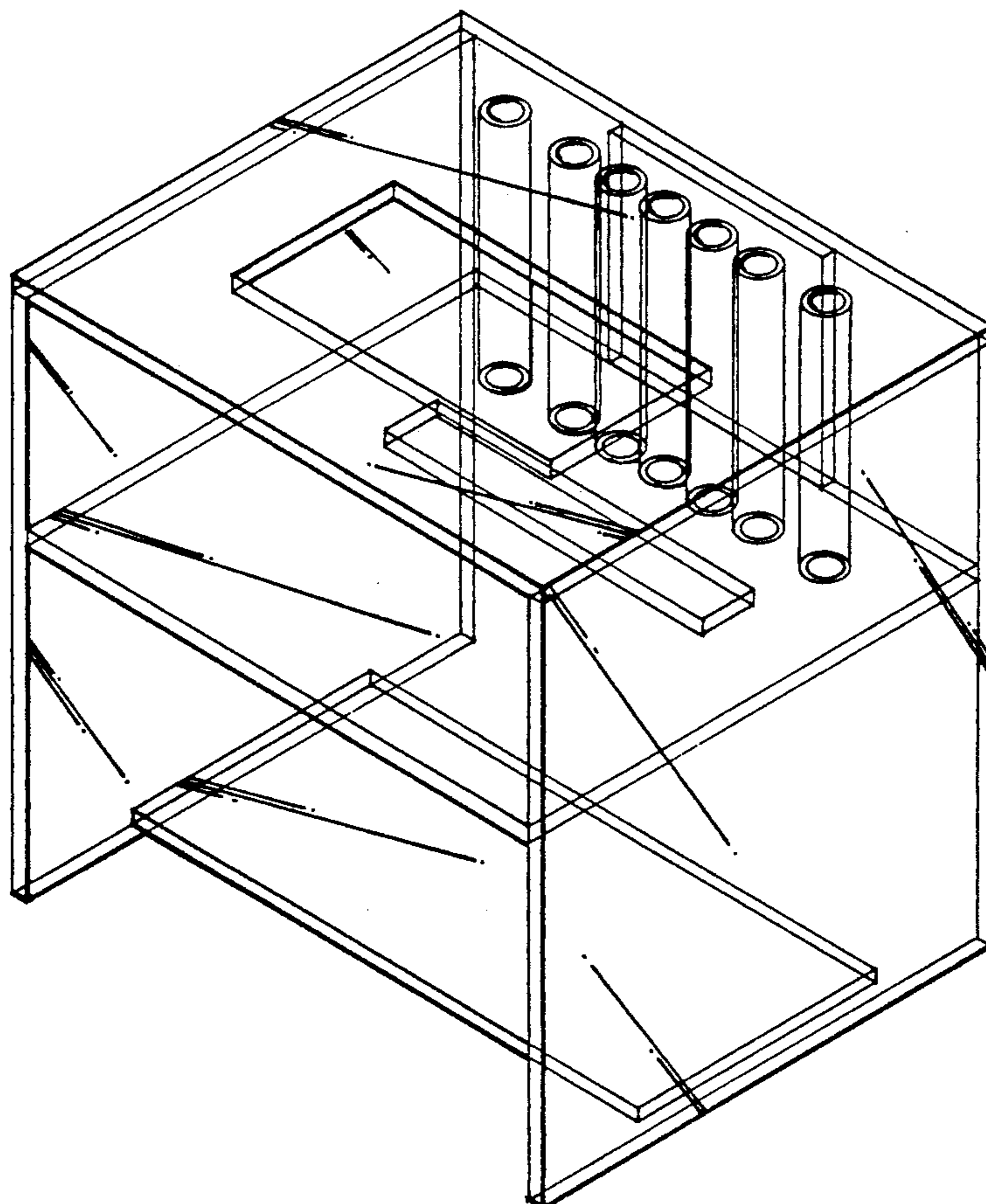
Primary Examiner—Alan P. Douglas
Assistant Examiner—Jeffrey Asch
Attorney, Agent, or Firm—Townsend and Townsend
Khourie and Crew

[57] **CLAIM**

The ornamental design for a stereo stand, as shown and
described.

DESCRIPTION

FIG. 1 is a perspective view of a stereo stand showing
my new design;
FIG. 2 is a top plan view thereof;
FIG. 3 is a bottom plan view thereof;
FIG. 4 is a front elevational view thereof;
FIG. 5 is a rear elevational view thereof;
FIG. 6 is a right side elevational view thereof; and,
FIG. 7 is a left side elevational view thereof.
FIGS. 2-7 have been shown on a reduced scale with
respect to FIG. 1.



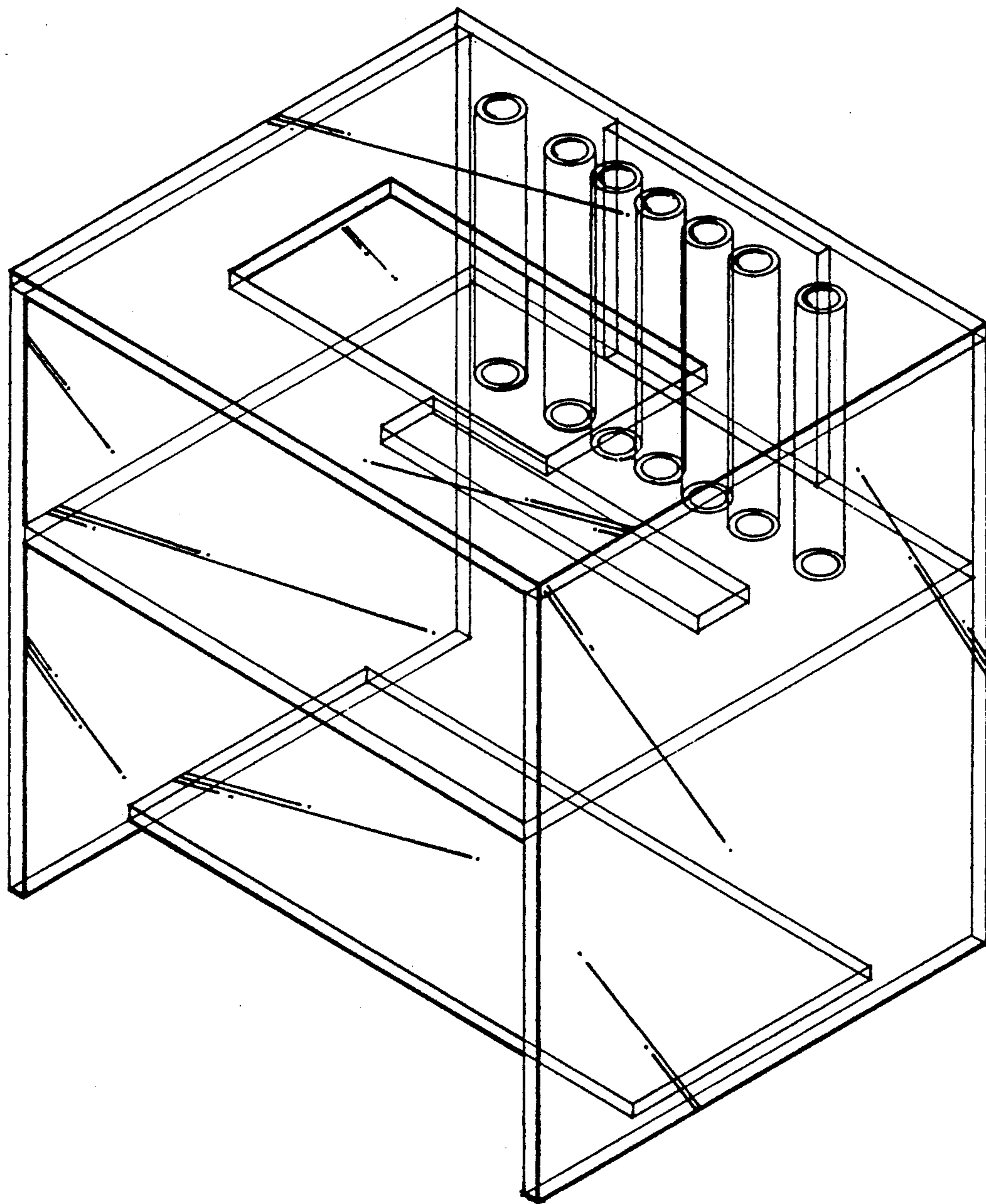


FIG. 1.

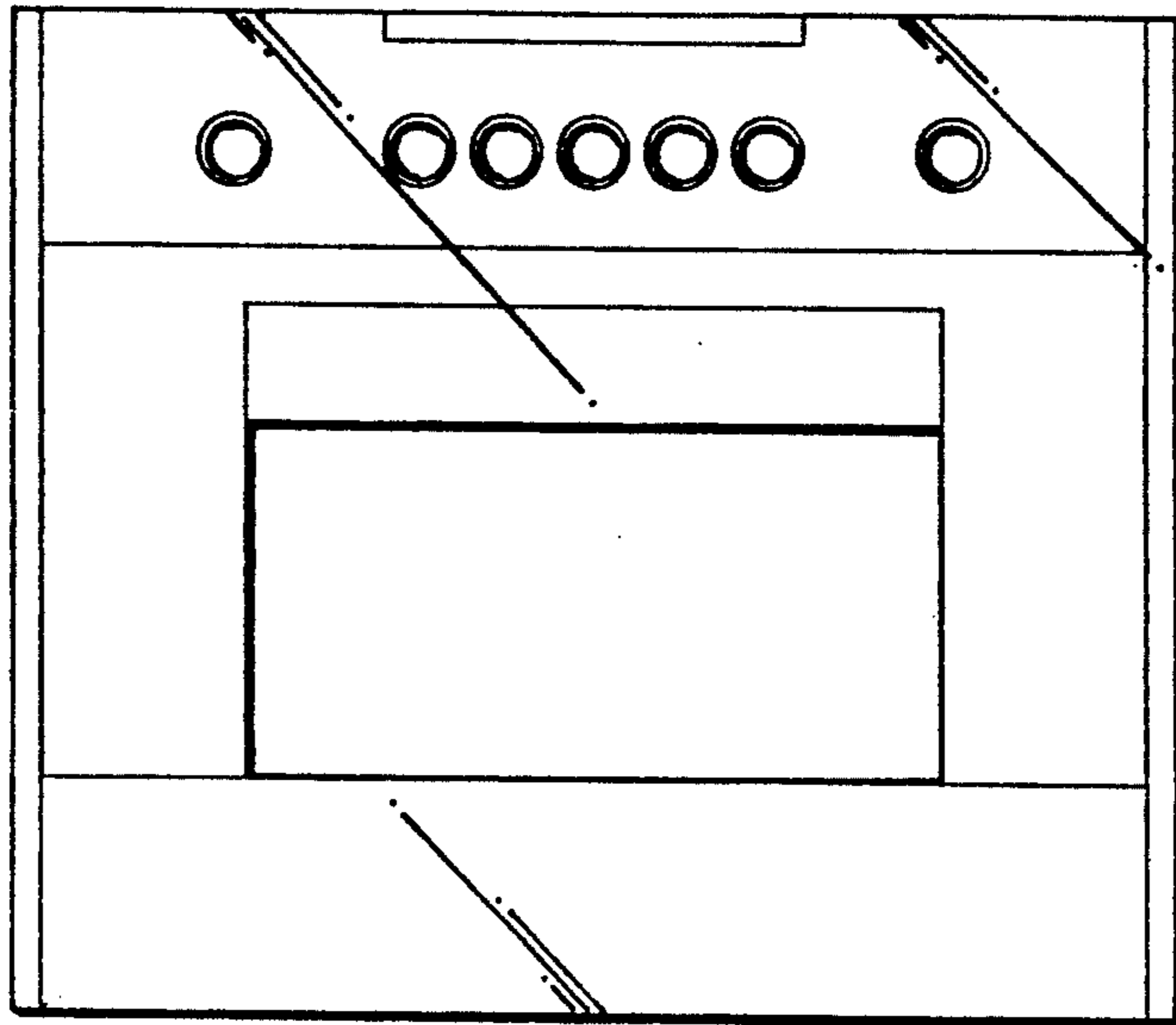


FIG. 2.

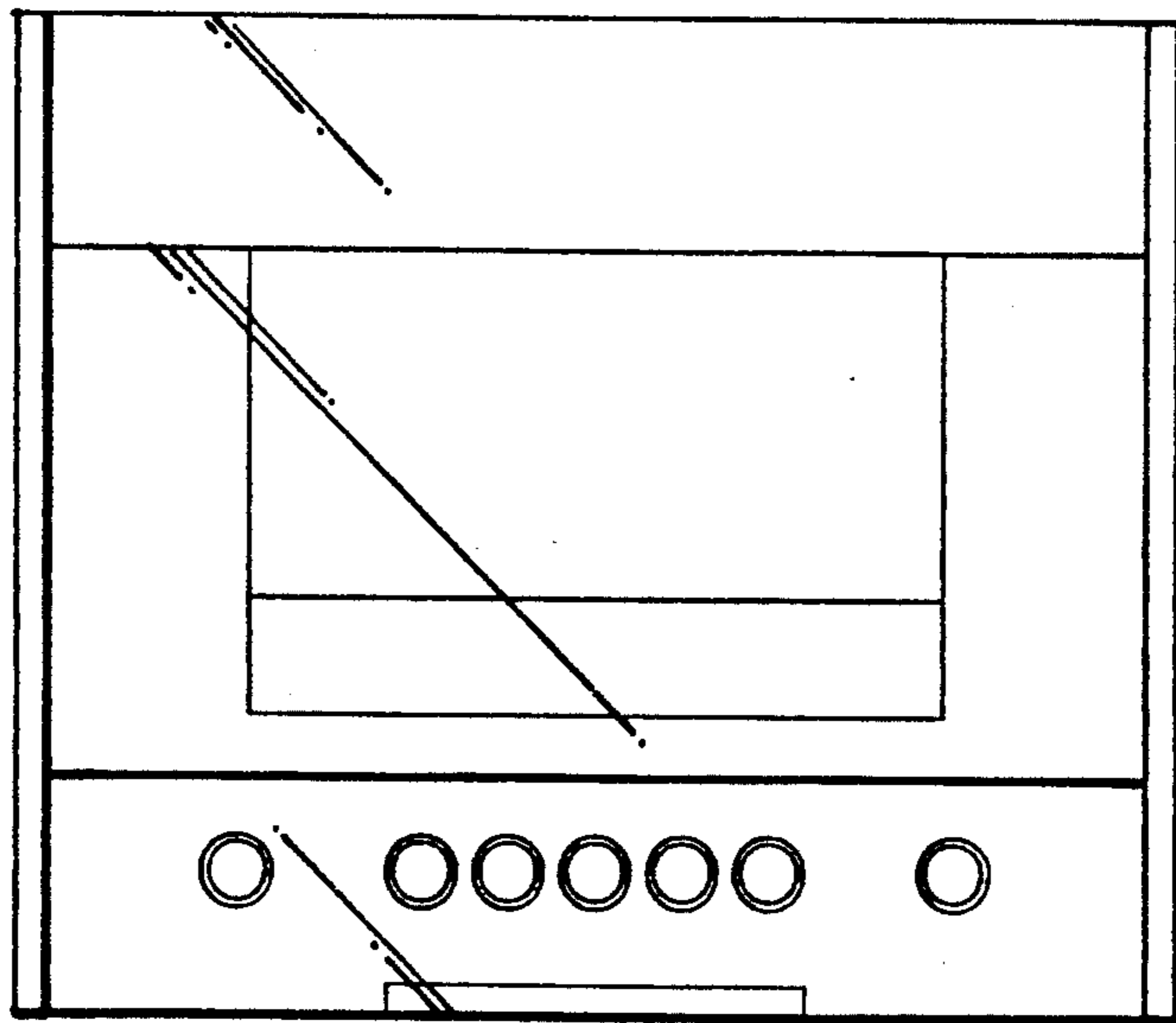


FIG. 3.

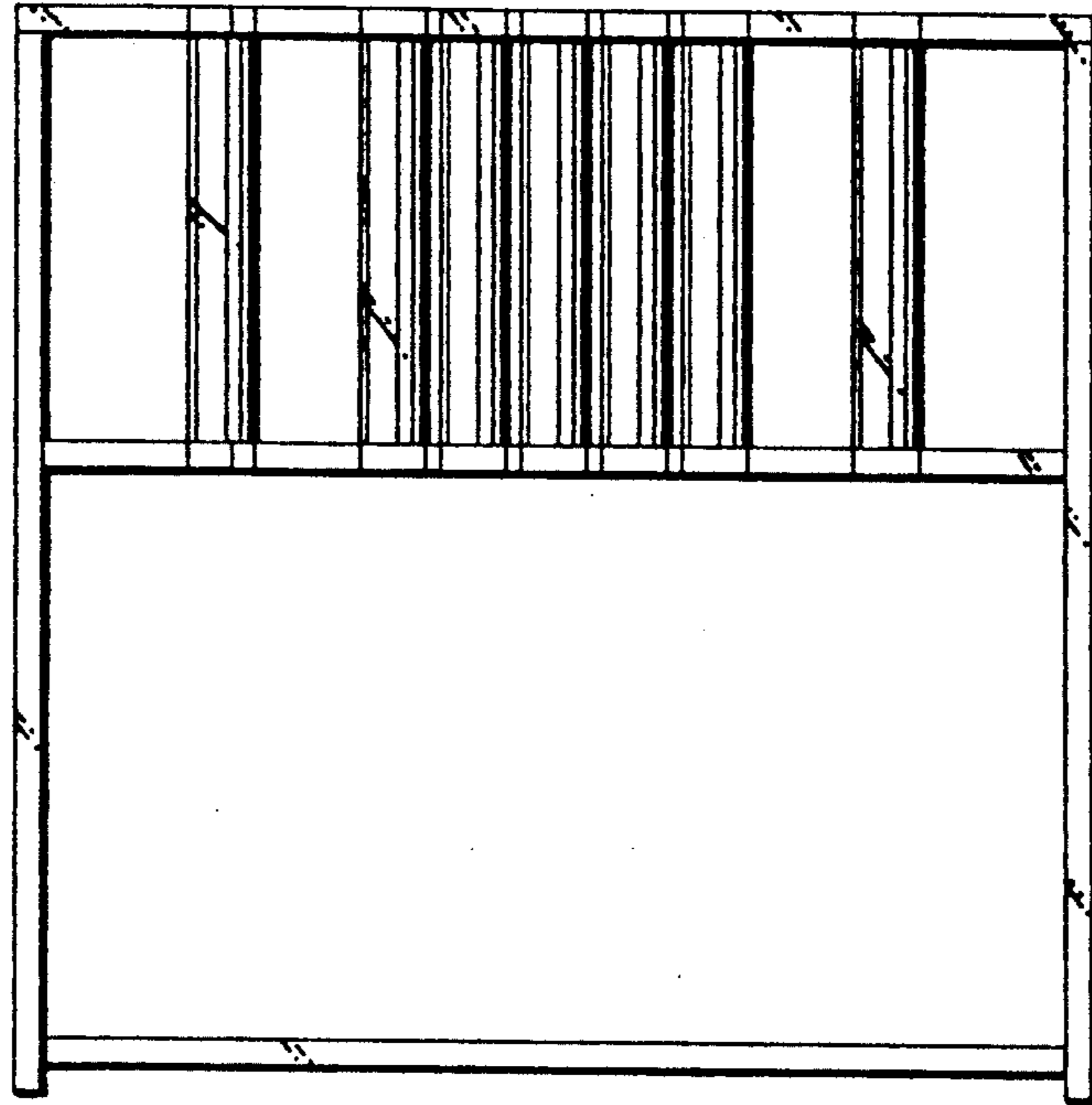


FIG. 4.

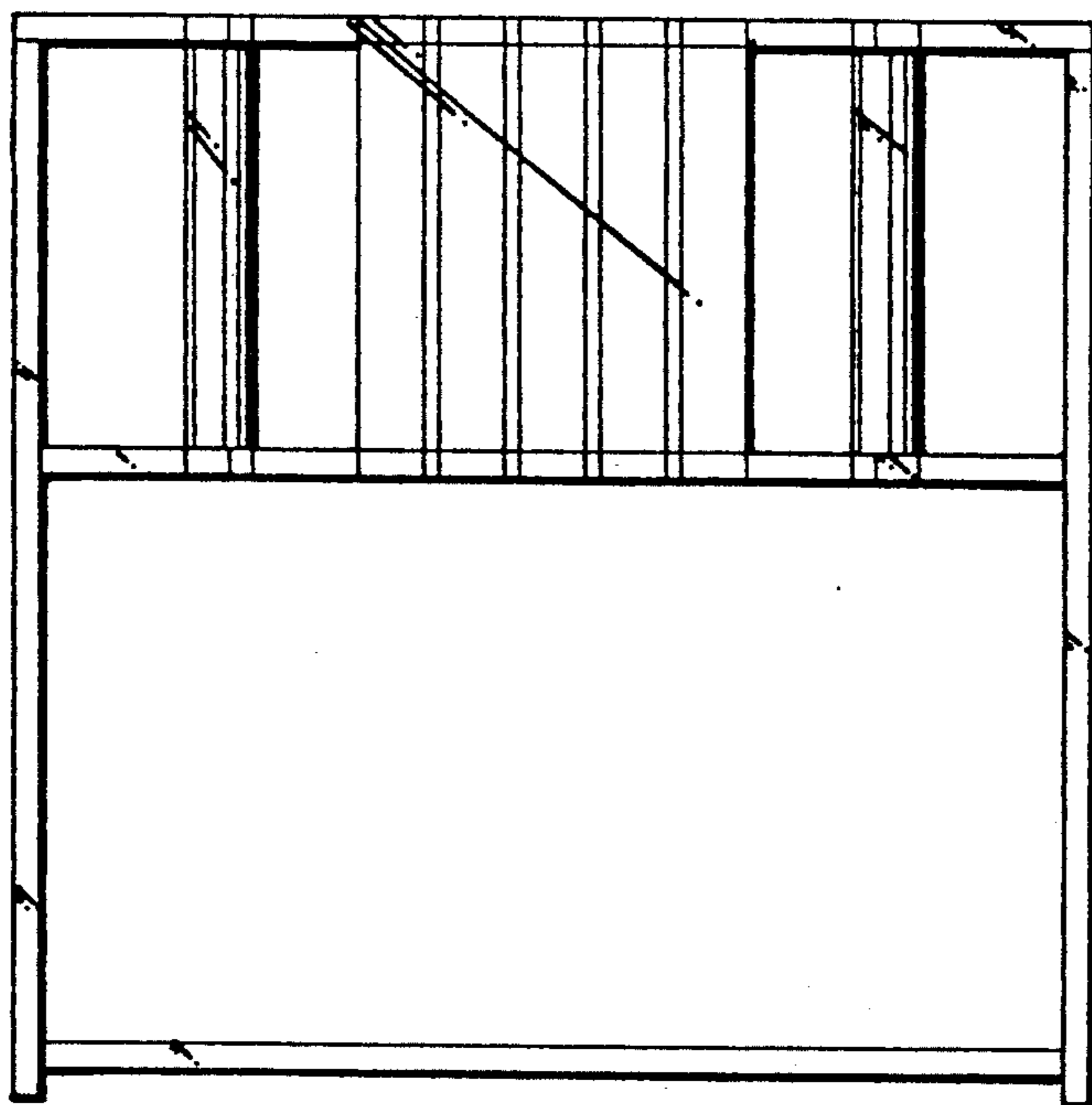


FIG. 5.

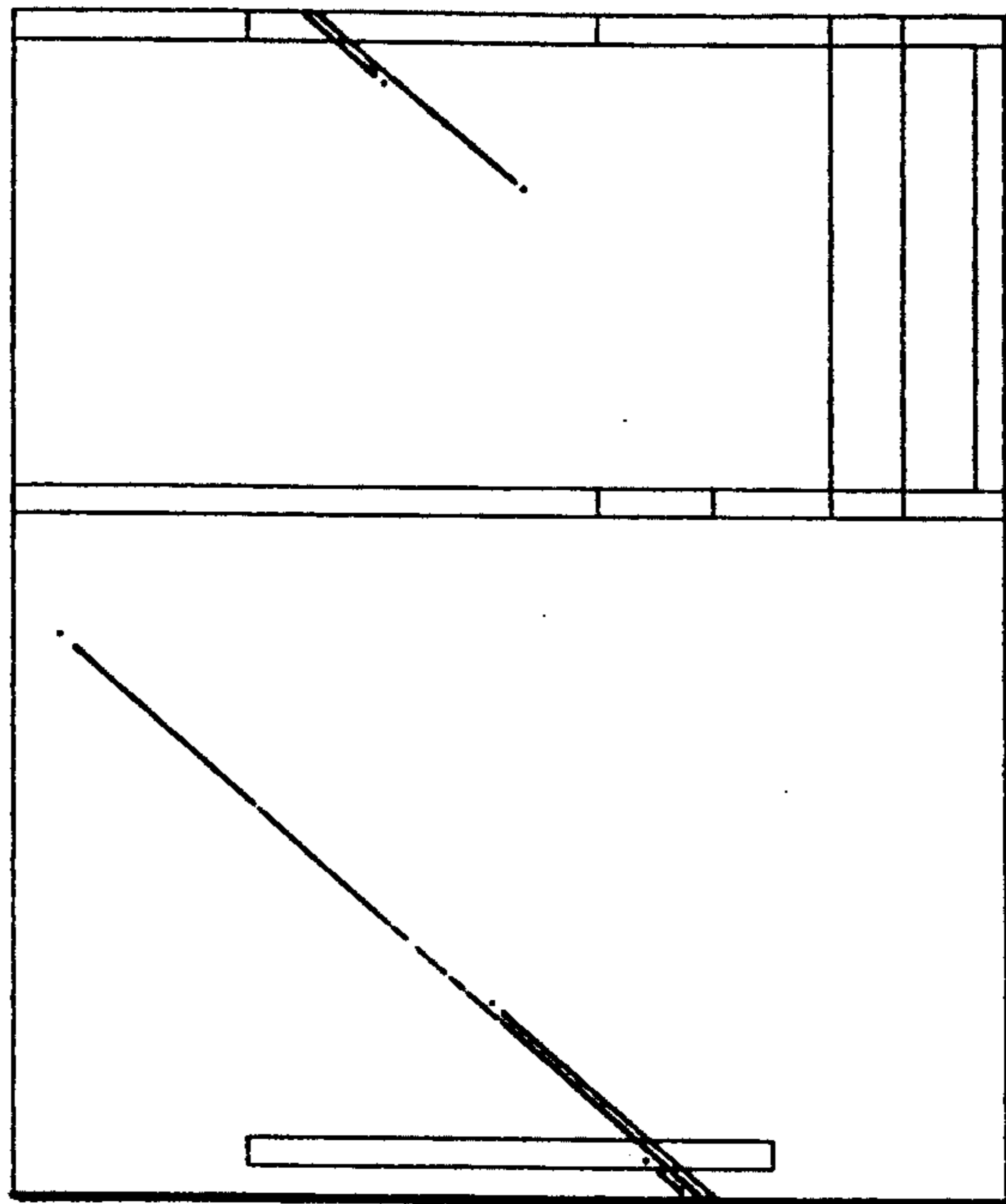


FIG. 6.

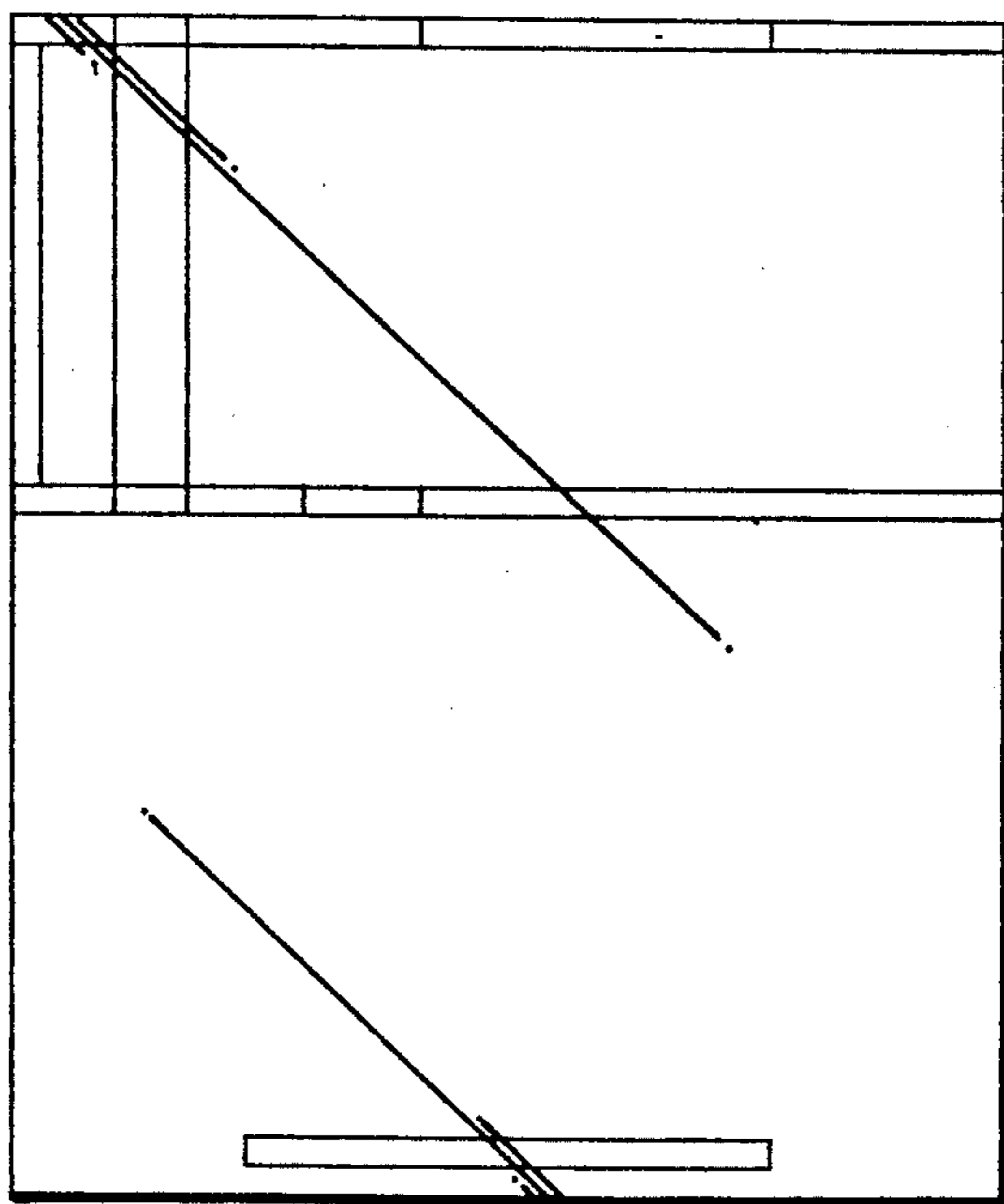


FIG. 7.