



US00D335227S

United States Patent [19]

[11] Patent Number: **Des. 335,227**

Lapsker et al.

[45] Date of Patent: **** May 4, 1993**

[54] **TELEPHONE STAND**

[75] Inventors: **Joshua Lapsker, Thornhill; Lawrie McIntosh, Mississauga, both of Canada**

[73] Assignee: **Starline Industries Inc., Concord, Canada**

[**] Term: **14 Years**

[21] Appl. No.: **886,742**

[22] Filed: **May 21, 1992**

[30] **Foreign Application Priority Data**

Dec. 6, 1991 [CA] Canada 612911

[52] U.S. Cl. **D6/449; D6/406; D14/142; D19/87**

[58] Field of Search **D6/396, 406, 449, 466, D6/475, 509-511, 429-431; D19/87, 92; D14/140, 142; D18/59; 248/637, 441.1, 447, 454, 460, 346; 211/13**

[56] **References Cited**

U.S. PATENT DOCUMENTS

- D. 112,512 12/1938 Best D6/449 X
- D. 112,944 1/1939 Holt D6/449
- D. 167,785 9/1952 Whitaker D6/466 X

- D. 173,761 12/1954 Meltzer D6/466 X
- D. 262,120 12/1981 Halm D19/87 X
- D. 279,441 7/1985 Fudala et al. D6/449 X
- D. 282,792 3/1986 Zinbarg D6/449 X
- D. 283,474 4/1986 Appel D6/449 X
- D. 288,876 3/1987 Goetz et al. D6/449
- D. 326,649 6/1992 Joffe et al. D14/142
- D. 329,058 9/1992 Sebald D6/449 X

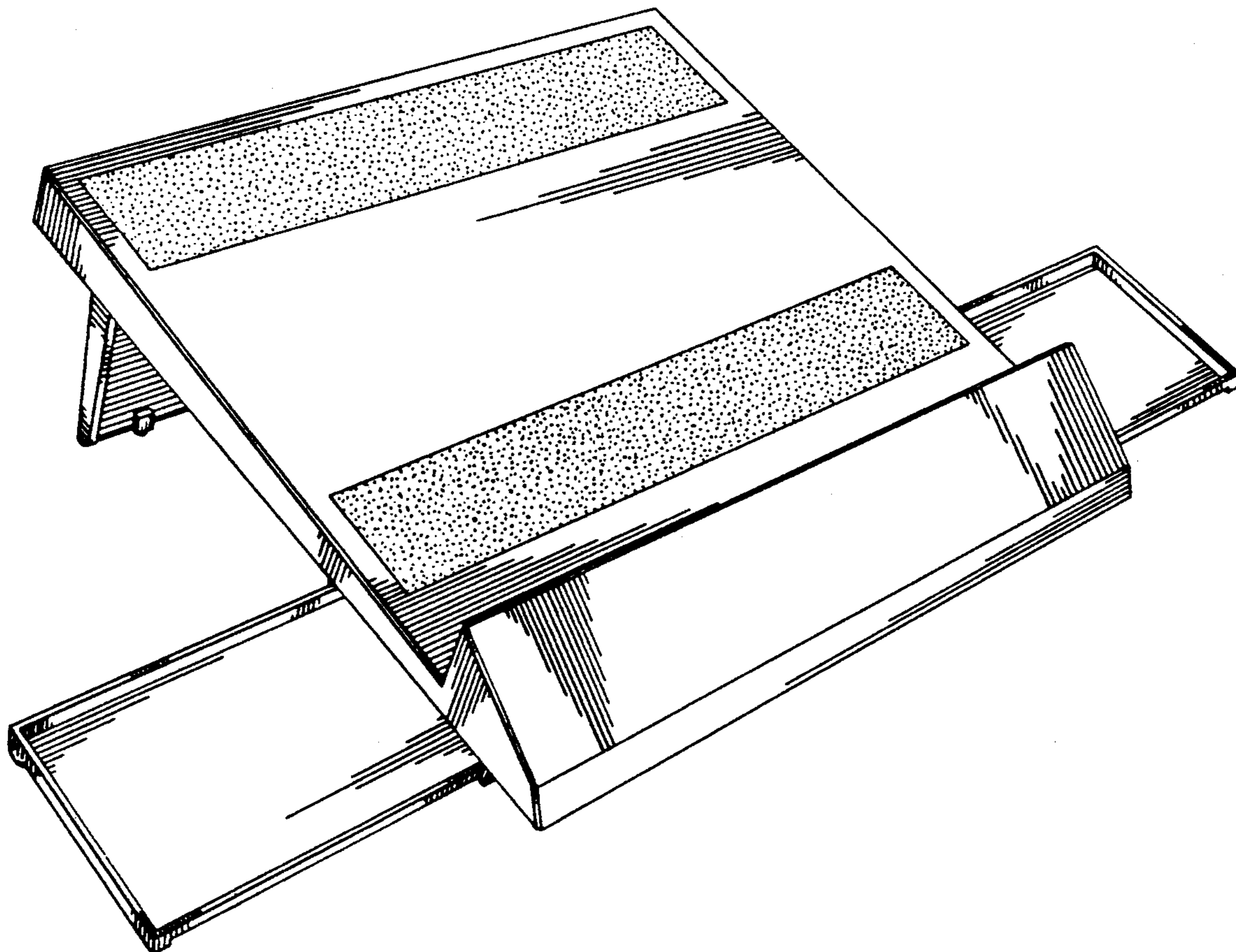
Primary Examiner—Alan P. Douglas
Assistant Examiner—Jeffrey Asch
Attorney, Agent, or Firm—Bachman & LaPointe

[57] **CLAIM**

The ornamental design for the telephone stand, as shown and described.

DESCRIPTION

FIG. 1 is a perspective view of a telephone stand in the erect configuration showing our new design;
 FIG. 2 is a side elevation of FIG. 1;
 FIG. 3 is a rear elevation of FIG. 1;
 FIG. 4 is a bottom plan of FIG. 1;
 FIG. 5 is a perspective view similar to FIG. 1 in the open configuration;
 FIG. 6 is a perspective view similar to FIG. 1 in the collapsed configuration;
 FIG. 7 is a front elevation of FIG. 1; and,
 FIG. 8 is a top plan of FIG. 1.



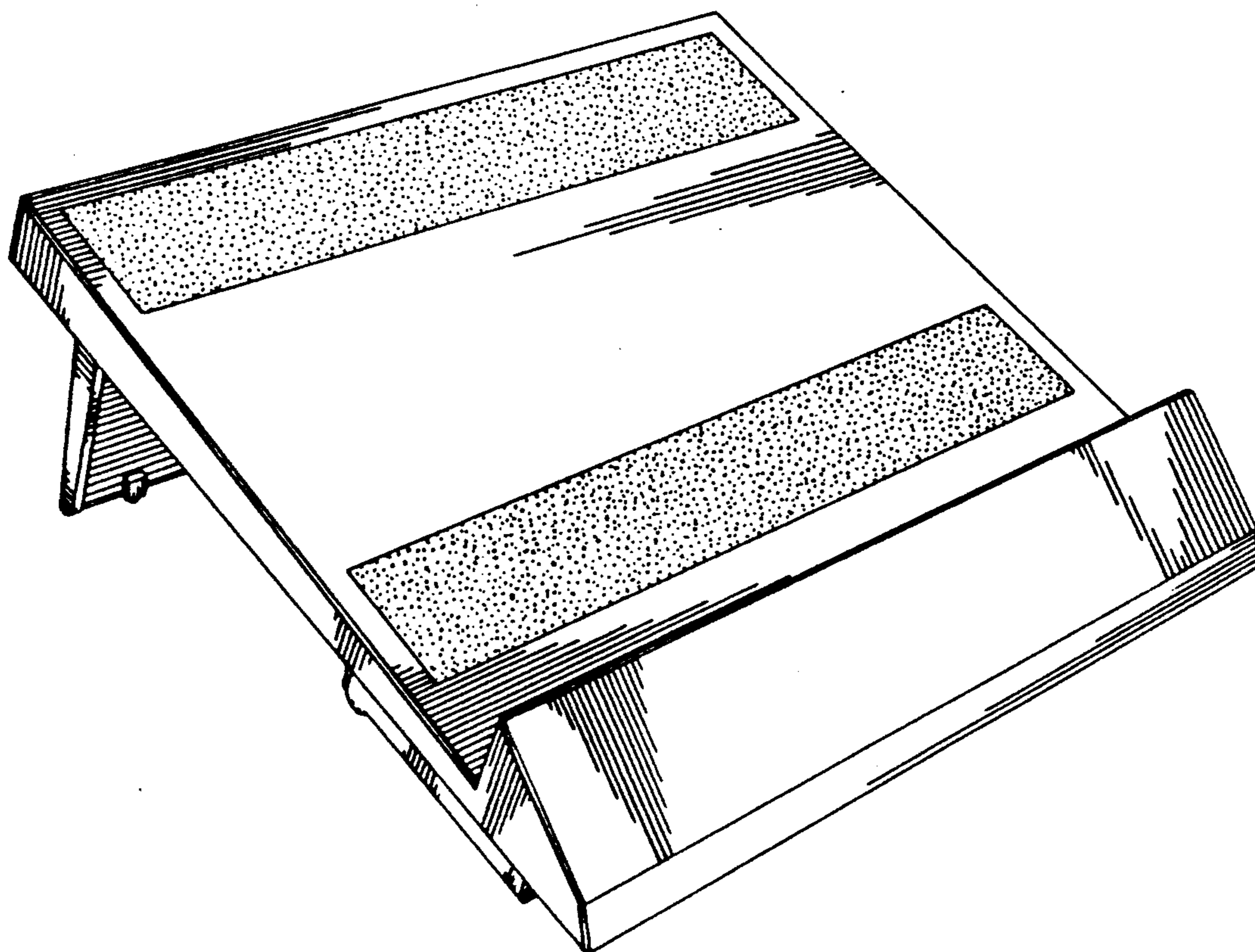


FIG. 1

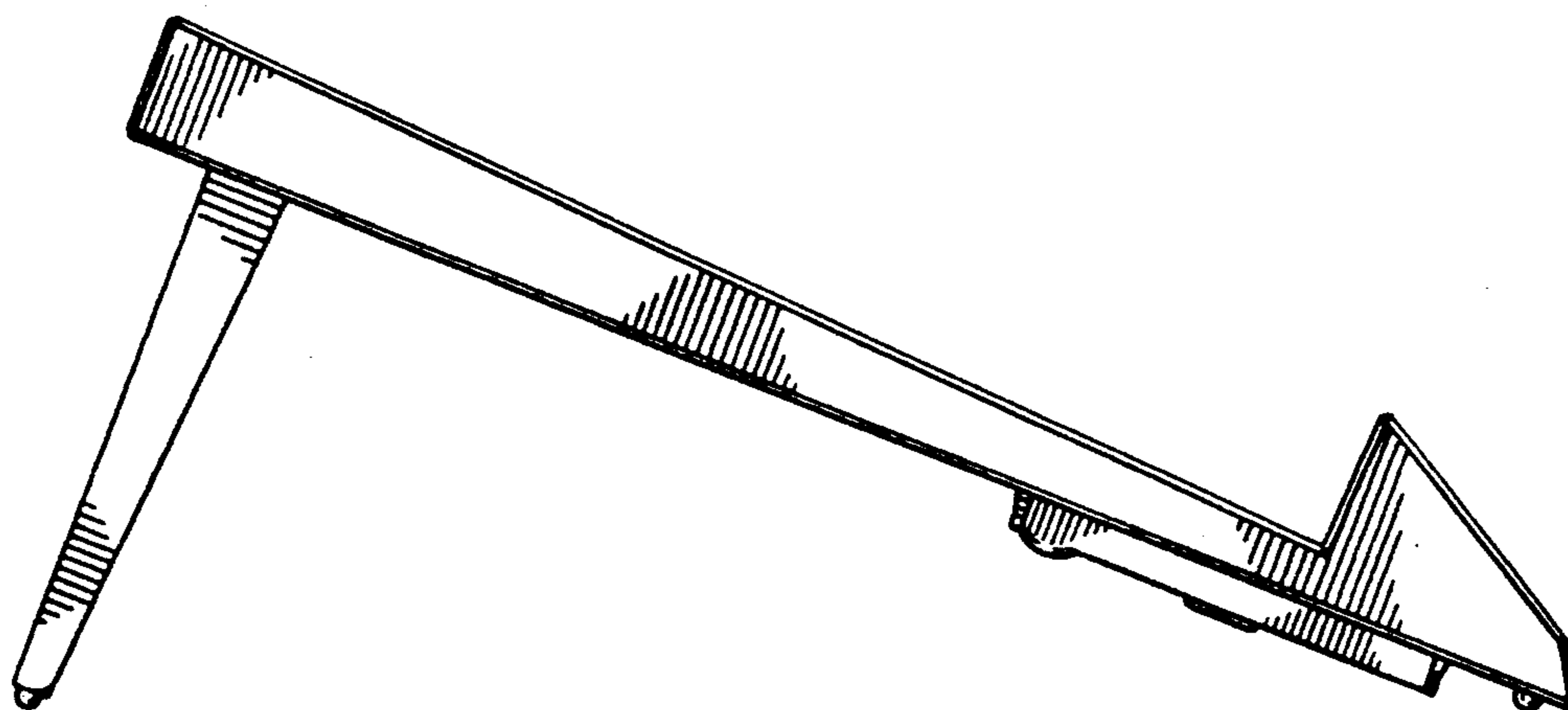


FIG. 2

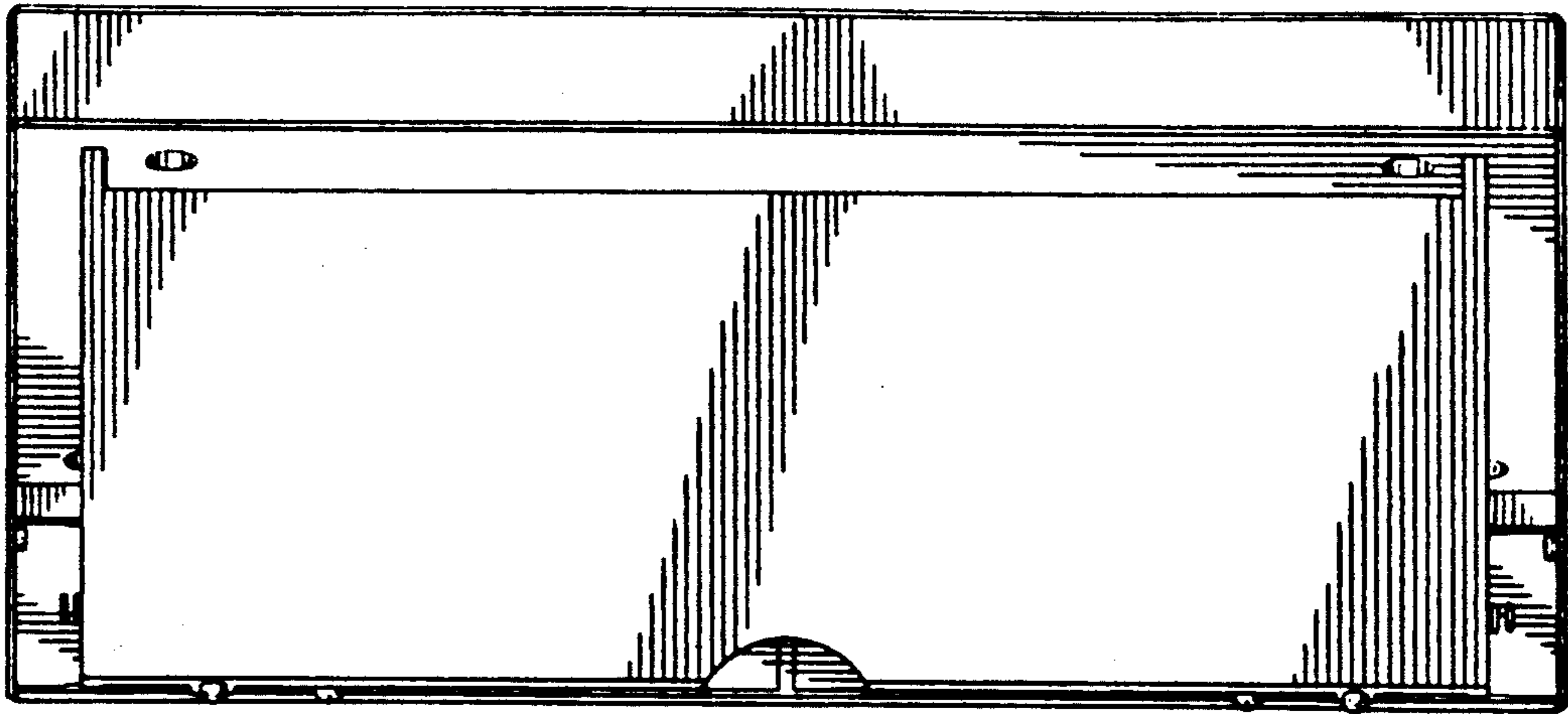


FIG. 3

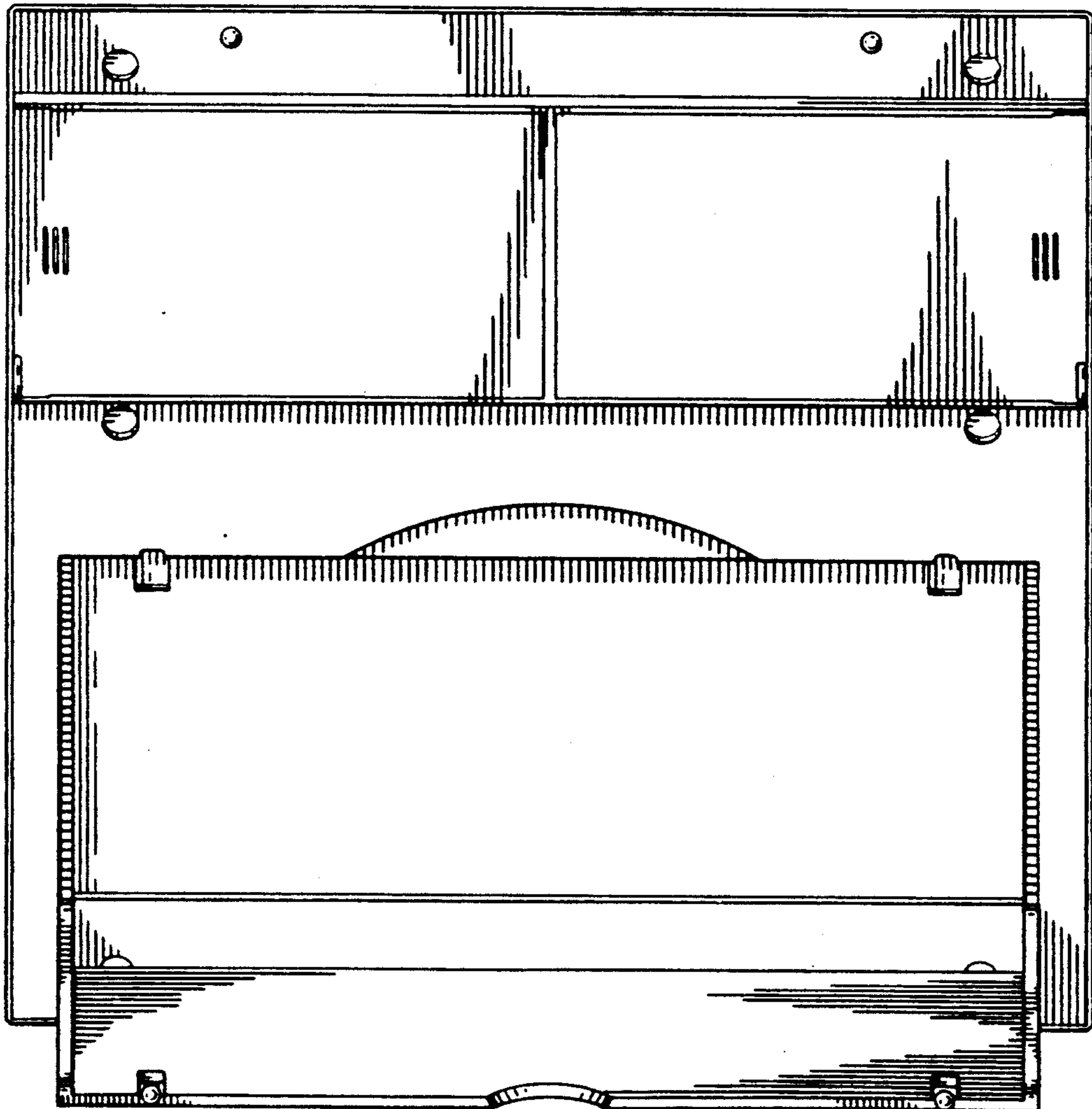


FIG. 4

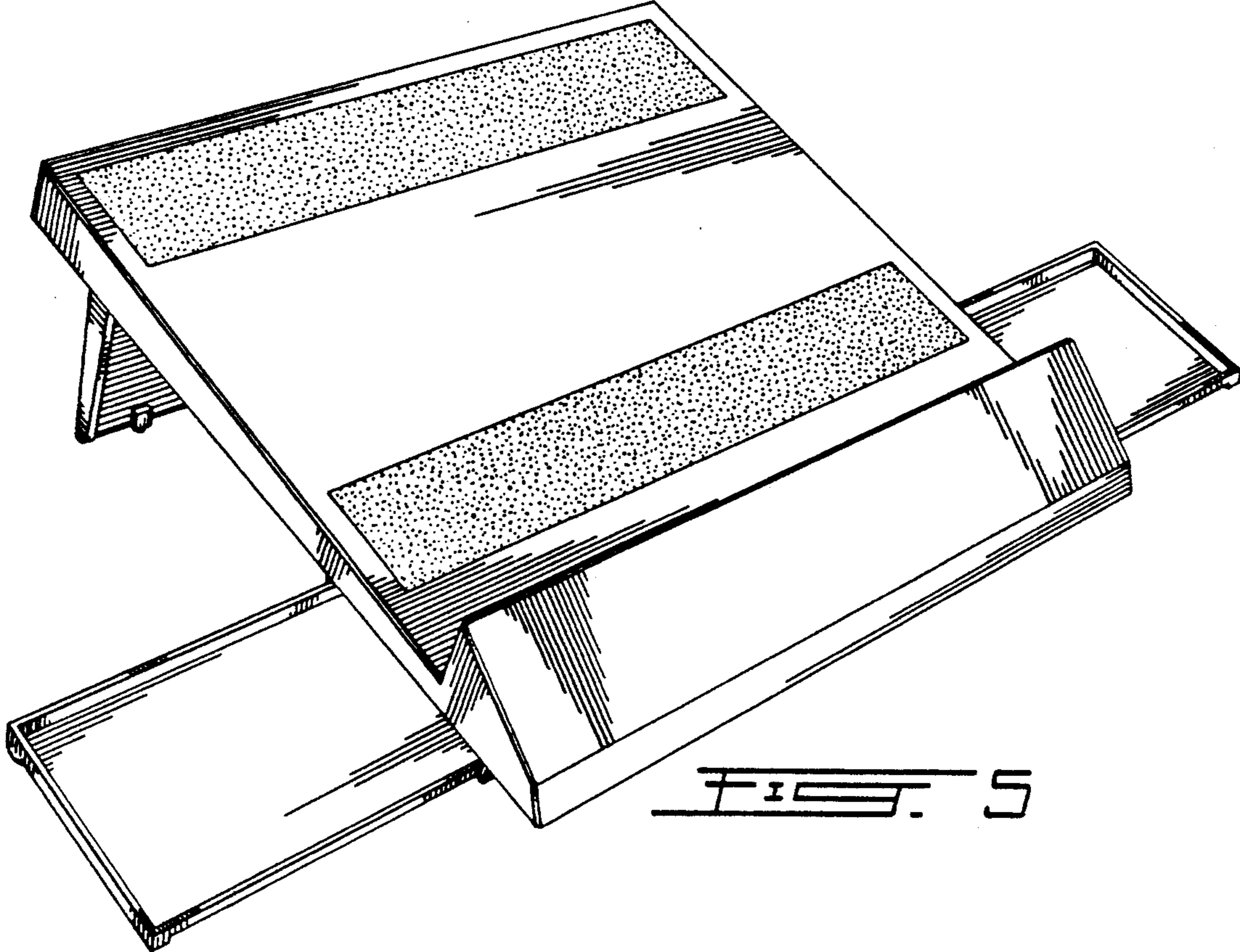


FIG. 5

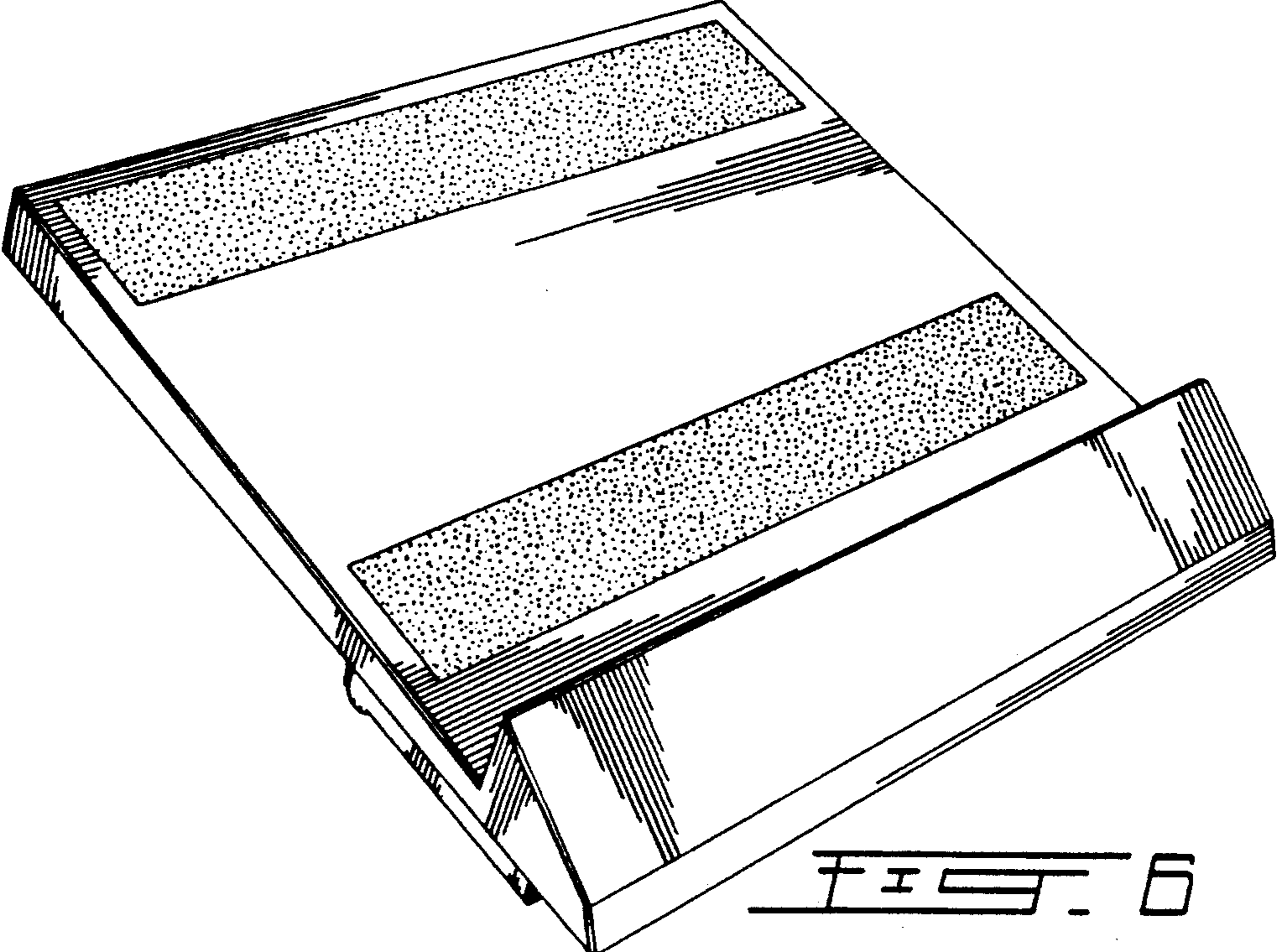


FIG. 6

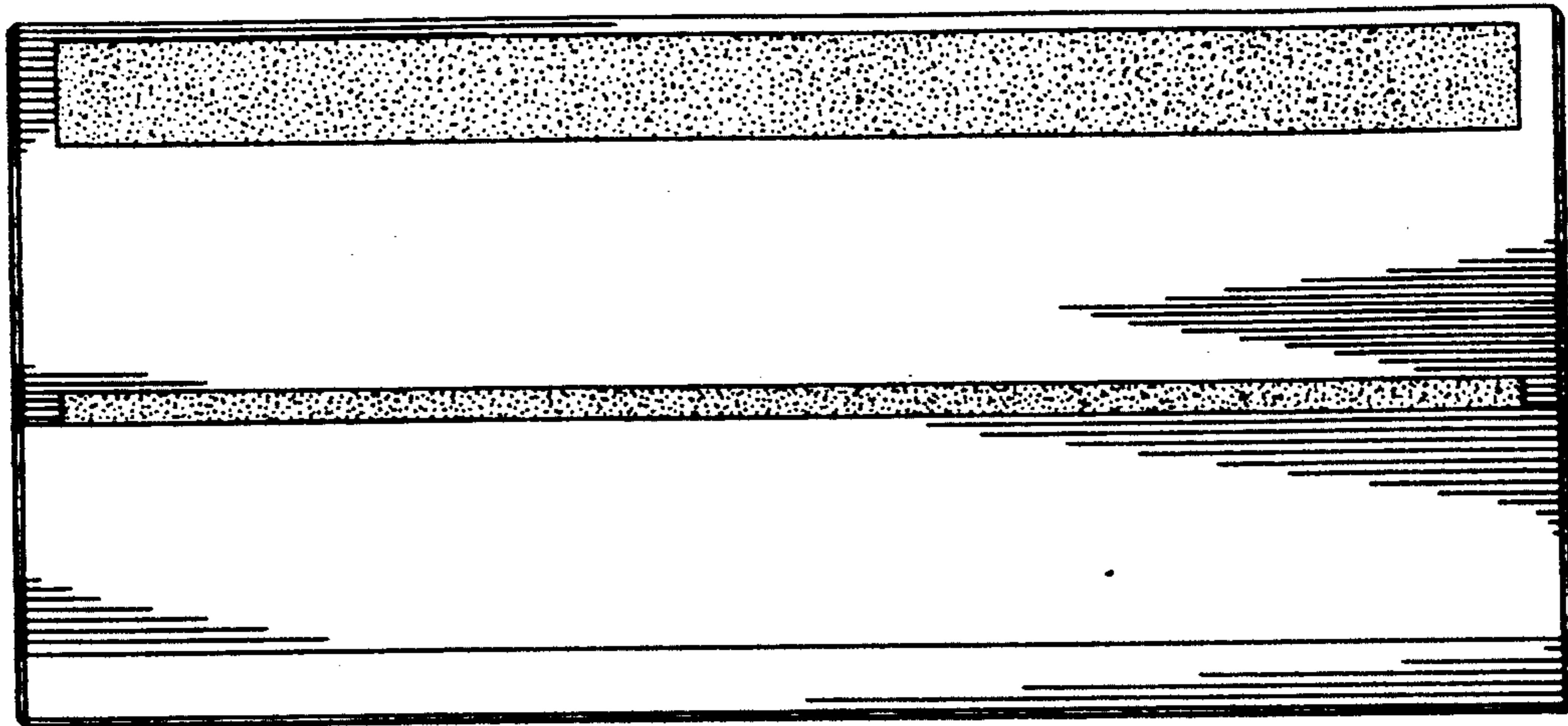


FIG. 7

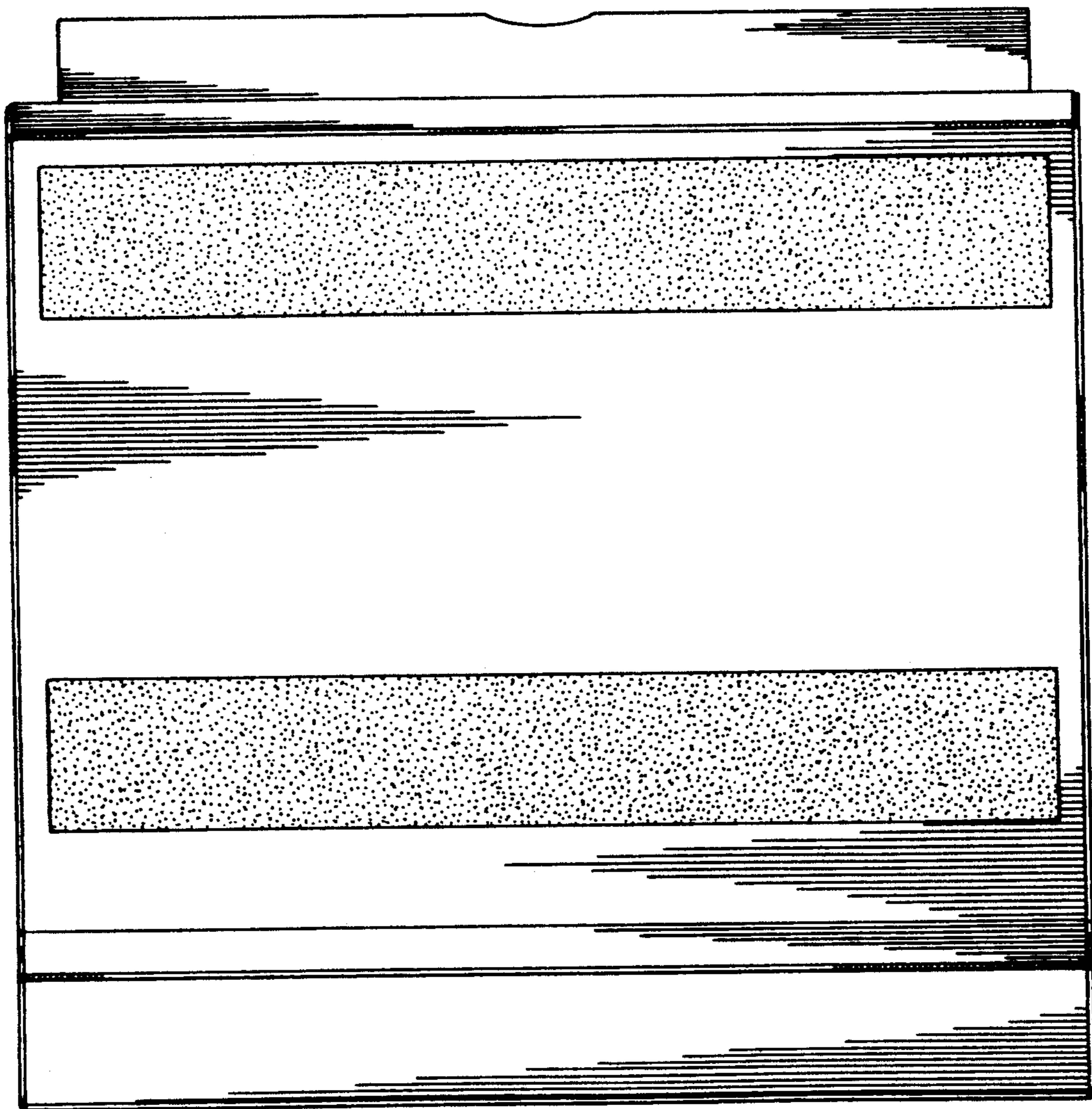


FIG. 8